



US00D405076S

United States Patent [19]

Ahearn et al.

[11] Patent Number: Des. 405,076

[45] Date of Patent: **Feb. 2, 1999

[54] **HAND HELD OPTICAL SCANNER**

[75] Inventors: **Kevin John Ahearn**, Matthews;
Lawrence R. Ober, Charlotte, both of
N.C.; **Danny M. Beadle**, Mission Viejo;
Gerald A. Wines, Santa Ana, both of
Calif.

[73] Assignee: **Hand Held Products, Inc.**, Charlotte,
N.C.

[**] Term: **14 Years**

[21] Appl. No.: **51,902**

[22] Filed: **Mar. 19, 1996**

Related U.S. Application Data

[63] Continuation of Ser. No. 45,177, Oct. 11, 1995, abandoned,
and a continuation-in-part of Ser. No. 44,068, Sep. 15, 1995,
abandoned.

[51] **LOC (6) Cl.** **14-02**

[52] **U.S. Cl.** **D14/116**

[58] **Field of Search** D14/100, 107,
D14/114, 116; D19/41-51; 235/375, 378,
385, 454, 462, 472, 486; 382/312-15, 321,
318-9; 250/203.1, 216; D26/37, 45, 50

[56] **References Cited**

U.S. PATENT DOCUMENTS

- D. 248,946 8/1978 Koenig .
- D. 274,249 6/1984 Polhemus .
- D. 293,795 1/1988 Yamamoto .
- D. 297,430 8/1988 Beard et al. .
- D. 297,431 8/1988 Beard et al. .
- D. 297,432 8/1988 Stant et al. .
- D. 308,865 6/1990 Weaver et al. .
- D. 315,901 4/1991 Knowles .
- D. 319,228 8/1991 Mori et al. D14/116
- D. 331,576 12/1992 Yamanaka .
- D. 340,034 10/1993 Hofstetter et al. .
- D. 340,707 10/1993 Swartz .
- D. 341,584 11/1993 Shepard et al. .
- D. 341,838 11/1993 Kasch et al. .
- D. 342,256 12/1993 Payne et al. .
- D. 351,151 10/1994 Park et al. D14/116

- D. 352,704 11/1994 Etoh .
- D. 352,935 11/1994 Etoh .
- D. 352,939 11/1994 Karlin D14/116
- D. 353,134 12/1994 Etoh .
- D. 359,040 6/1995 Nakamura et al. D14/116
- D. 361,564 8/1995 Inaba D14/116
- D. 363,287 10/1995 Laituri .
- D. 366,043 1/1996 Hara et al. .
- D. 366,044 1/1996 Hara et al. .
- D. 366,876 2/1996 Labohm .
- D. 367,060 2/1996 Augaitis et al. .
- D. 383,124 9/1997 Lanzaro et al. D14/116
- 4,335,303 6/1982 Call .
- 4,570,057 2/1986 Chadima, Jr. et al. .
- 4,694,182 9/1987 Howard .
- 4,801,786 1/1989 Stobbe .
- 4,818,847 4/1989 Hara et al. .
- 4,818,856 4/1989 Matsushima et al. .

(List continued on next page.)

FOREIGN PATENT DOCUMENTS

11373/89 4/1991 Japan .

OTHER PUBLICATIONS

Telxon Puts New Spin on Handheld Computers, Technology
Update, Mar. 12, 1996.

Welcome to Symbol Technologies, Inc., Mar. 12, 1996.

Primary Examiner—M. H. Tung
Attorney, Agent, or Firm—Bell Seltzer Intellectual Property
Law Group of Alston & Bird LLP

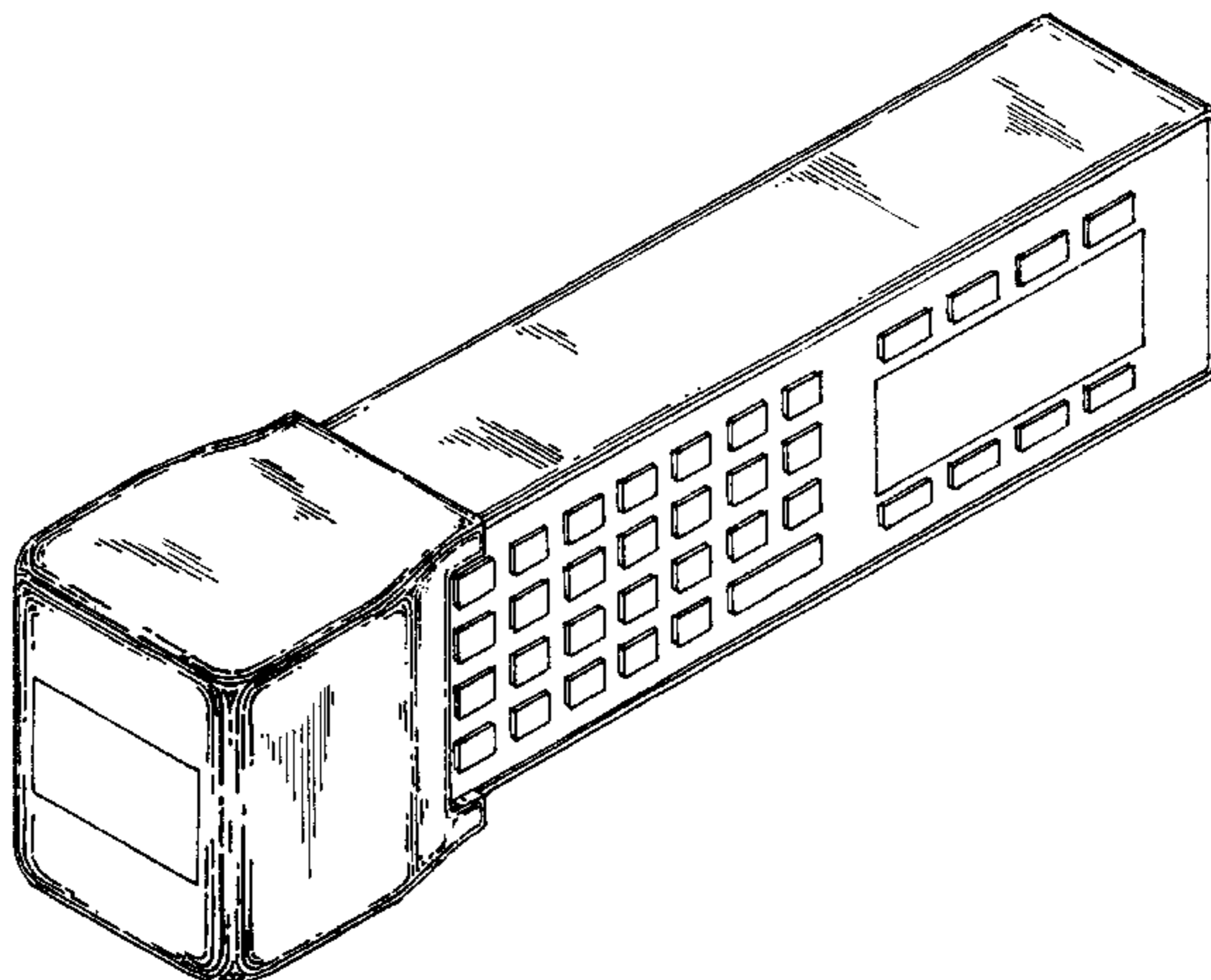
[57] **CLAIM**

The ornamental design for a hand held optical scanner, as
shown and described.

DESCRIPTION

FIG. 1 is a perspective view of a hand held optical scanner
showing our new design;
FIG. 2 is a left side elevational view thereof, the right side
being a mirror image thereof;
FIG. 3 is a top plan view thereof;
FIG. 4 is a bottom plan view thereof;
FIG. 5 is a front elevational view thereof; and,
FIG. 6 is a rear elevational view thereof.

1 Claim, 2 Drawing Sheets



Des. 405,076

Page 2

U.S. PATENT DOCUMENTS

4,841,129	6/1989	Tawara et al. .	5,281,801	1/1994	Shepard et al. .
4,930,848	6/1990	Knowles .	5,288,984	2/1994	Ino et al. .
5,081,343	1/1992	Chadima, Jr. et al. .	5,288,985	2/1994	Chadima, Jr. et al. .
5,187,354	2/1993	Bengtsson .	5,291,009	3/1994	Roustaei .
5,237,162	8/1993	Harden et al. .	5,424,525	6/1995	Rockstein et al. .
5,264,956	11/1993	Tzu-Chin .	5,430,284	7/1995	Numazaki .
			5,477,042	12/1995	Wang .
			5,489,770	2/1996	Kadota et al. .

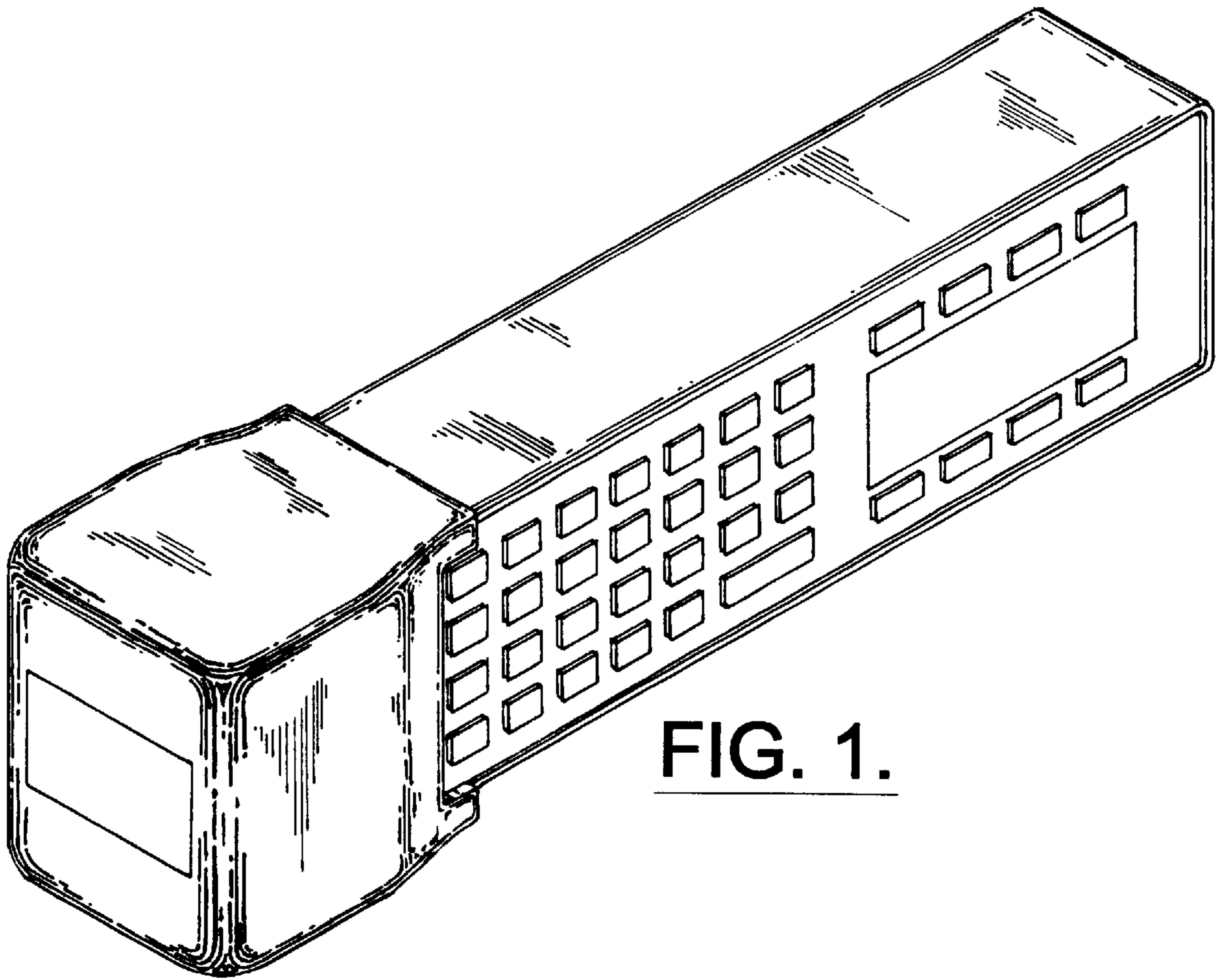


FIG. 1.

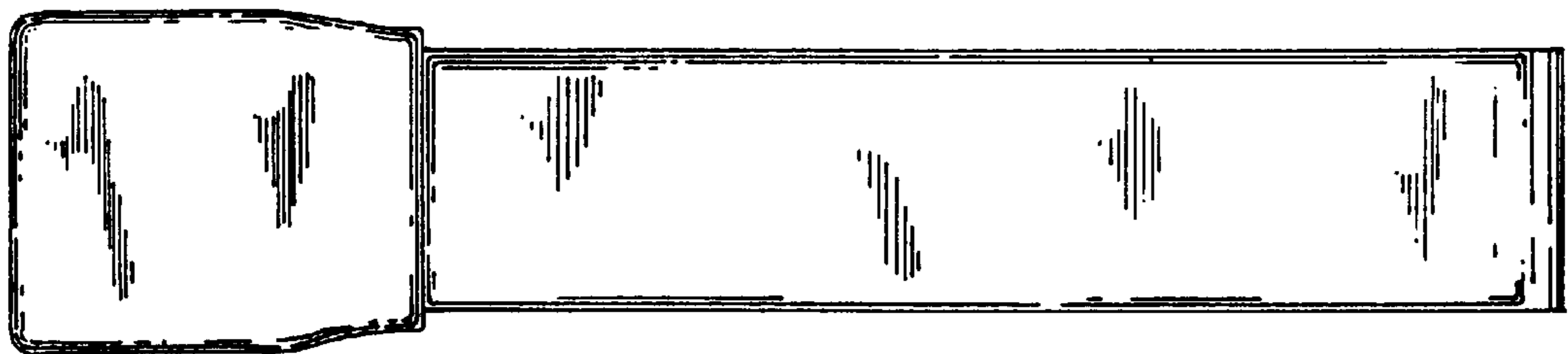


FIG. 2.

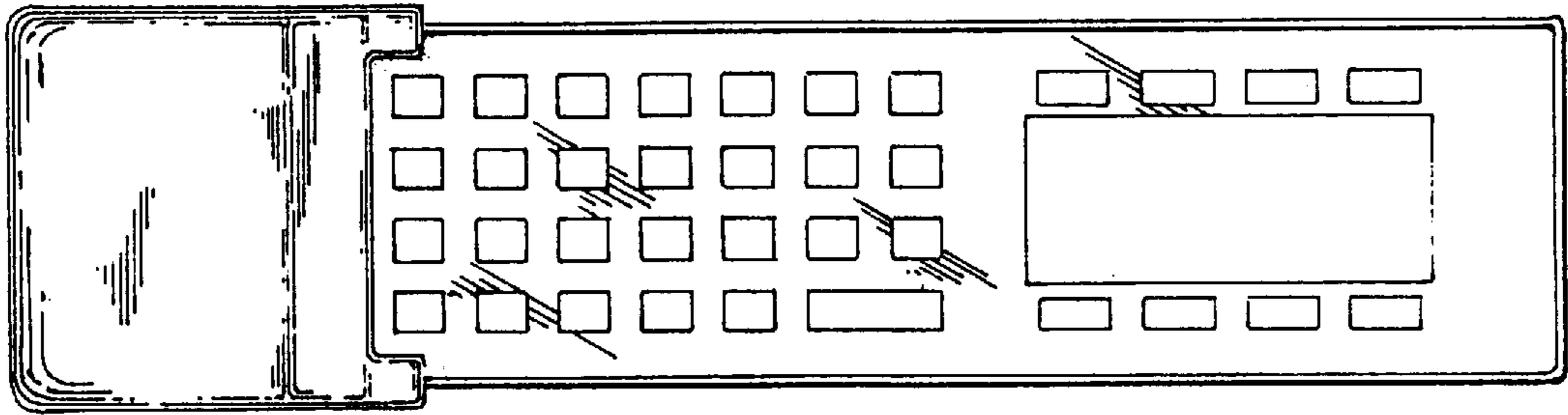


FIG. 3.

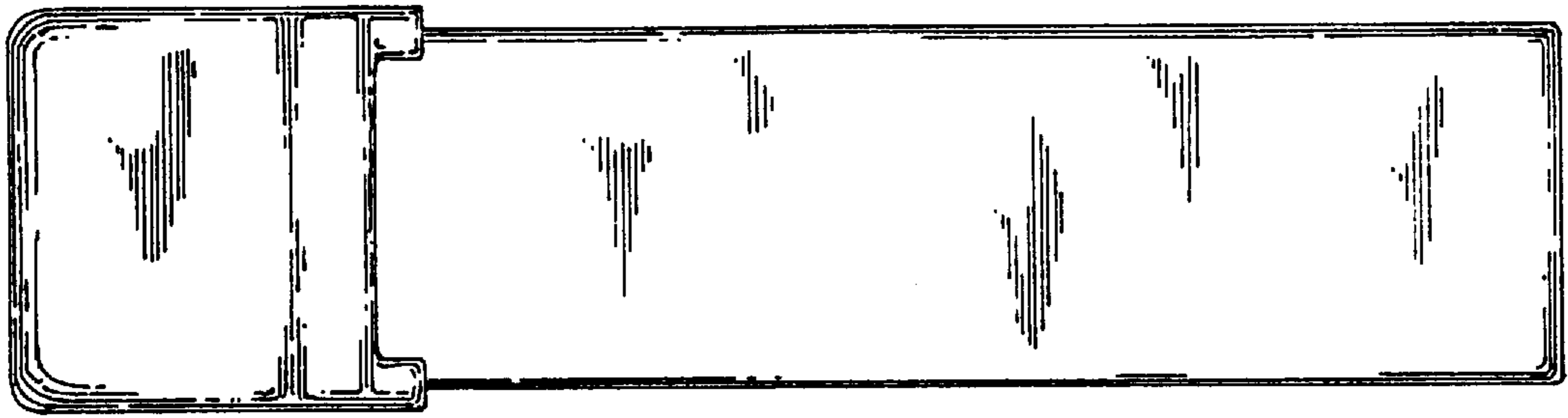


FIG. 4.

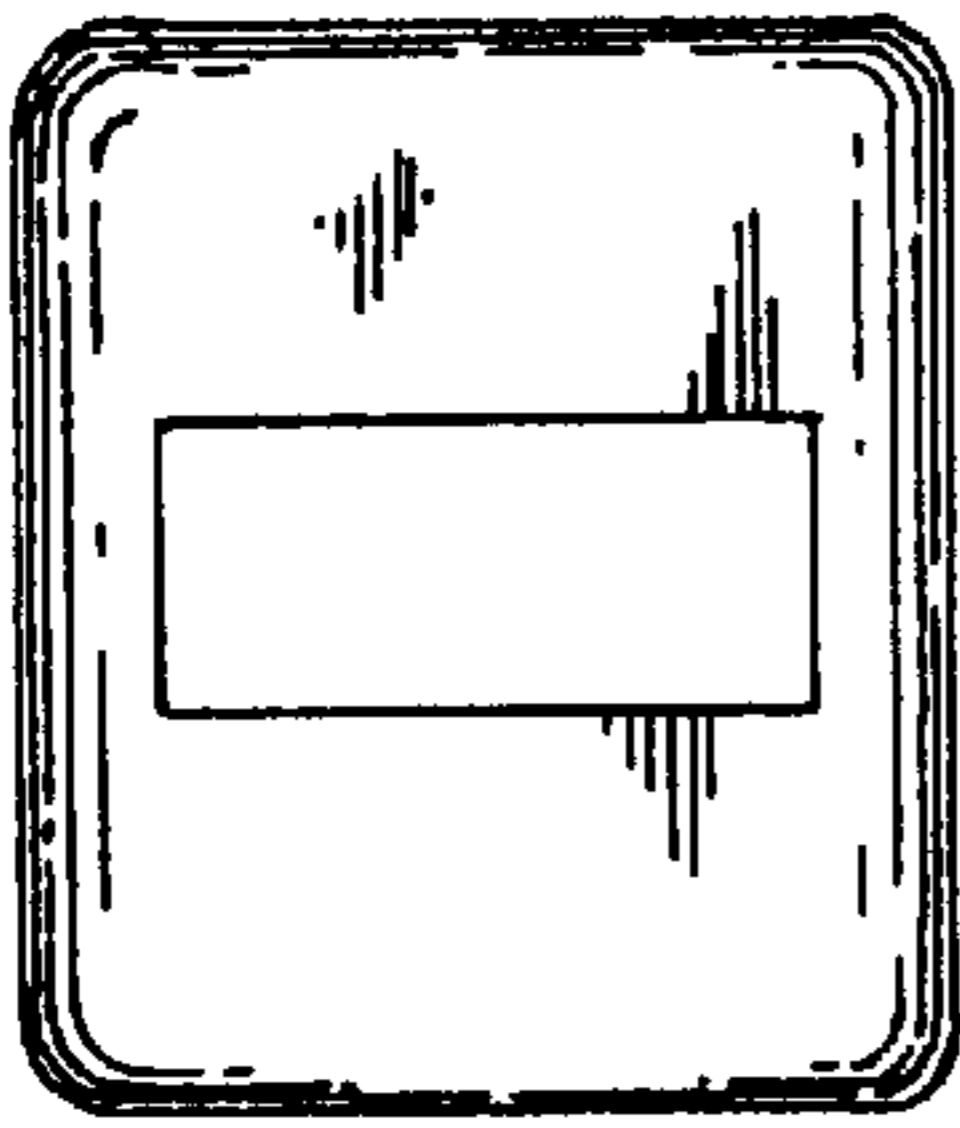


FIG. 5.

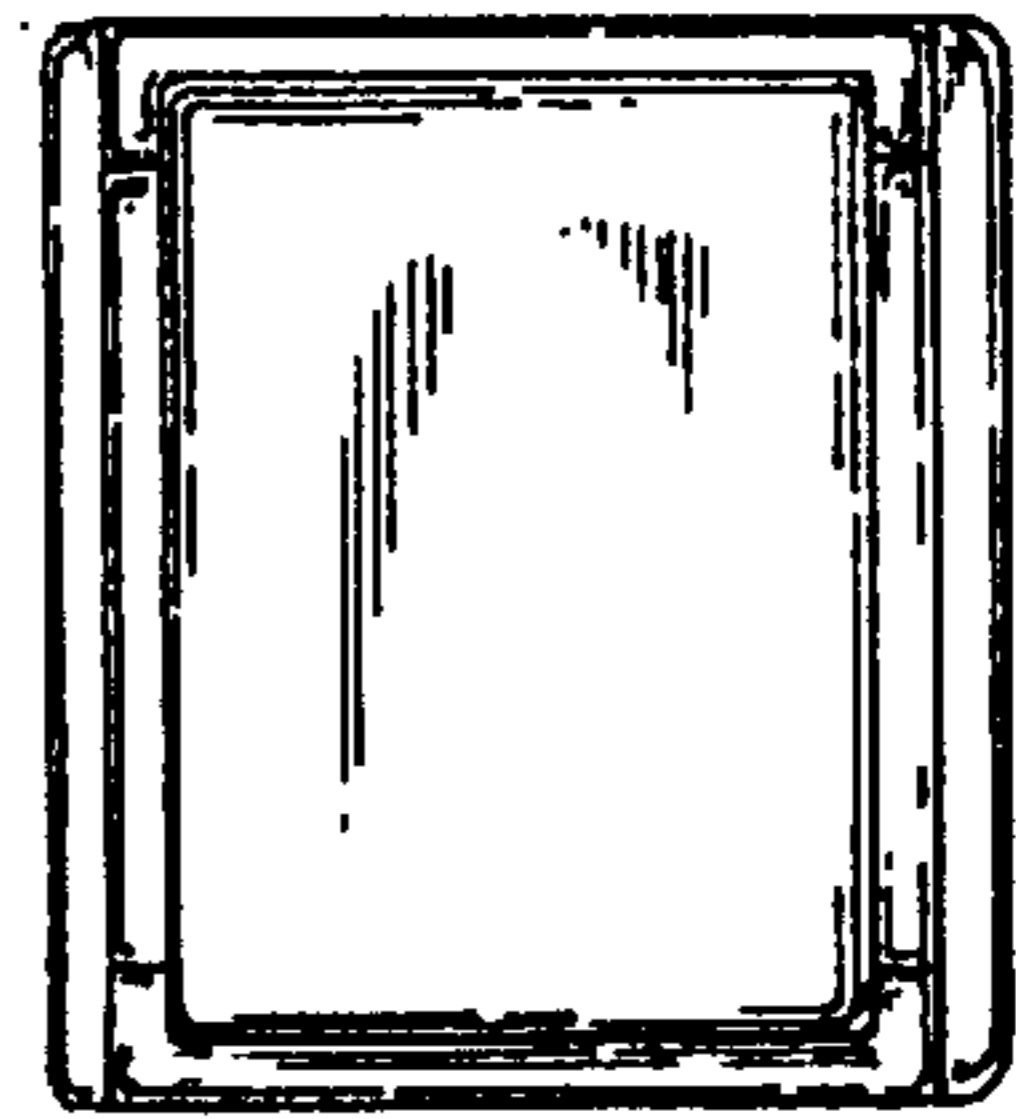


FIG. 6.