



US00D405069S

United States Patent [19]
Chang et al.

[11] **Patent Number: Des. 405,069**
[45] **Date of Patent: **Feb. 2, 1999**

[54] **SCANNER**

D. 372,227 7/1996 Ohta D14/107

[75] Inventors: **Thomas Chang; Jesse Wu**, both of Hsin-Chu; **Tony Chen**, Taipei, all of Taiwan

Primary Examiner—Freda Nunn
Attorney, Agent, or Firm—Beveridge, DeGrandi, Weilacher & Young, LLP

[73] Assignee: **Umax Data Systems Inc.**, Hsinchu, Taiwan

[57] **CLAIM**

[**] Term: **14 Years**

The ornamental design for a scanner, as shown and described.

[21] Appl. No.: **81,720**

DESCRIPTION

[22] Filed: **Jan. 8, 1998**

FIG. 1 is a front elevational view of a scanner showing our new design;

[51] **LOC (6) Cl.** **14-02**

FIG. 2 is a rear elevational view;

[52] **U.S. Cl.** **D14/107**

FIG. 3 is a top view;

[58] **Field of Search** D14/100, 107, D14/118; D16/208, 214, 223, 232; D18/36, 37, 39; 235/476, 482, 483; 250/556; 355/64, 65, 75, 81

FIG. 4 is a bottom view;

FIG. 5 is a leftside elevational view;

FIG. 6 is a rightside elevational view;

FIG. 7 is a perspective view; and,

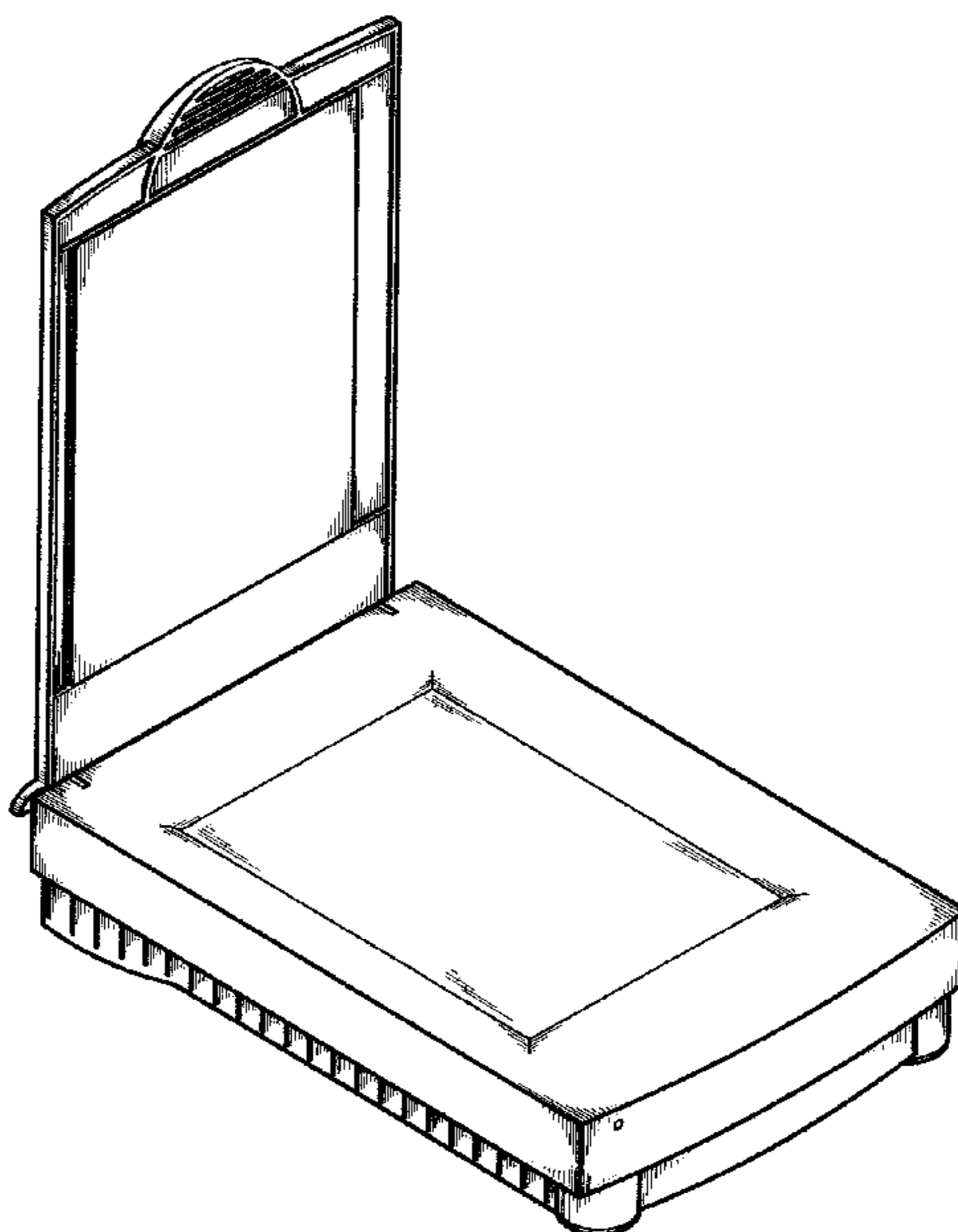
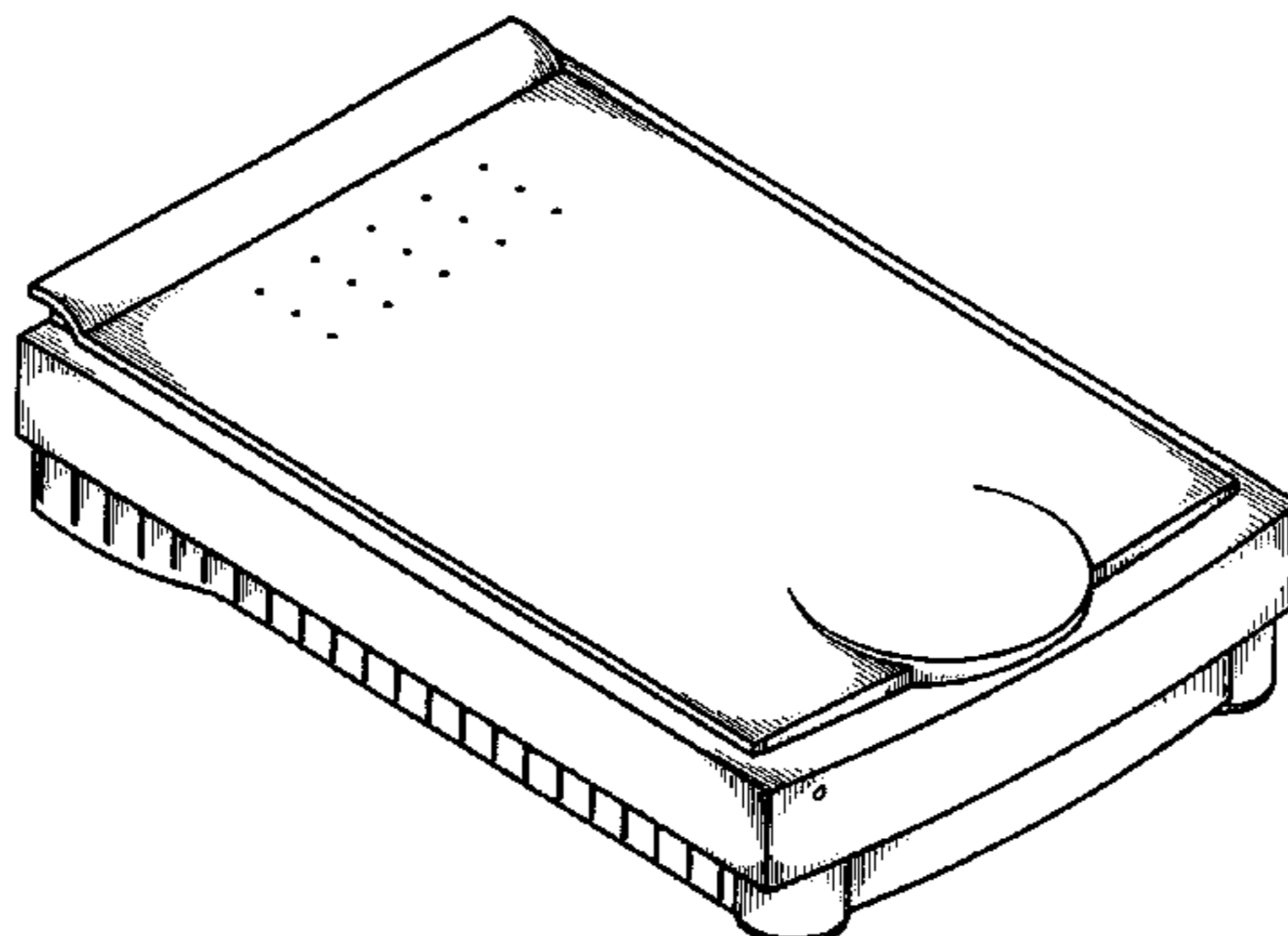
FIG. 8 is a another perspective view with a cover thereof opened.

[56] **References Cited**

U.S. PATENT DOCUMENTS

D. 370,893 6/1996 Chen et al. D14/107

1 Claim, 7 Drawing Sheets



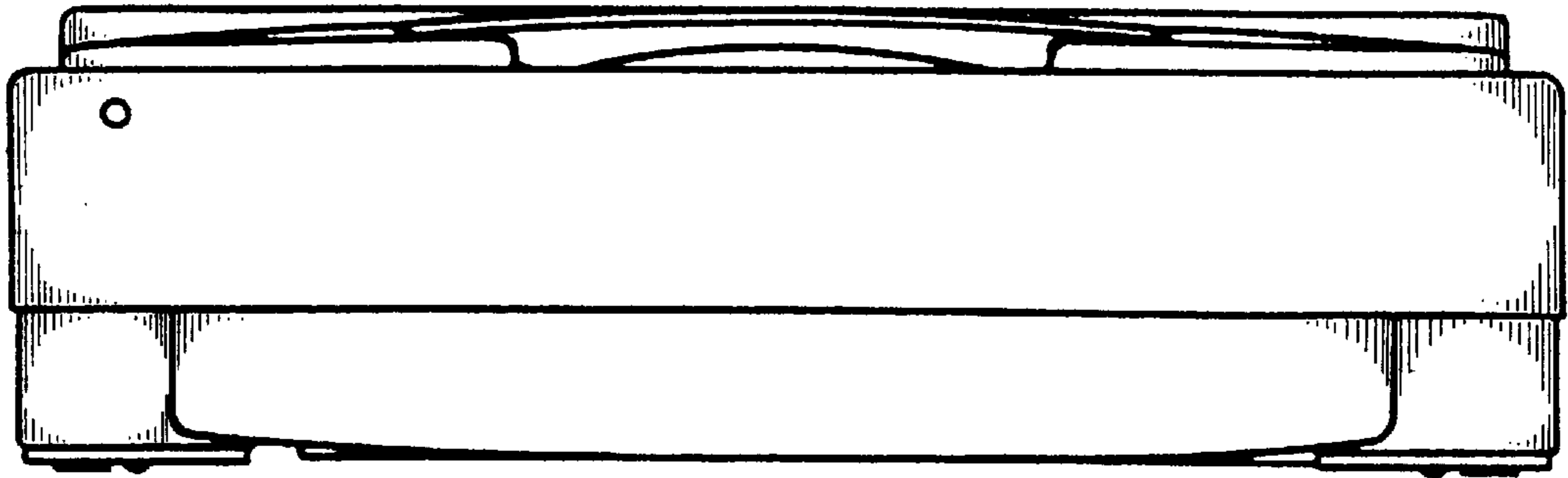


FIG. 1

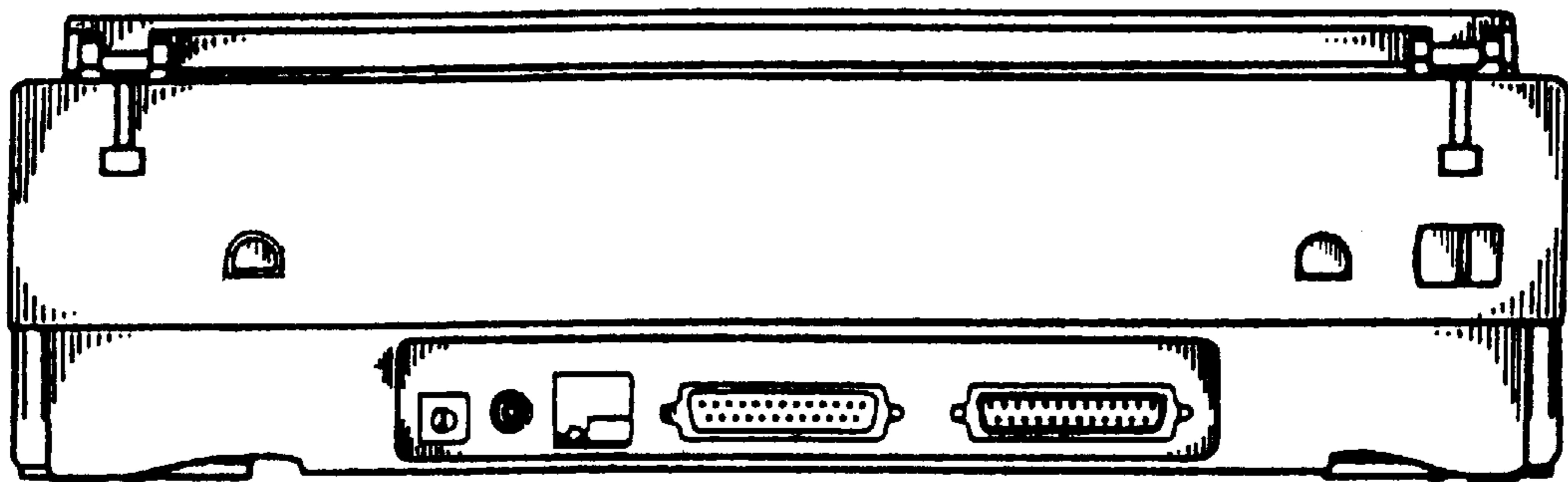


FIG. 2

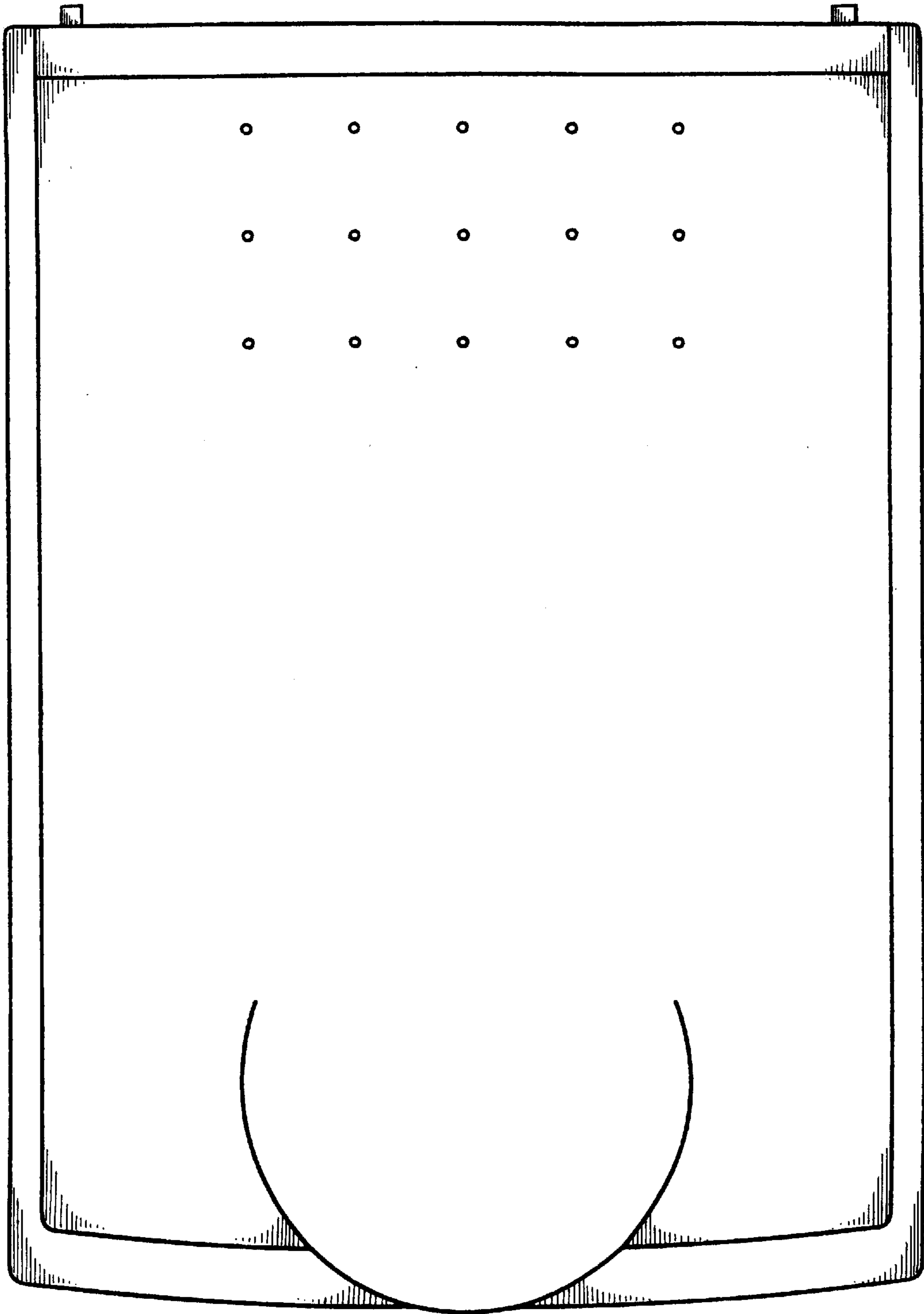


FIG. 3

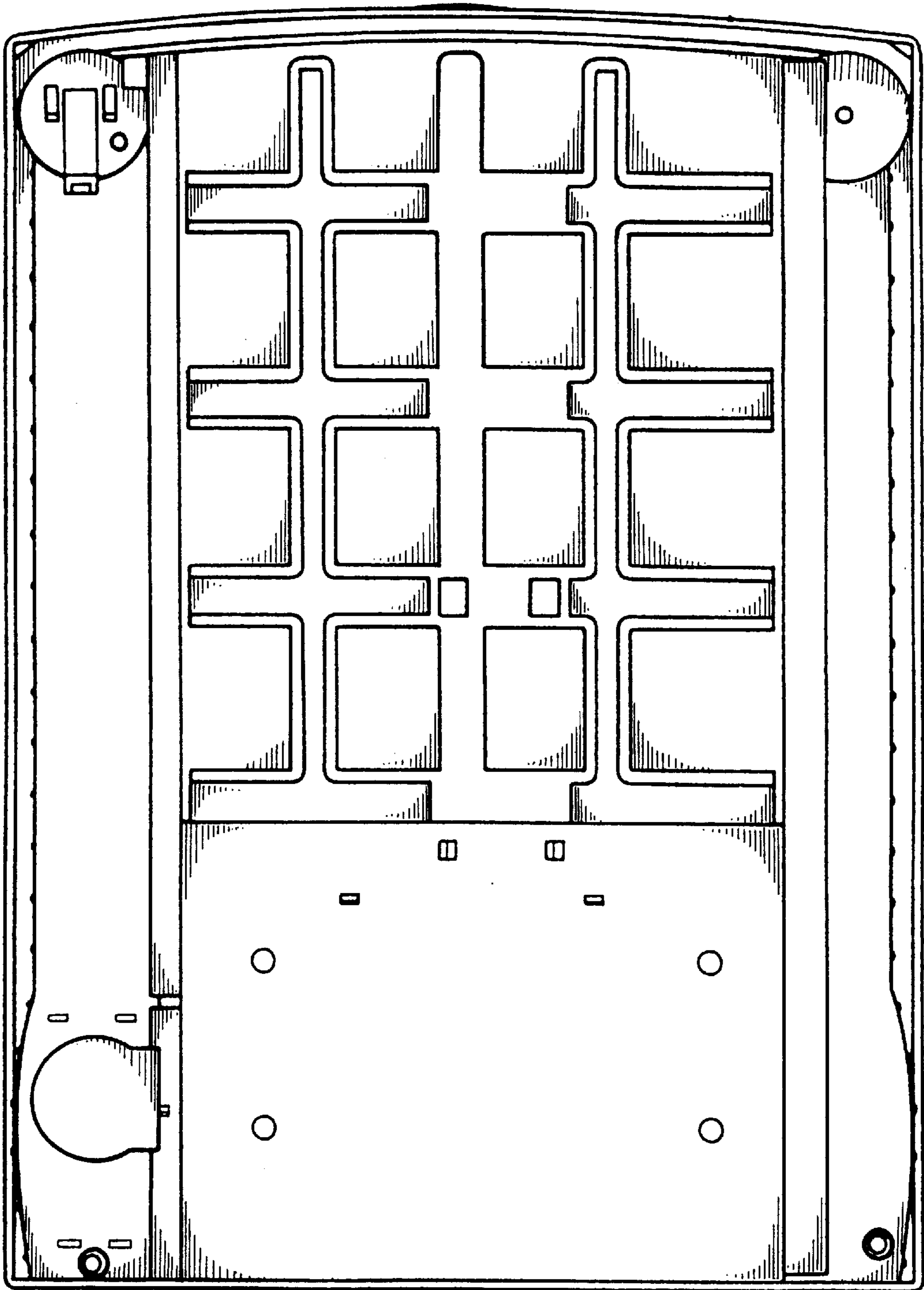


FIG. 4

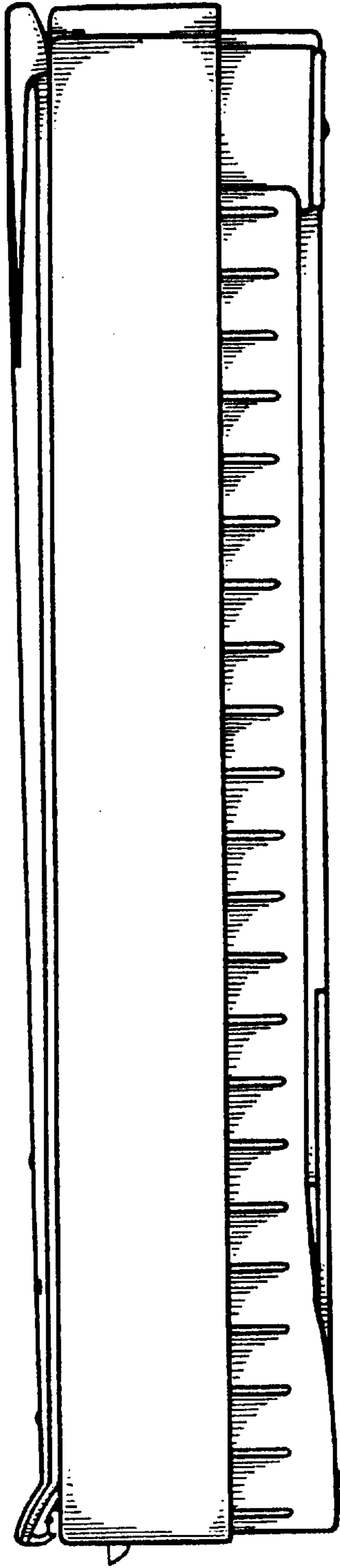


FIG. 5

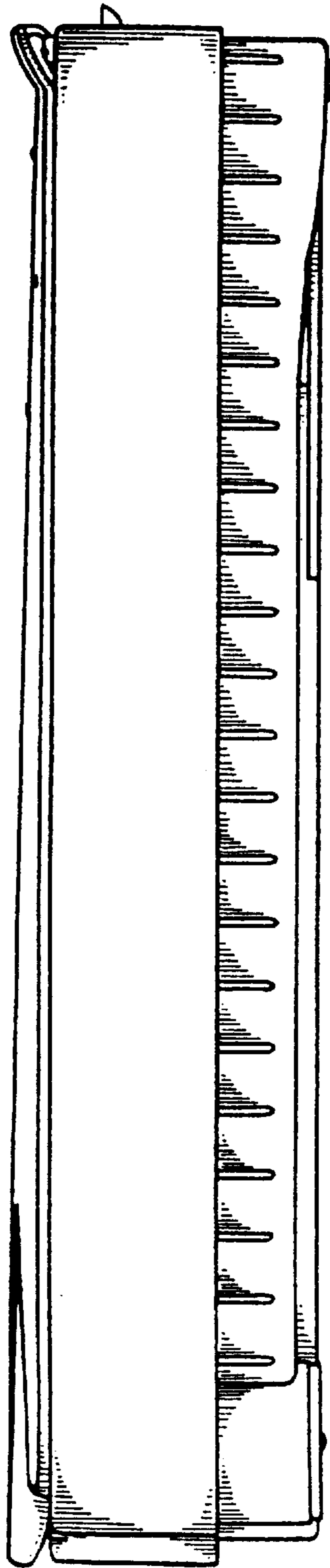


FIG. 6

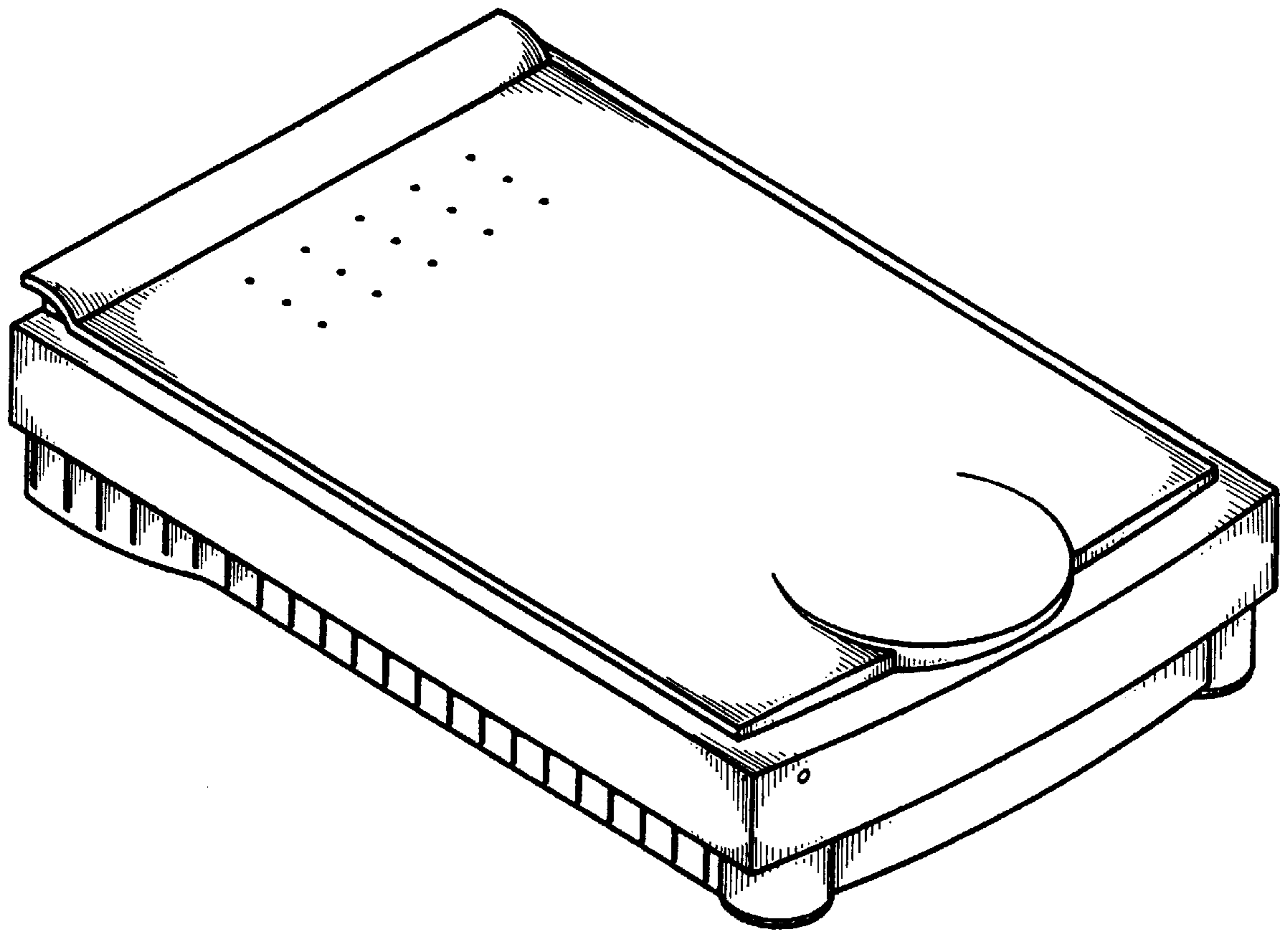


FIG. 7

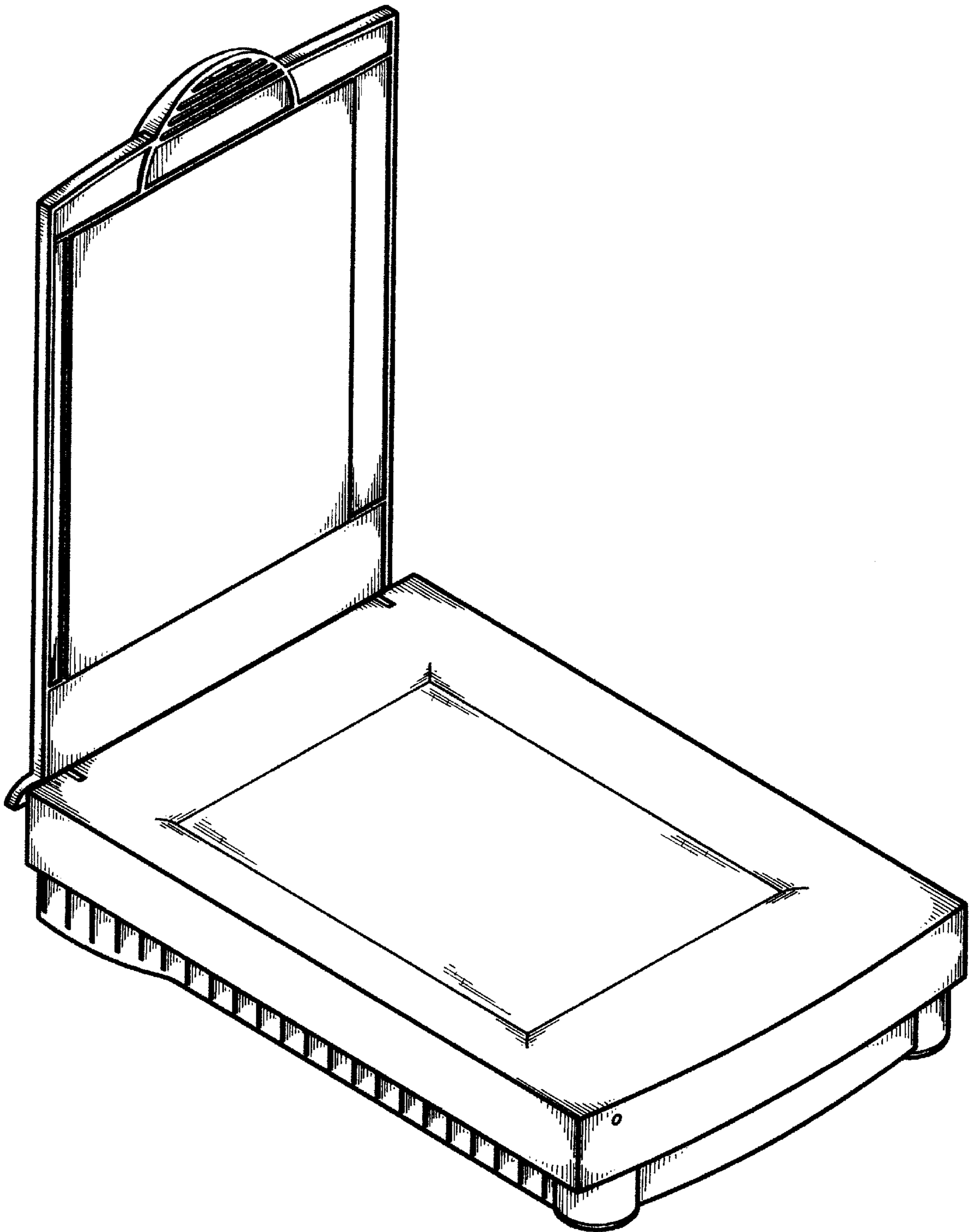


FIG. 8