



US00D405068S

# United States Patent [19]

Chang et al.

[11] Patent Number: **Des. 405,068**

[45] Date of Patent: **\*\*Feb. 2, 1999**

[54] **SCANNER**

D. 372,227 7/1996 Ohta ..... D14/107

[75] Inventors: **Thomas Chang**, Hsin-Chu; **Tony Chen**, Taipei, both of Taiwan

*Primary Examiner*—Freda Nunn  
*Attorney, Agent, or Firm*—Beveridge, DeGrandi, Weilacher & Young, LLP

[73] Assignee: **Umax Data Systems, Inc.**, Hsinchu, Taiwan

### [57] CLAIM

[\*\*] Term: **14 Years**

The ornamental design for a scanner, as shown and described.

[21] Appl. No.: **81,719**

### DESCRIPTION

[22] Filed: **Jan. 8, 1998**

FIG. 1 is a front elevational view of a scanner showing our new design;

[51] **LOC (6) Cl.** ..... **14-02**

FIG. 2 is a rear elevational view;

[52] **U.S. Cl.** ..... **D14/107**

FIG. 3 is a top view;

[58] **Field of Search** ..... D14/100, 107, D14/118; D18/36, 37, 39; D16/208, 214, 223, 232; 250/556; 235/482, 483; 355/64, 65, 75, 81

FIG. 4 is a bottom view;

FIG. 5 is a leftside elevational view rightside elevational view corresponds therewith;

FIG. 6 is a perspective view; and,

FIG. 7 is a another perspective view with a cover thereof opened.

### [56] References Cited

#### U.S. PATENT DOCUMENTS

D. 370,893 6/1996 Chen et al. .... D14/107

**1 Claim, 6 Drawing Sheets**

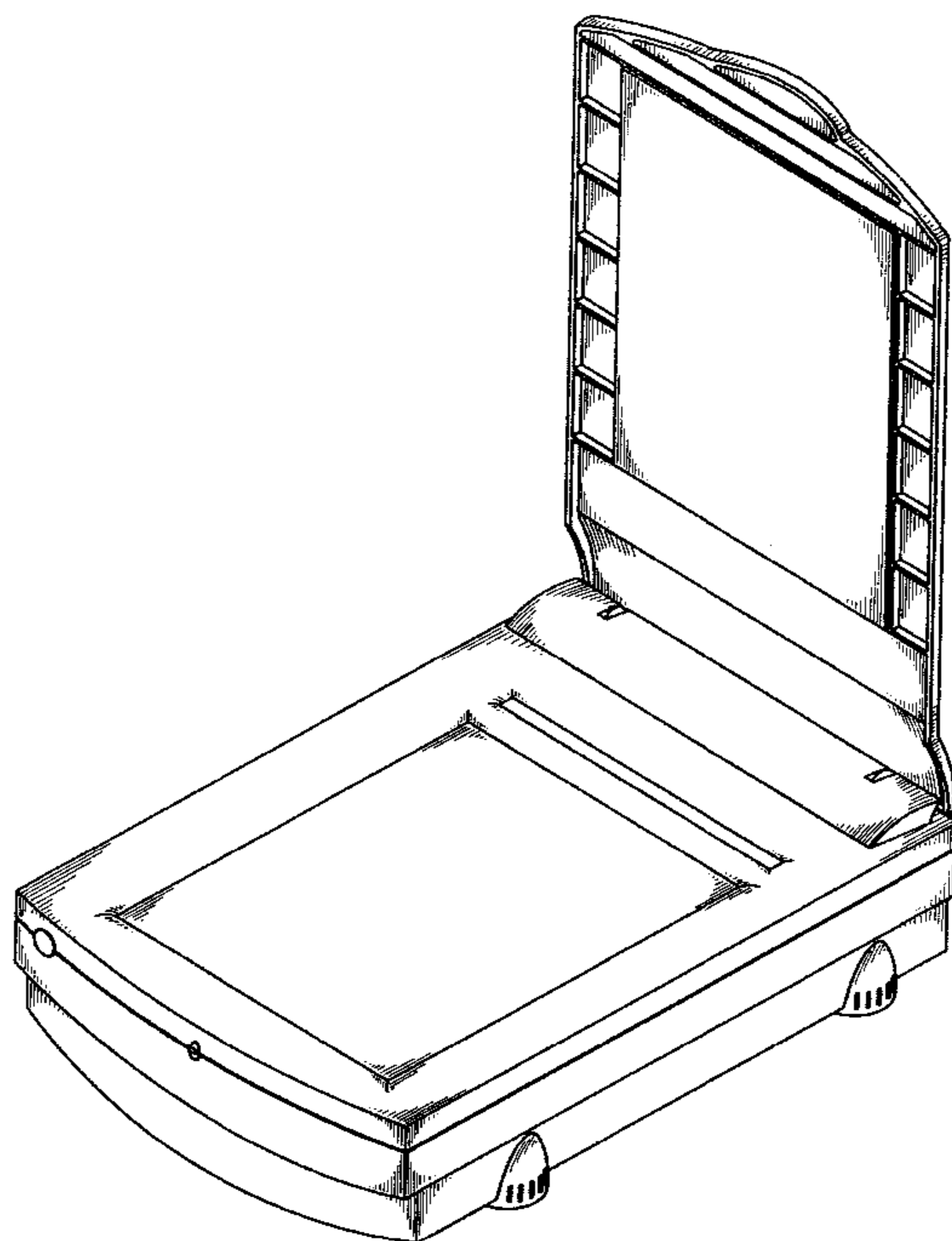
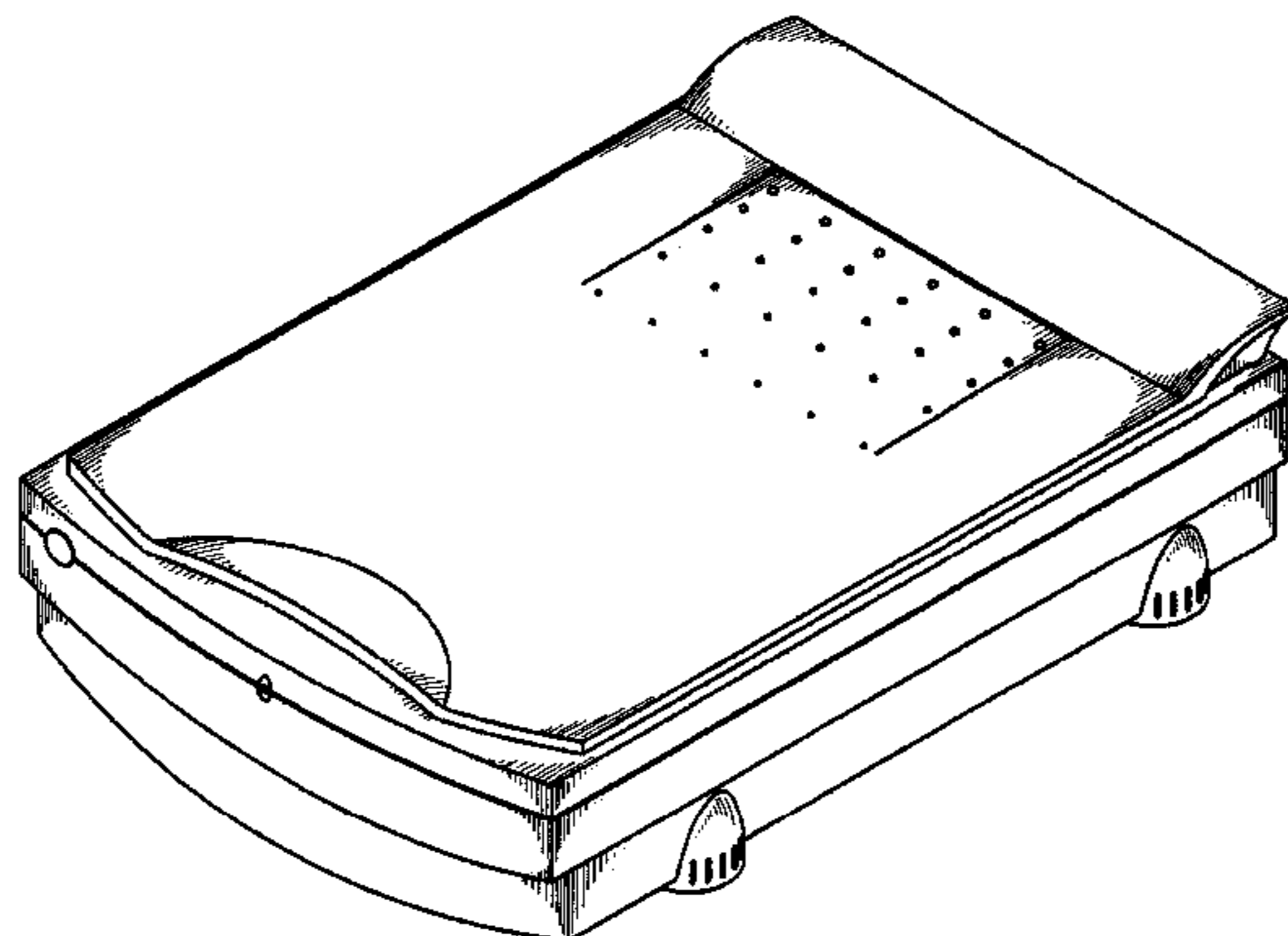


FIG. 1

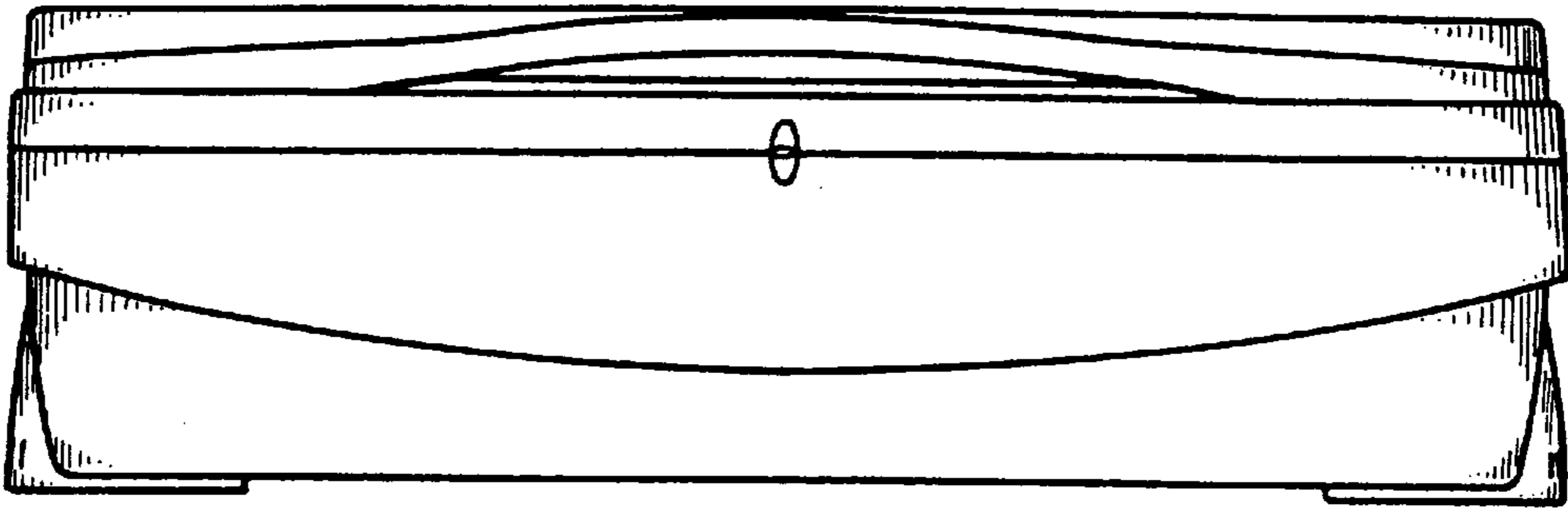


FIG. 2

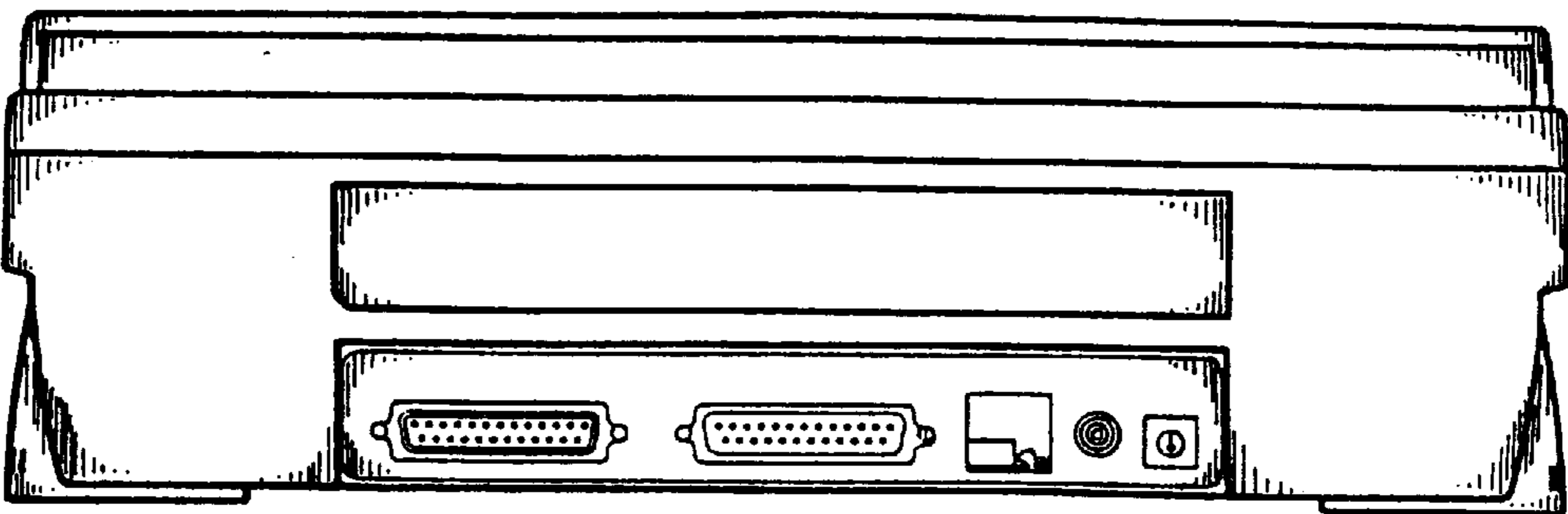


FIG. 3

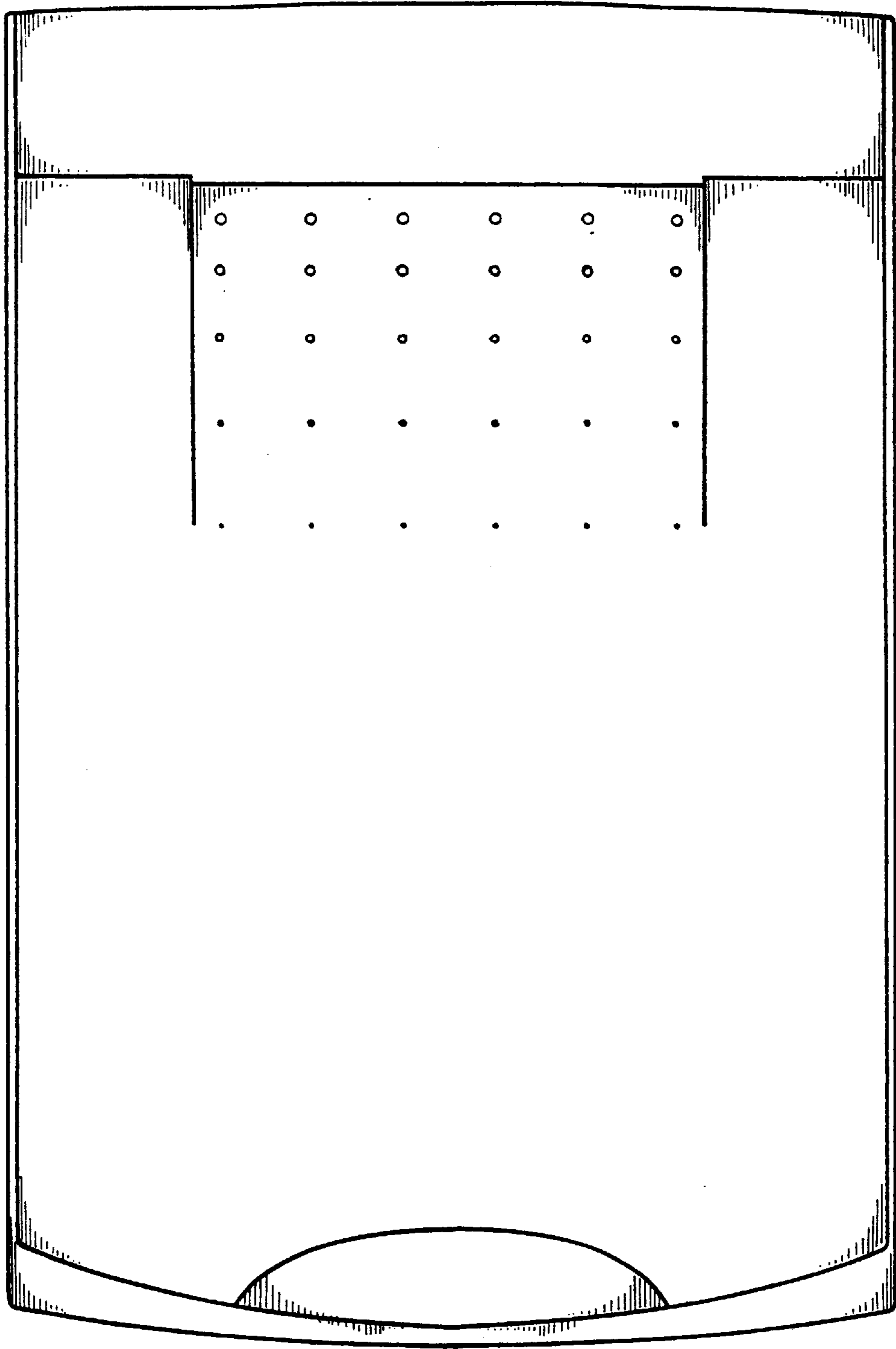


FIG. 4

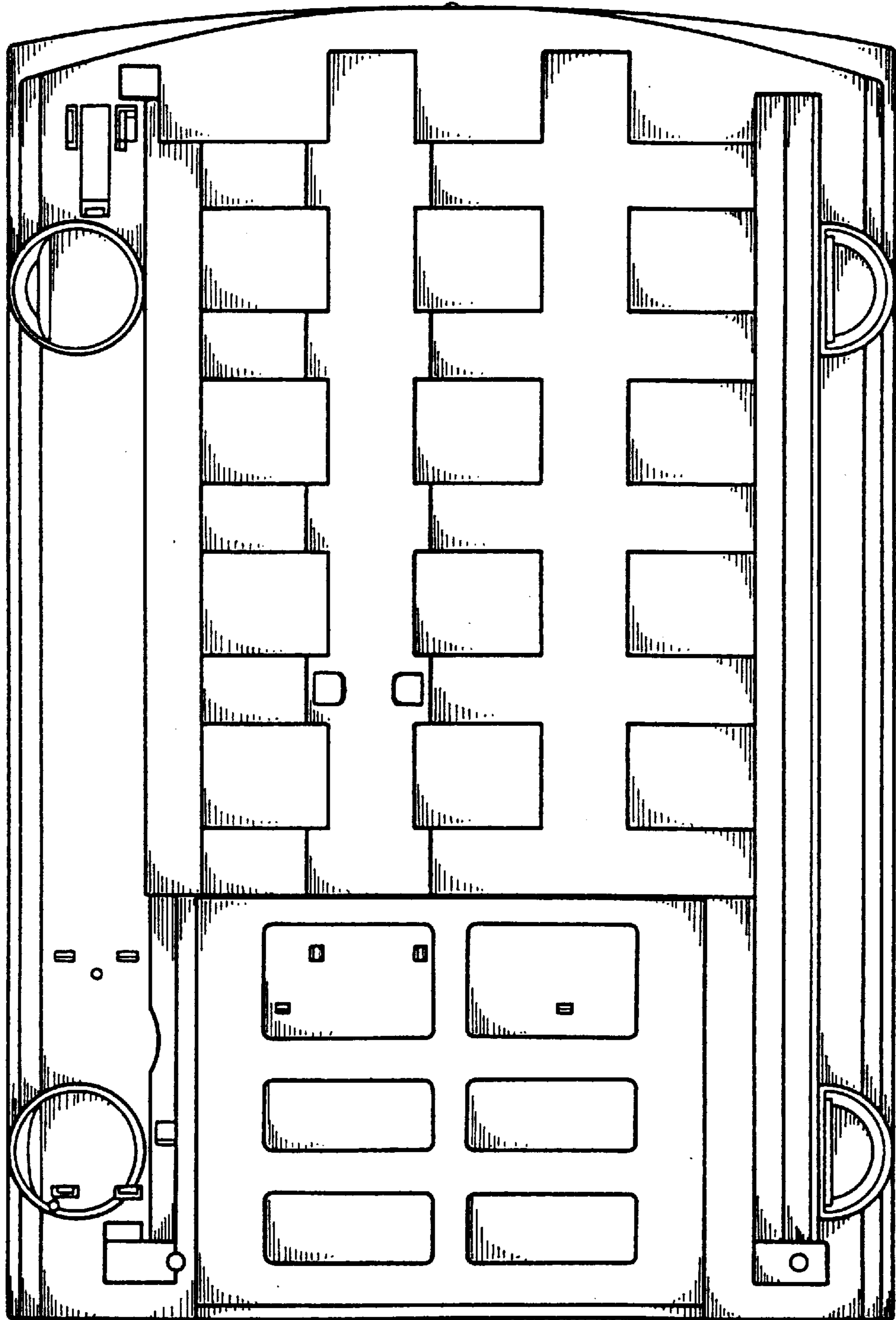
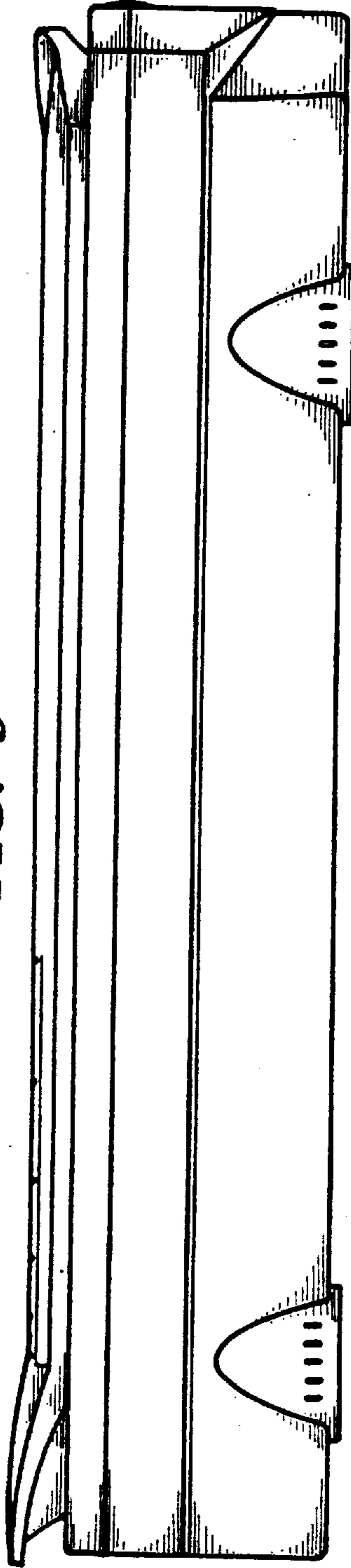


FIG. 5



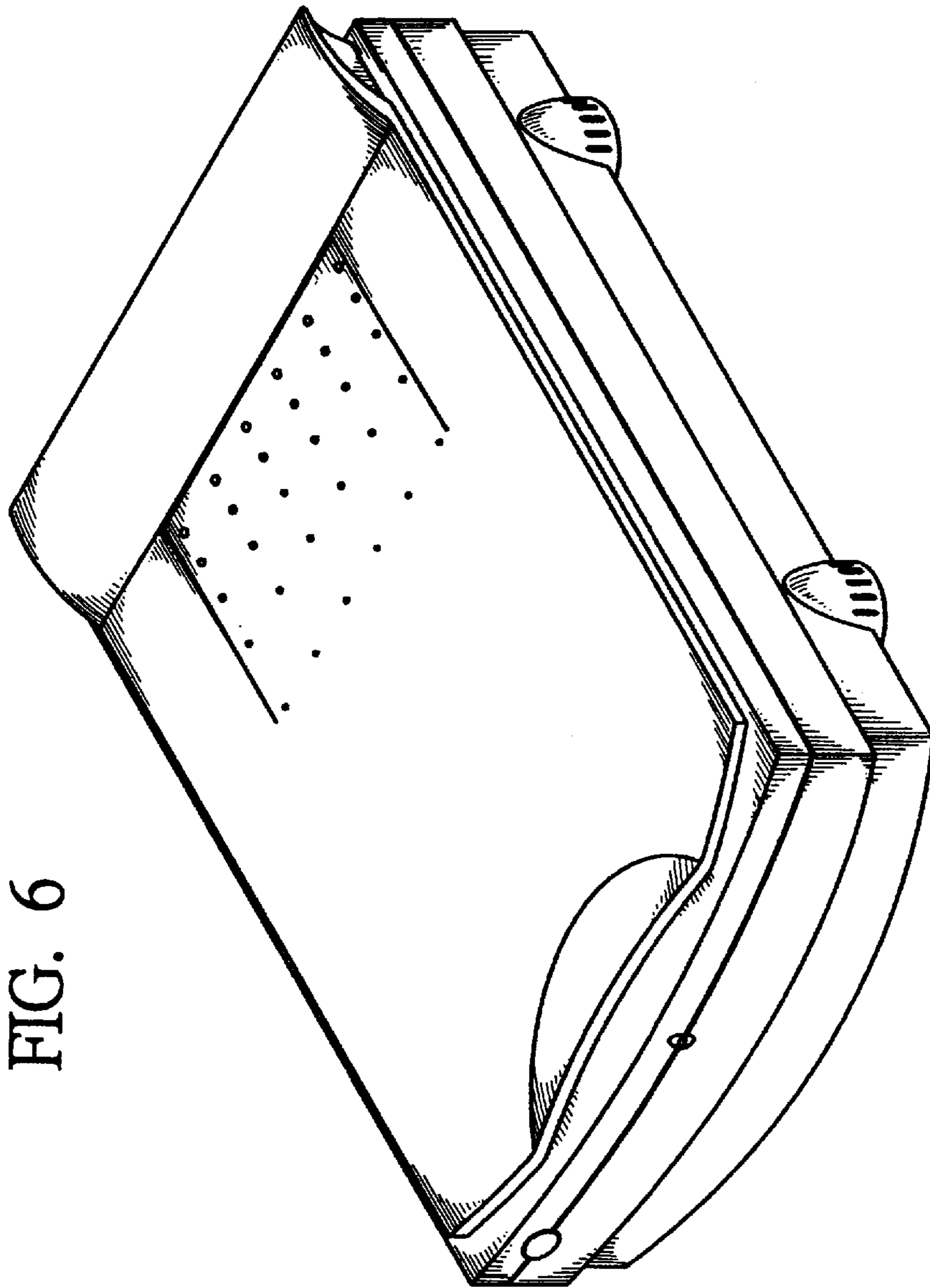


FIG. 6

FIG. 7

