



US00D405064S

United States Patent [19] Iino

[11] **Patent Number: Des. 405,064**

[45] **Date of Patent: **Feb. 2, 1999**

[54] **APPARATUS FOR EXTENSION OF
FUNCTION OF COMPUTERS**

[75] Inventor: **Masaaki Iino**, Saitama-ken, Japan

[73] Assignee: **Kabushiki Kaisha Toshiba**, Kawasaki,
Japan

[**] Term: **14 Years**

[21] Appl. No.: **76,854**

[22] Filed: **Sep. 4, 1997**

[30] **Foreign Application Priority Data**

Apr. 1, 1997 [JP] Japan 9-50014

[51] **LOC (6) Cl.** **14-02**

[52] **U.S. Cl.** **D14/107; D13/147**

[58] **Field of Search** **D13/146; D14/107;**
439/540.1, 535, 638, 639, 653, 676; 361/683,
395

[56] **References Cited**

U.S. PATENT DOCUMENTS

D. 361,987	9/1995	Yamazaki	D14/107
D. 364,853	12/1995	Ojeda	D14/107
D. 366,470	1/1996	Youens et al.	D14/107
D. 392,627	3/1998	Kondo	D14/107
5,411,416	5/1995	Balon et al.	439/540.1

FOREIGN PATENT DOCUMENTS

901932	6/1994	Japan .
949433	3/1996	Japan .
108084	11/1990	Rep. of Korea .
157693	12/1994	Rep. of Korea .
171109	1/1996	Rep. of Korea .

OTHER PUBLICATIONS

Dell Latitude Xpi System Profiles, Aug. 10, 1996.
Texas Instruments—Travel Mate notebook and Dock Mate
docking system, Aug. 1995.

Primary Examiner—Joel Sincavage
Attorney, Agent, or Firm—Banner & Witcoff, Ltd.

[57] **CLAIM**

The ornamental design for an apparatus for extension of
function of computers, as shown and described.

DESCRIPTION

FIG. 1 is a top, front and right side perspective view of an
apparatus for extension of function of electronic computers
showing my new design;
FIG. 2 is a front elevational view thereof;
FIG. 3 is a top plan view thereof;
FIG. 4 is a left side elevational view thereof;
FIG. 5 is a right side elevational view thereof;
FIG. 6 is a rear elevational view thereof; and,
FIG. 7 is a bottom plan view thereof.

1 Claim, 3 Drawing Sheets

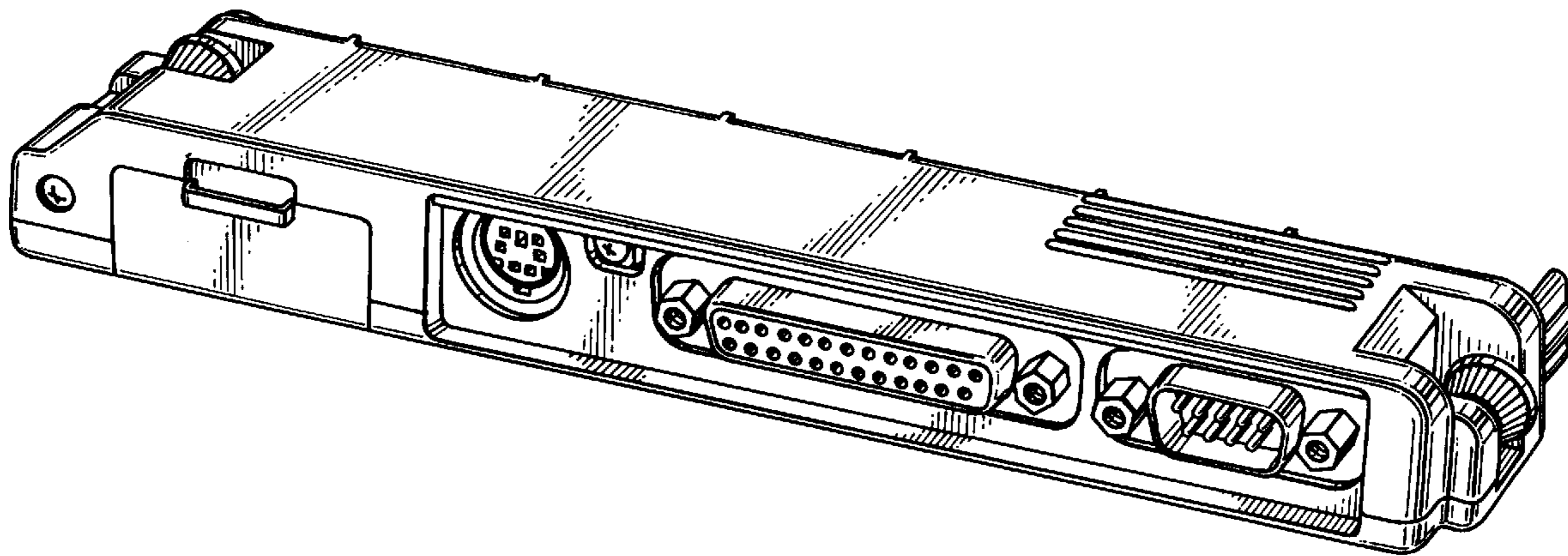


FIG. 1

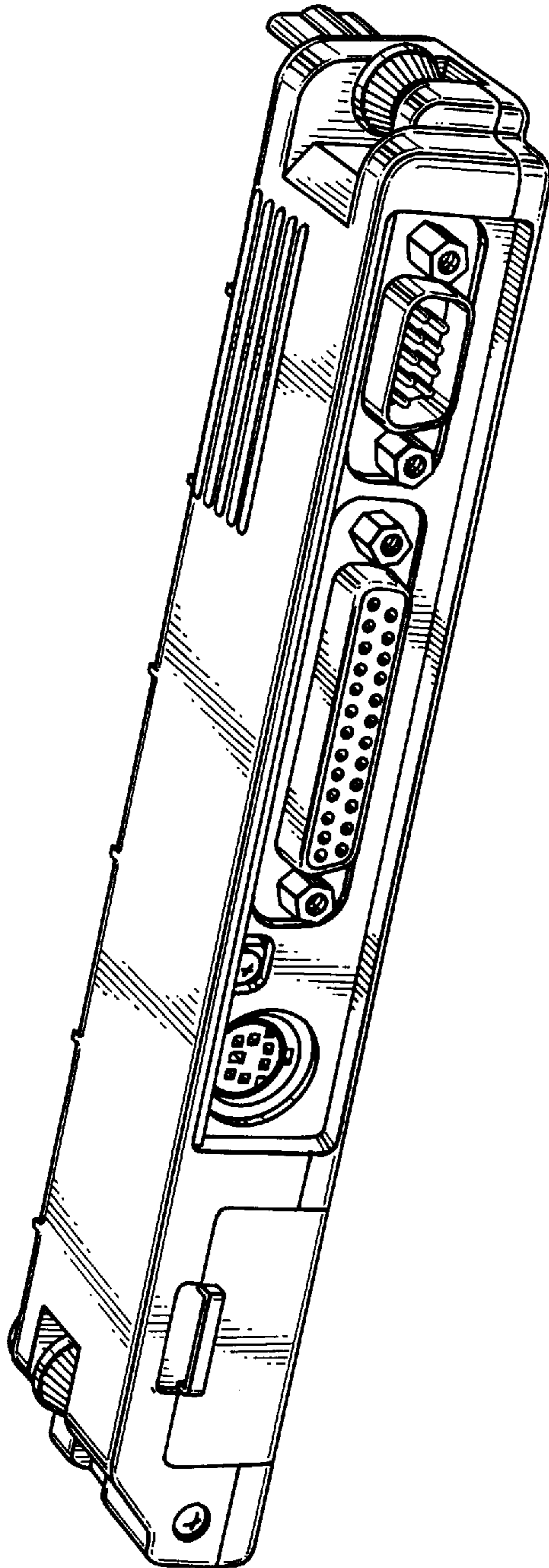


FIG. 2

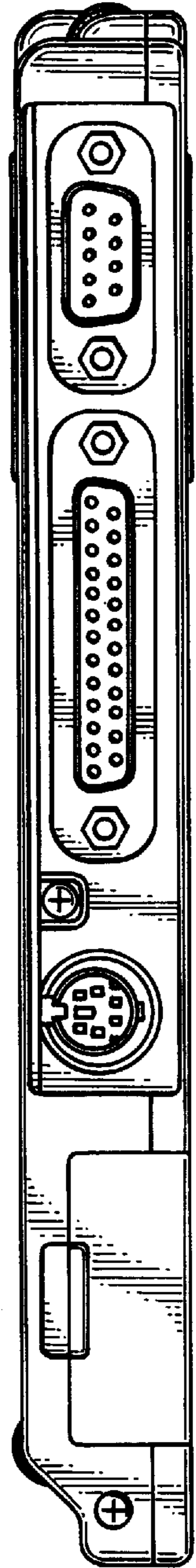


FIG. 3

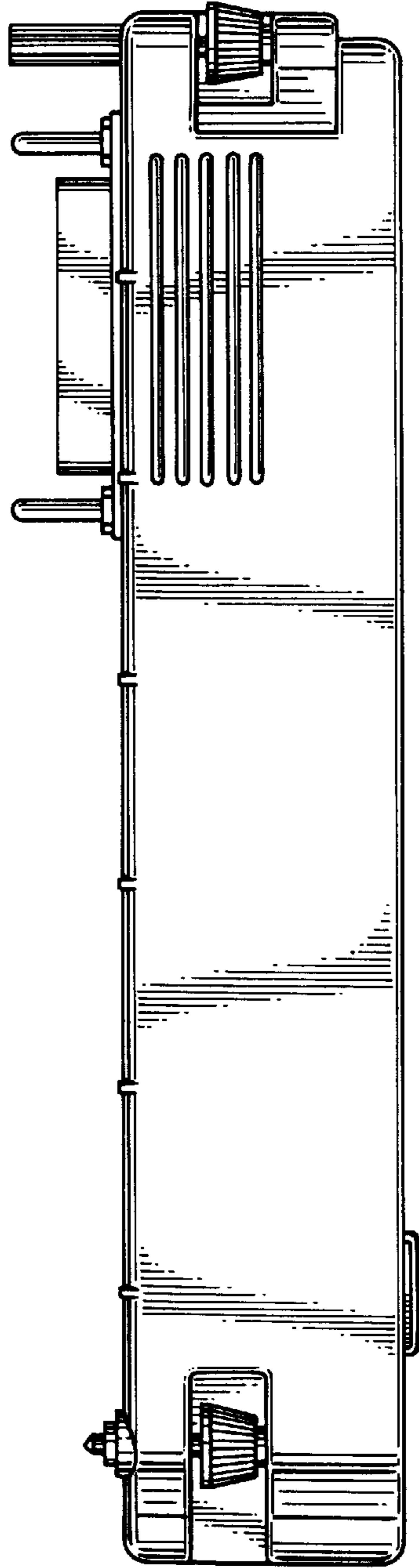


FIG. 5

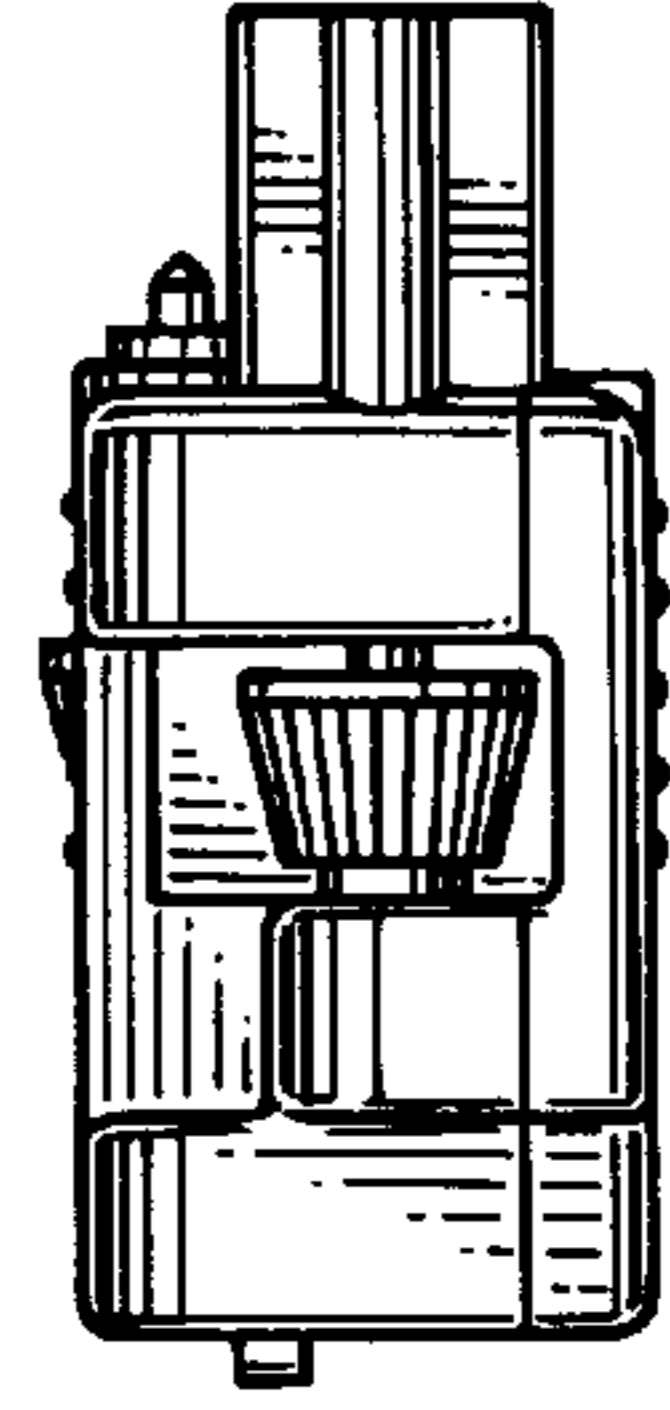


FIG. 4

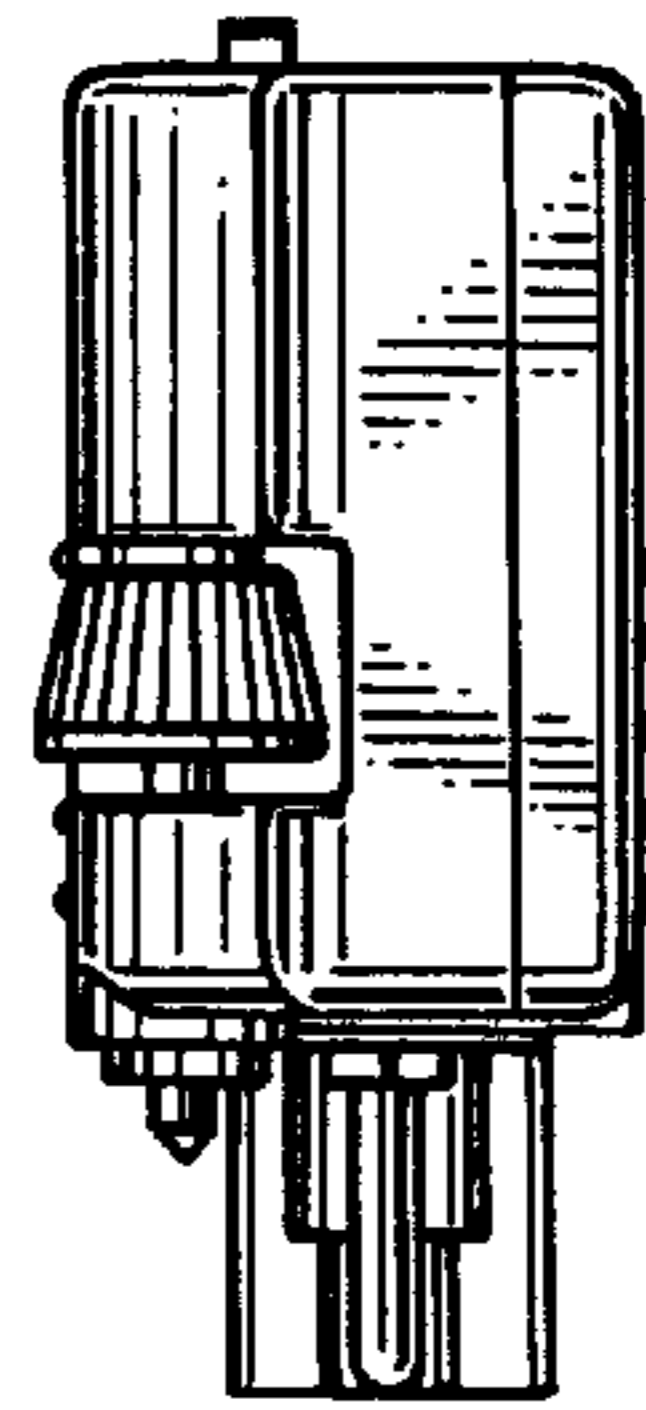


FIG. 6

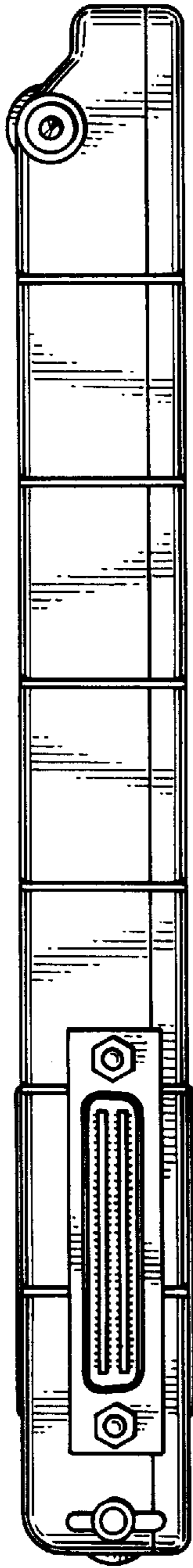
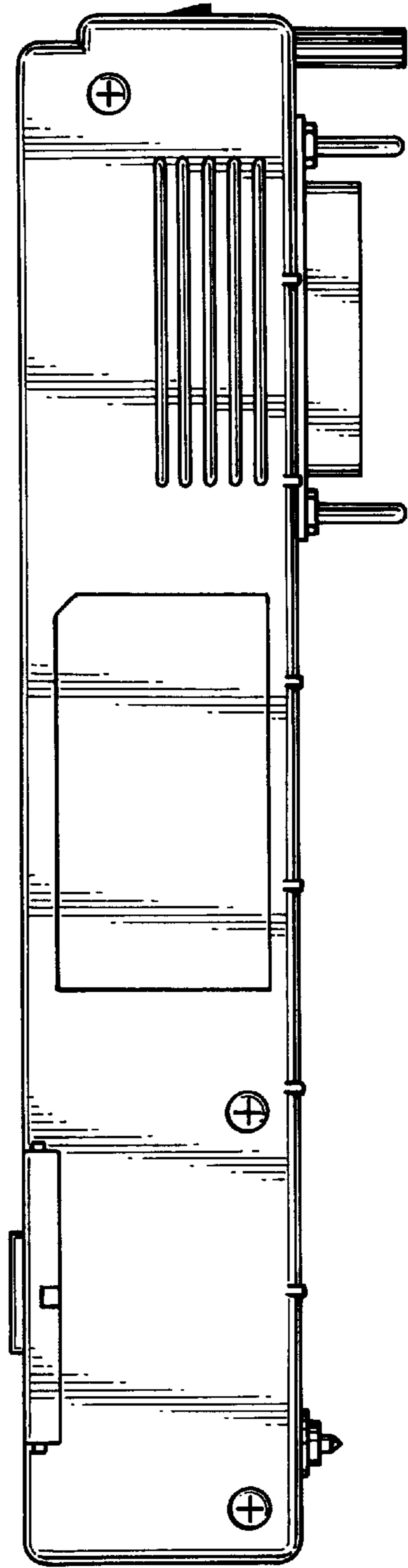


FIG. 7



UNITED STATES PATENT AND TRADEMARK OFFICE
CERTIFICATE OF CORRECTION

PATENT NO.: Des. 405,064
DATED: February 24, 1999
INVENTORS: Masaaki IINO

It is certified that errors appear in the above-identified patent and that said Letters Patent is hereby corrected as shown below:

Title page, insert --Electronic-- before the word "Computers."

In the Claim, line 2, insert --electronic-- before the word "computers."

Signed and Sealed this
Eleventh Day of May, 1999

Attest:



Q. TODD DICKINSON

Attesting Officer

Acting Commissioner of Patents and Trademarks