



US00D405063S

United States Patent [19]

Lee et al.

[11] **Patent Number:** **Des. 405,063**

[45] **Date of Patent:** ****Feb. 2, 1999**

[54] **COMPUTER TOWER**

[75] Inventors: **Peter Lee**, San Jose; **Jeffrey L. Smith**, San Mateo; **Kenneth D. Wood**, Woodside; **Gil Wong**; **June Lee**, both of San Francisco, all of Calif.

[73] Assignee: **Hewlett-Packard Company**, Palo Alto, Calif.

[**] Term: **14 Years**

[21] Appl. No.: **82,498**

[22] Filed: **Jan. 23, 1998**

[51] **LOC (6) Cl.** **14-02**

[52] **U.S. Cl.** **D14/100; D14/109; D14/102**

[58] **Field of Search** **D14/100, 102, D14/107-109; D13/162, 184, 199; D6/432, 436, 445, 448; 312/208.1; 360/99.12; 369/34, 36; 361/730, 732**

[56] **References Cited**

U.S. PATENT DOCUMENTS

D. 370,467 6/1996 Barthelemy et al. D14/102

Primary Examiner—Freda Nunn
Attorney, Agent, or Firm—Jeffrey D. Wheeler

[57] **CLAIM**

We claim the ornamental design for a computer tower, as shown and described.

DESCRIPTION

FIG. 1 is a perspective view of a computer tower showing our design;

FIG. 2 is a front elevational view thereof;

FIG. 3 is a rear elevational view thereof;

FIG. 4 is a side elevational view thereof, with both sides being identical;

FIG. 5 is a top plan view thereof; and,

FIG. 6 is a bottom plan view thereof.

1 Claim, 4 Drawing Sheets

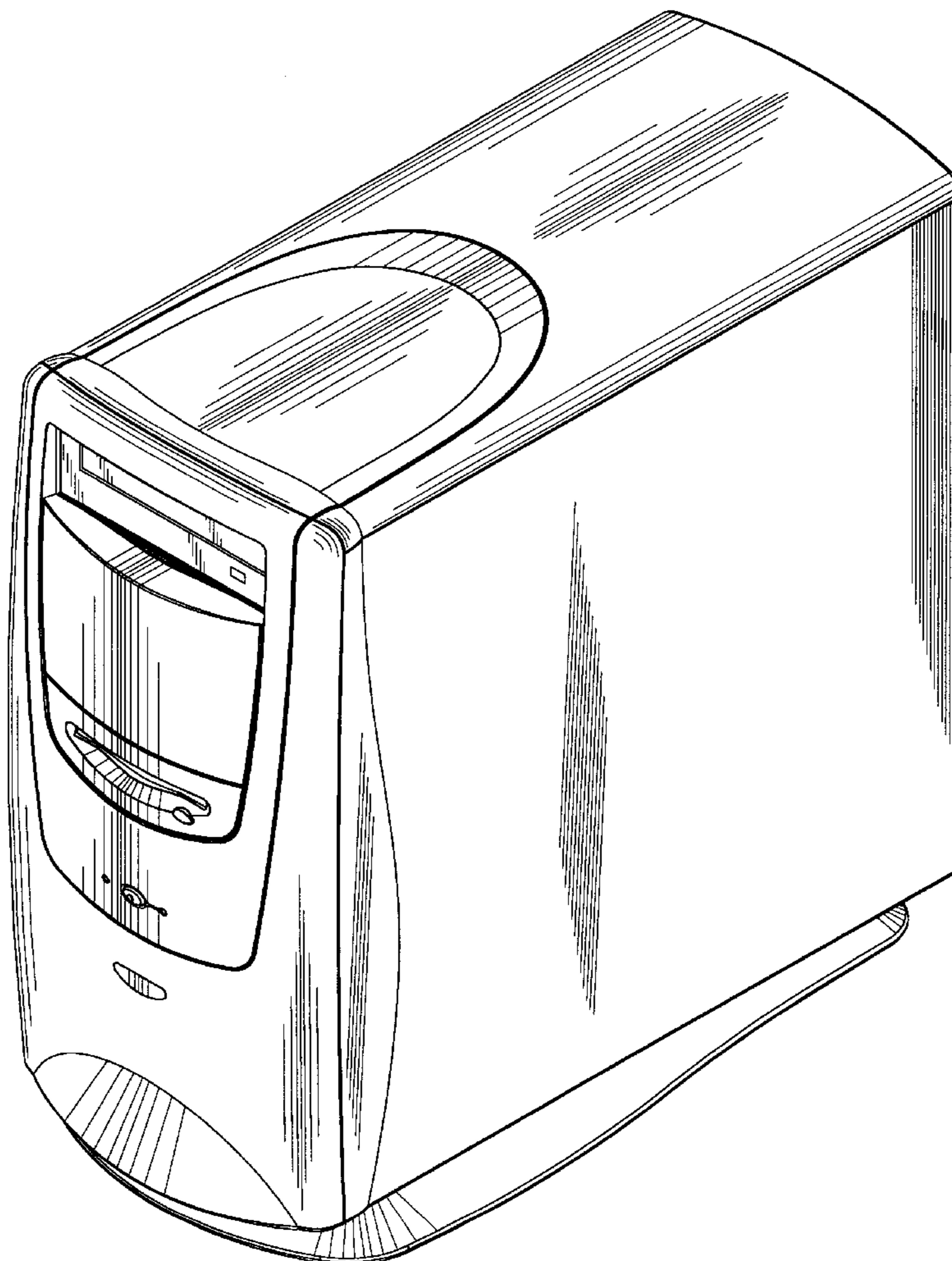


FIG. 1

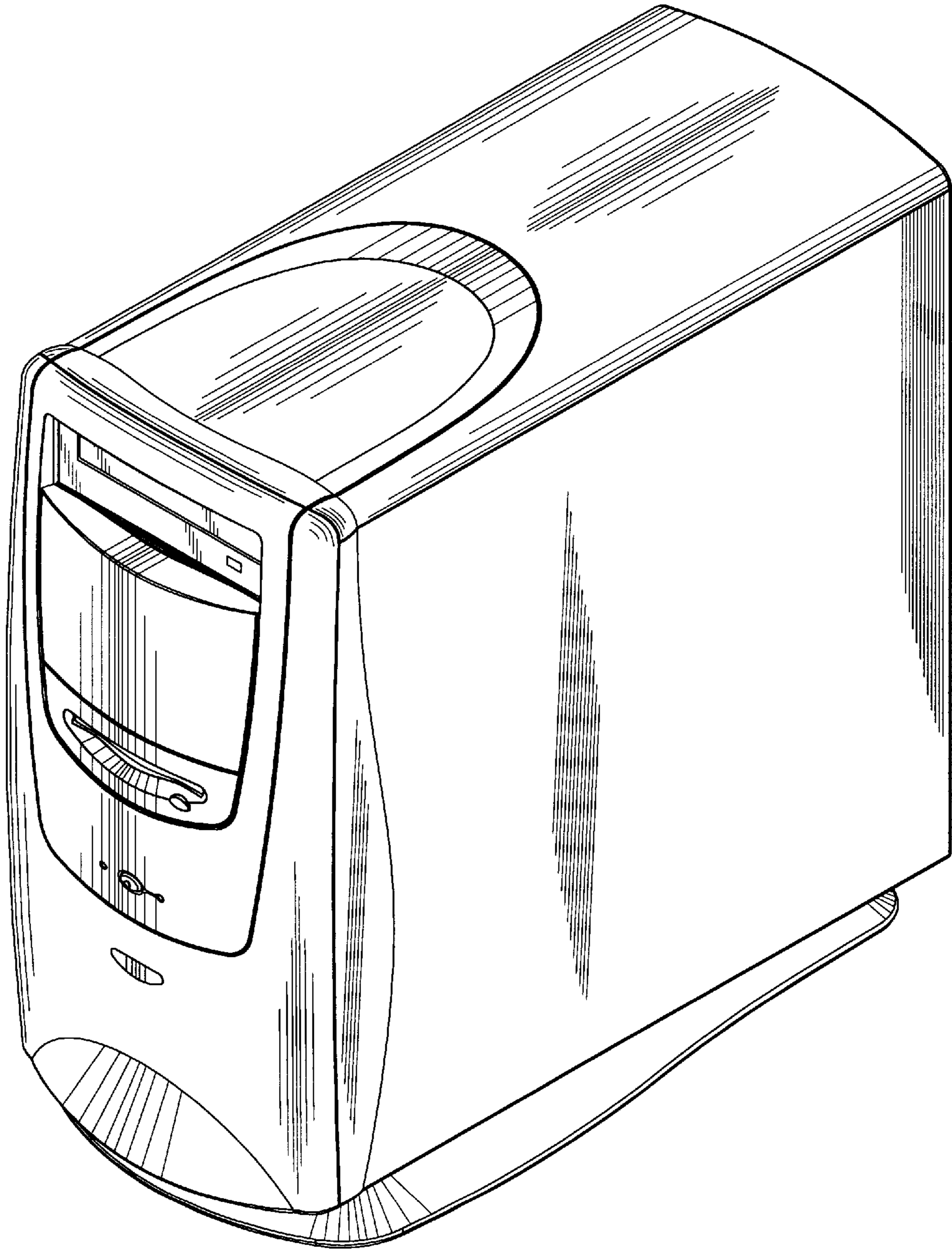


FIG. 3

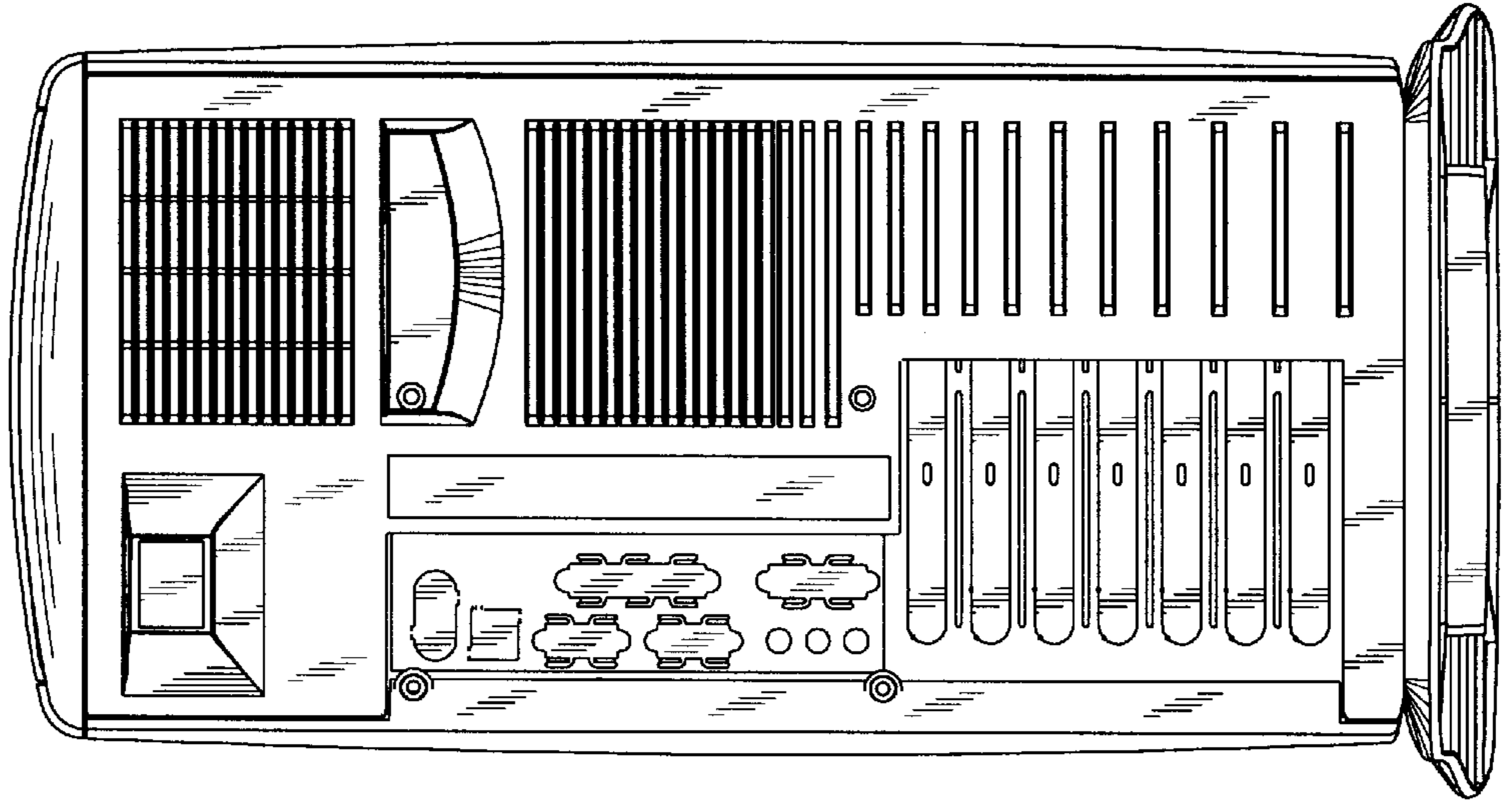


FIG. 2

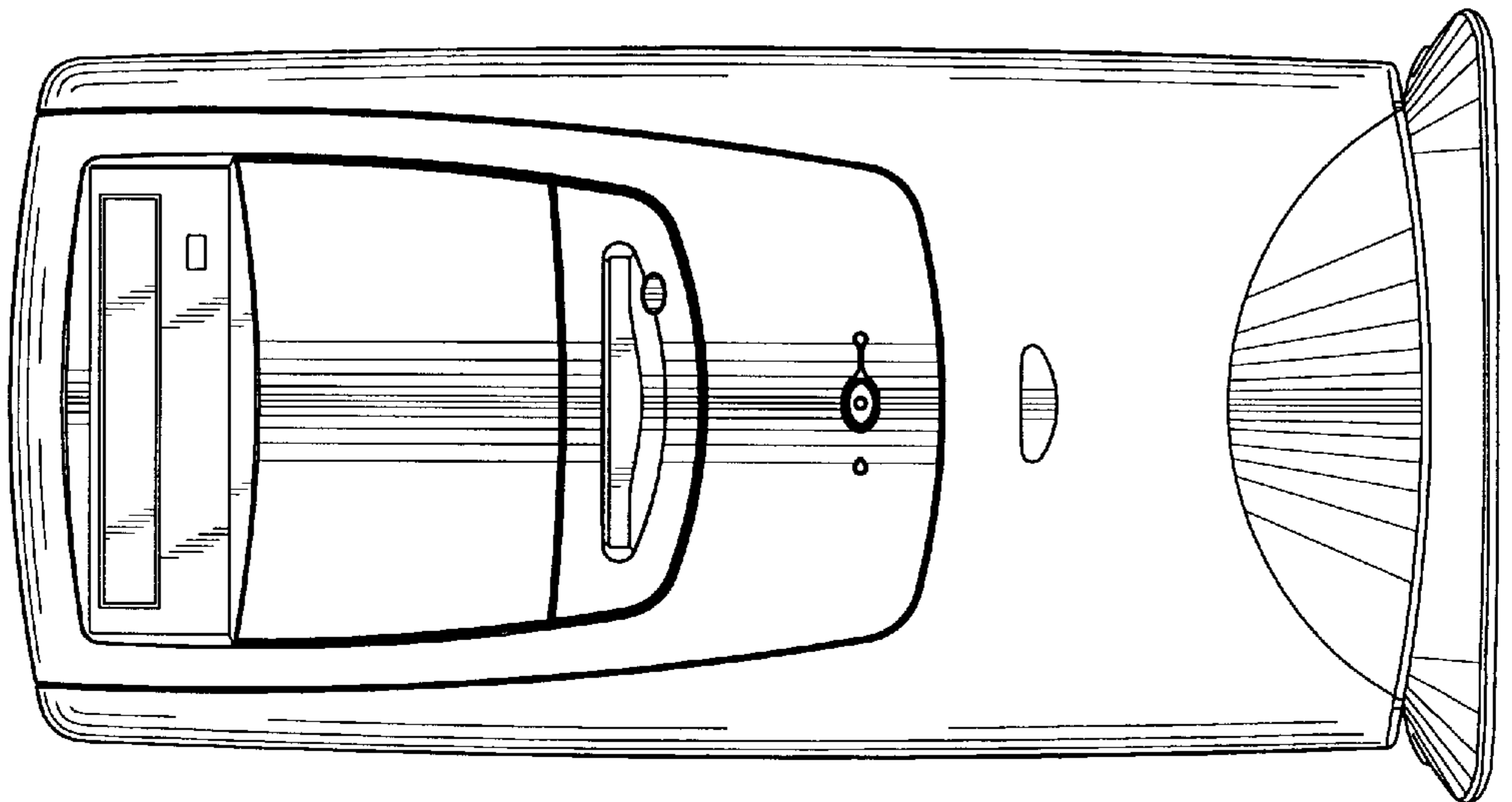


FIG. 4

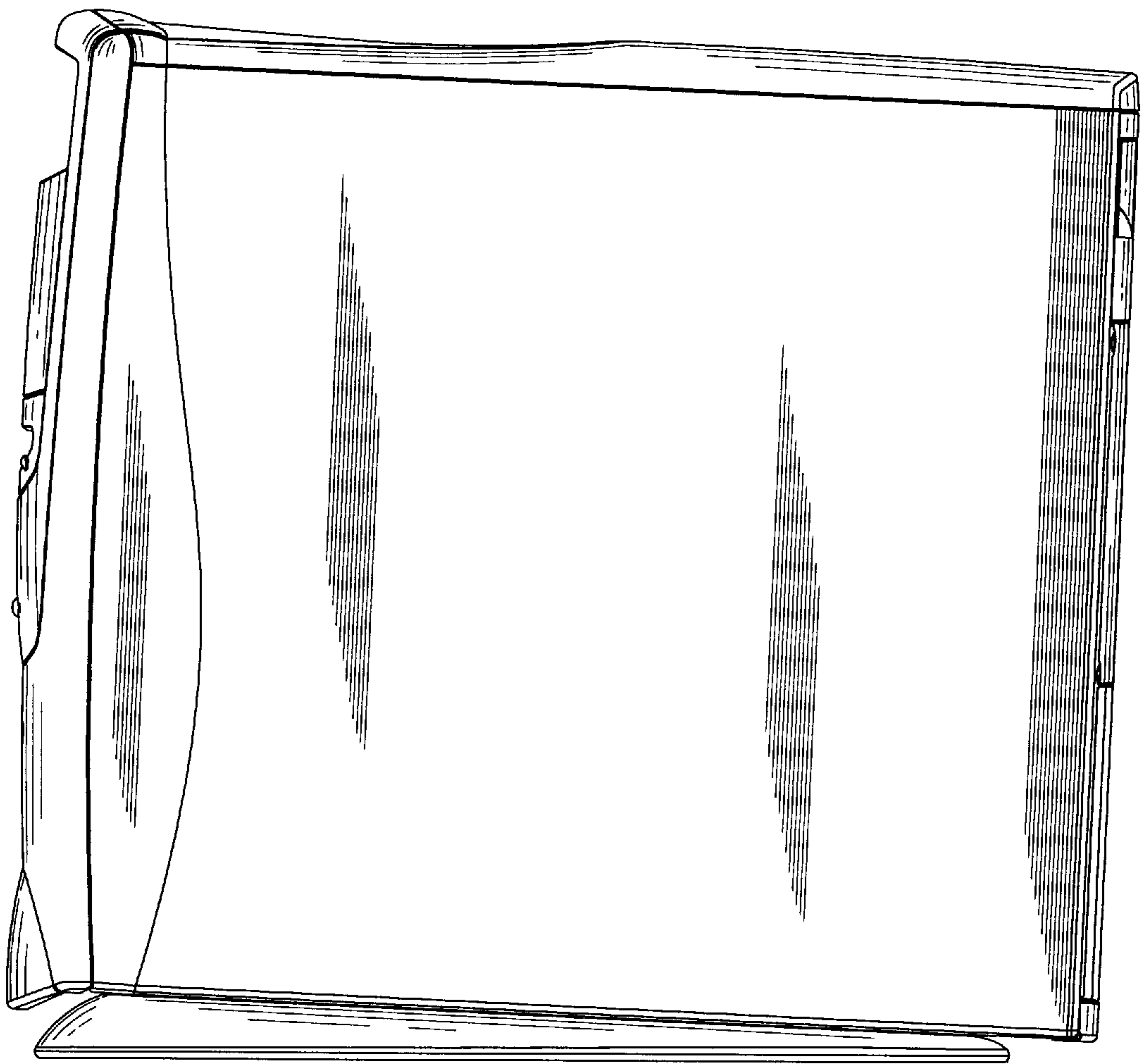


FIG. 6

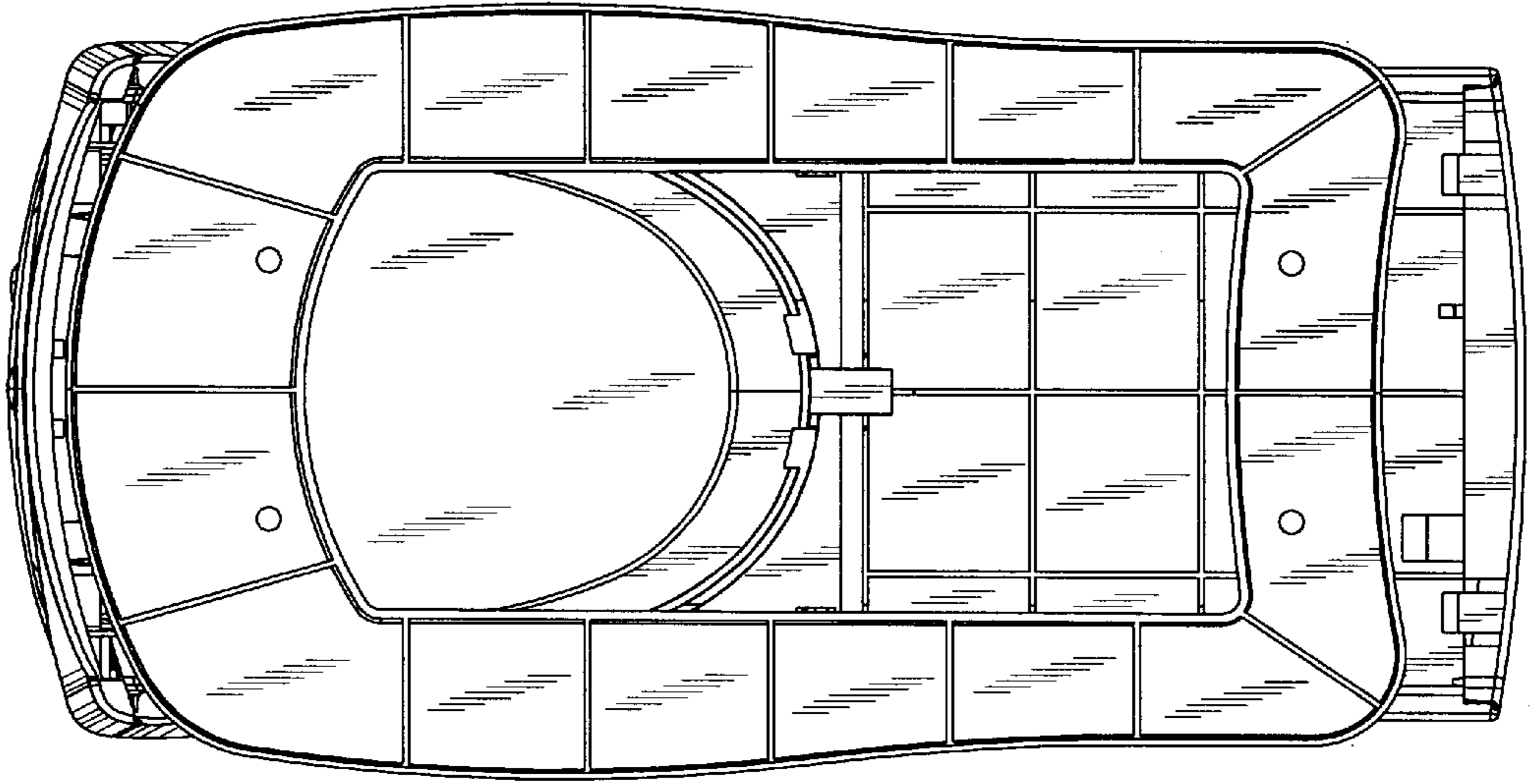


FIG. 5

