



US00D405060S

# United States Patent [19]

Guio et al.

[11] **Patent Number: Des. 405,060**

[45] **Date of Patent: \*\*Feb. 2, 1999**

[54] **ELECTRICAL SWITCHGEAR ASSEMBLY FOR POWER DISTRIBUTION SYSTEMS**

5,717,178 2/1998 Turner et al. .... 200/50.01

[75] Inventors: **Raphael H. Guio**, Palatine; **James A. Hansen**, Morton Grove; **Christopher P. Petrole**, Chicago, all of Ill.

*Primary Examiner*—Brian N. Vinson  
*Attorney, Agent, or Firm*—James V. Lapacek

[73] Assignee: **S&C Electric Company**, Chicago, Ill.

[\*\*] Term: **14 Years**

[57] **CLAIM**  
The ornamental design for an electrical switchgear assembly for power distribution systems, as shown and described.

[21] Appl. No.: **63,043**

[22] Filed: **Aug. 29, 1996**

[51] **LOC (6) Cl.** ..... **13-03**

[52] **U.S. Cl.** ..... **D13/164**

[58] **Field of Search** ..... D13/158, 160, D13/162, 164, 184; 200/50.01, 50.02, 50.11

### DESCRIPTION

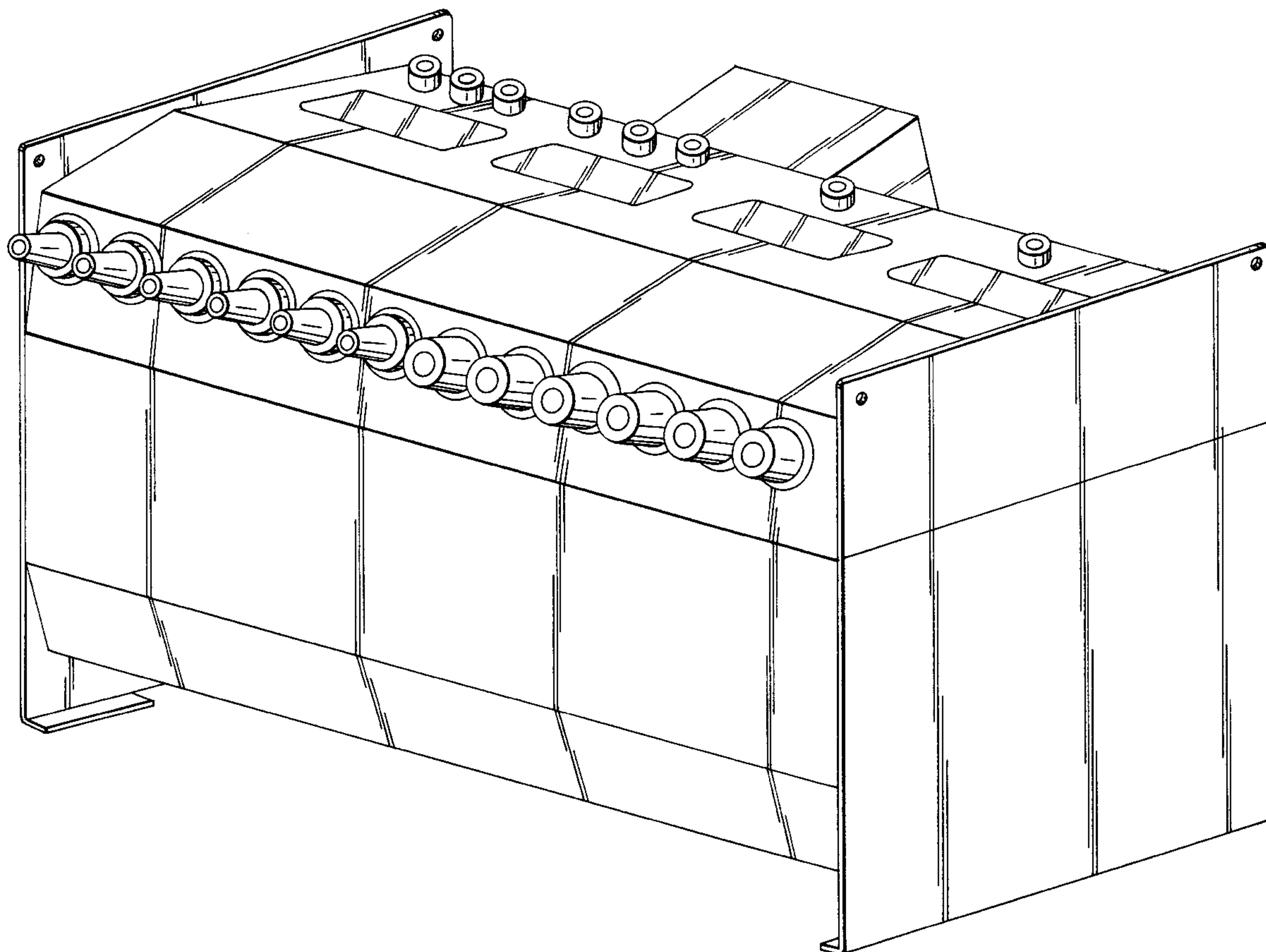
FIG. 1 is a perspective view of an electrical switchgear assembly for power distribution systems showing our new design;  
FIG. 2 is a top plan view thereof;  
FIG. 3 is a bottom plan view thereof;  
FIG. 4 is a right side elevational view thereof;  
FIG. 5 is a left side elevational view thereof;  
FIG. 6 is a front elevational view thereof; and,  
FIG. 7 is rear elevational view thereof.

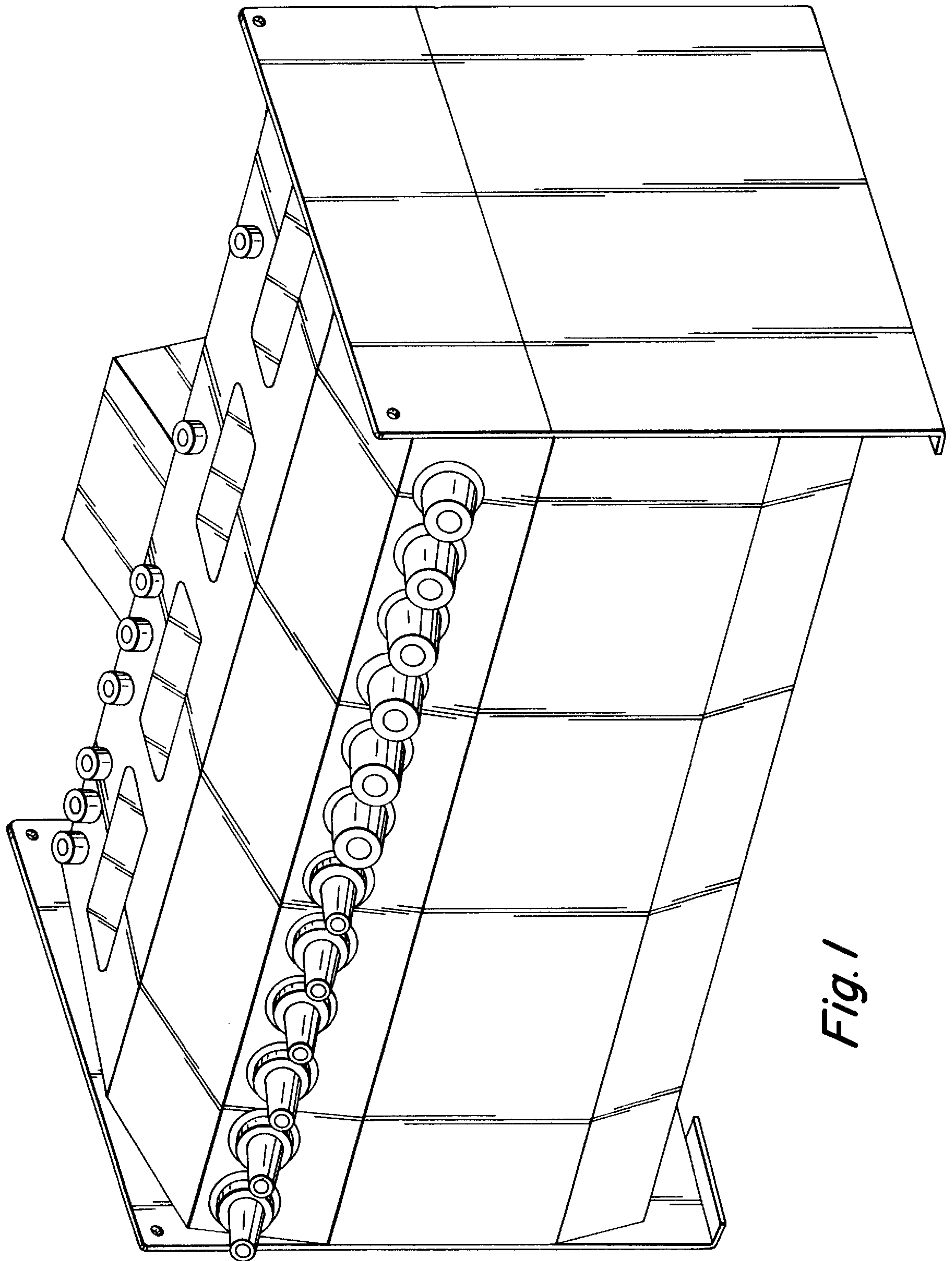
### [56] **References Cited**

#### U.S. PATENT DOCUMENTS

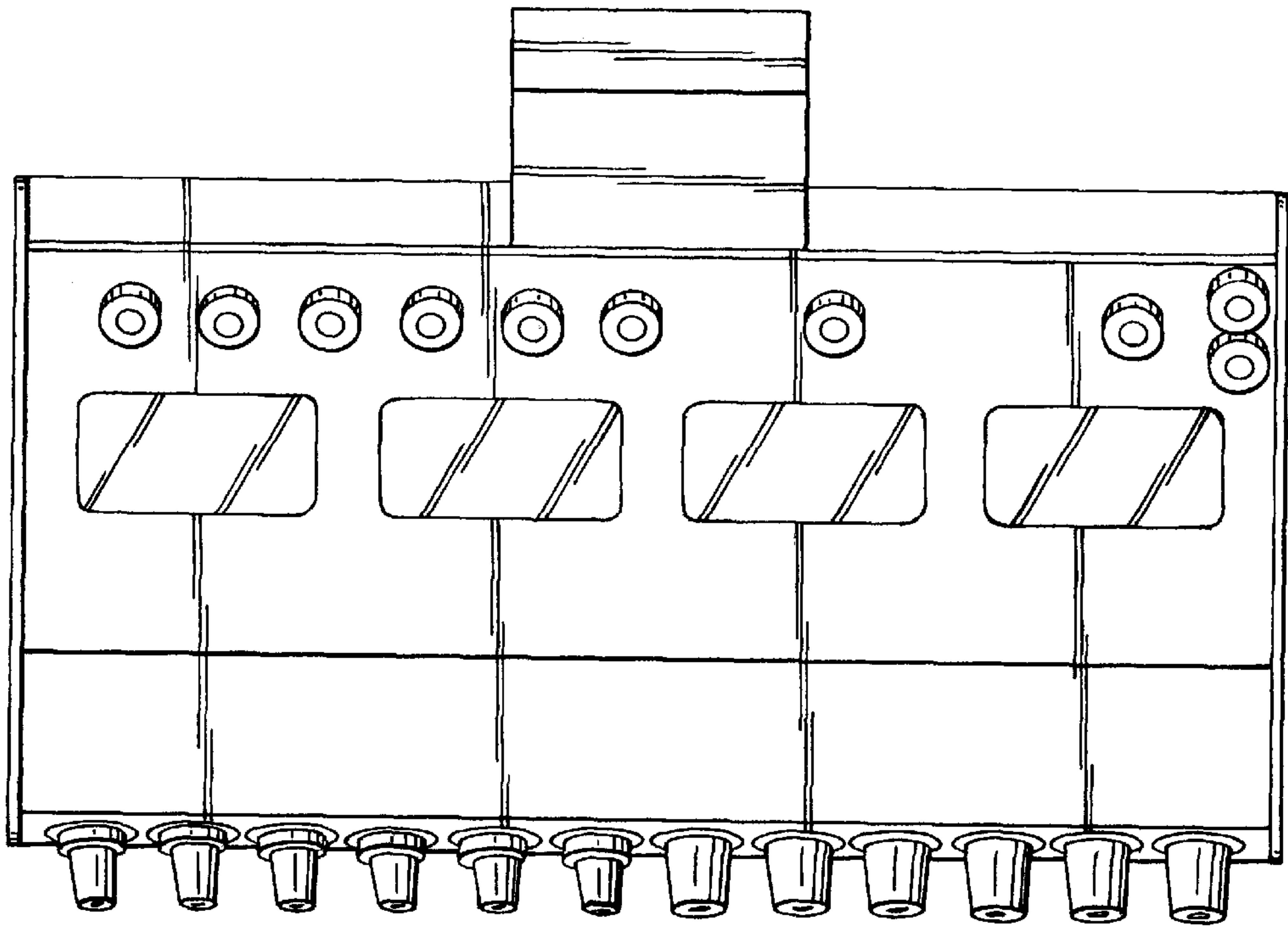
4,724,288 2/1988 Kugler ..... 200/50.01

**1 Claim, 4 Drawing Sheets**

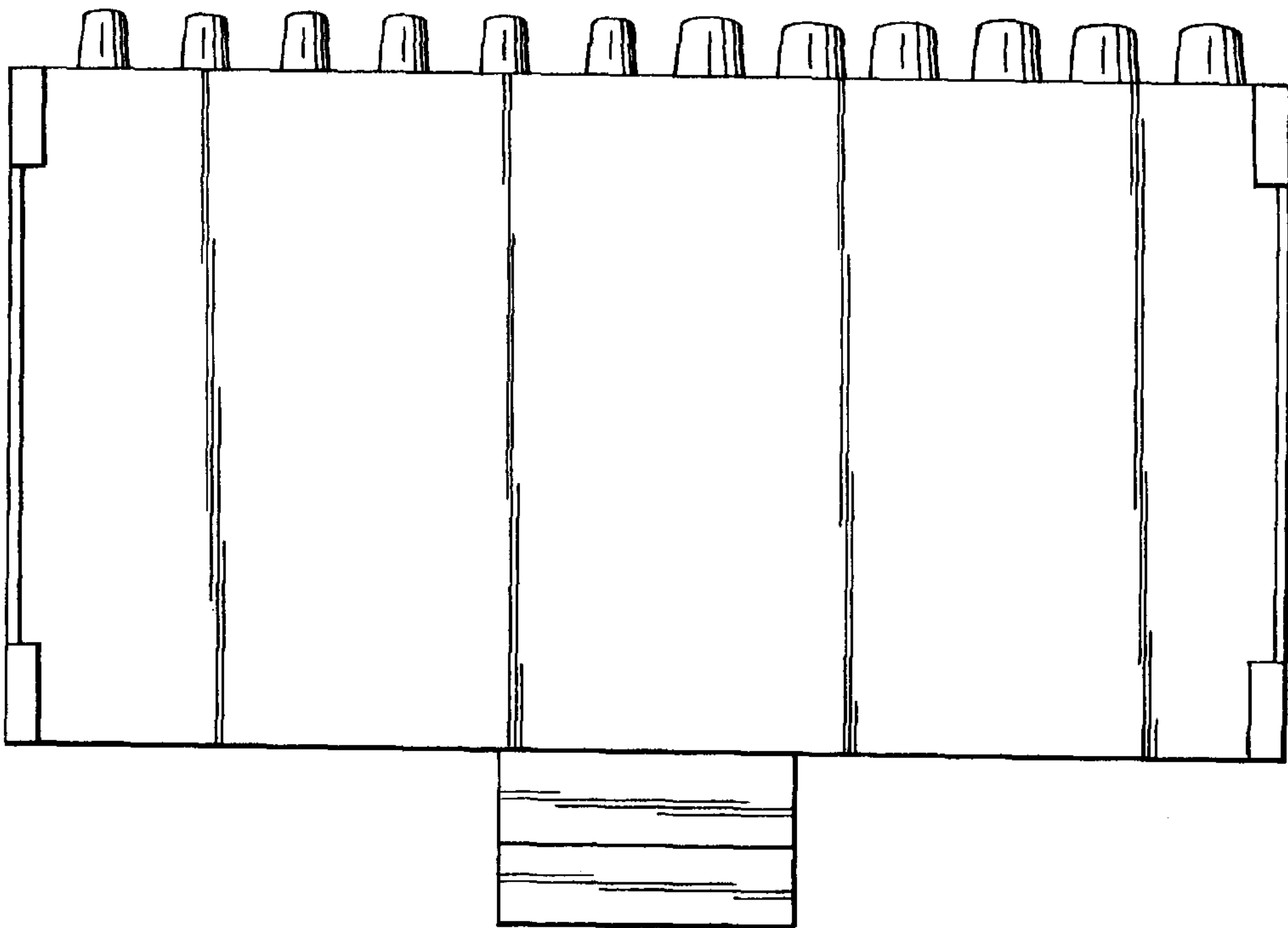




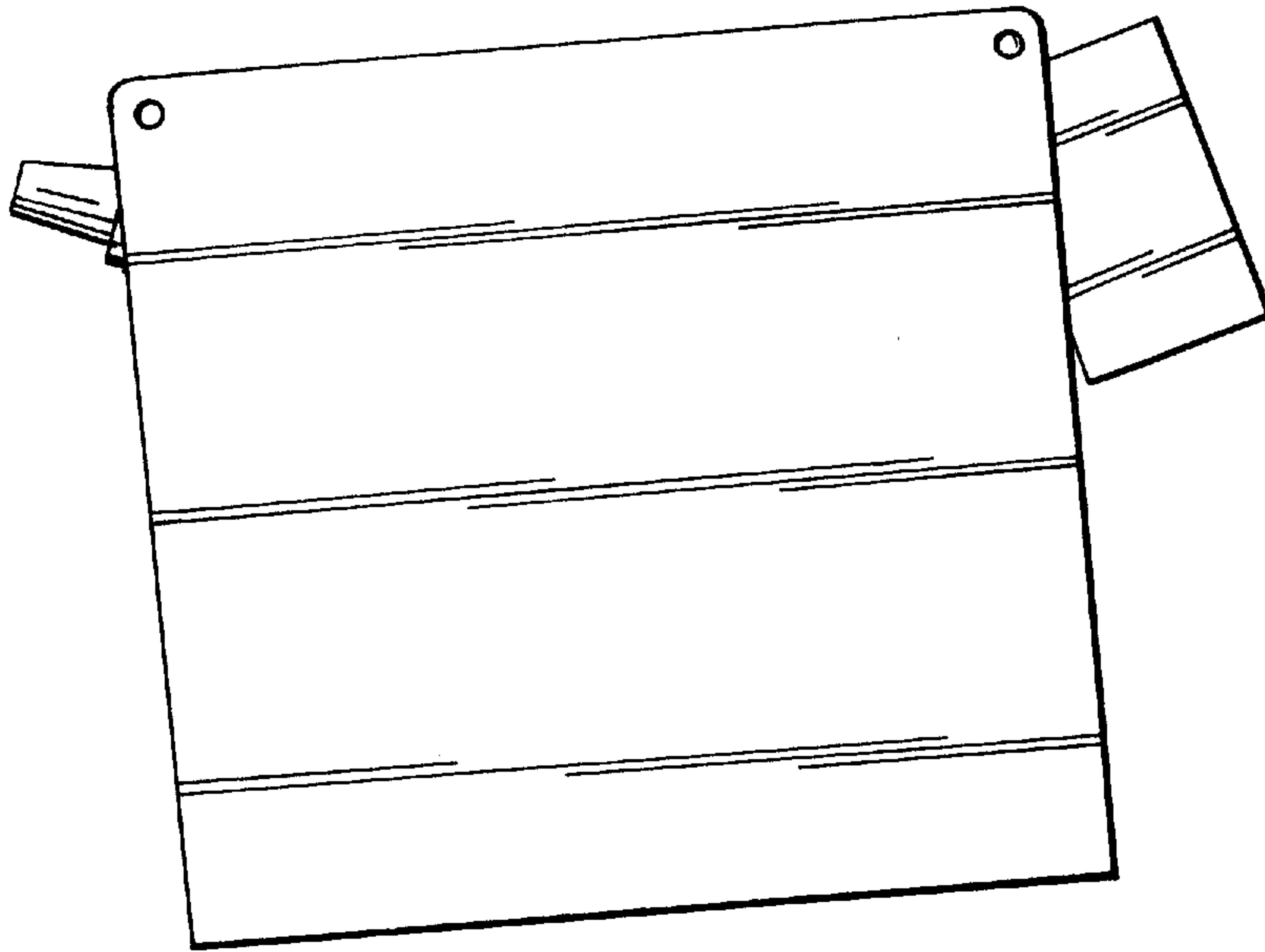
*Fig. 1*



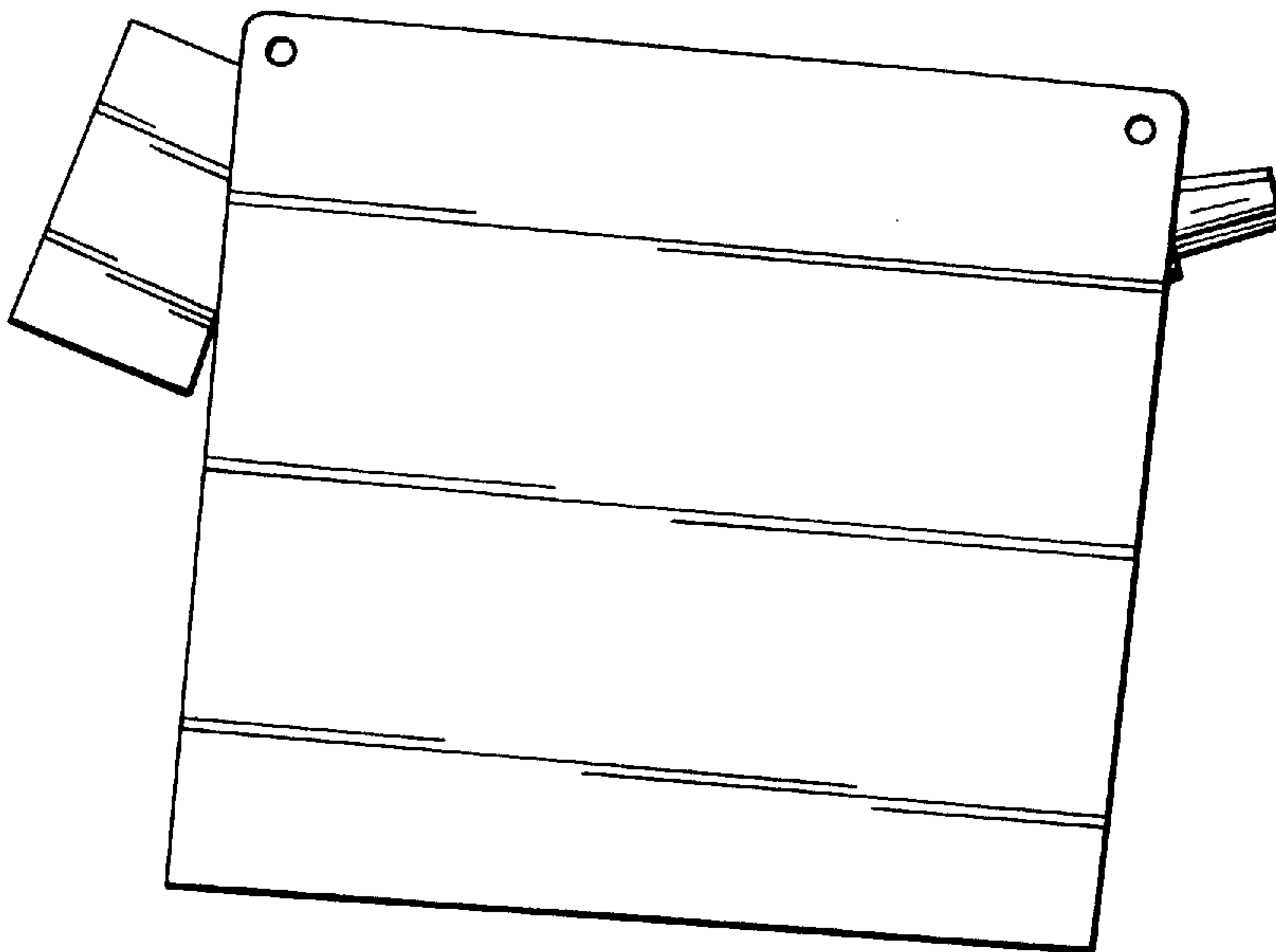
*Fig. 2*



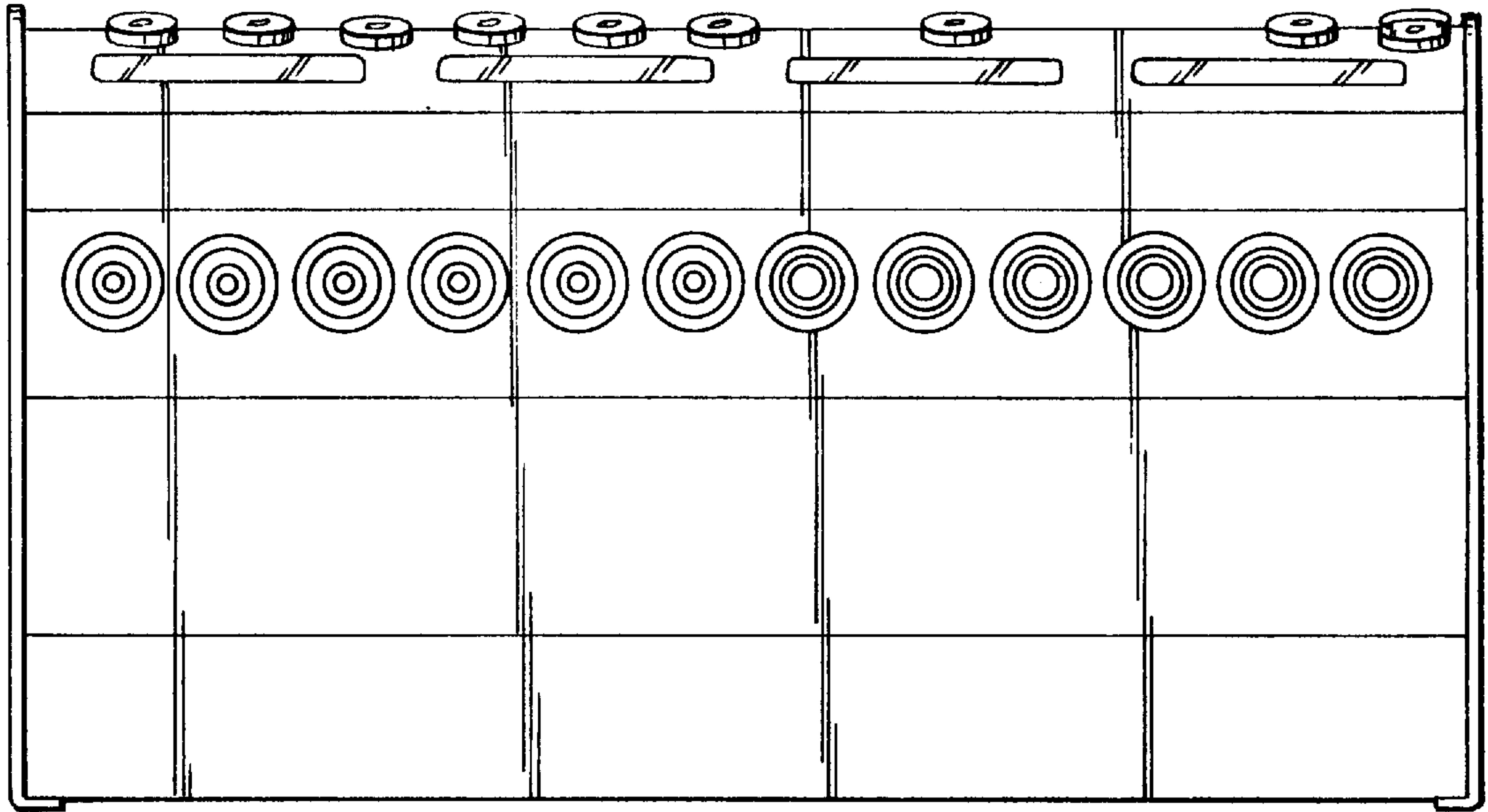
*Fig. 3*



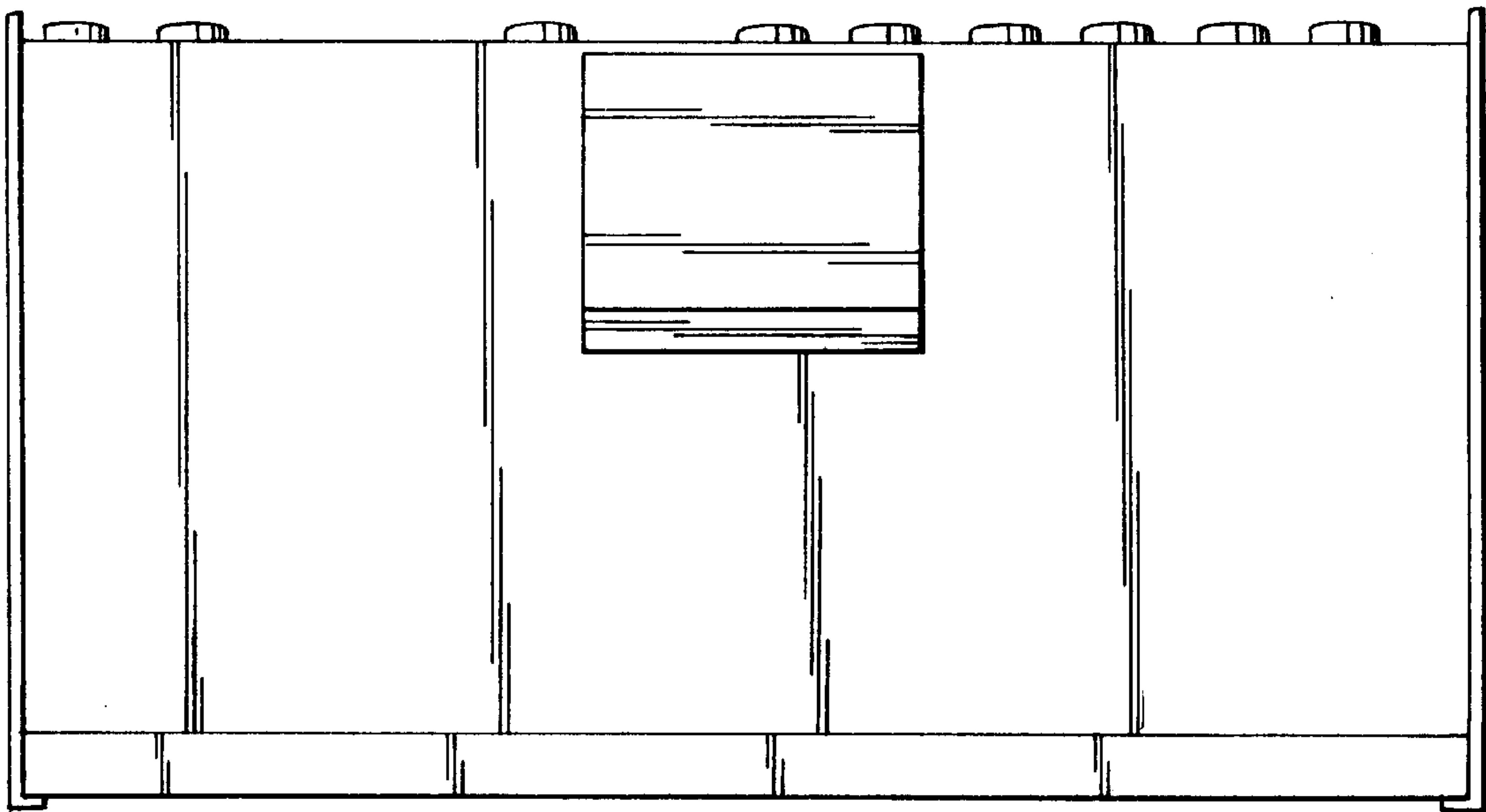
*Fig. 4*



*Fig. 5*



*Fig. 6*



*Fig. 7*