



US00D405058S

# United States Patent [19] Nakamura

[11] **Patent Number:** **Des. 405,058**

[45] **Date of Patent:** **\*\*Feb. 2, 1999**

[54] **INSULATING COVER FOR A TERMINAL**

5,346,407 9/1994 Hood ..... 439/892

[75] Inventor: **Toshinobu Nakamura**, Tokyo, Japan

*Primary Examiner*—Joel Sincavage  
*Attorney, Agent, or Firm*—Frishauf, Holtz, Goodman,  
Langer & Chick

[73] Assignee: **Shinagawa Shoko Co., Ltd.**, Tokyo,  
Japan

[\*\*] Term: **14 Years**

### [57] CLAIM

[21] Appl. No.: **79,311**

The ornamental design for an insulating cover for a terminal,  
as shown and described.

[22] Filed: **Nov. 12, 1997**

### DESCRIPTION

### [30] Foreign Application Priority Data

May 20, 1997 [JP] Japan ..... 9-54727

FIG. 1 is a front, top plan and left side perspective view of  
an insulating cover for a terminal, showing my new design;  
FIG. 2 is a rear, top plan and right side perspective view  
thereof;

[51] **LOC (6) Cl.** ..... **13-03**

FIG. 3 is a front elevational view thereof;

[52] **U.S. Cl.** ..... **D13/156**

FIG. 4 is a rear elevational view thereof;

[58] **Field of Search** ..... D13/156, 120;  
174/138 F, 135; 439/596, 692, 467, 687,  
902

FIG. 5 is a top plan view thereof;

FIG. 6 is a bottom plan view thereof;

FIG. 7 is a left side view thereof;

FIG. 8 is a right side view thereof;

### [56] References Cited

#### U.S. PATENT DOCUMENTS

D. 203,828	2/1966	Wells	.....	D13/156
D. 304,440	11/1989	Drake	.....	D13/120
D. 316,398	4/1991	Hill	.....	D13/120
D. 385,256	10/1997	Nakamura	.....	D13/156
3,332,053	7/1967	Busler	.....	439/596 X
3,534,150	10/1970	Kudlaty	.....	174/138 F
4,698,459	10/1987	Drake	.....	174/138 F
4,759,723	7/1988	Siemon	.....	439/467 X
5,190,475	3/1993	Dickens	.....	174/138 F X

FIG. 9 is a front, bottom and right side perspective view  
thereof, in an open state;

FIG. 10 is a rear, bottom and left side perspective view  
thereof, in the open state;

FIG. 11 is a front elevational view thereof in the open state;

FIG. 12 is a rear elevational view thereof in the open state;

FIG. 13 is a top plan view thereof in the open state;

FIG. 14 is a bottom plan view thereof in the open state;

FIG. 15 is a left side view thereof in the open state; and,

FIG. 16 is a right side view thereof in the open state.

**1 Claim, 4 Drawing Sheets**

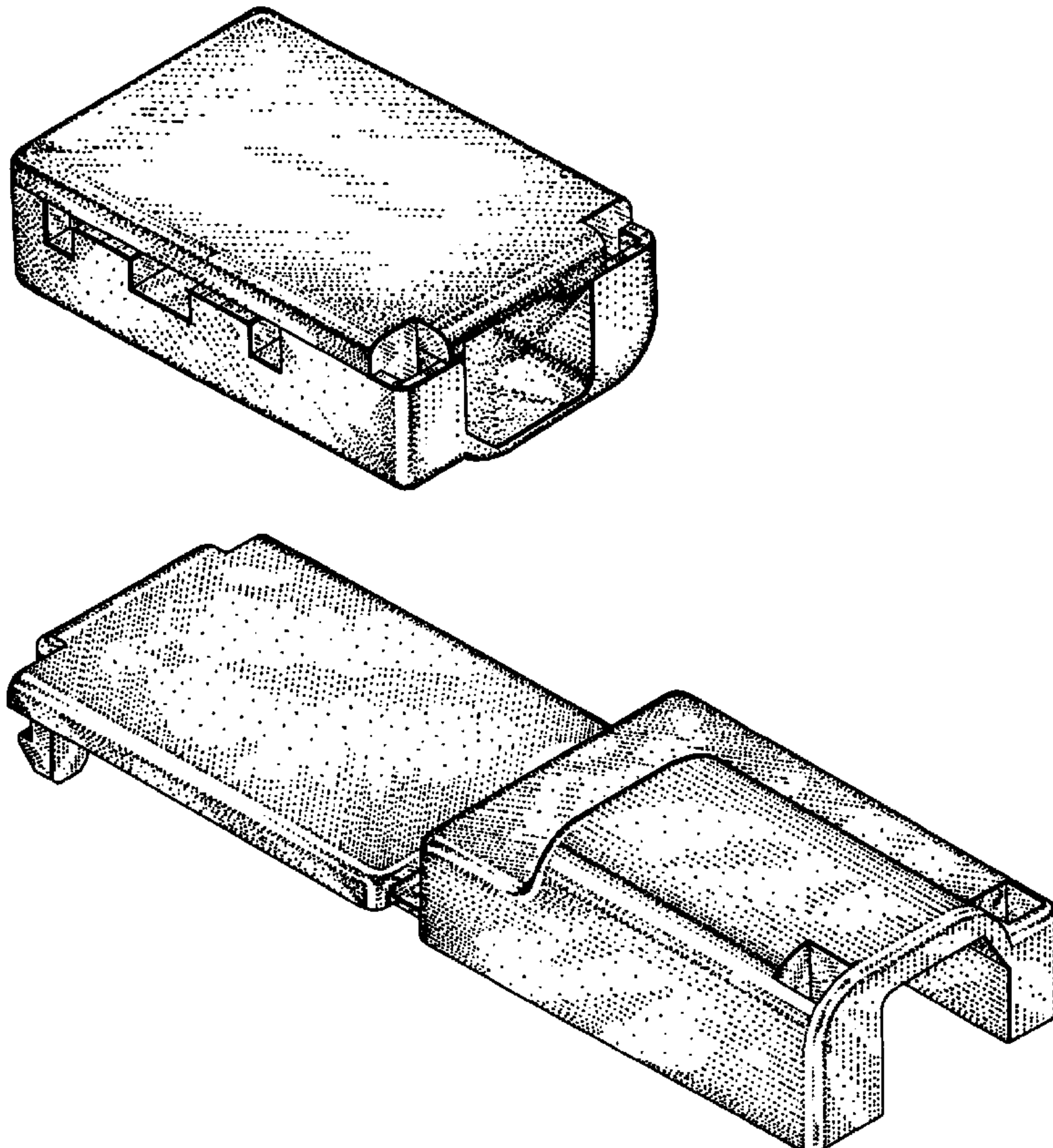


FIG. 1

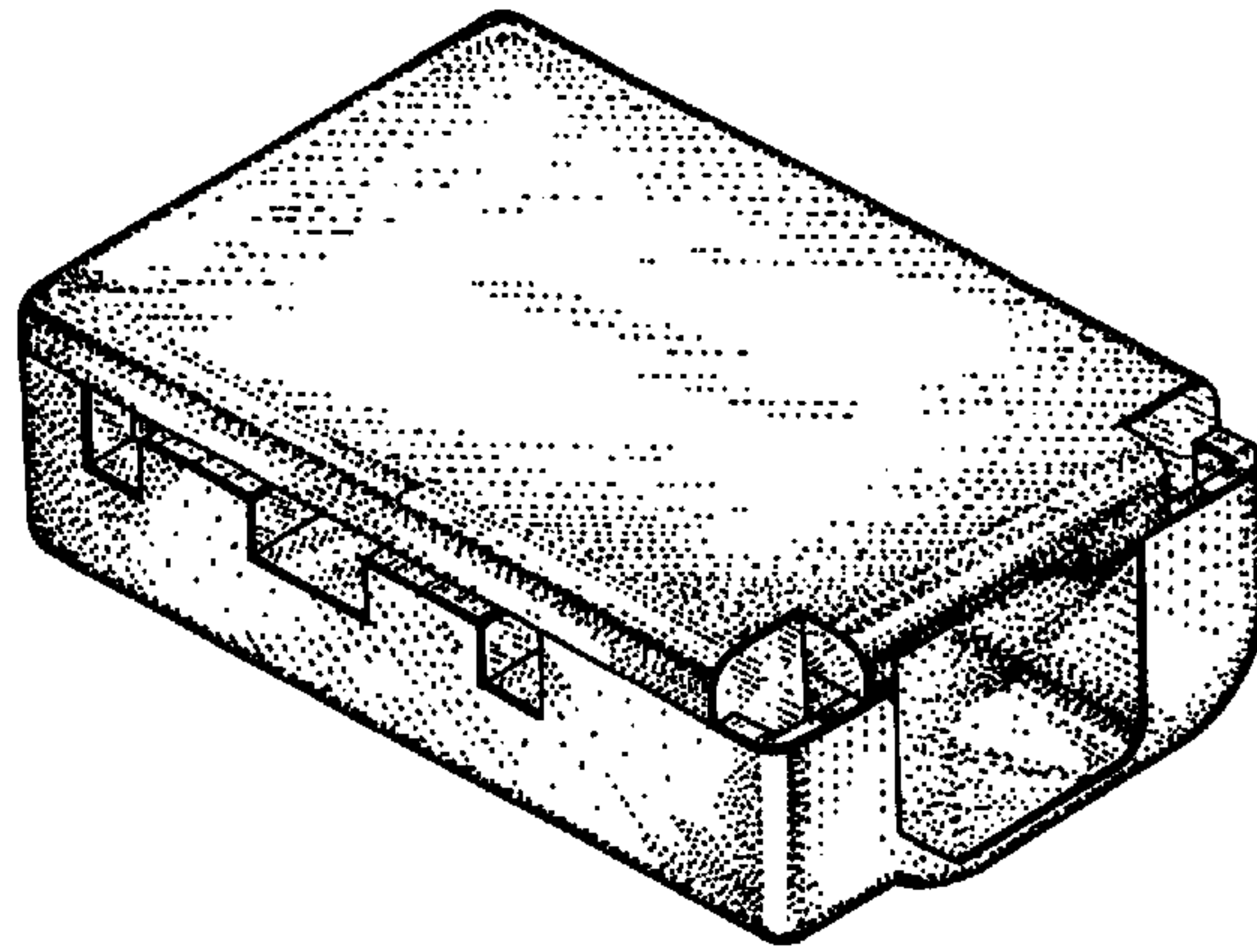


FIG. 2

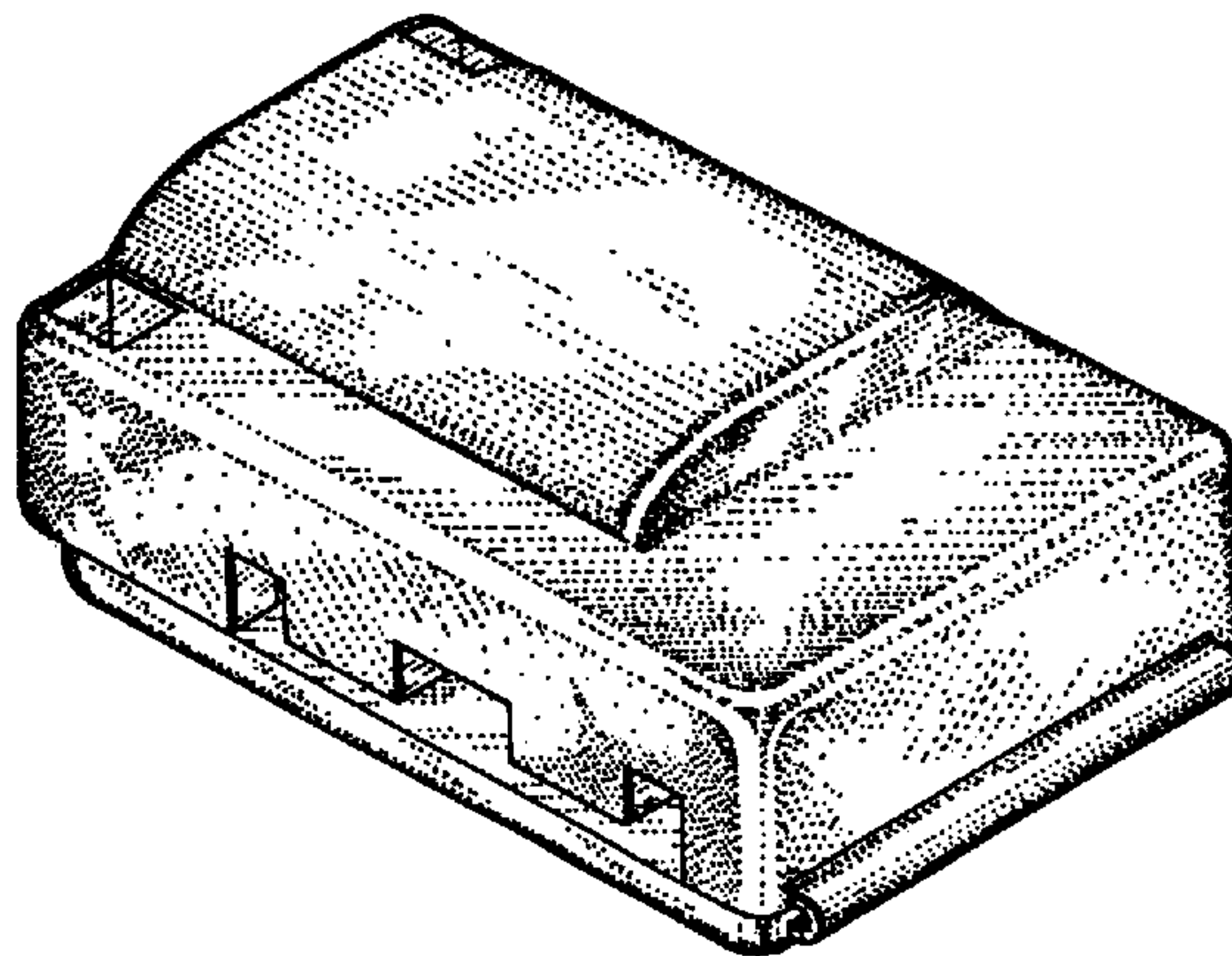


FIG. 3

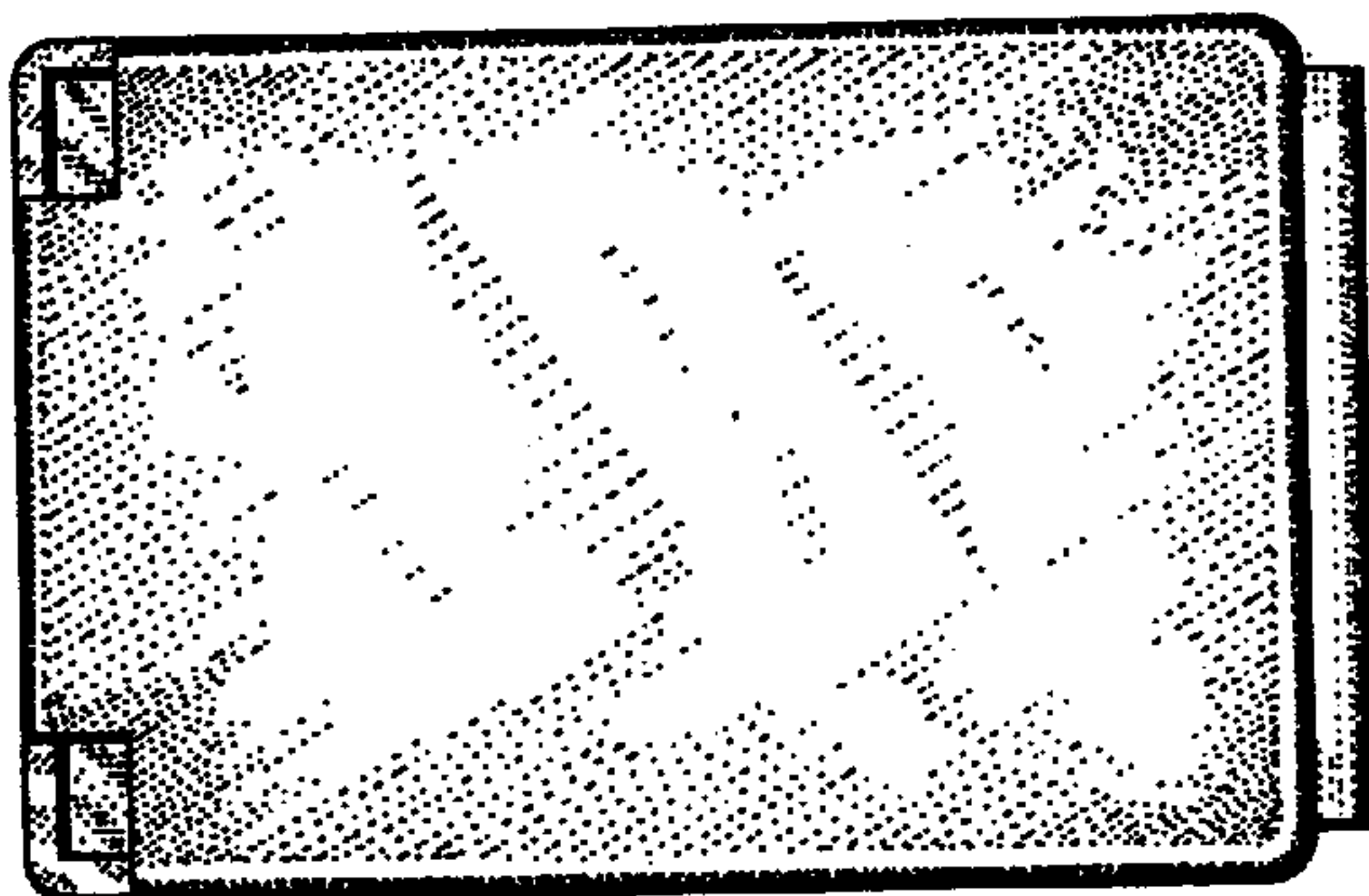
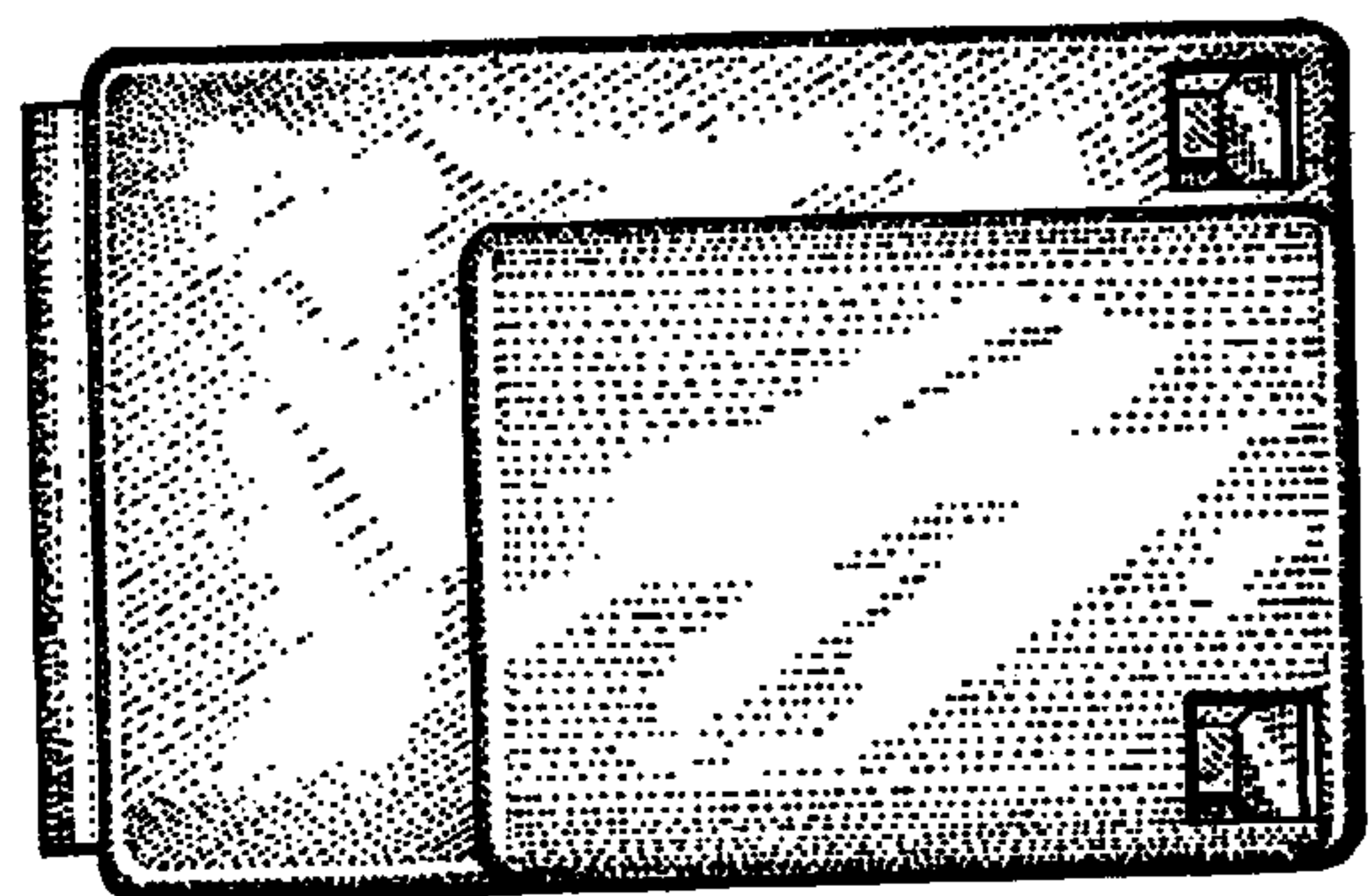
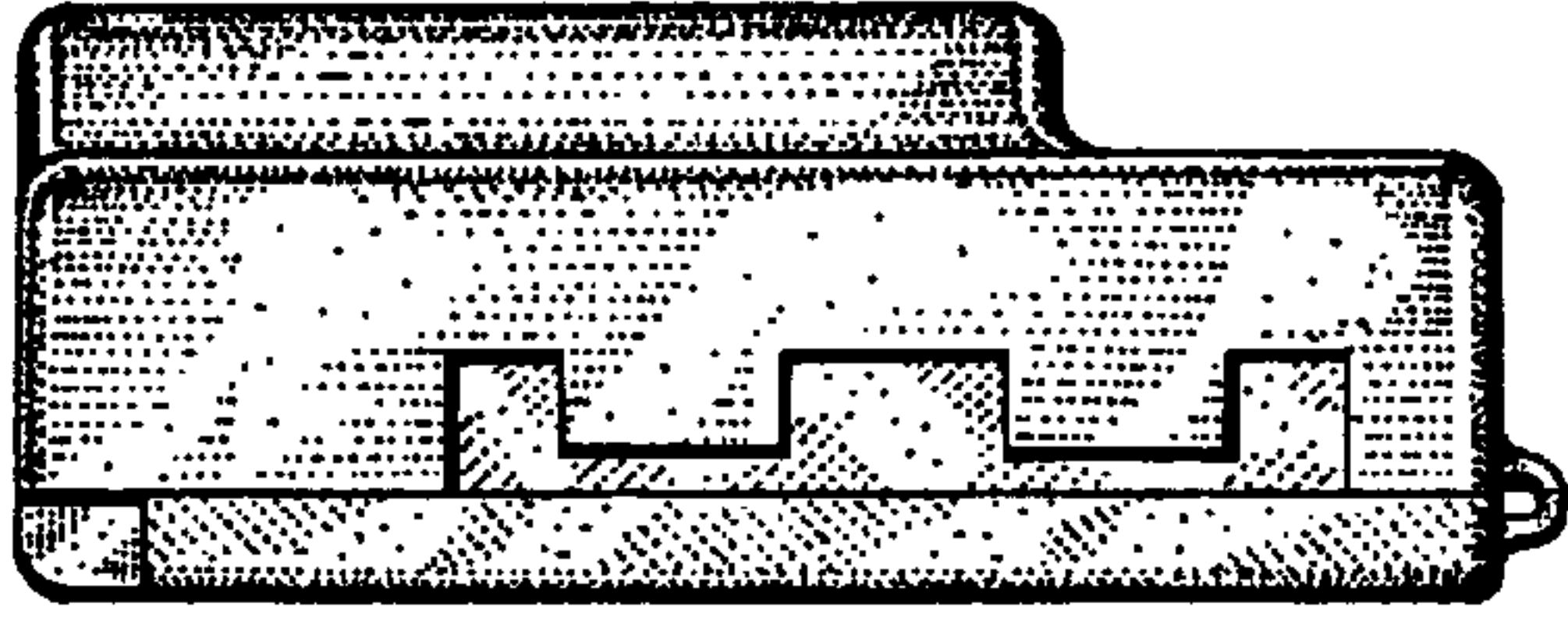


FIG. 4

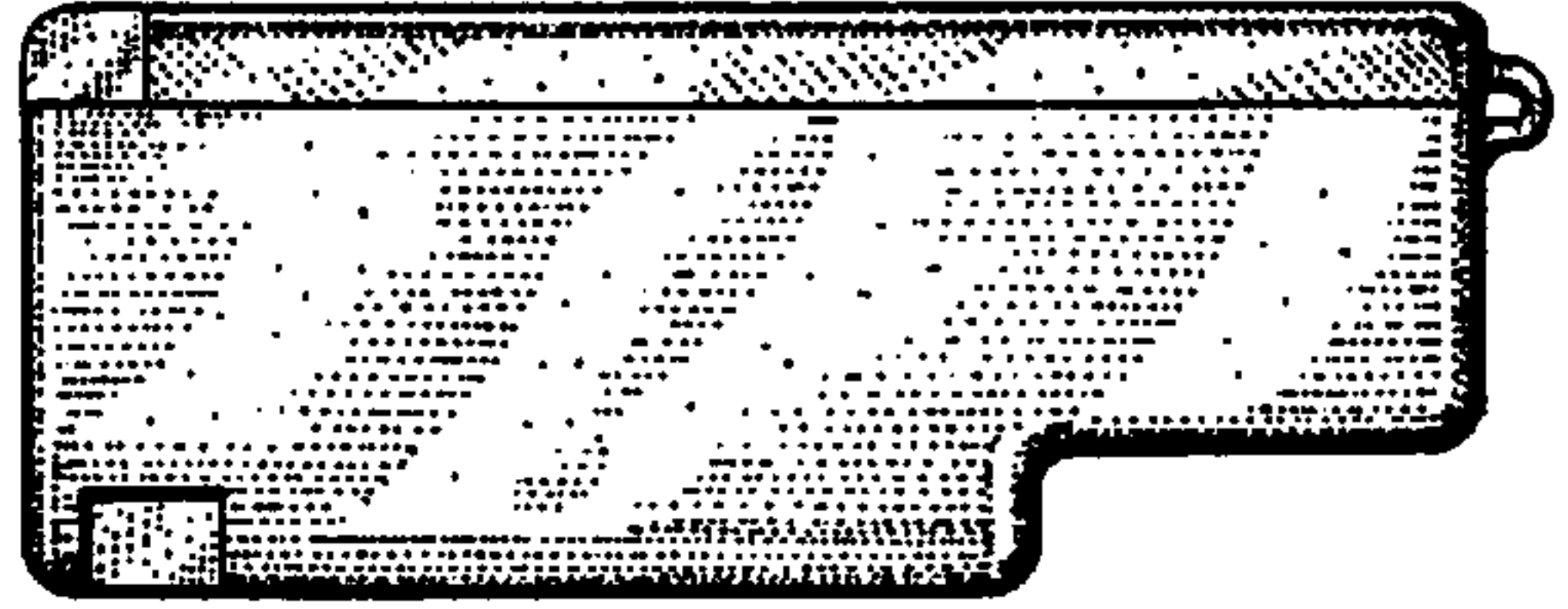




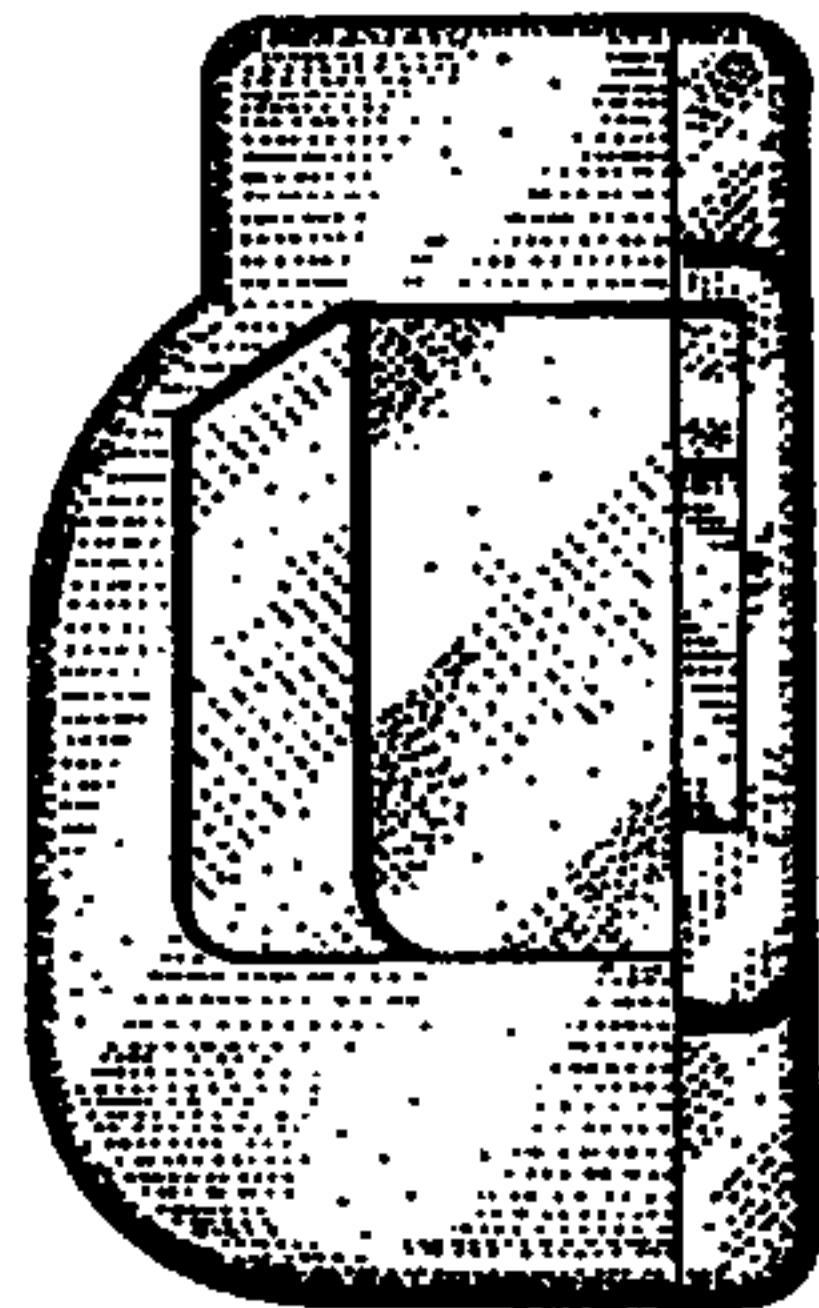
**FIG. 5**



**FIG. 6**



**FIG. 7**



**FIG. 8**

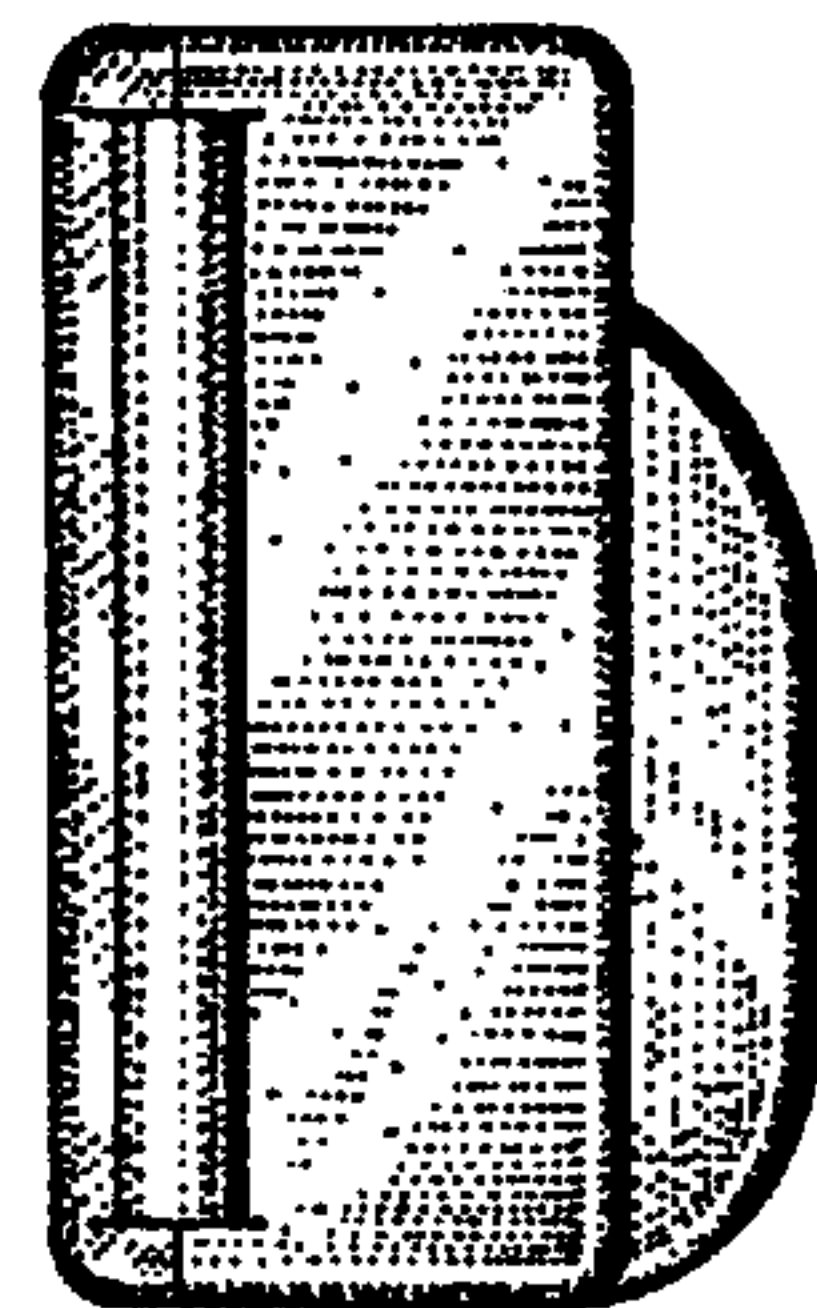


FIG. 9

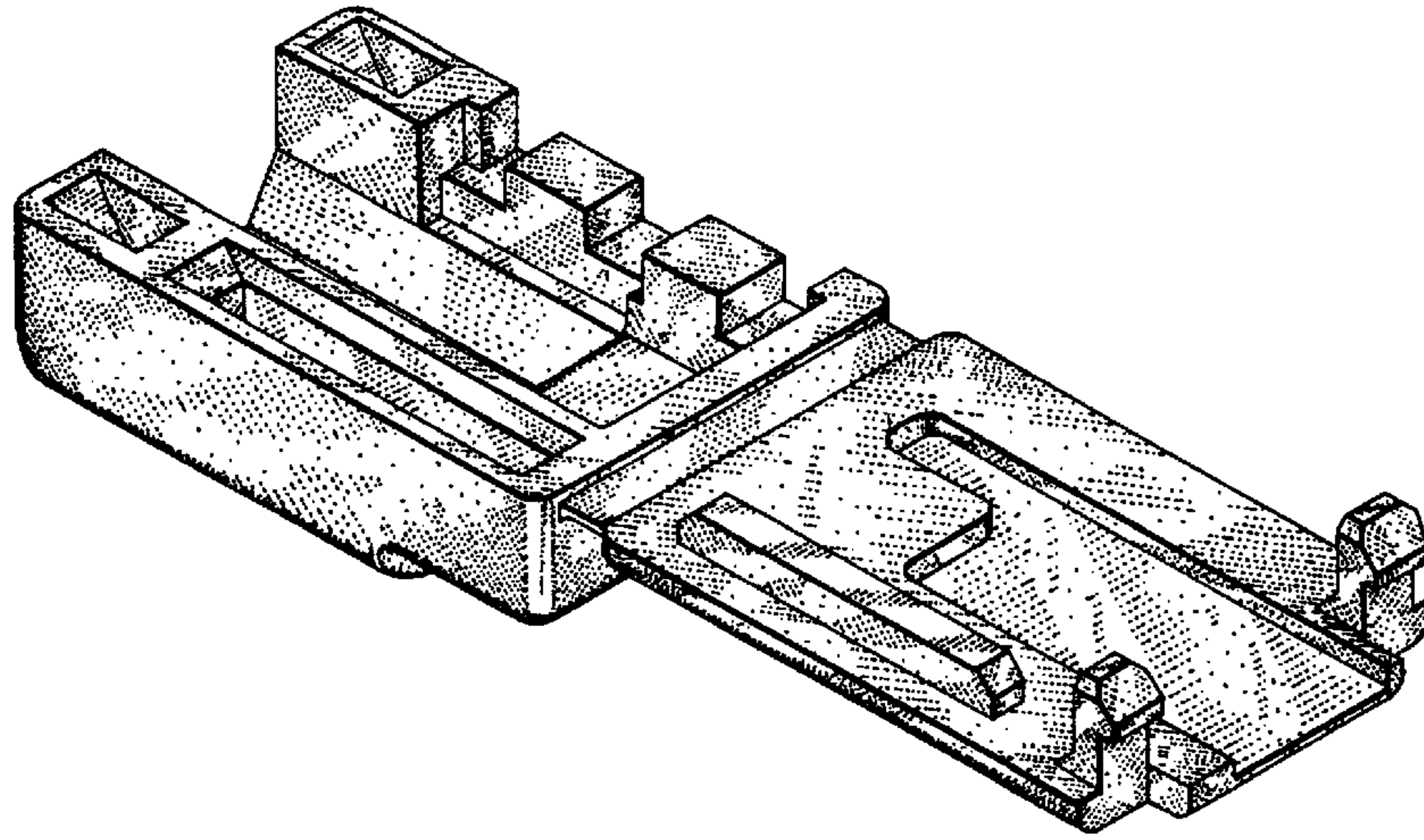


FIG. 10

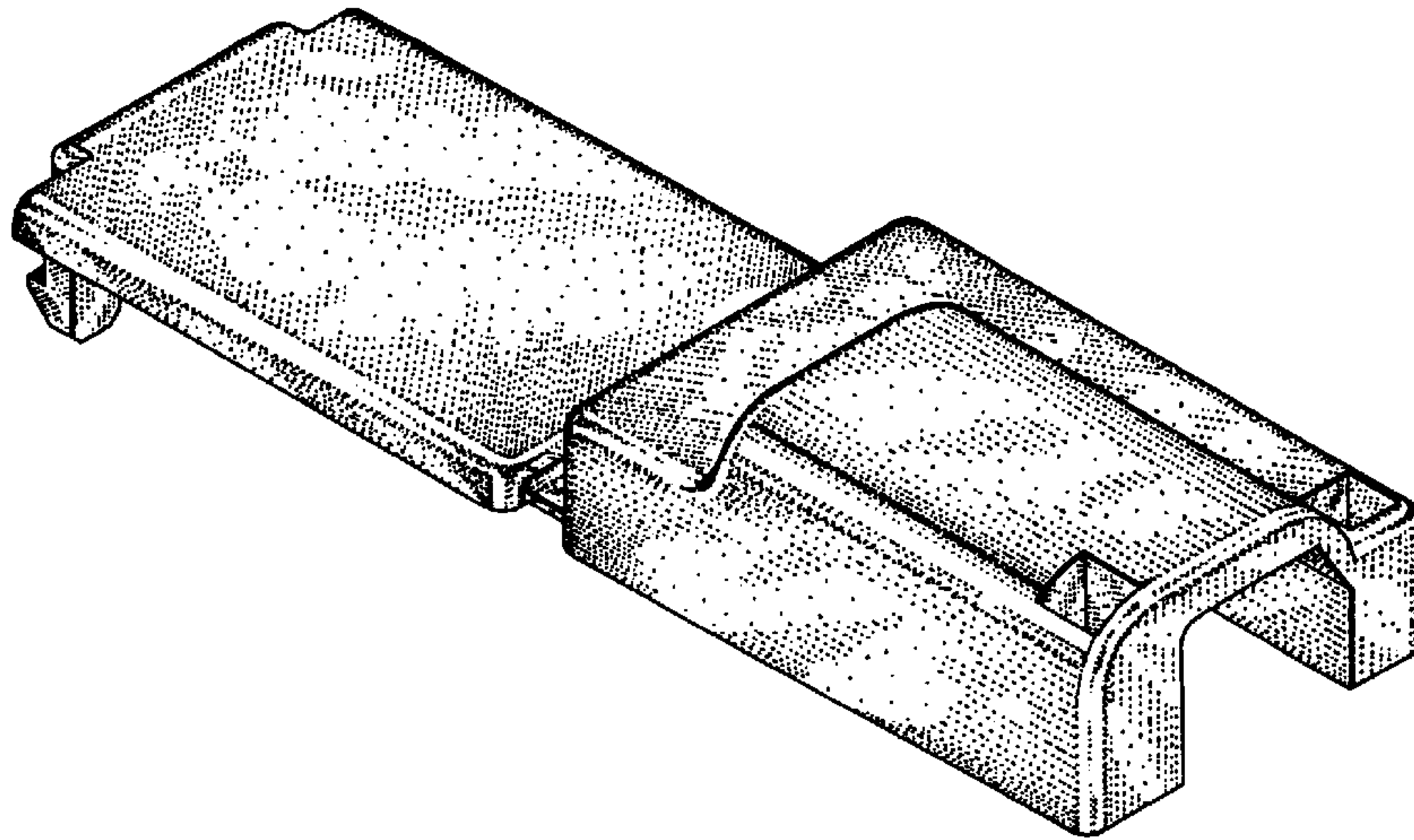


FIG. 11

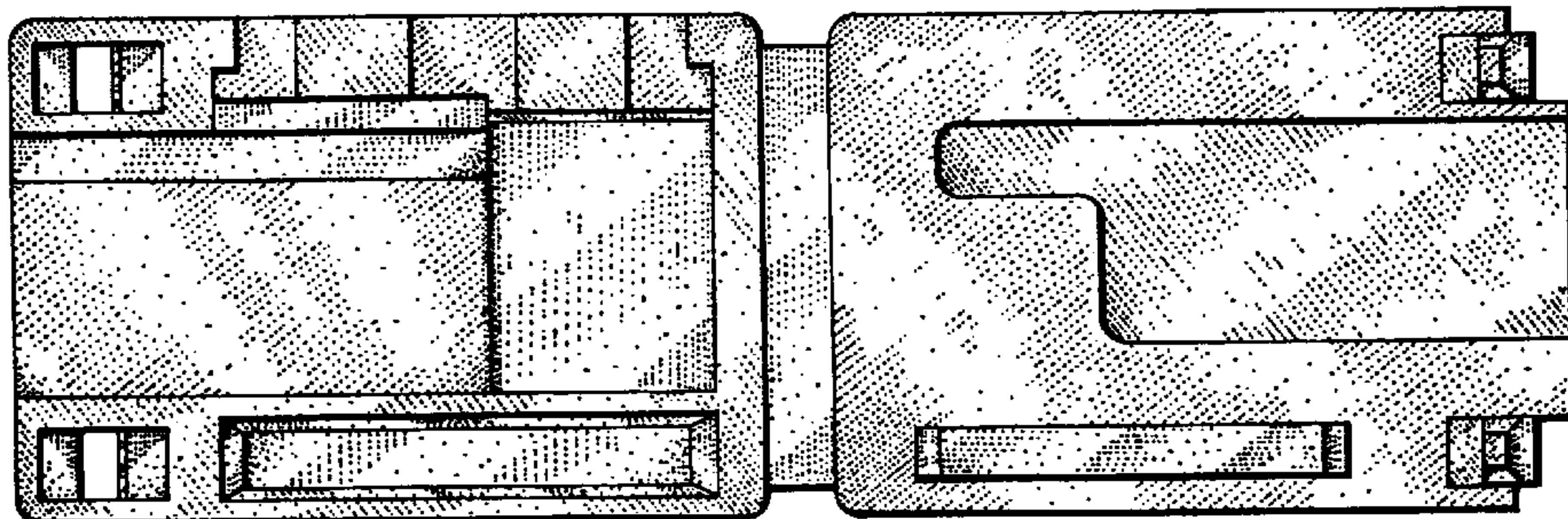




FIG.12

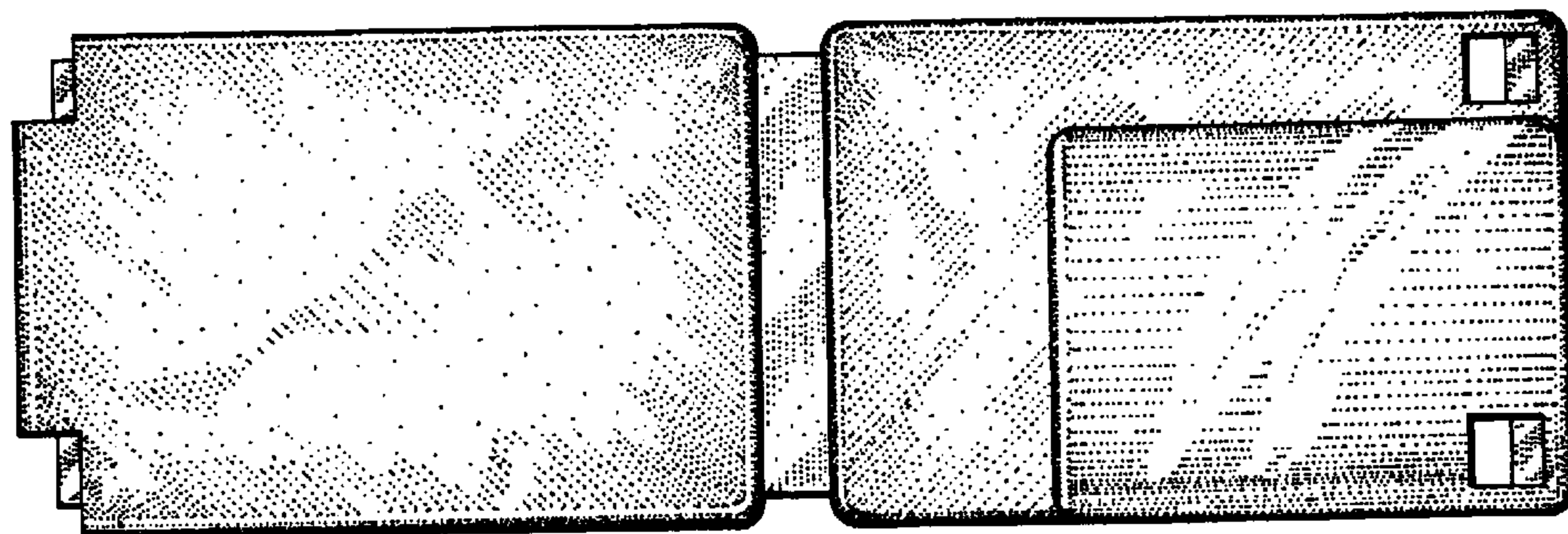


FIG.13

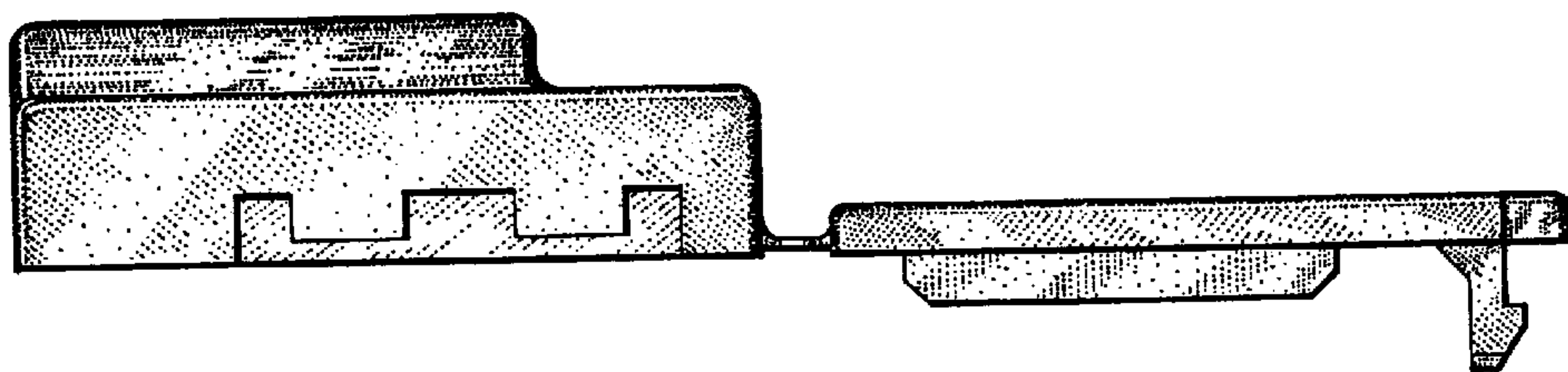


FIG.14

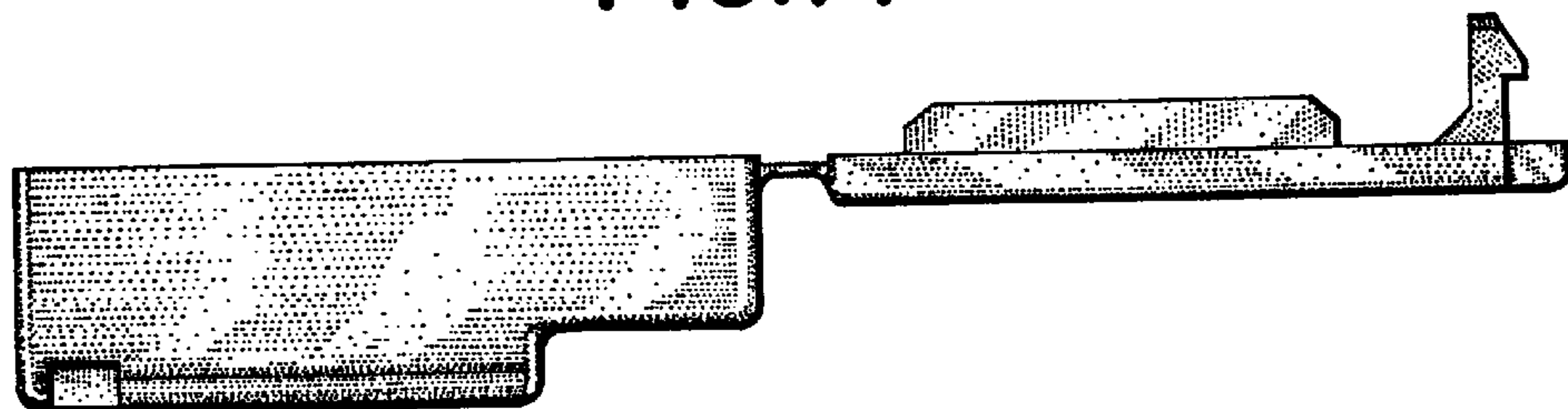


FIG.15

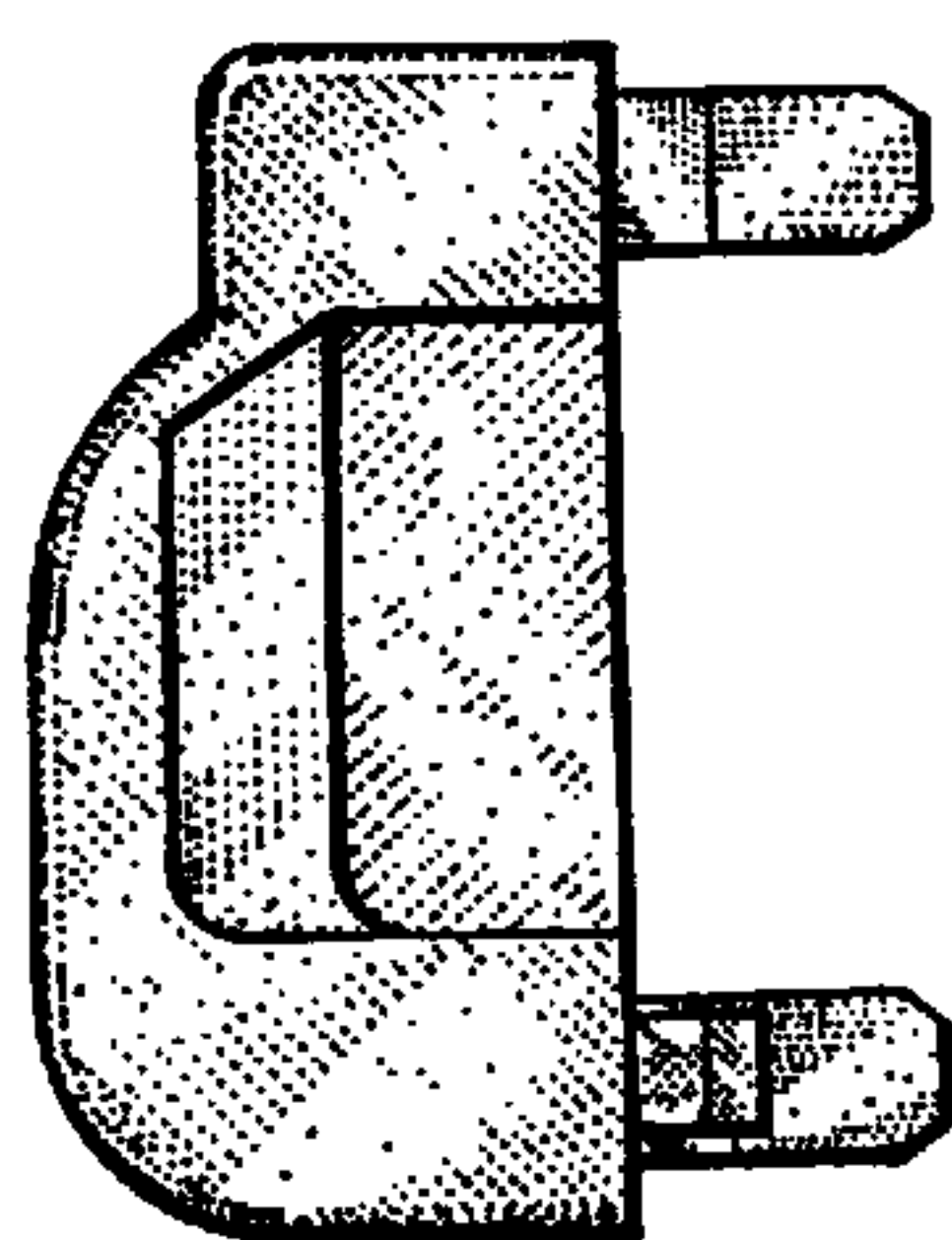


FIG.16

