



US00D405055S

United States Patent [19] Taylor

[11] **Patent Number: Des. 405,055**

[45] **Date of Patent: **Feb. 2, 1999**

[54] **ELECTRICAL TERMINAL HOUSING**

5,632,656 5/1997 Lo 439/717 X

[75] Inventor: **Robert William Taylor**, Surrey, England

Primary Examiner—Joel Sincavage
Attorney, Agent, or Firm—McCormick, Paulding & Huber

[73] Assignee: **Cliff Electronic Components Limited**, Surrey, England

[57] **CLAIM**

[**] Term: **14 Years**

The ornamental design for a electrical terminal housing, as shown and described.

[21] Appl. No.: **80,426**

[22] Filed: **Dec. 9, 1997**

[30] **Foreign Application Priority Data**

Jun. 9, 1997 [GB] United Kingdom 2066438

[51] **LOC (6) Cl.** **13-03**

[52] **U.S. Cl.** **D13/154; D13/133**

[58] **Field of Search** **D13/133; 174/138 F, 174/169; 439/335, 717, 459**

DESCRIPTION

FIG. 1 is a perspective view illustrating the front, right hand side and top of the electrical terminal housing of the present invention with the top open;

FIG. 2 is a perspective view illustrating the front, left hand side and top of the electrical terminal housing of the present invention with the top open;

FIG. 3 is a left side elevational view of the electrical terminal housing of the present invention with the top open;

FIG. 4 is a front elevational view of the electrical terminal housing of the present invention with the top open;

FIG. 5 is a right side view of the electrical terminal housing of the present invention with the top open;

FIG. 6 is a rear elevational view of the electrical terminal housing of the present invention with the top open;

FIG. 7 is a top view of the electrical terminal housing of the present invention with the top open;

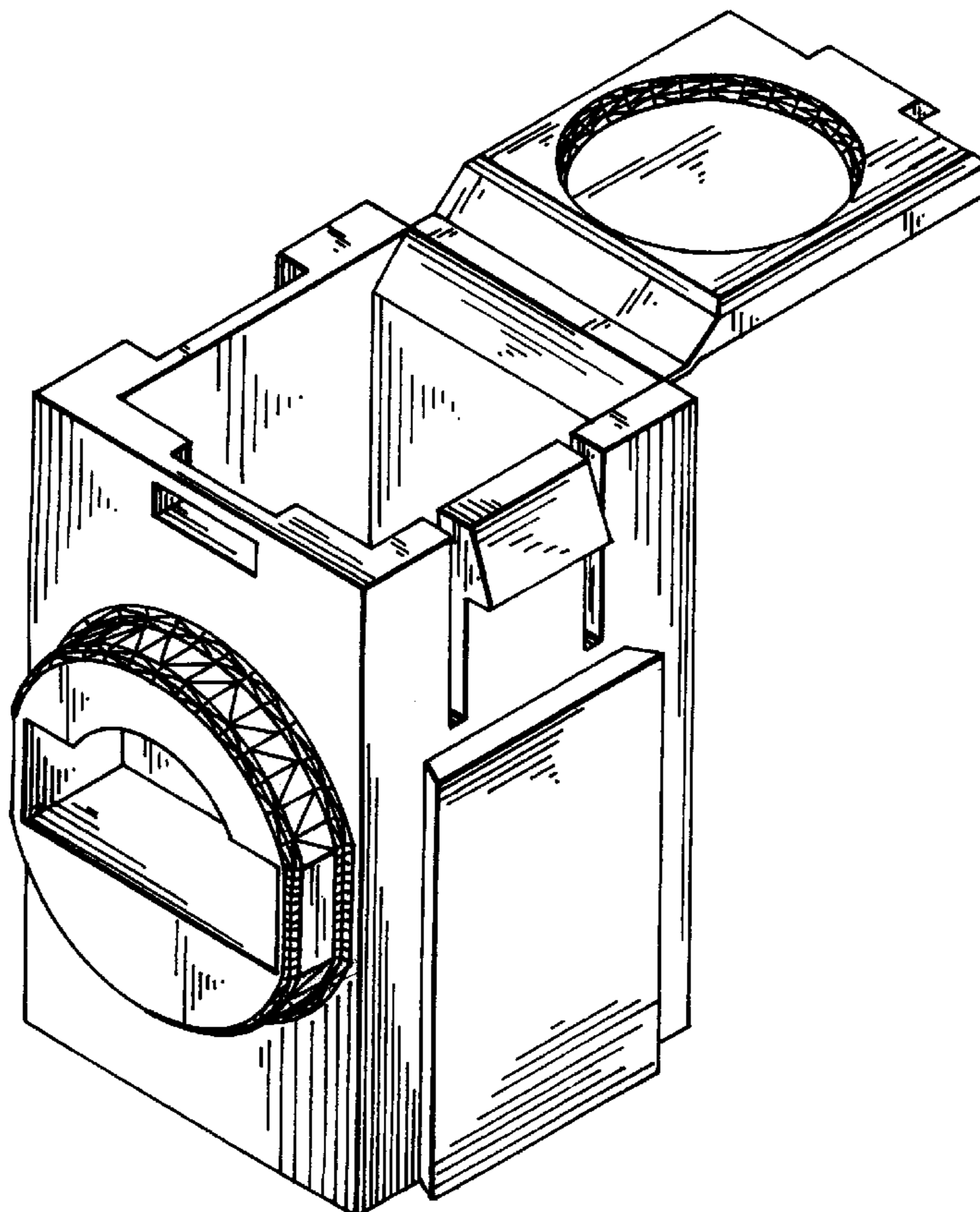
FIG. 8 is a bottom view of the electrical terminal housing of the present invention with the top open.

[56] **References Cited**

U.S. PATENT DOCUMENTS

D. 345,546	3/1994	Lin et al.	D13/133
4,611,879	9/1986	Bullard	439/717
4,790,963	12/1988	Weber et al.	439/717 X
4,954,798	9/1990	Kasahara et al.	439/717 X
4,981,444	1/1991	Willmott	439/459
5,098,316	3/1992	Kollmann et al.	439/717
5,419,721	5/1995	Lignelet	439/459 X

1 Claim, 3 Drawing Sheets



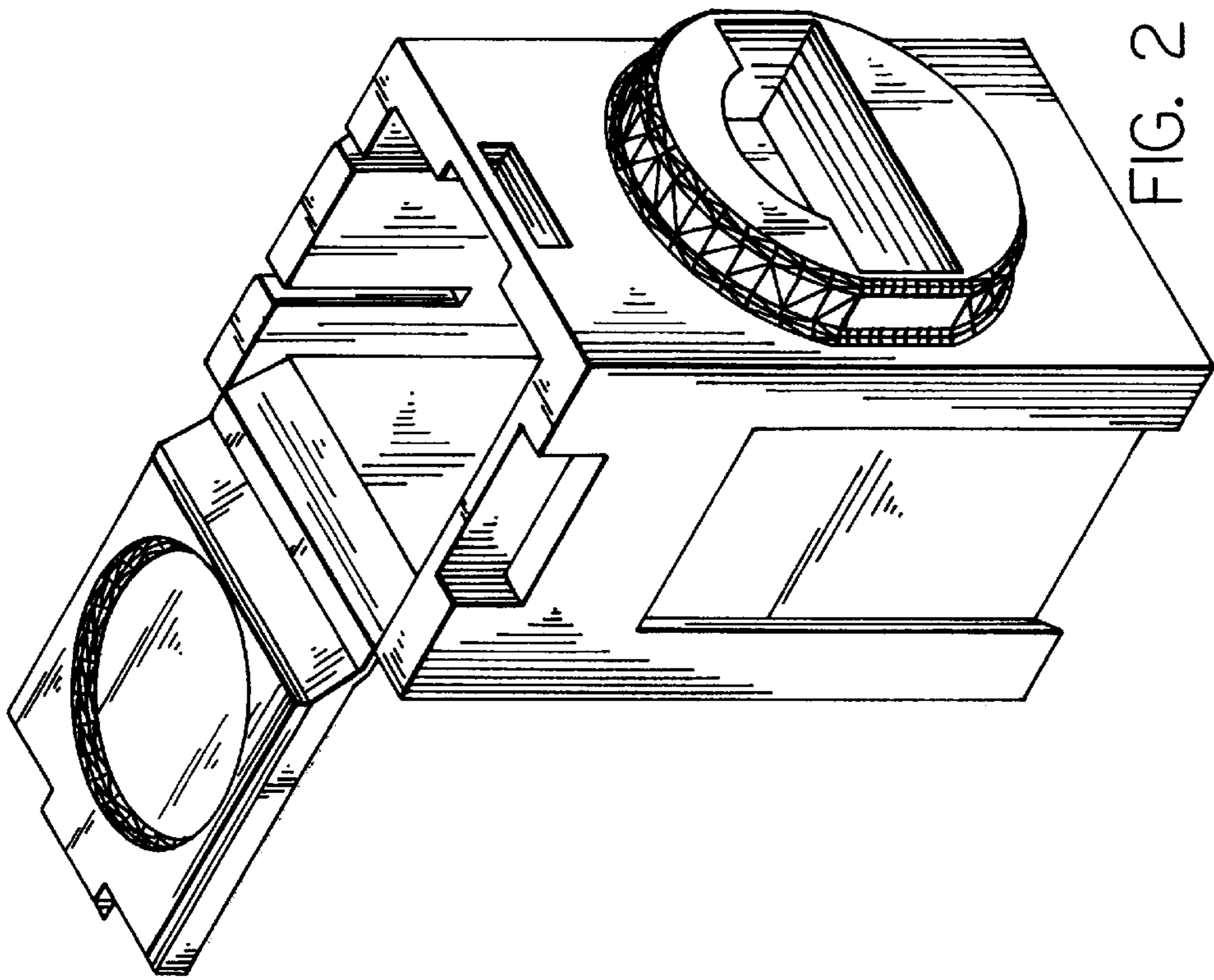


FIG. 2

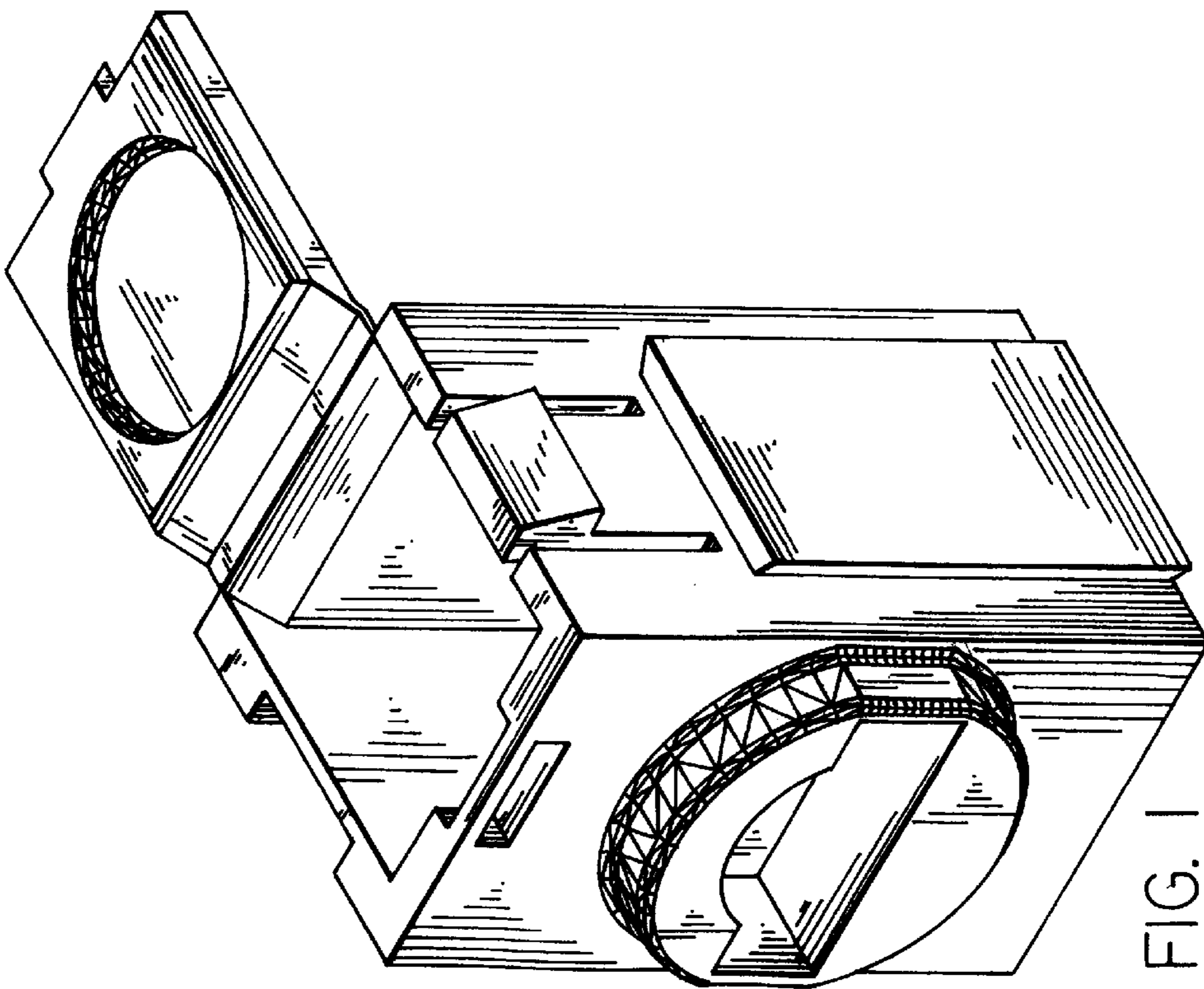


FIG. 1

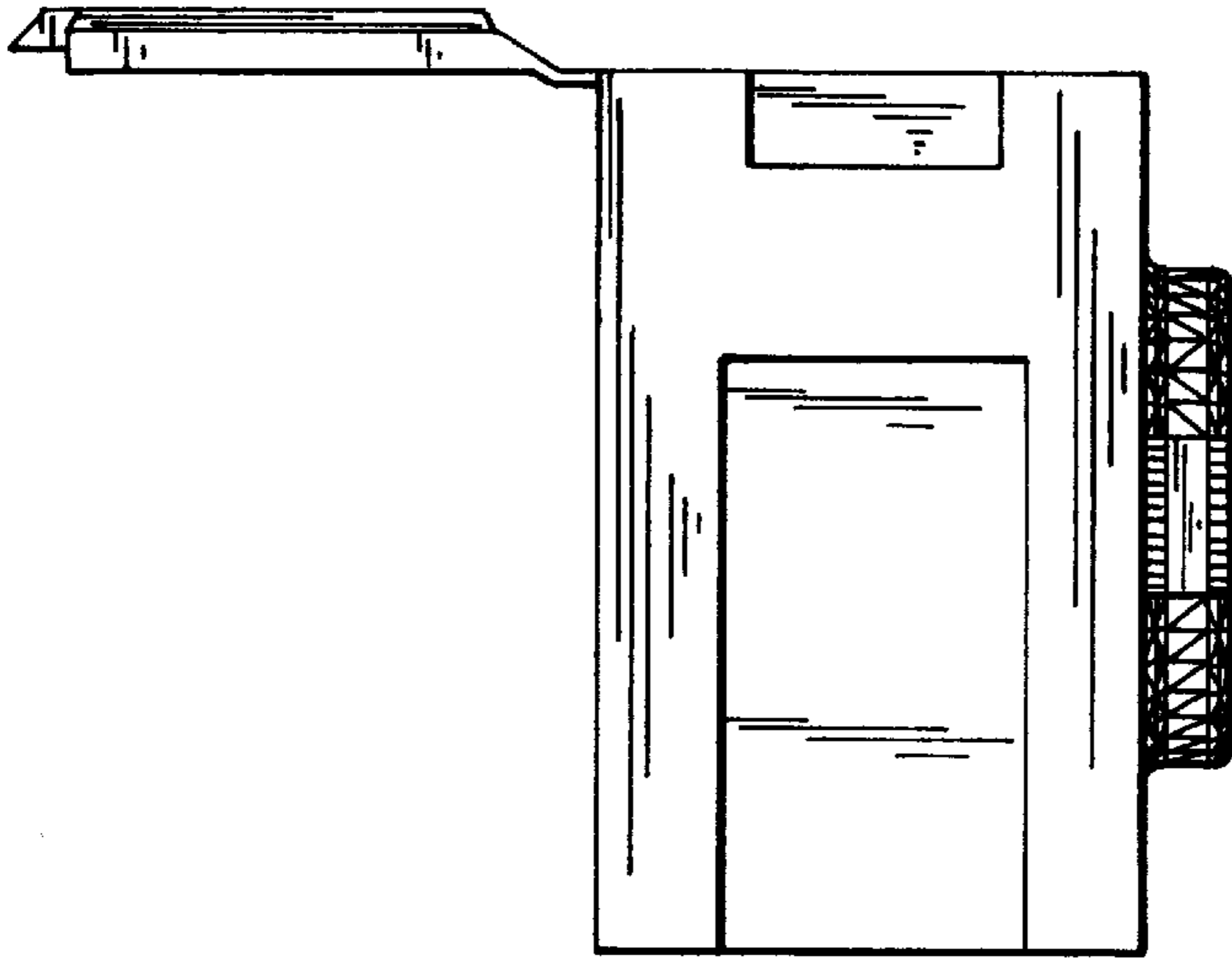


FIG. 3

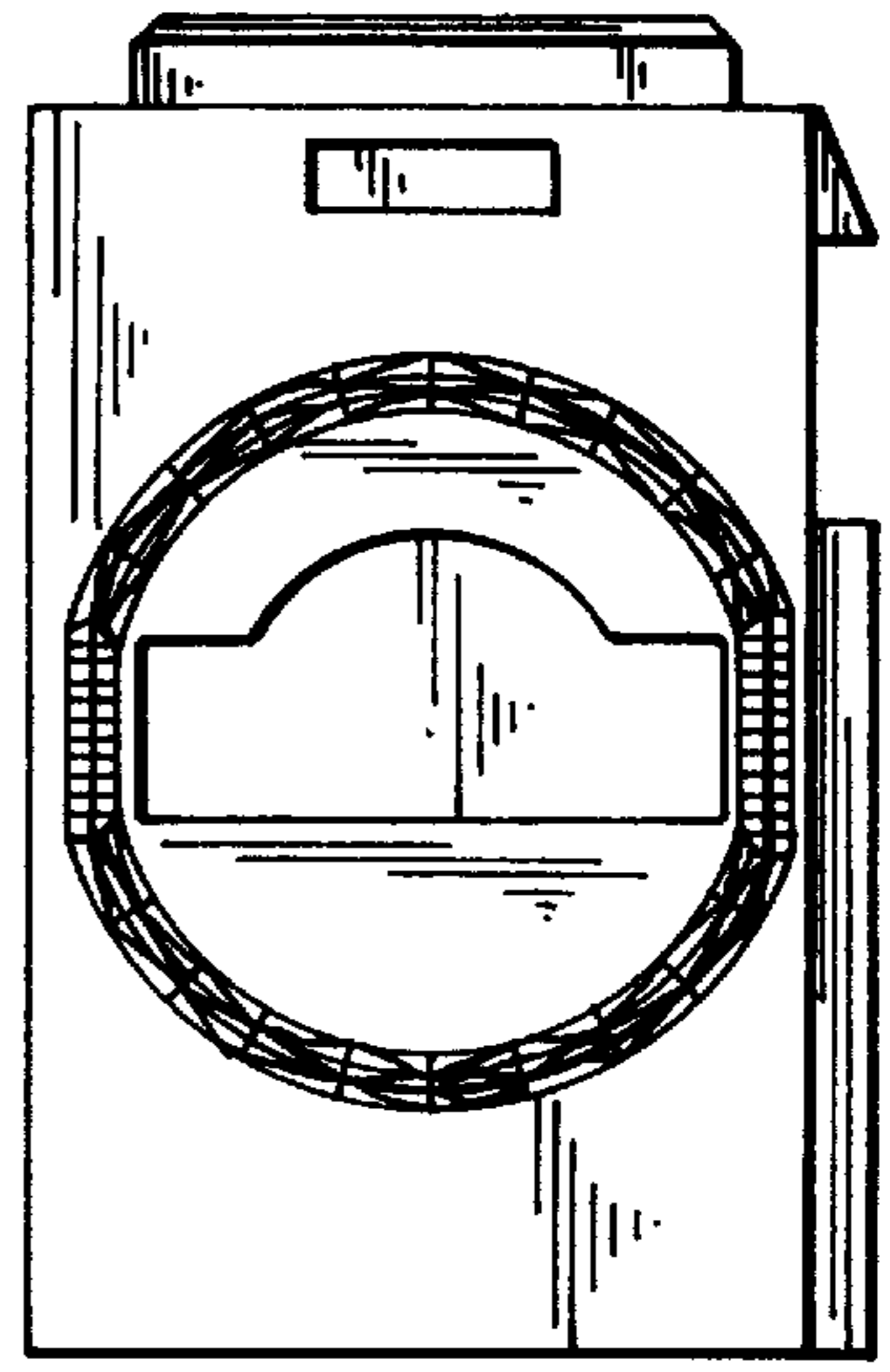


FIG. 4

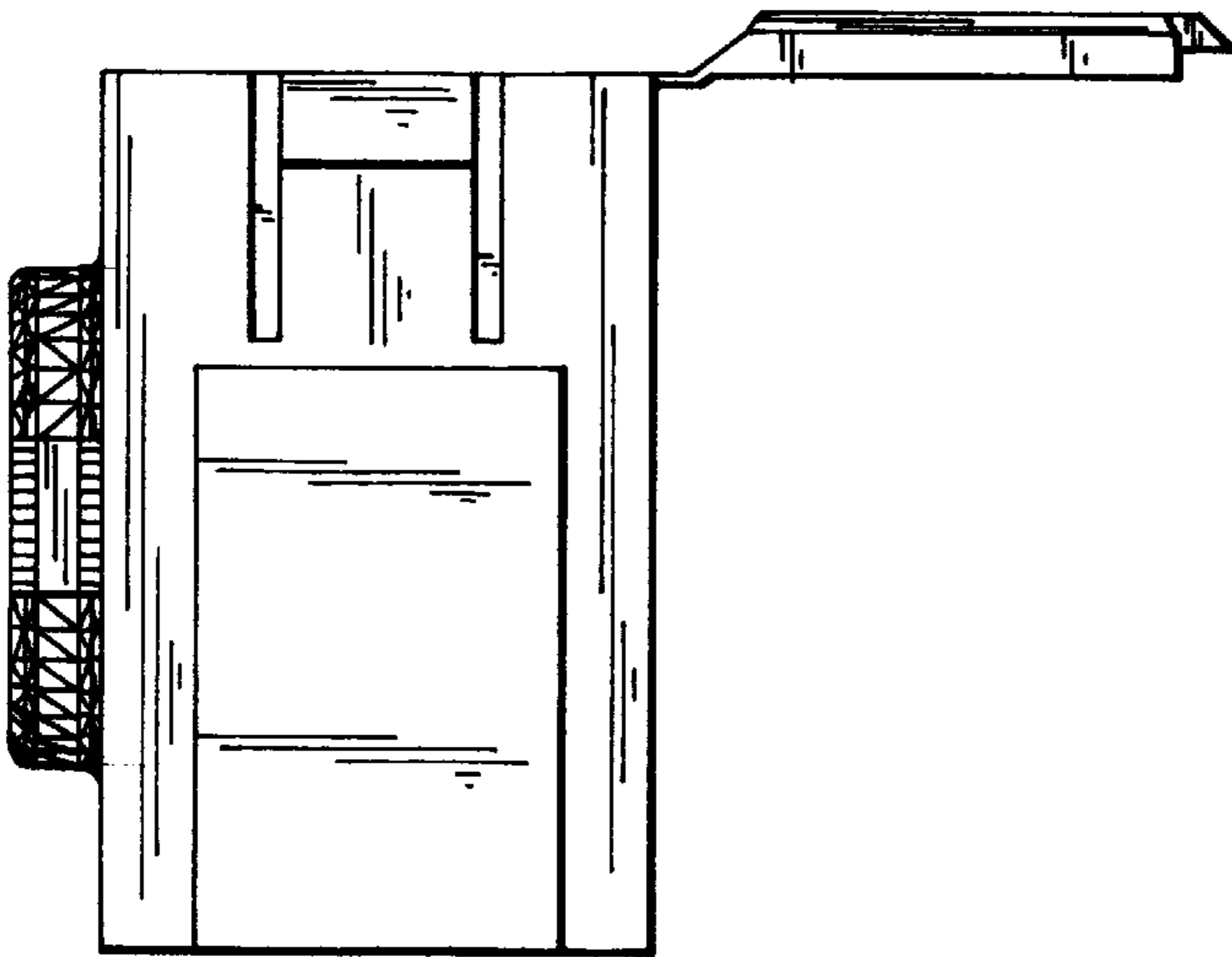


FIG. 5

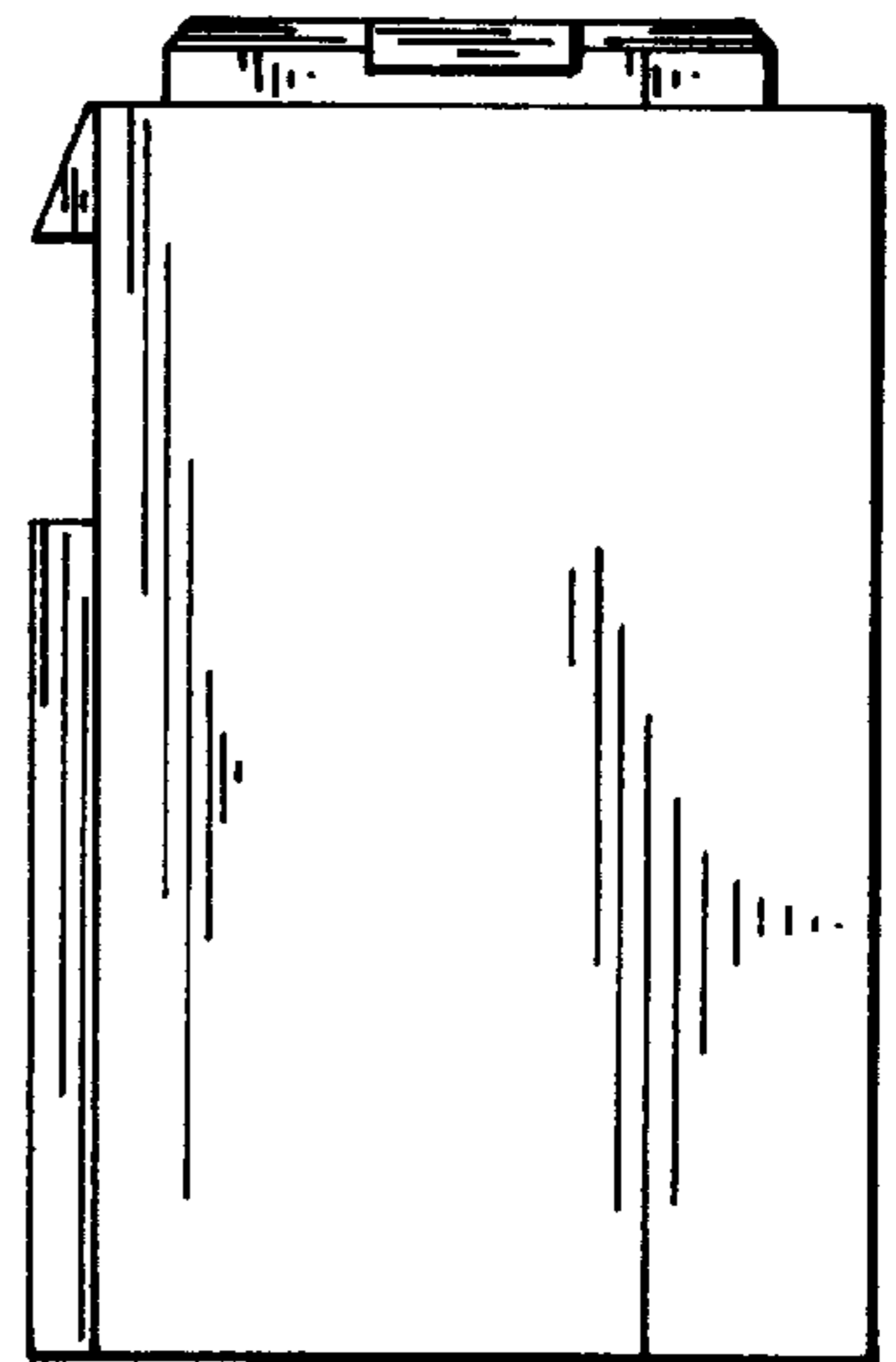


FIG. 6

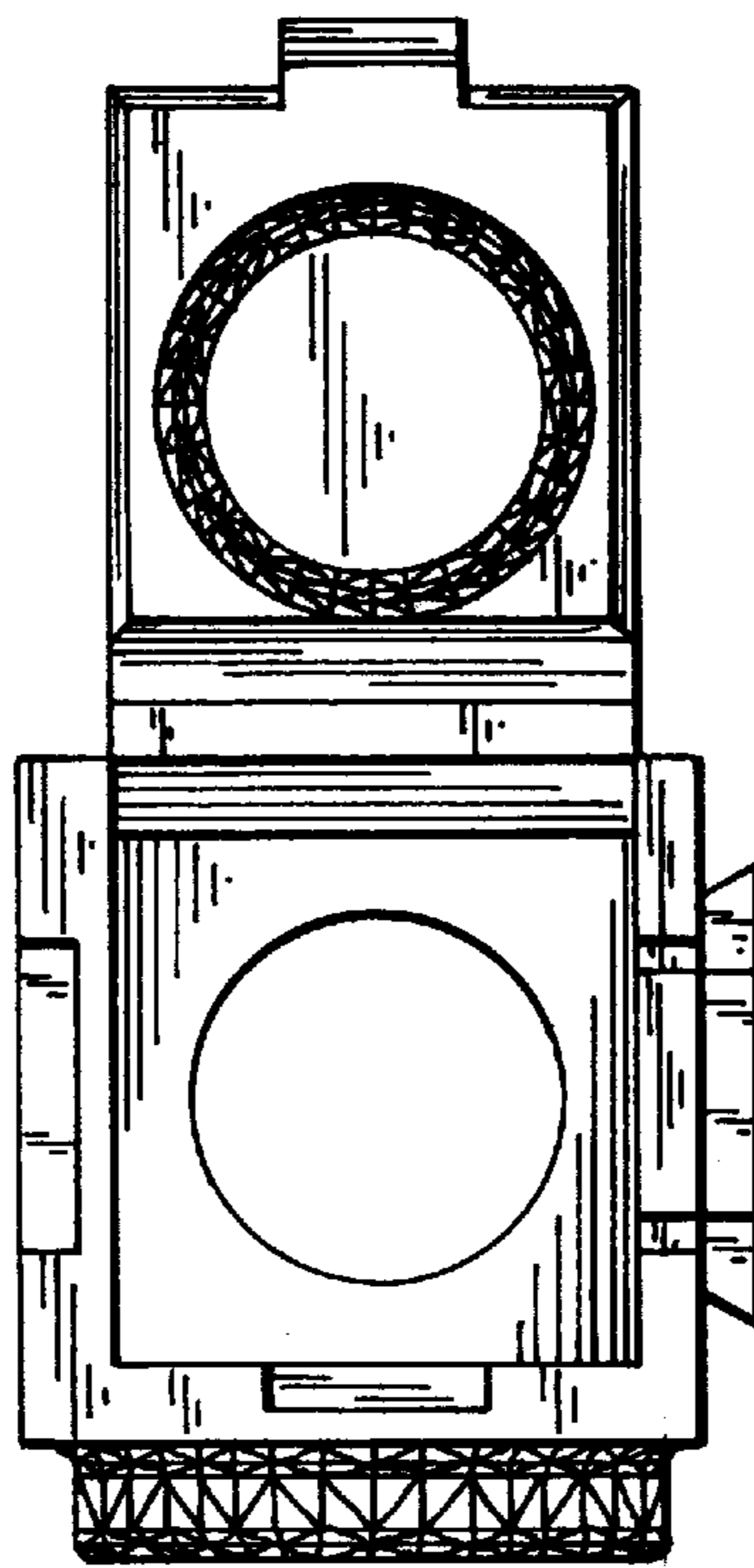


FIG. 7

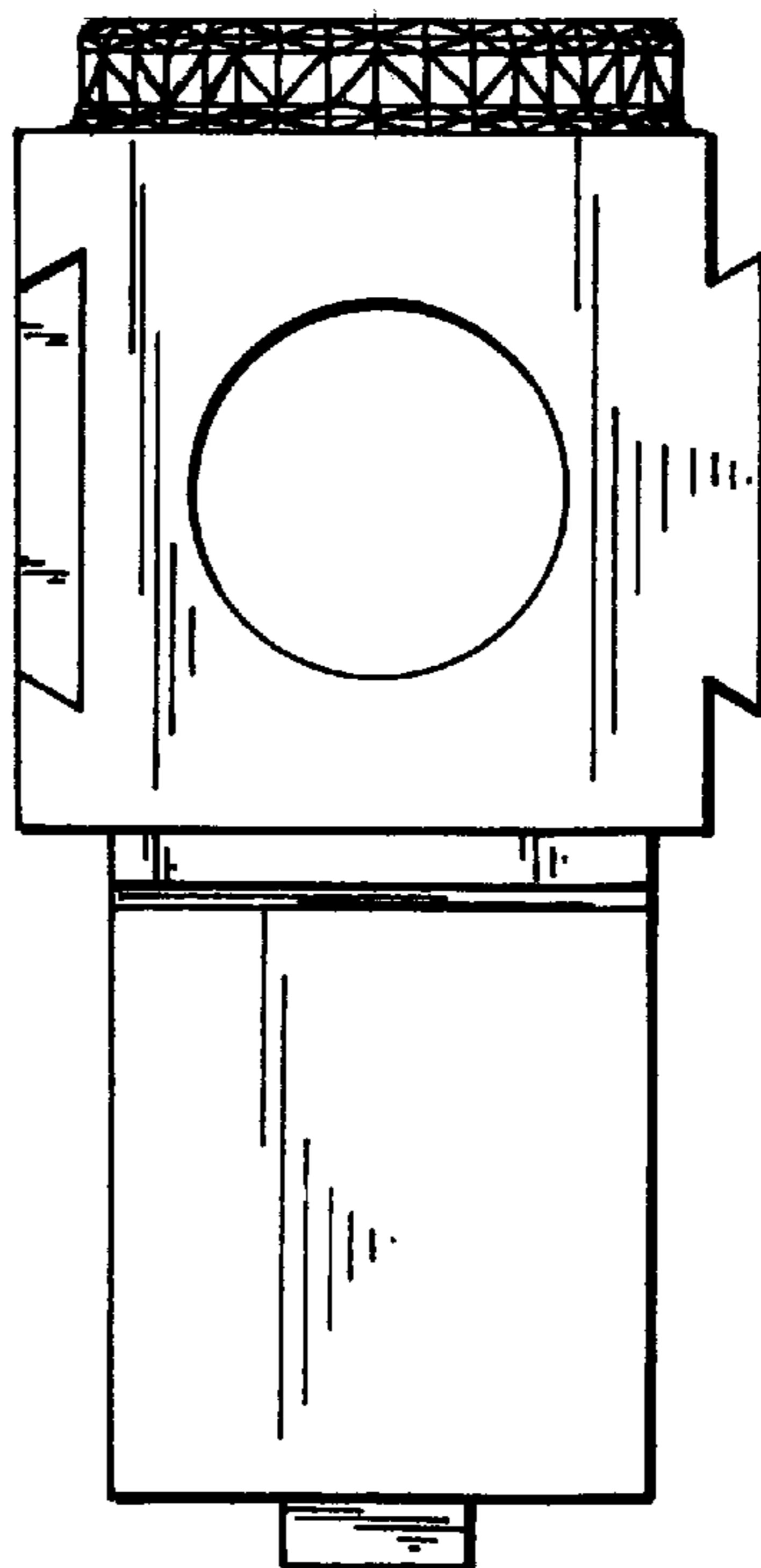


FIG. 8