



US00D405054S

# United States Patent [19]

[11] Patent Number: **Des. 405,054**

Takahashi et al.

[45] Date of Patent: **\*\*Feb. 2, 1999**

[54] **CABLE TELEVISION TELEPHONE TAP**

D. 336,074 6/1993 Friend et al. .... D13/184  
4,734,541 3/1988 Moran, Jr. .... 174/35 R  
4,851,609 7/1989 Reddy ..... 174/35 R

[75] Inventors: **Michiharu Takahashi; Jun Kimura,**  
both of Chiba-ken, Japan

*Primary Examiner*—Joel Sincavage  
*Attorney, Agent, or Firm*—Jacobson, Price, Holman &  
Stern, PLLC

[73] Assignee: **Uro Denshi Kogyo Kabushiki Kaisha,**  
Tokyo, Japan

[\*\*] Term: **14 Years**

## [57] CLAIM

[21] Appl. No.: **77,982**

The ornamental design for a cable television telephone tap,  
as shown and described.

[22] Filed: **Oct. 17, 1997**

## DESCRIPTION

### [30] Foreign Application Priority Data

Apr. 17, 1997 [JP] Japan ..... 9-51678

FIG. 1 is a top perspective view showing my new design for  
a cable television telephone tap;  
FIG. 2 is a front view thereof;  
FIG. 3 is a top view thereof;  
FIG. 4 is a bottom view thereof;  
FIG. 5 is a rear view thereof;  
FIG. 6 is a left side view thereof;  
FIG. 7 is a right side view thereof; and,  
FIG. 8 is a front view with a portion moved to an elevated  
position.

[51] **LOC (6) Cl.** ..... **13-03**

[52] **U.S. Cl.** ..... **D13/152; D14/240**

[58] **Field of Search** ..... D13/184, 152;  
D14/240; 174/38, 35 R, 48; 379/399

### [56] References Cited

#### U.S. PATENT DOCUMENTS

D. 215,722 10/1969 Winston et al. .... D13/152

**1 Claim, 3 Drawing Sheets**

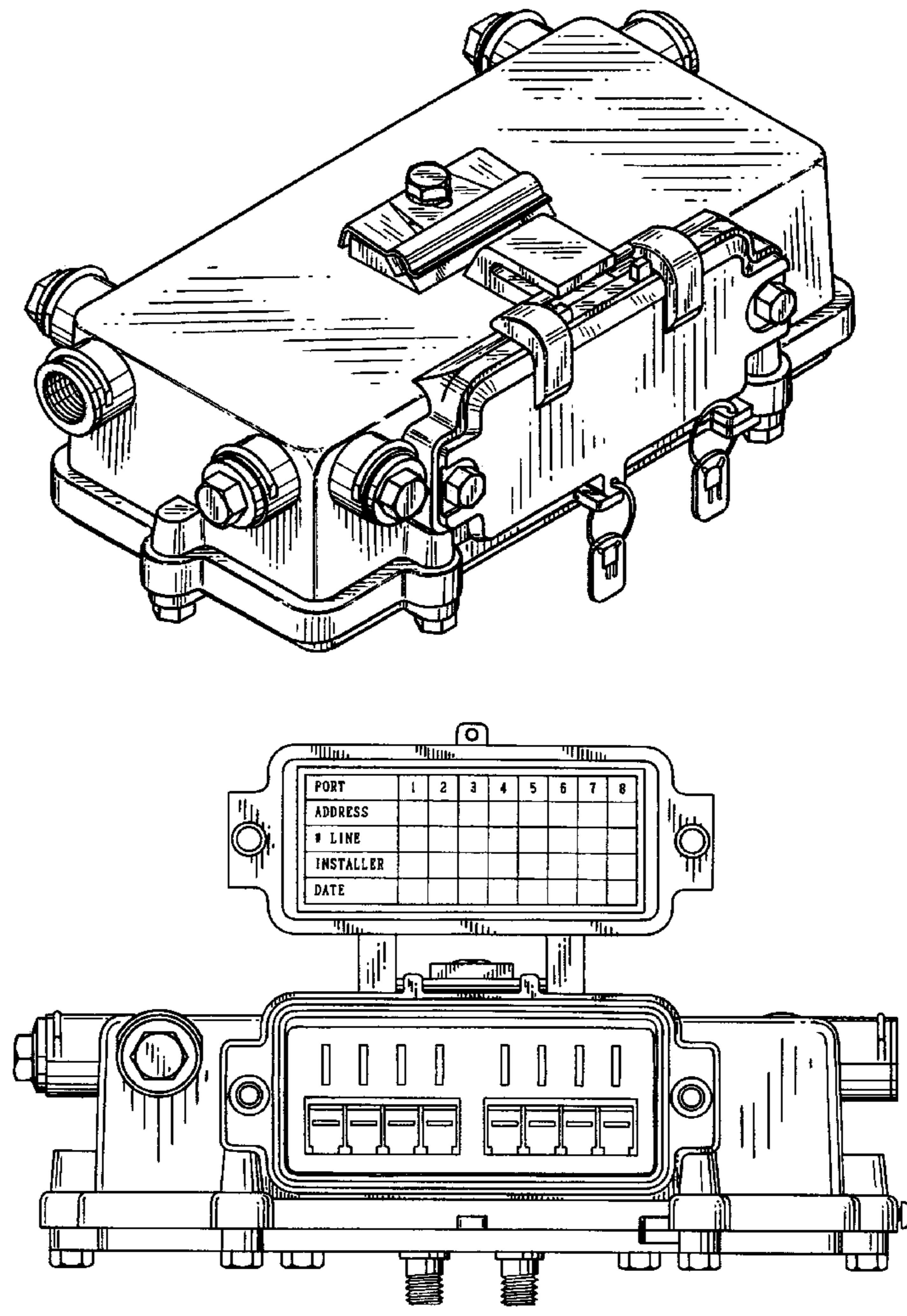


FIG. 1

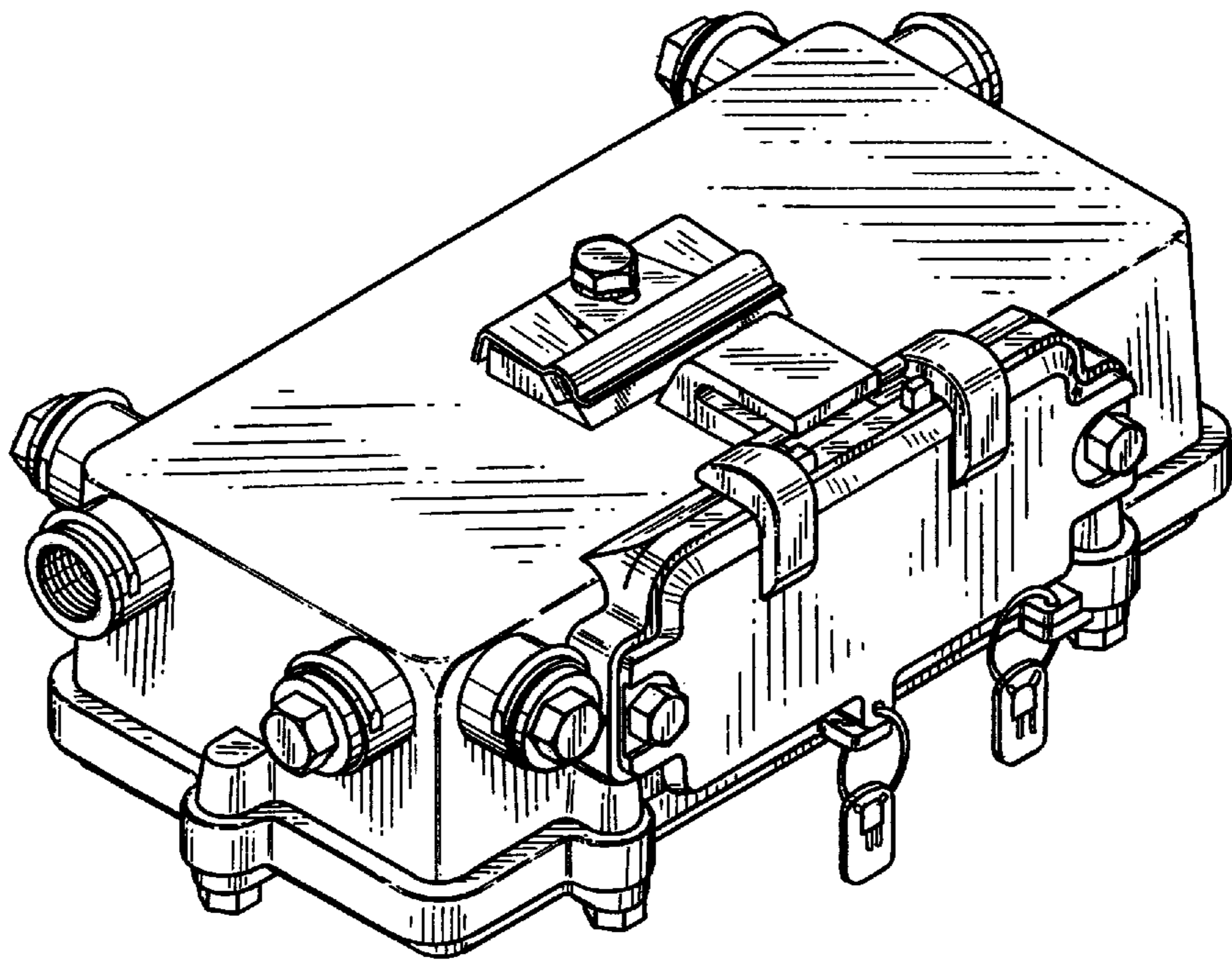


FIG. 2

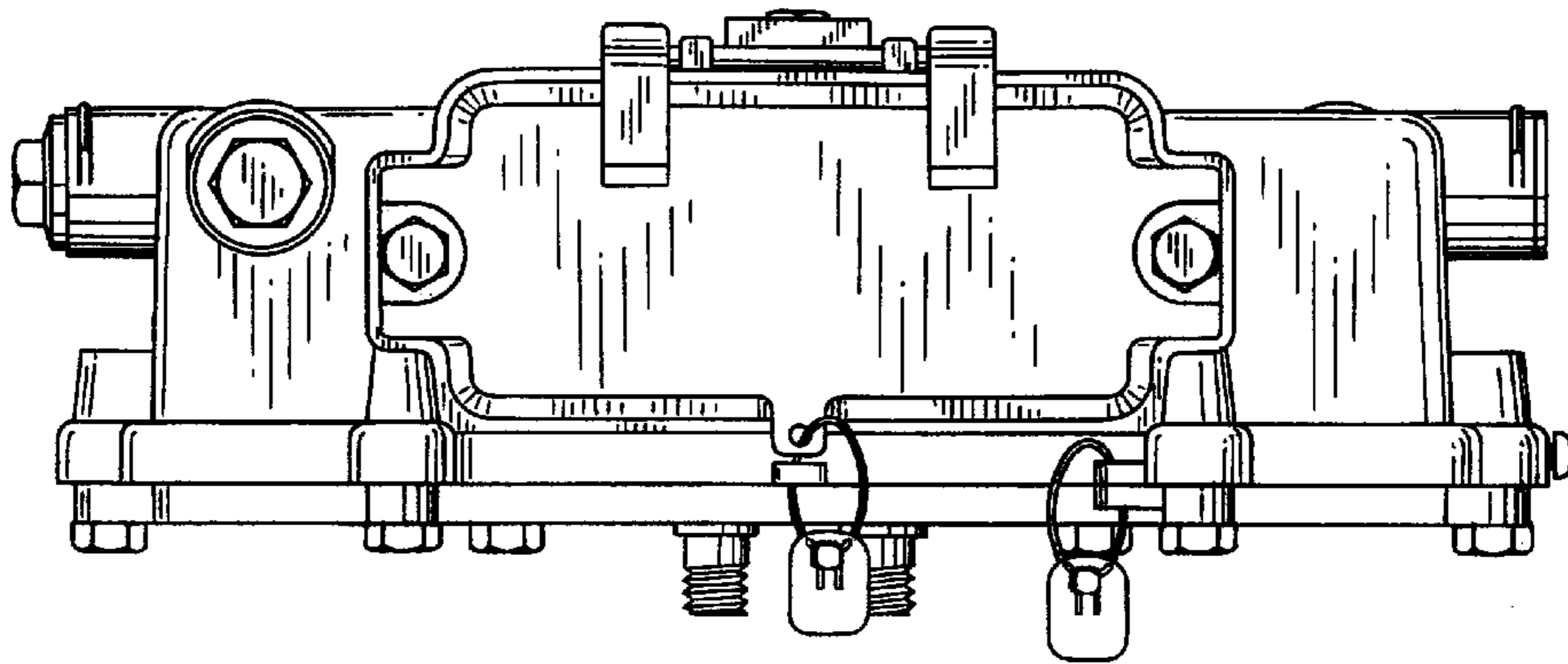


FIG. 3

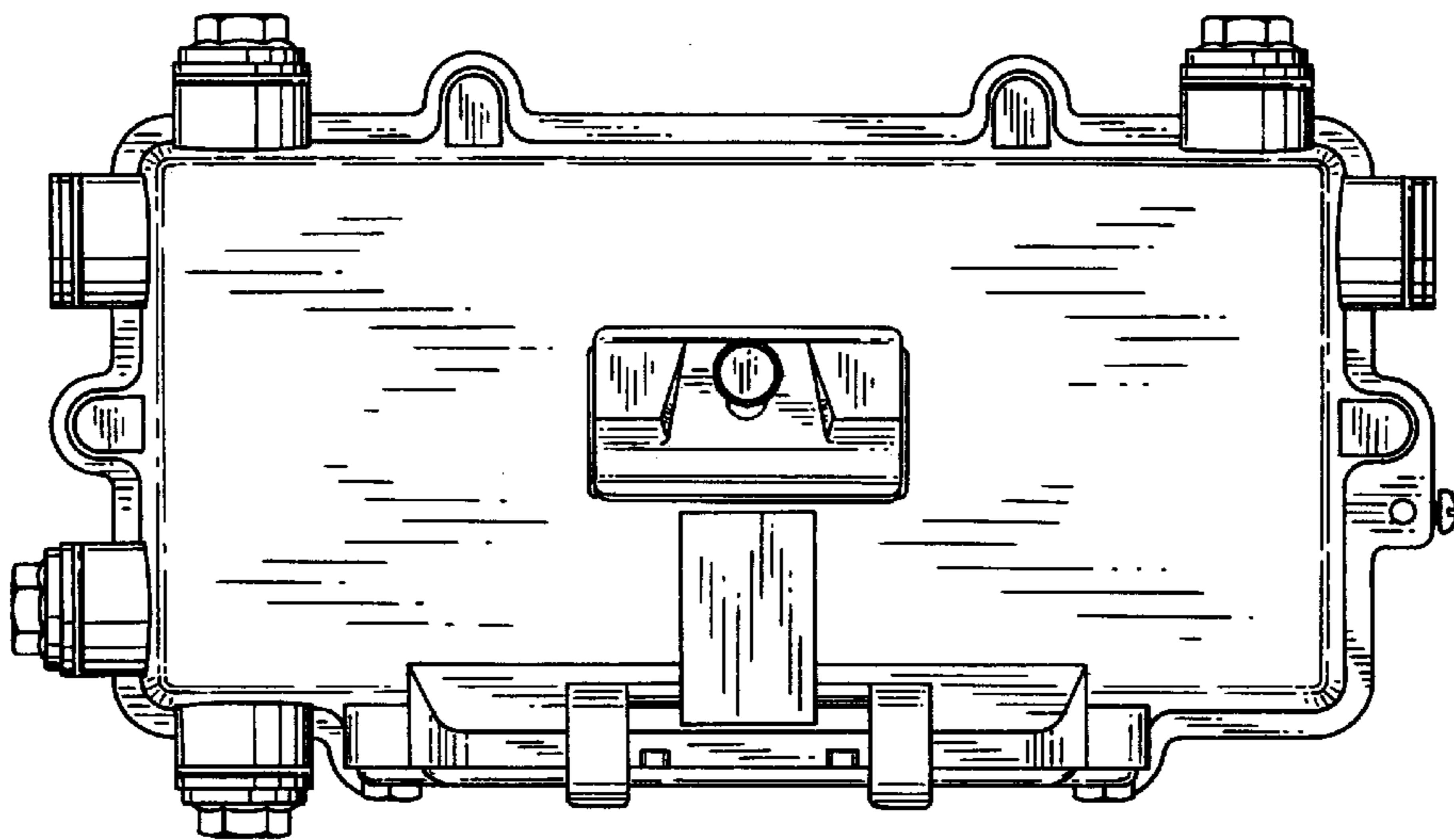


FIG. 4

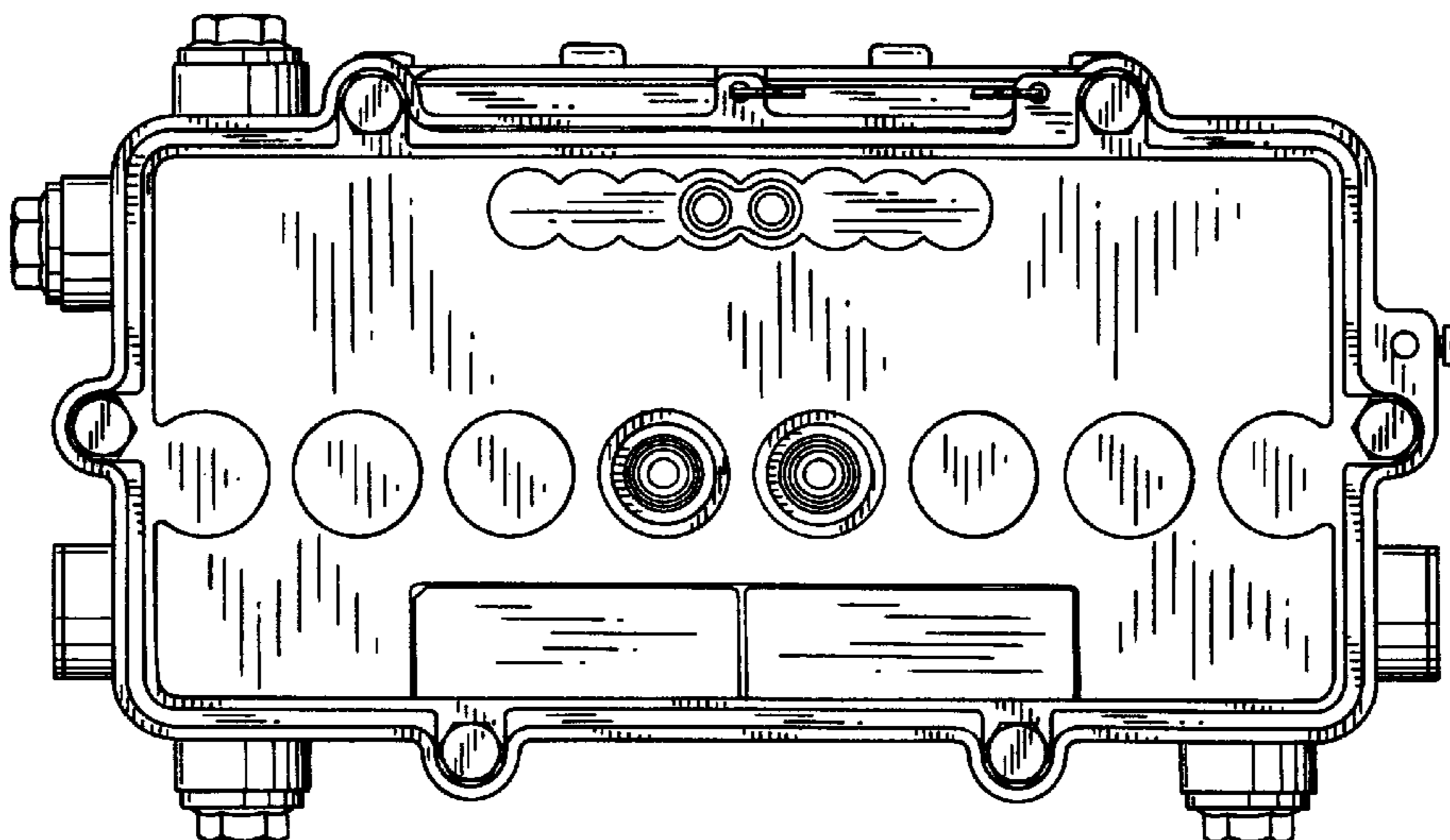


FIG. 5

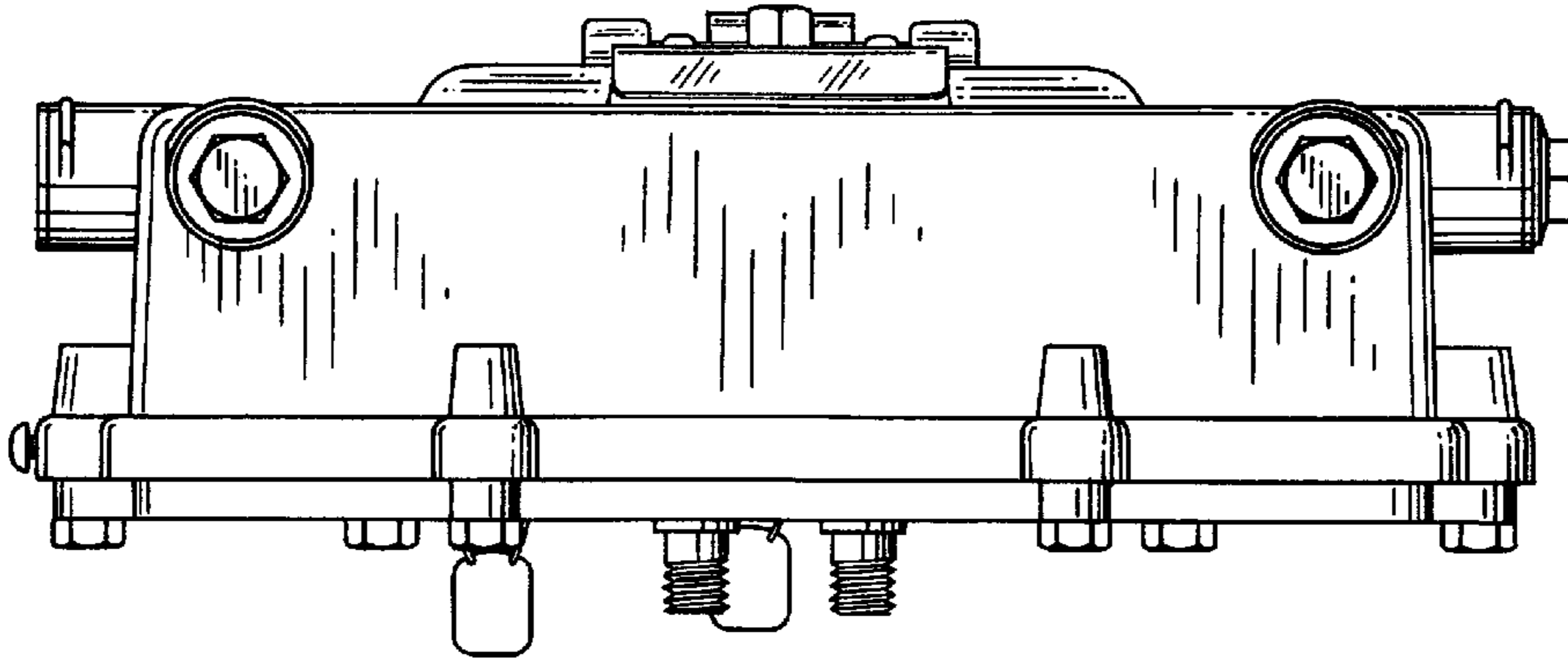


FIG. 6

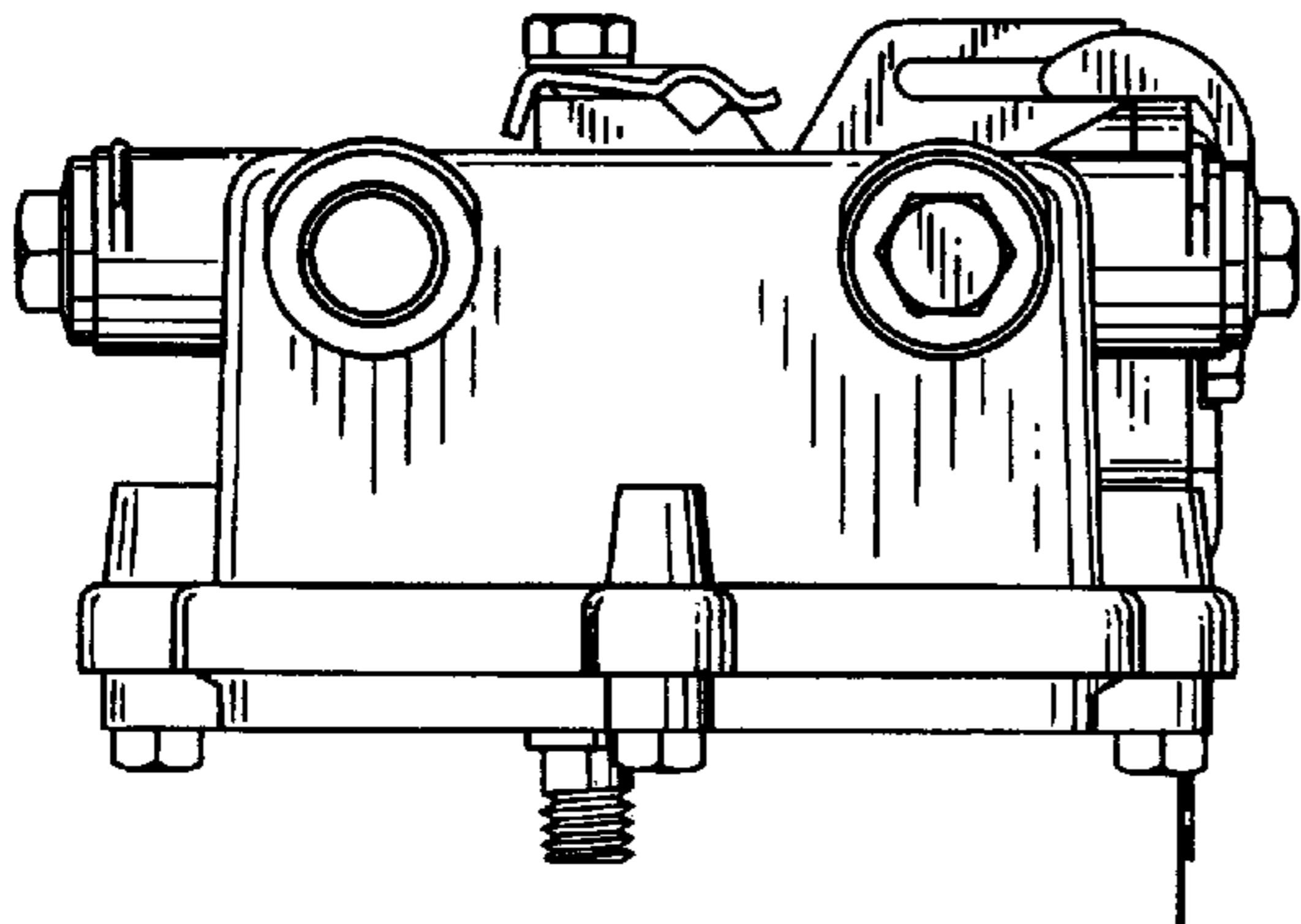


FIG. 7

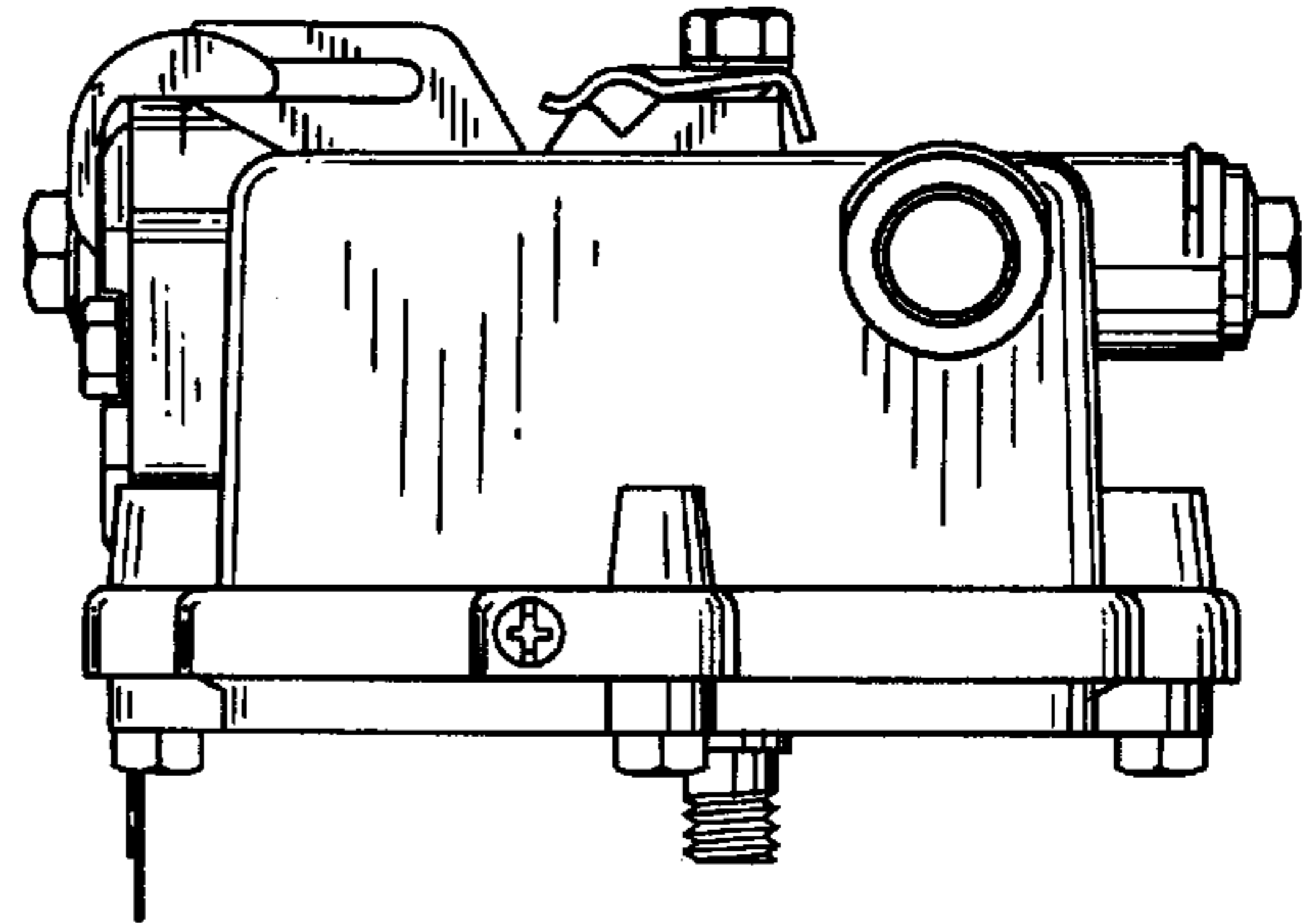


FIG. 8

