



US00D405053S

United States Patent [19]

Tan et al.

[11] **Patent Number: Des. 405,053**

[45] **Date of Patent: **Feb. 2, 1999**

[54] **SIDE-BY-SIDE DUAL-PORT USB CONNECTOR**

D. 301,870 6/1989 Shibano D13/147
D. 330,006 10/1992 Kamakura et al. D13/133 X
5,445,534 8/1995 Ishizuka et al. 439/610 X

[75] Inventors: **Haw-Chan Tan**, Diamond Bar; **Joel Jyh-Haur Yeh**, San Gabriel, both of Calif.

Primary Examiner—Holly Baynham
Assistant Examiner—Lavone D. Tabor

[73] Assignee: **Hon Hai Precision Ind. Co., Ltd.**, Taipei Hsien, Taiwan

[57] **CLAIM**

The ornamental design for a side-by-side dual-port USB connector, as shown and described.

[**] Term: **14 Years**

DESCRIPTION

[21] Appl. No.: **60,950**

FIG. 1 is a perspective view of the side-by-side dual-port USB connector showing our new design; FIG. 2 is a front elevational view thereof; FIG. 3 is a left view thereof; FIG. 4 is a right view thereof; FIG. 5 is a top plan view thereof; and, FIG. 6 is a bottom plan view thereof.

[22] Filed: **Oct. 11, 1996**

[51] **LOC (6) Cl.** **13-03**

[52] **U.S. Cl.** **D13/147**

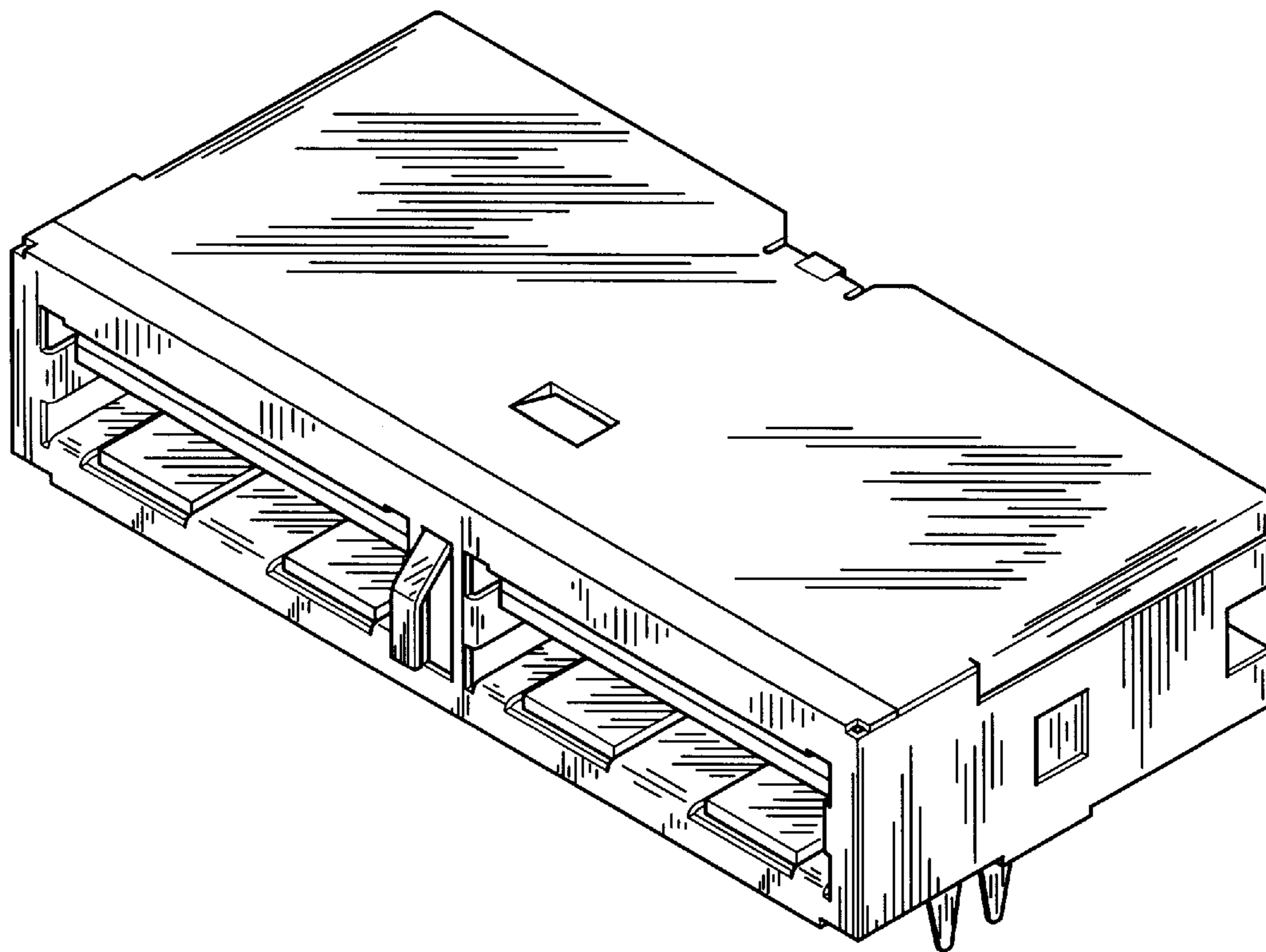
[58] **Field of Search** D13/133, 146, D13/147; 439/101, 108, 607-610, 676

[56] **References Cited**

U.S. PATENT DOCUMENTS

D. 295,971 5/1988 Kikuta D13/147

1 Claim, 6 Drawing Sheets



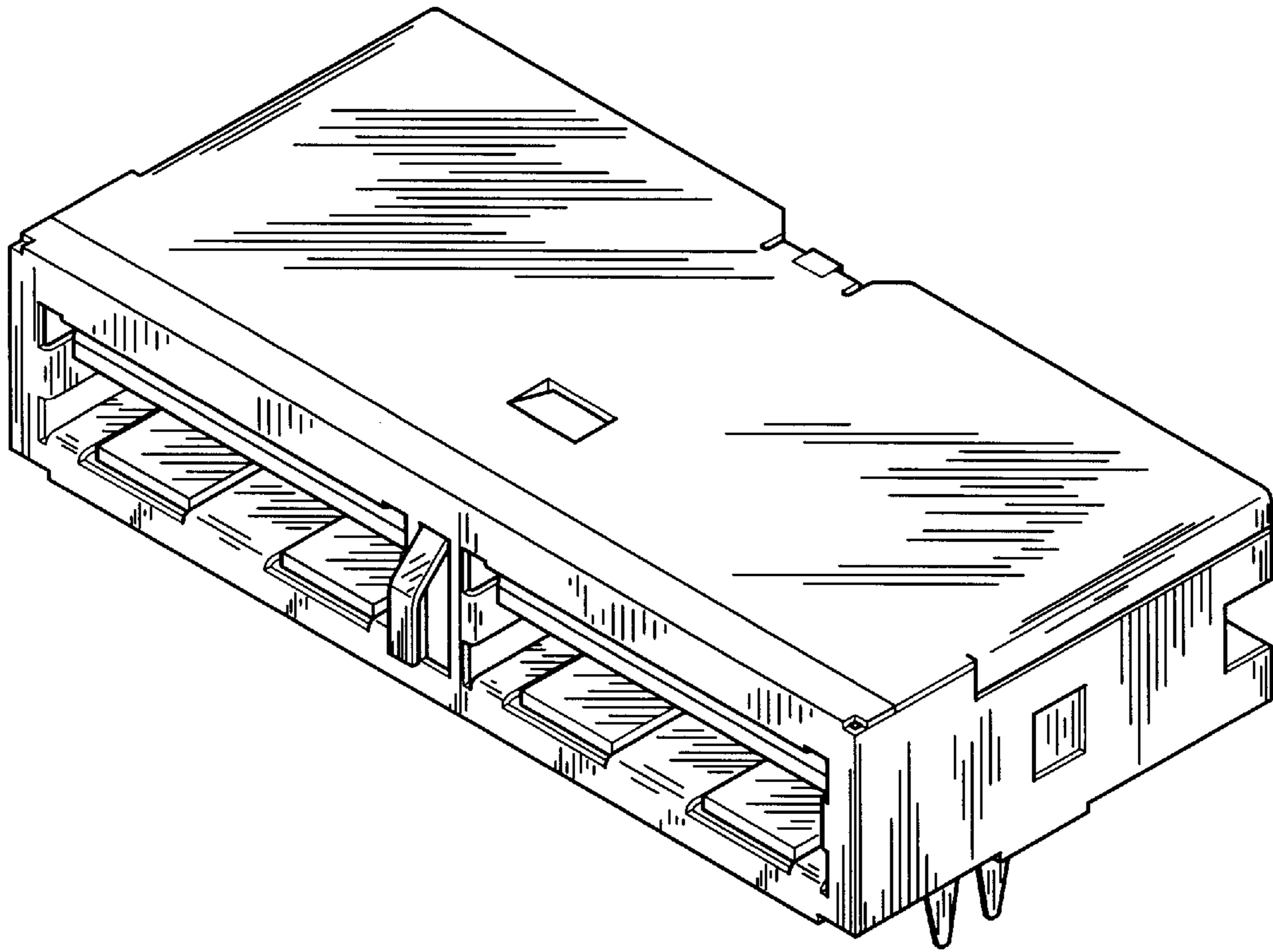


FIG.1

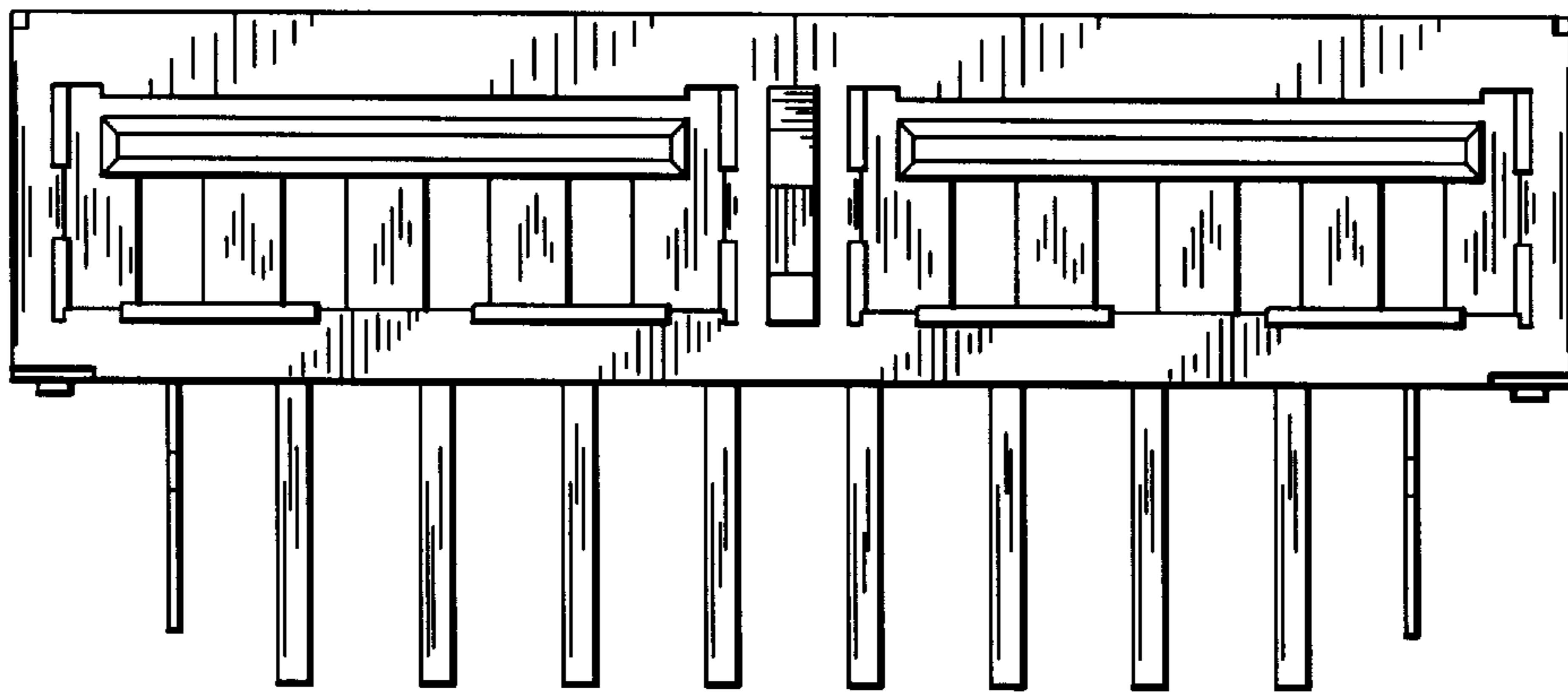


FIG.2

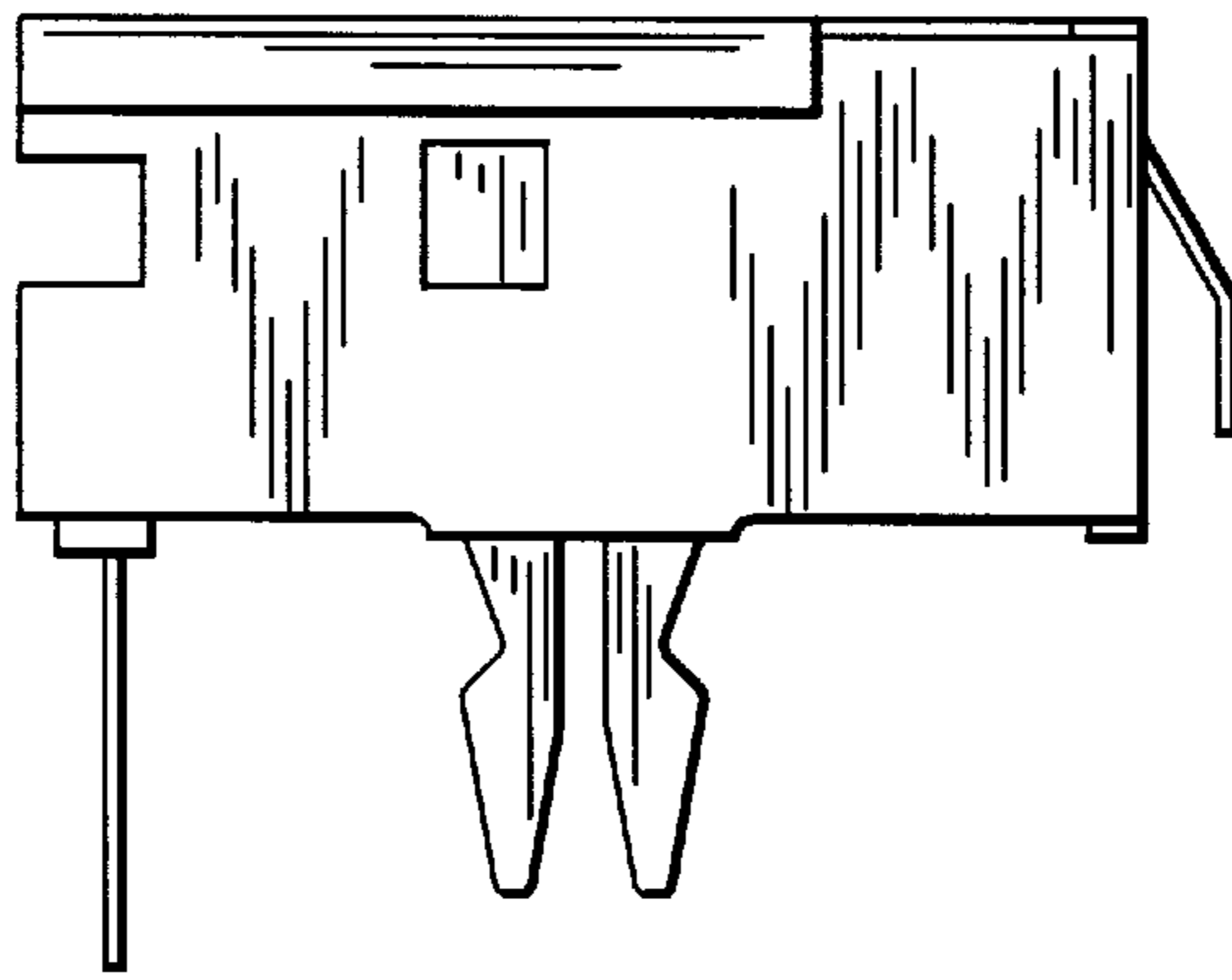


FIG.3

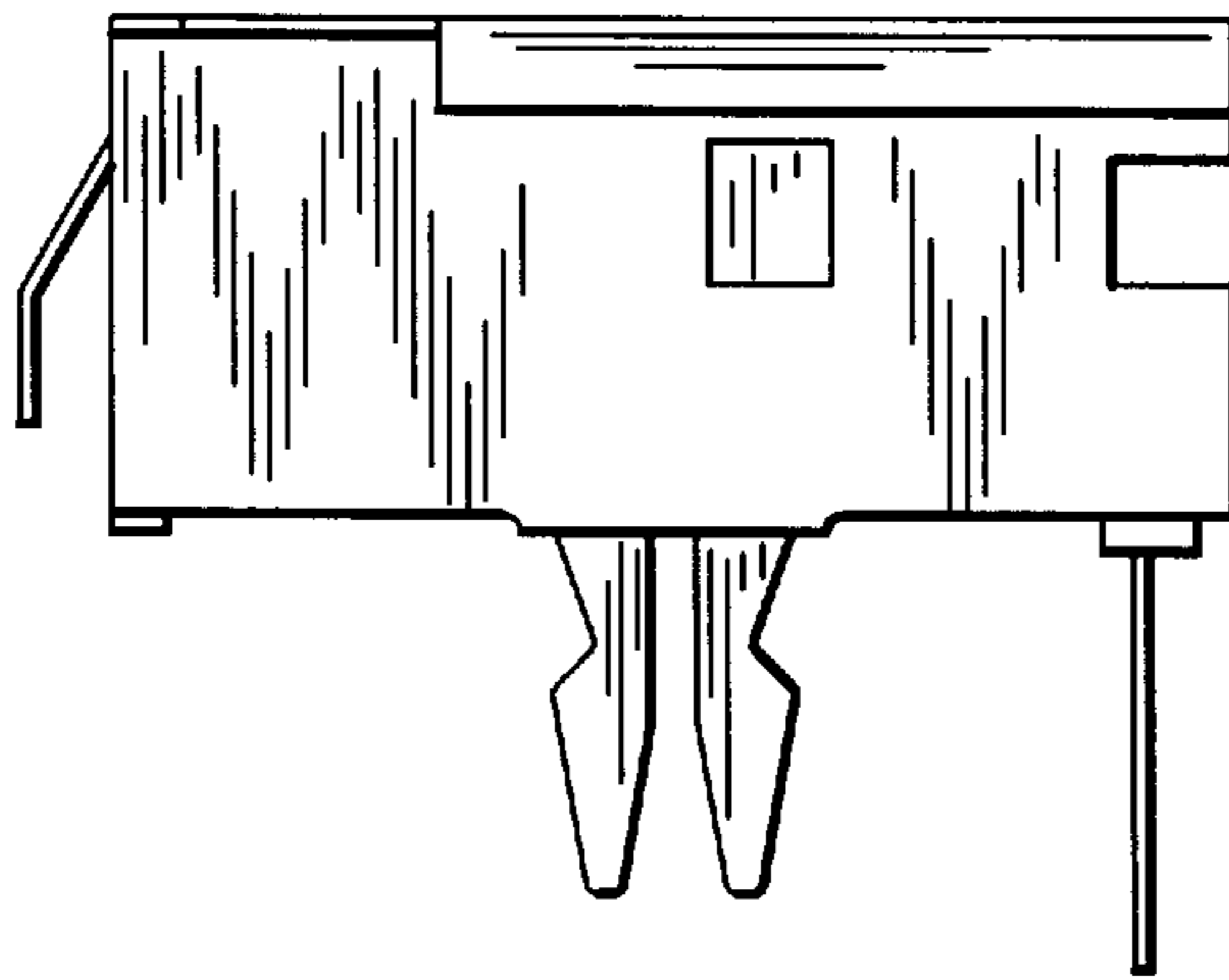


FIG.4

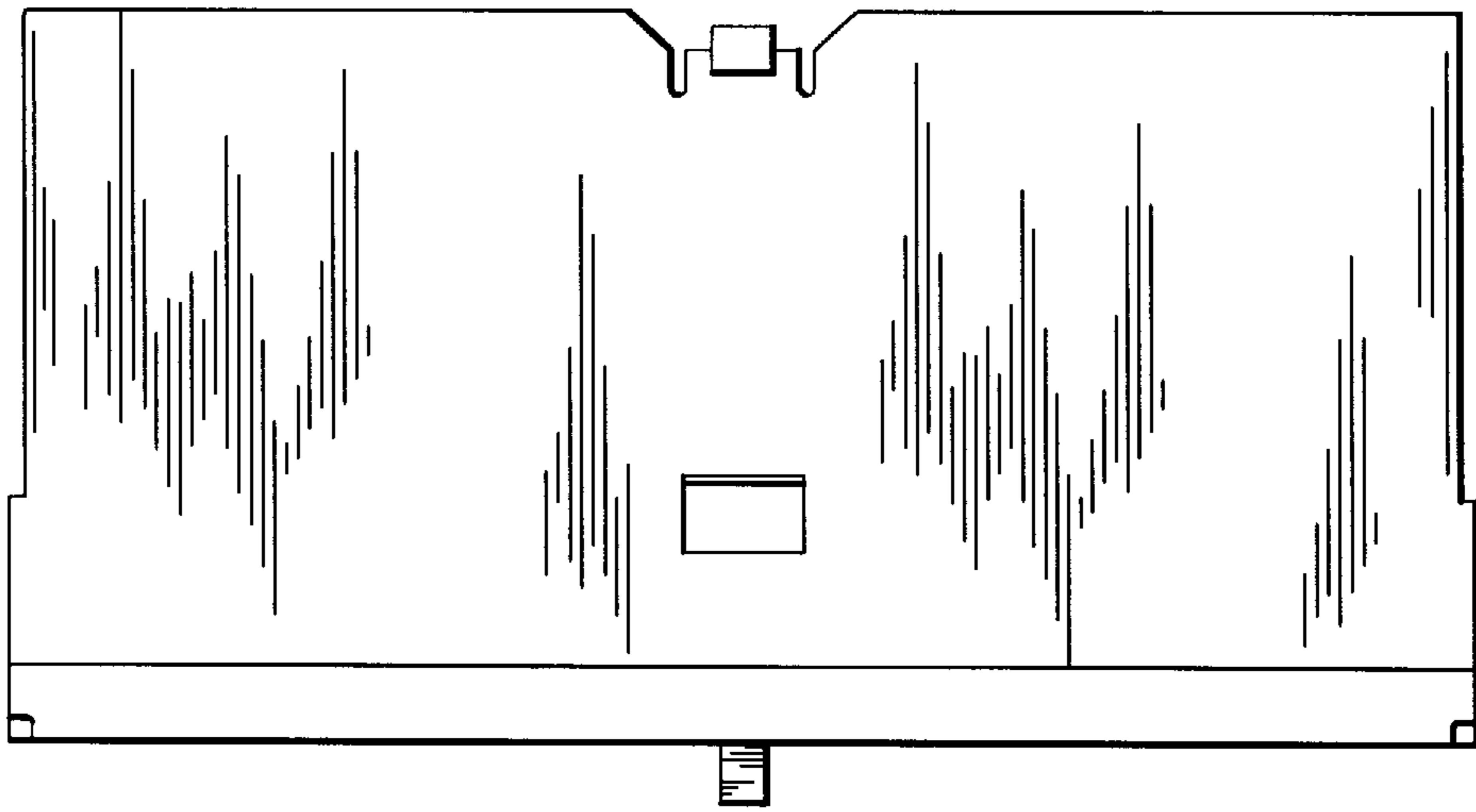


FIG.5

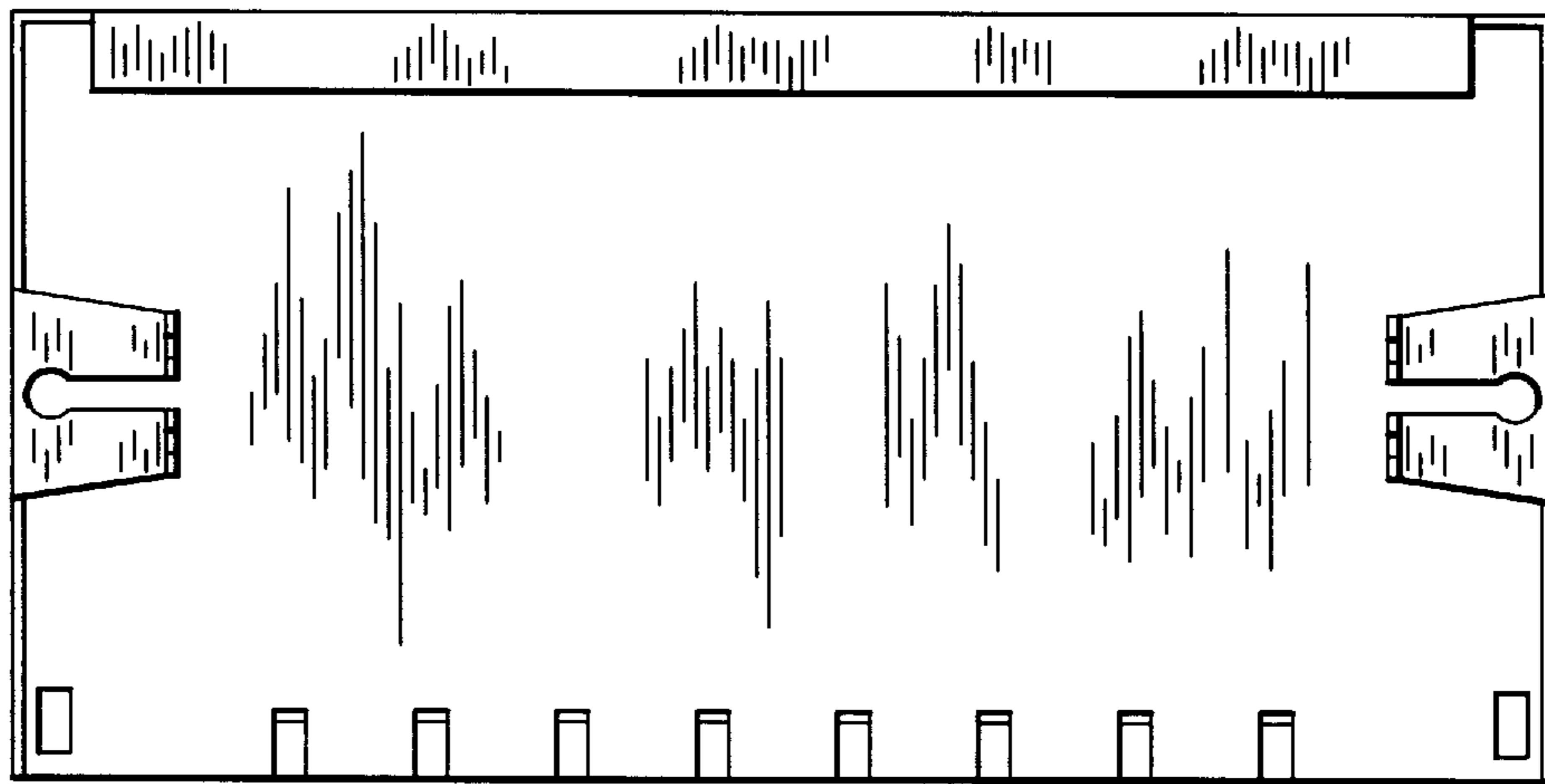


FIG.6