



US00D405046S

United States Patent [19] Collins

[11] **Patent Number: Des. 405,046**

[45] **Date of Patent: **Feb. 2, 1999**

[54] **ARTICLE RACK**

[76] Inventor: **Robert W. Collins**, P.O. Box 354,
Granite Quarry, N.C. 28072

[**] Term: **14 Years**

[21] Appl. No.: **61,271**

[22] Filed: **Oct. 18, 1996**

[51] **LOC (6) Cl. 12-16**

[52] **U.S. Cl. D12/412**

[58] **Field of Search** D12/406, 412-413,
D12/407-408; 224/309, 310, 314, 317,
320-323, 327, 329-331, 400, 924, 488,
489, 494, 506, 532, 519

[56] **References Cited**

U.S. PATENT DOCUMENTS

D. 292,567	11/1987	Douglas	D12/406
D. 374,209	10/1996	Lundgren	D12/412
D. 378,289	3/1997	Lundgren	D12/412
3,437,248	4/1969	Allen	224/309
3,877,622	4/1975	McLain	224/924 X
4,298,151	11/1981	O'Connor	224/329
4,332,337	6/1982	Kosecoff	224/42.03 B
4,676,413	6/1987	Began et al.	224/924 X
4,676,414	6/1987	Deguevara	224/532 X
4,863,080	9/1989	Graber	224/42.03 B

5,050,785	9/1991	Hays	224/532 X
5,056,700	10/1991	Blackburn et al.	224/324
5,118,018	6/1992	Baldeck	224/42.03 B
5,181,822	1/1993	Allsop et al.	414/462
5,190,195	3/1993	Fullhart et al.	224/506 X
5,330,084	7/1994	Peters	224/924 X
5,337,932	8/1994	Griewahn	224/42.03 B

Primary Examiner—Jeffrey Asch
Assistant Examiner—Stacia Sinuik
Attorney, Agent, or Firm—Adams Law Firm, P.A.

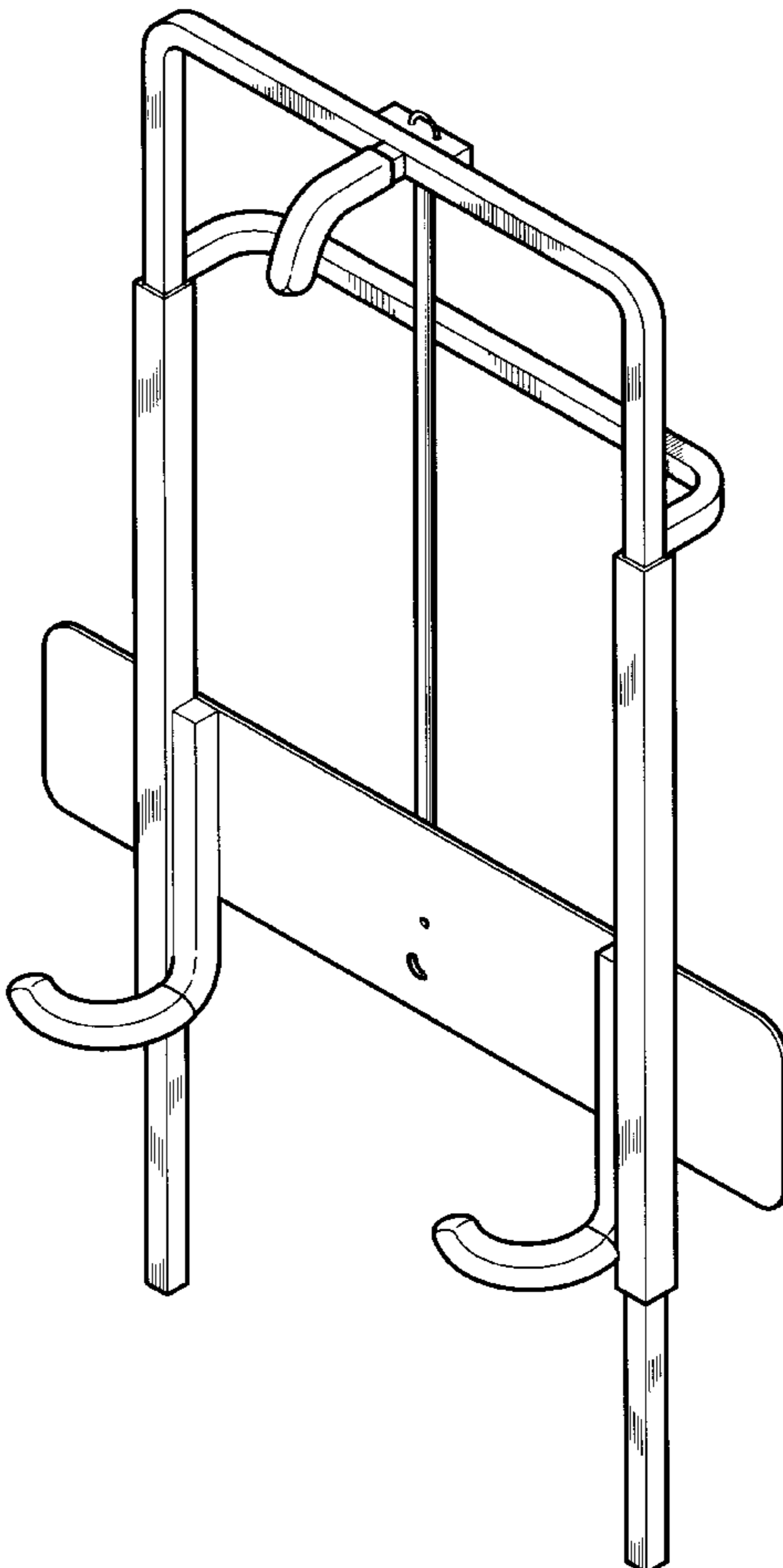
[57] **CLAIM**

The ornamental design for an article rack, as shown and described.

DESCRIPTION

FIG. 1 is a perspective view of an article rack, showing my new design, shown in a contracted position;
FIG. 2 is a perspective view of the article rack shown in an extended position;
FIG. 3 is a front elevational view of the article rack of FIG. 1;
FIG. 4 is a back elevational view thereof;
FIG. 5 is a left side elevational view thereof, the right side being a mirror image thereof;
FIG. 6 is a top plan view thereof; and,
FIG. 7 is a bottom plan view thereof.

1 Claim, 6 Drawing Sheets



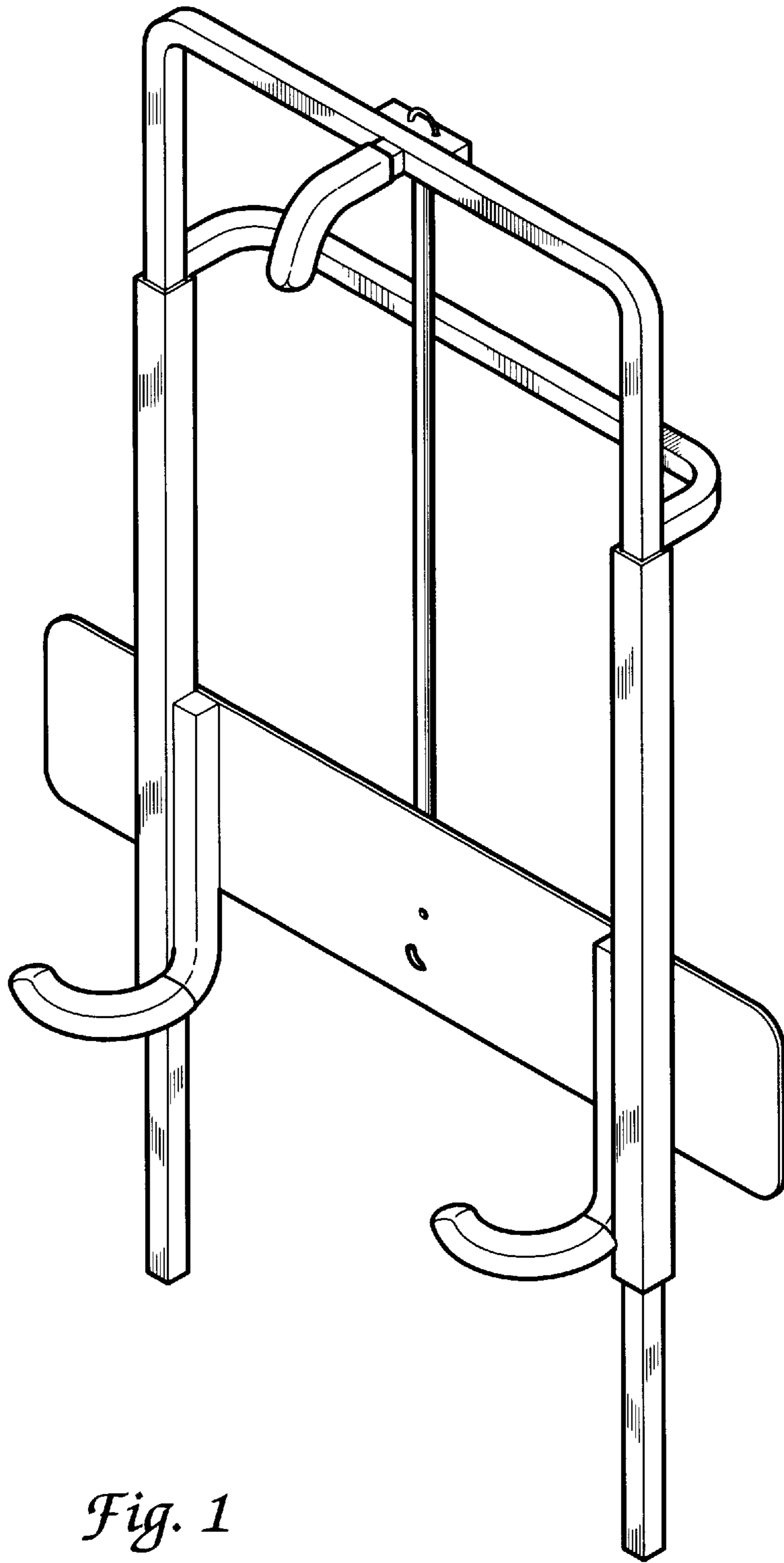


Fig. 1

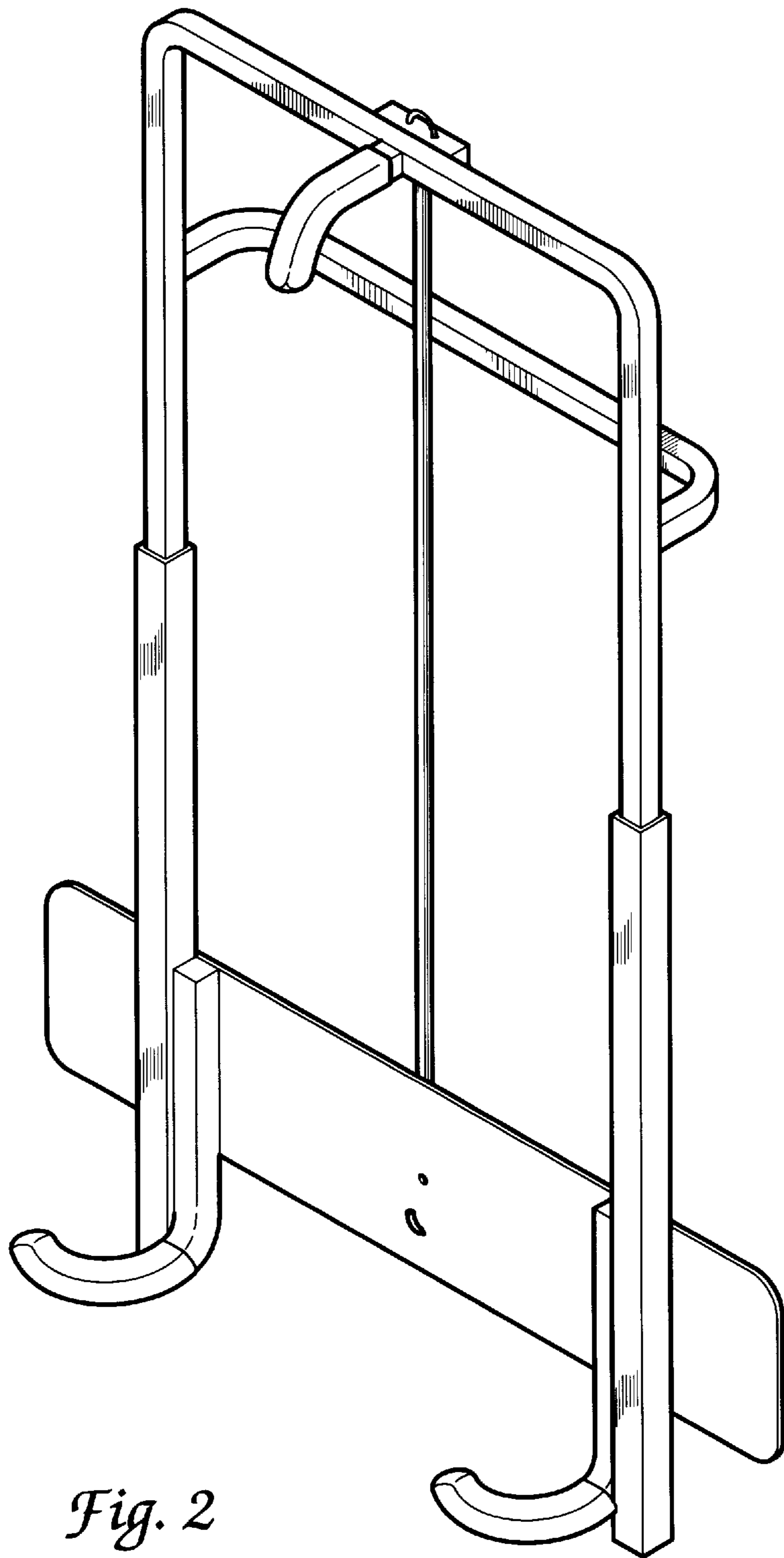


Fig. 2

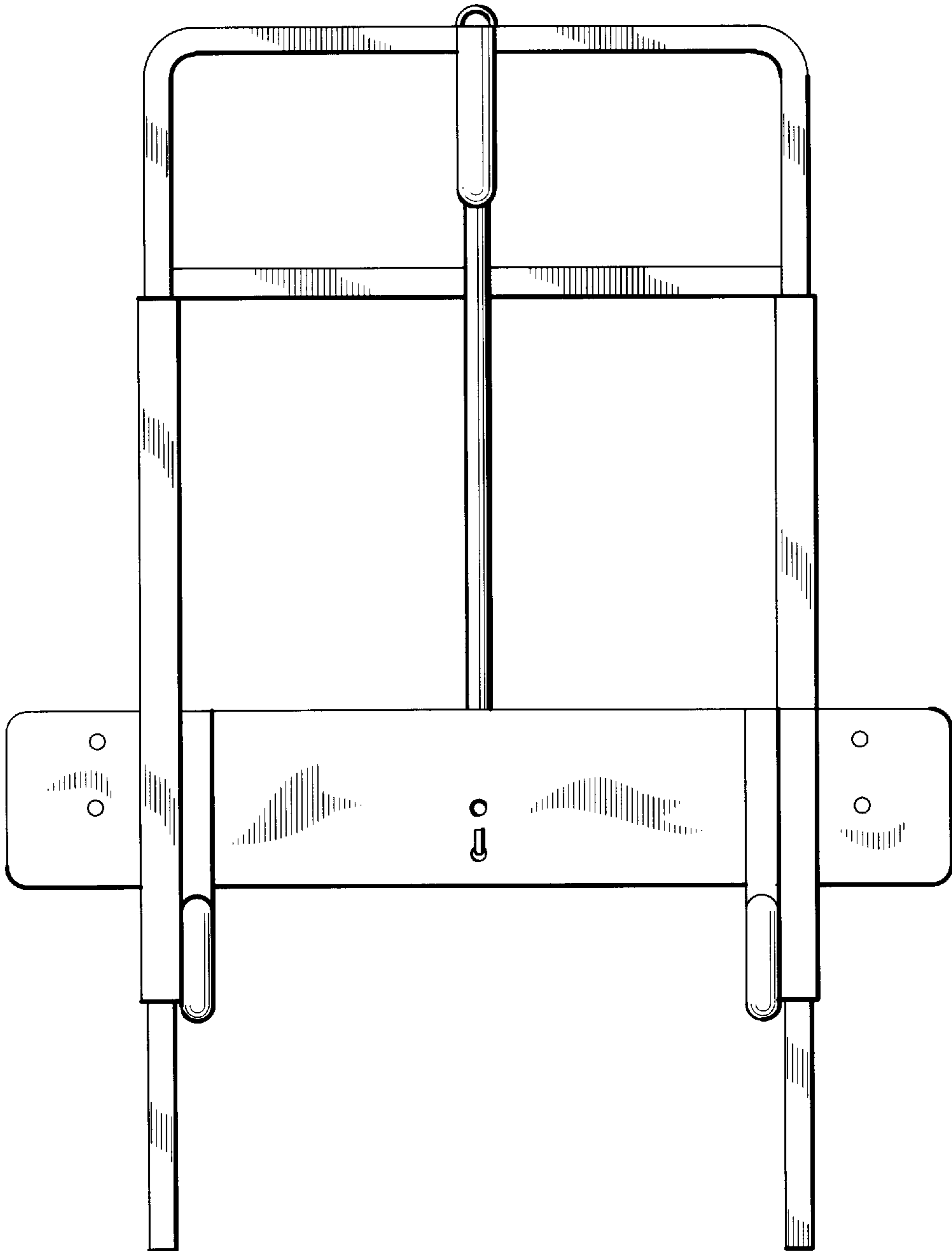


Fig. 3

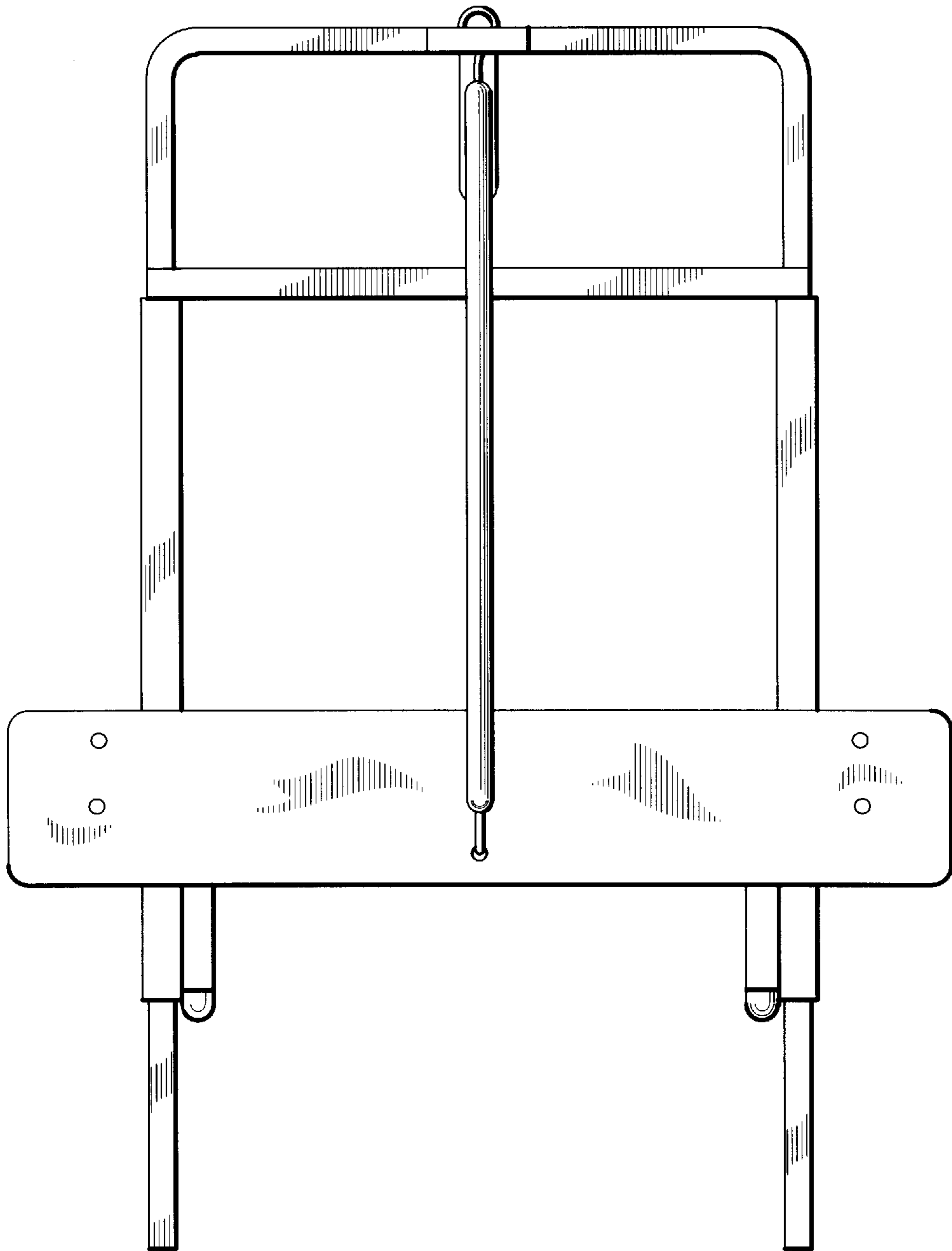


Fig. 4

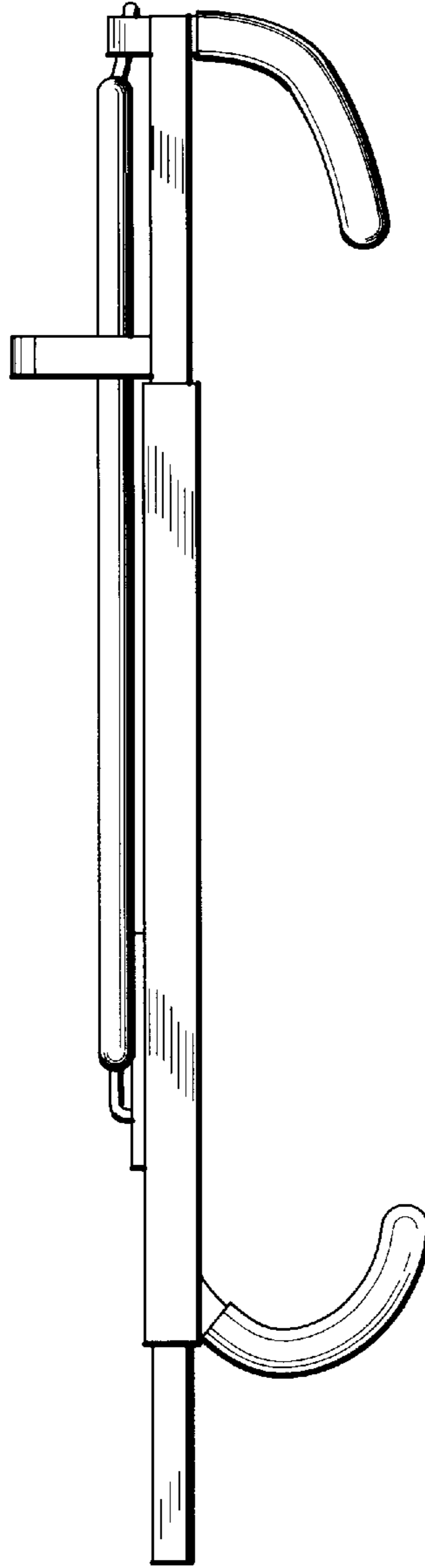


Fig. 5

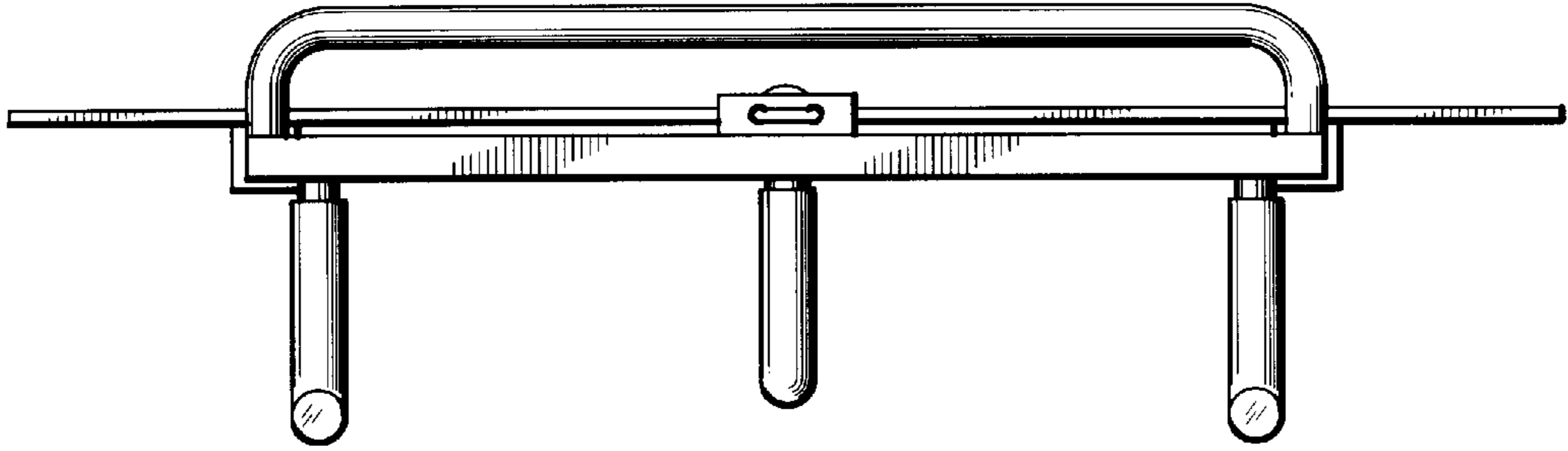


Fig. 6

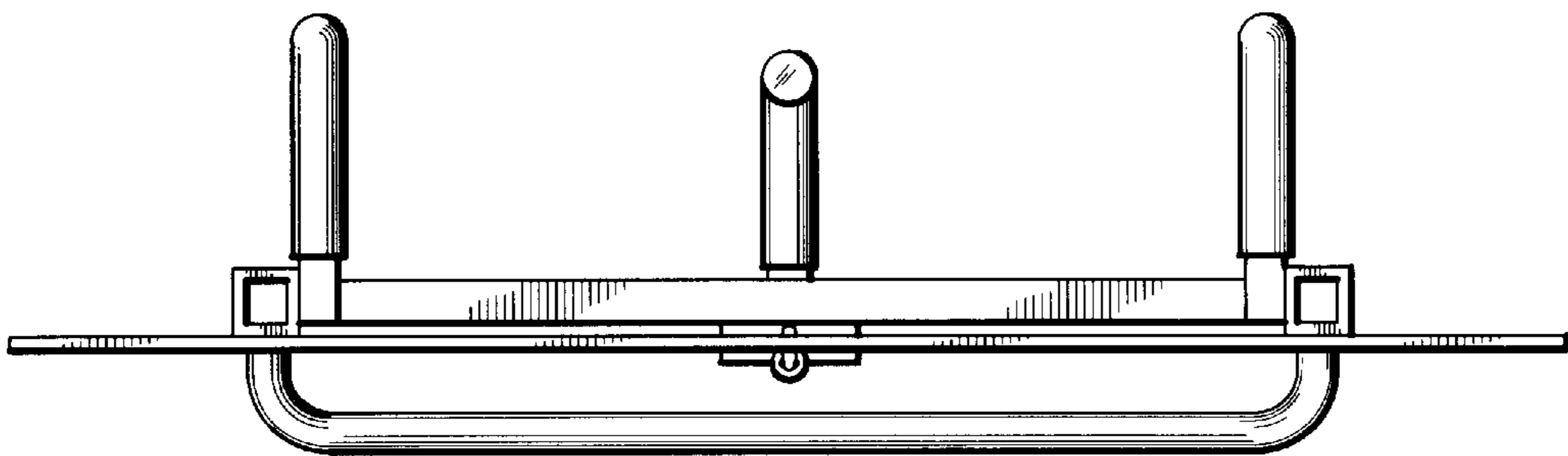


Fig. 7