



US00D405045S

# United States Patent [19]

Sauve et al.

[11] **Patent Number: Des. 405,045**

[45] **Date of Patent: \*\*Feb. 2, 1999**

[54] **BICYCLE SHELTER**

[76] Inventors: **Troy W. Sauve**, Condominium Senri, Apt. 422, 2-23-7 Senbanishi, Mino City, Osaka 562, Japan; **George J. Balastik**, 512-225 Alvin Road, Ottawa, Ontario, Canada, K1K 4H6

[\*\*] Term: **14 Years**

[21] Appl. No.: **81,033**

[22] Filed: **Dec. 22, 1997**

[30] **Foreign Application Priority Data**

Aug. 8, 1997 [CA] Canada ..... 1997-2082

[51] **LOC (6) Cl.** ..... **12-16**

[52] **U.S. Cl.** ..... **D12/402**

[58] **Field of Search** ..... D12/402; D3/254; 52/64, 66, 79.1; 206/78.1, 136; 150/167

[56] **References Cited**

**U.S. PATENT DOCUMENTS**

D. 334,837 4/1993 Bradley ..... D12/402 X

D. 361,977 9/1995 Kuhler ..... D12/402  
D. 377,474 1/1997 Rhead et al. .... D12/402  
D. 391,219 2/1998 Voorhees ..... D12/402  
5,533,616 7/1996 Crowfoot ..... 206/535

*Primary Examiner*—Melody N. Brown  
*Attorney, Agent, or Firm*—Laubscher & Laubscher; R. J. Lasker

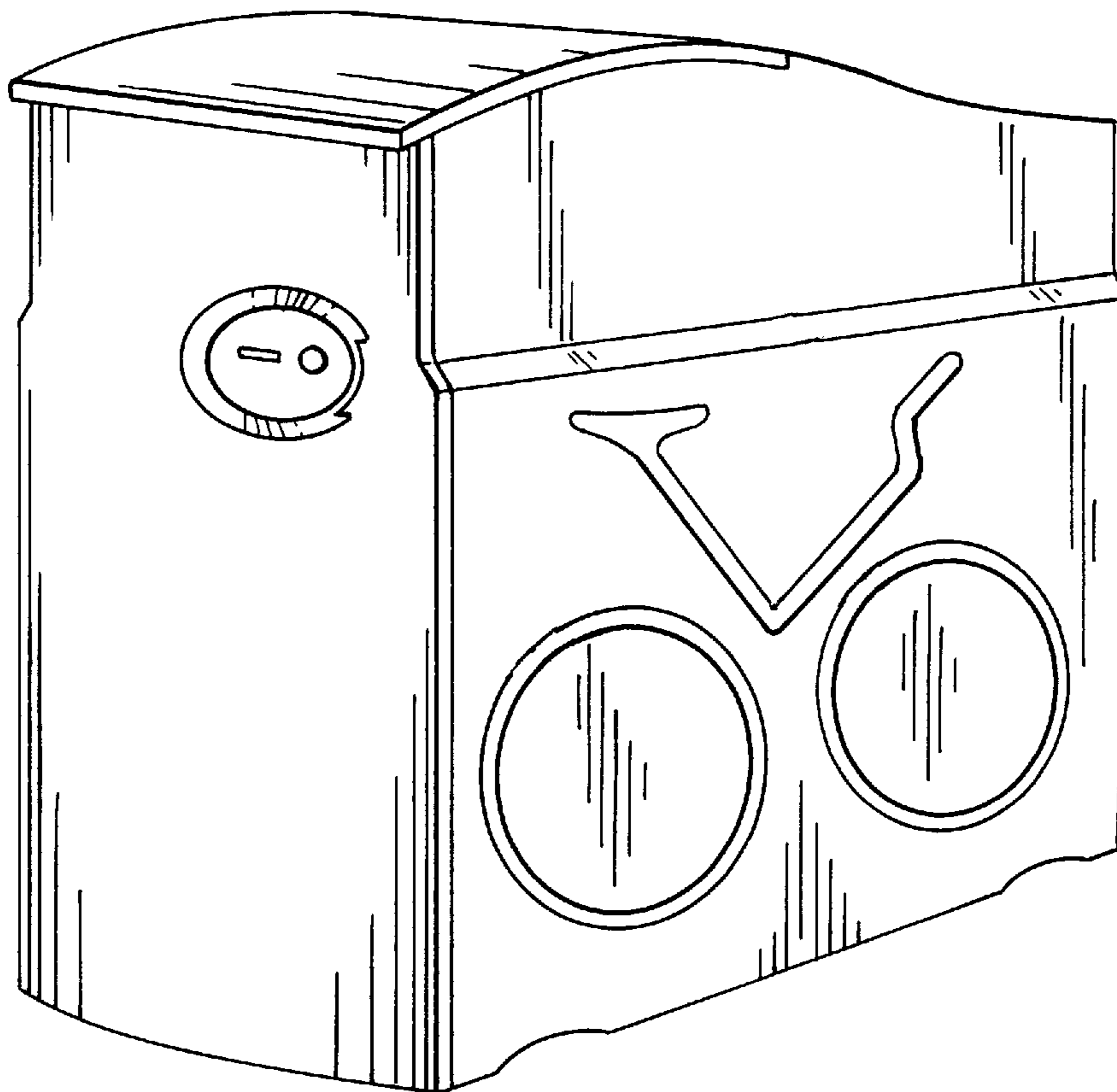
[57] **CLAIM**

The ornamental design for a bicycle shelter, as shown.

**DESCRIPTION**

FIG. 1 is a perspective view showing the new design of our bicycle shelter;  
FIG. 2 is a perspective view showing the bicycle shelter in an open state;  
FIG. 3 is a front view of the representation of FIG. 1;  
FIG. 4 is a rear view thereof;  
FIG. 5 is a top plan view thereof;  
FIG. 6 is a bottom plan view thereof; and,  
FIG. 7 is a side view thereof.

**1 Claim, 5 Drawing Sheets**



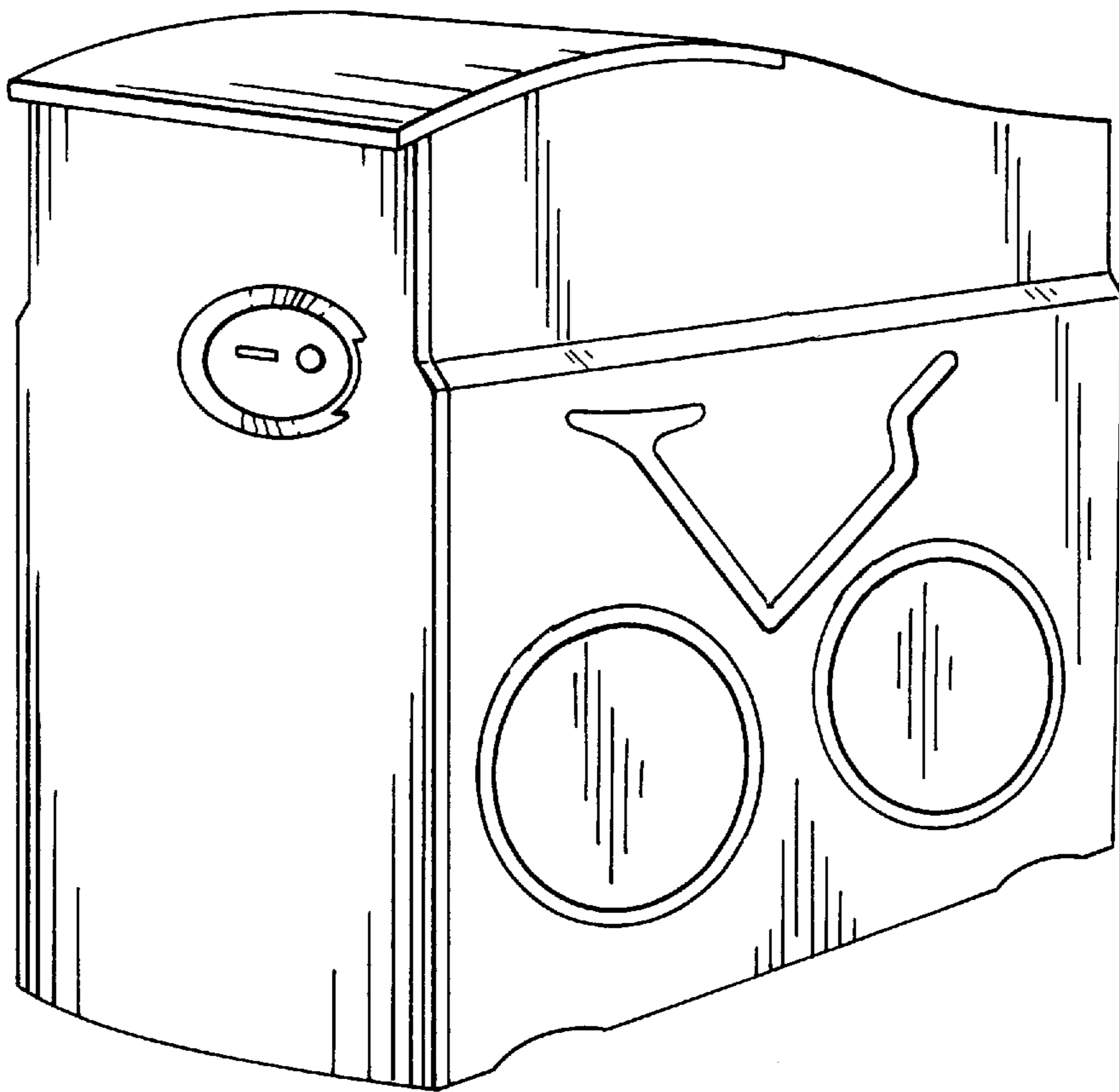


FIG. 1

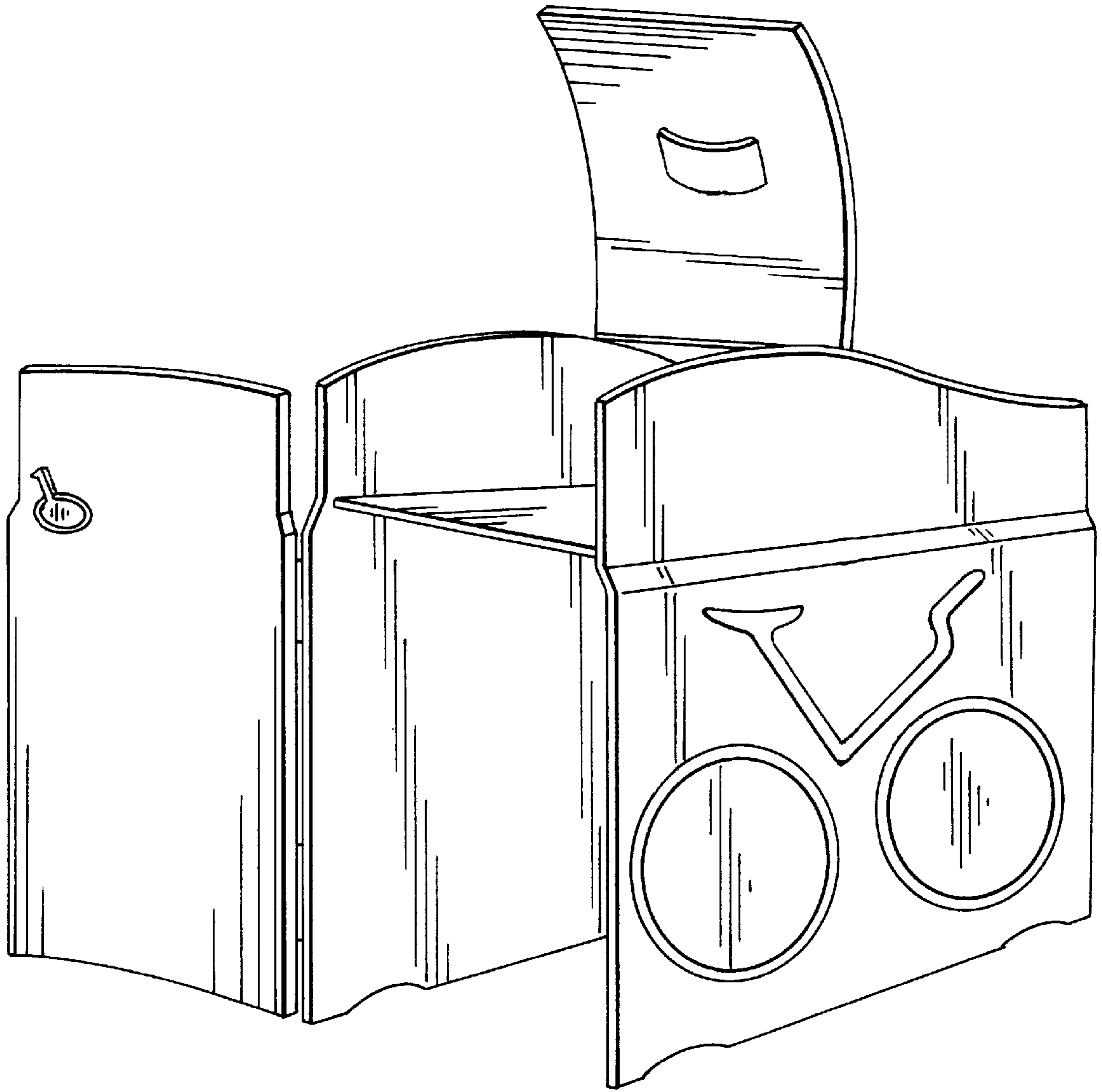


FIG. 2

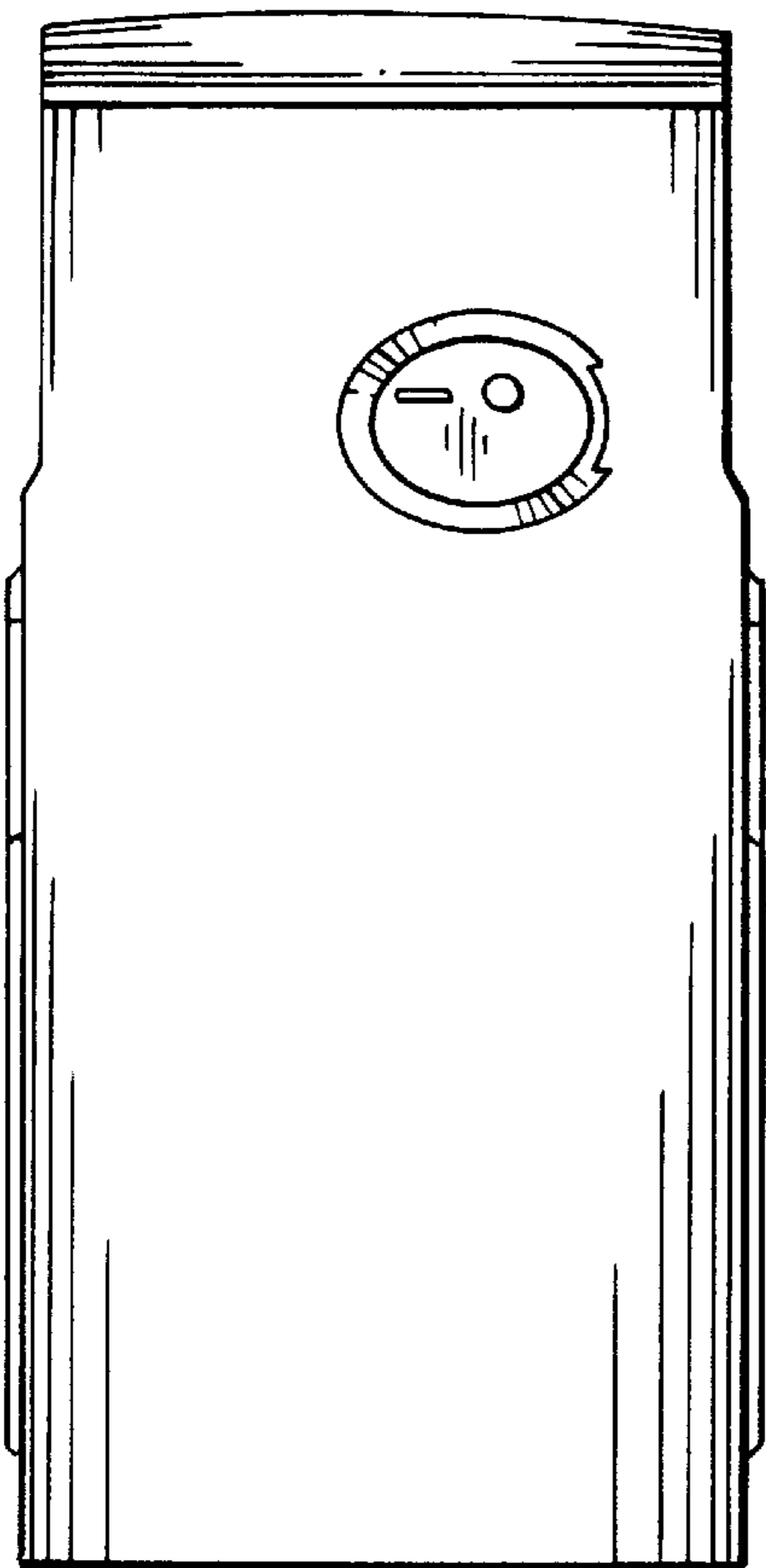


FIG. 3

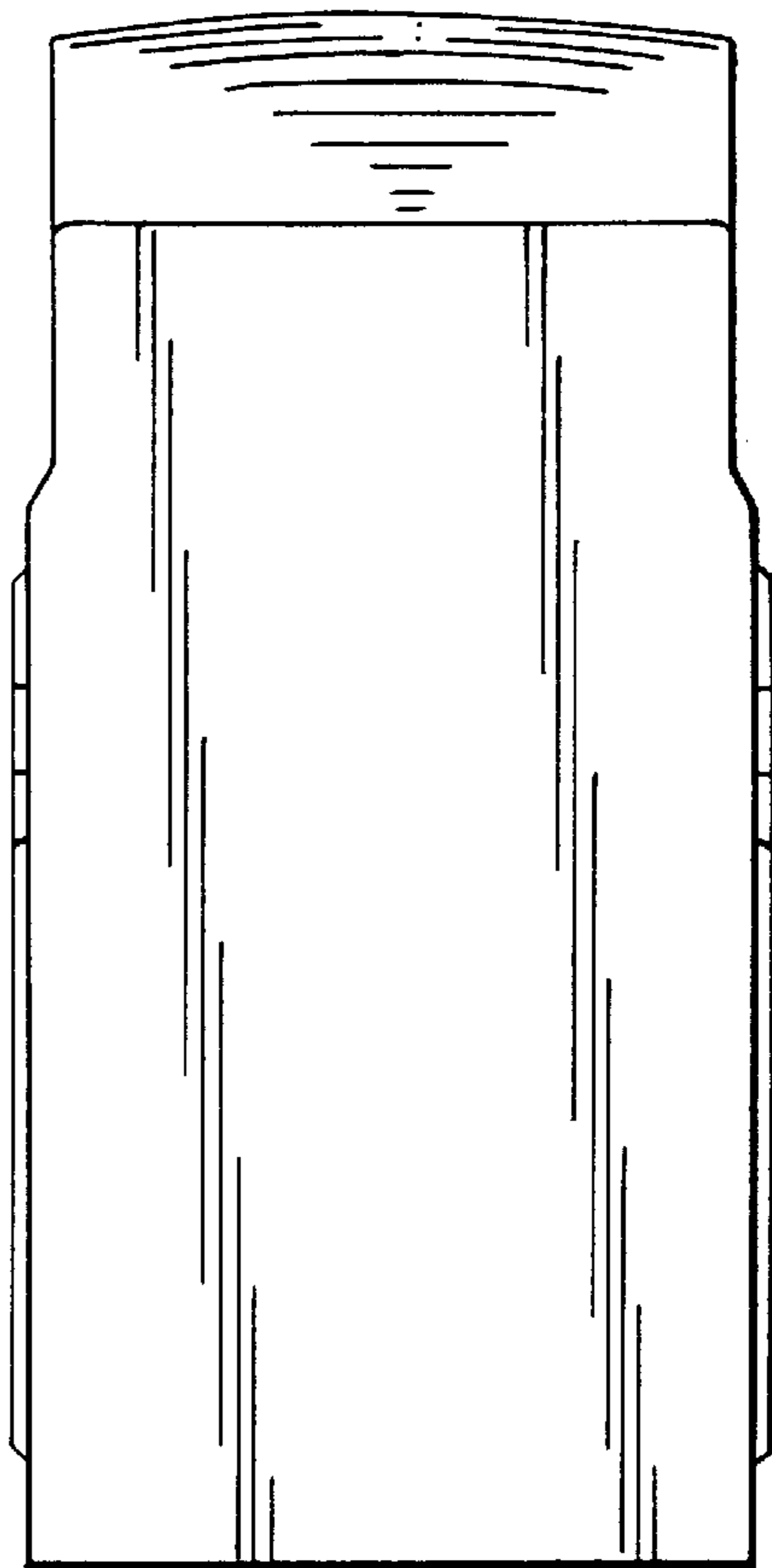


FIG. 4

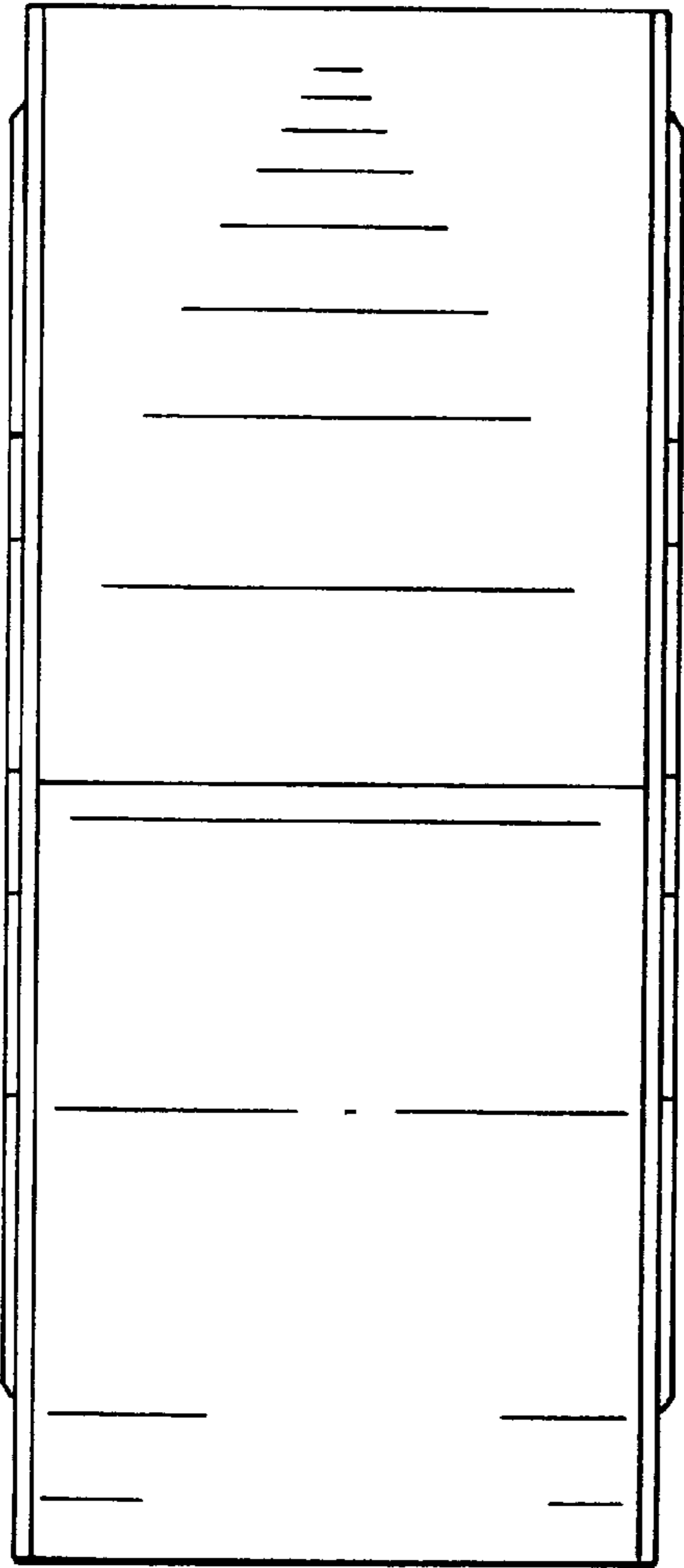


FIG. 5

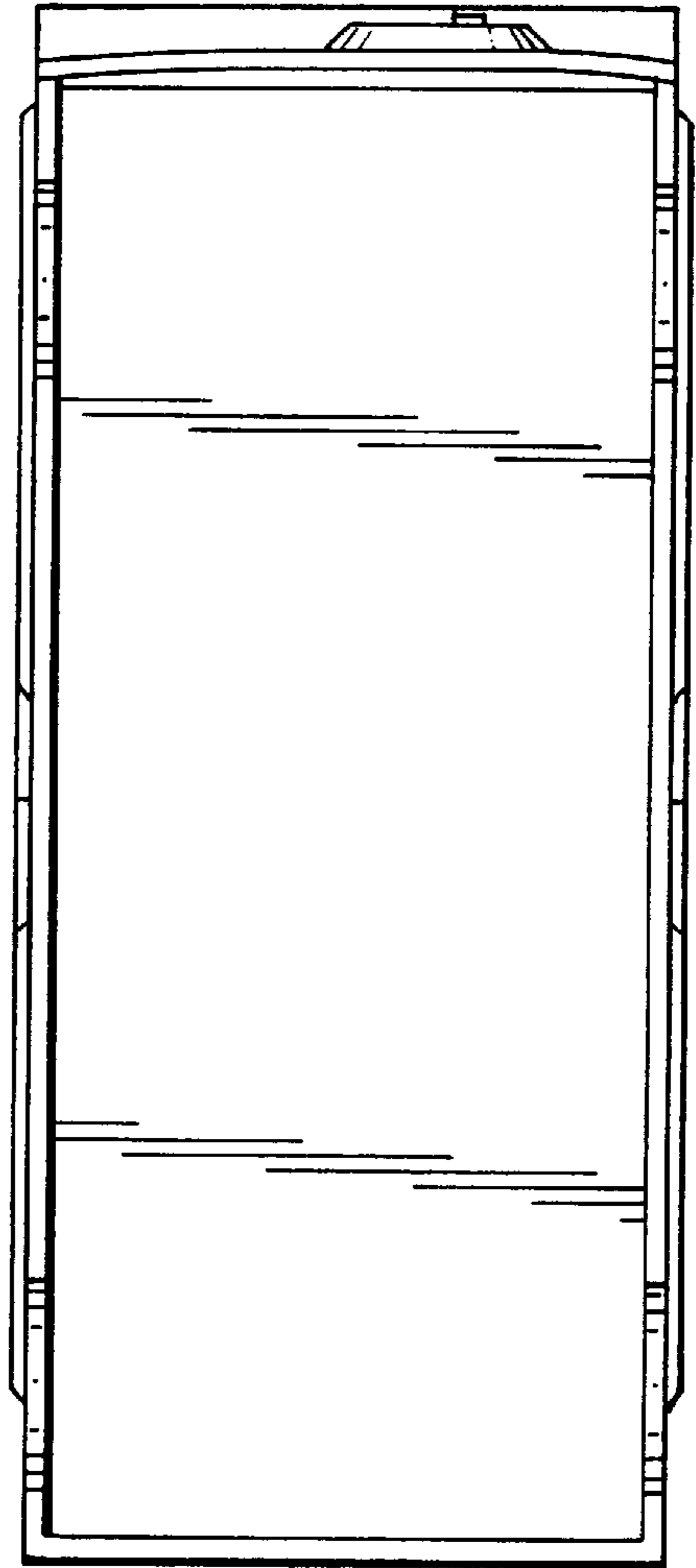


FIG. 6

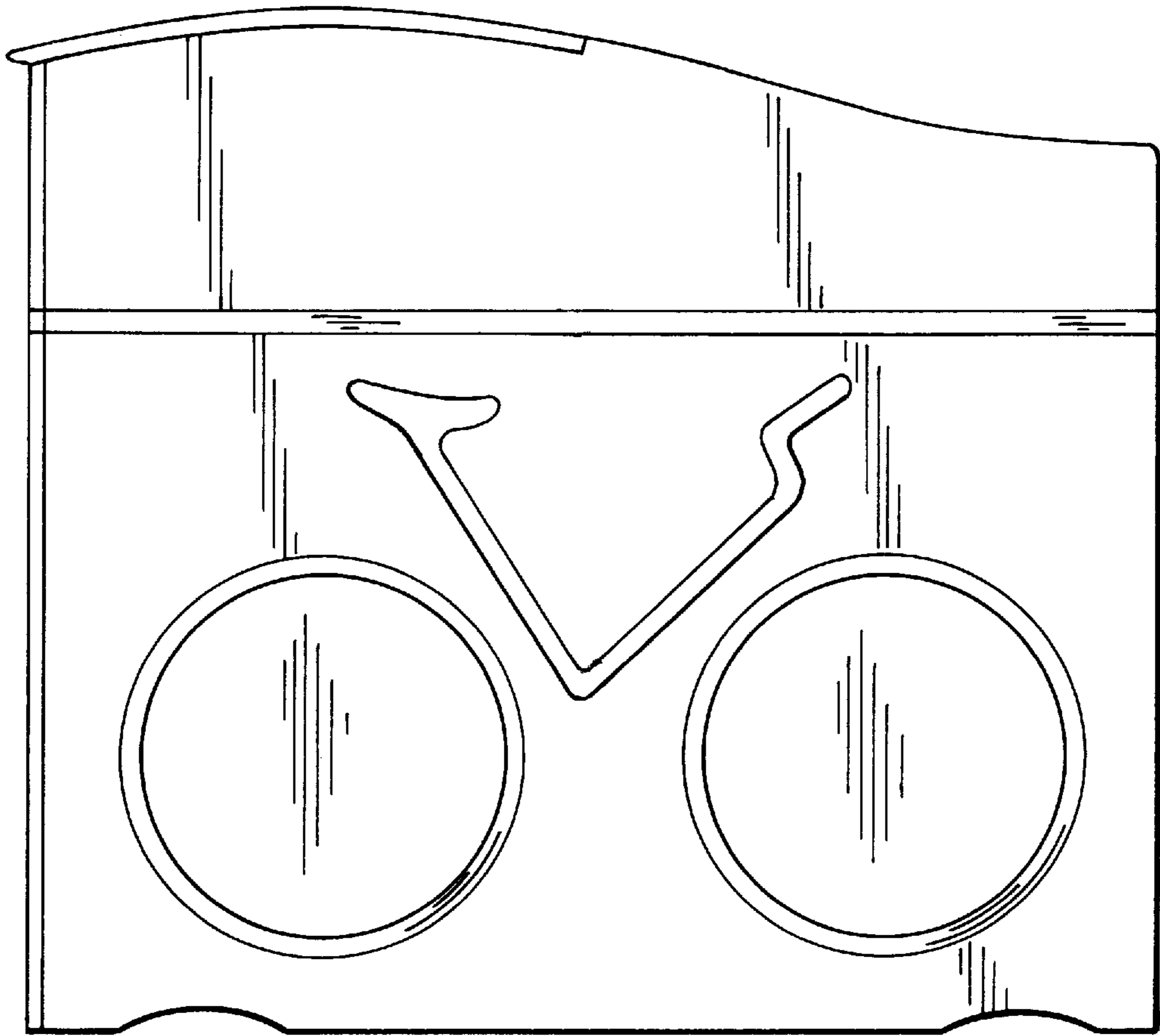


FIG. 7