



US00D405044S

United States Patent [19]
Dietlin

[11] **Patent Number: Des. 405,044**

[45] **Date of Patent: **Feb. 2, 1999**

[54] **VENTED DOCK FLOAT CASE**

[76] Inventor: **Hugo K. Dietlin**, P.O. Box 324,
Gainesville, Ga. 30503-0324

[**] Term: **14 Years**

[21] Appl. No.: **3,354**

[22] Filed: **Jan. 7, 1993**

[51] **LOC (6) Cl. 12-06**

[52] **U.S. Cl. D12/316**

[58] **Field of Search D12/316; 114/266,**
114/263

[56] **References Cited**

U.S. PATENT DOCUMENTS

Re. 24,837	6/1960	Usab	114/266
D. 196,402	9/1963	Brown	D12/316
D. 283,220	4/1986	Collier	D12/316
3,276,209	10/1966	Mosdell	114/266
3,659,540	5/1972	Toby et al.	114/266
4,318,361	3/1982	Slays	114/263

FOREIGN PATENT DOCUMENTS

4-43189	2/1992	Japan	114/266
---------	--------	-------	---------

Primary Examiner—Kay H. Chin
Attorney, Agent, or Firm—L. F. Hilber

[57] **CLAIM**

The ornamental design for a vented dock float case, as shown and described.

DESCRIPTION

FIG. 1 is a top perspective view of a vented dock float case

showing my new design, the broken lines are for illustrative purposes only and form no part of the claimed design;

FIG. 2 is an end elevational view thereof, the opposite end view being a mirror image of that shown;

FIG. 3 is a side elevational view thereof, the opposite side view being a mirror image of that shown;

FIG. 4 is a bottom plan view thereof;

FIG. 5 is an enlarged cross sectional view taken along line 5—5 of FIG. 7;

FIG. 6 is an enlarged cross sectional view taken along line 6—6 of FIG. 10;

FIG. 7 is a fragmentary perspective view of FIG. 1, it being cut-away and pulled-away to show the core;

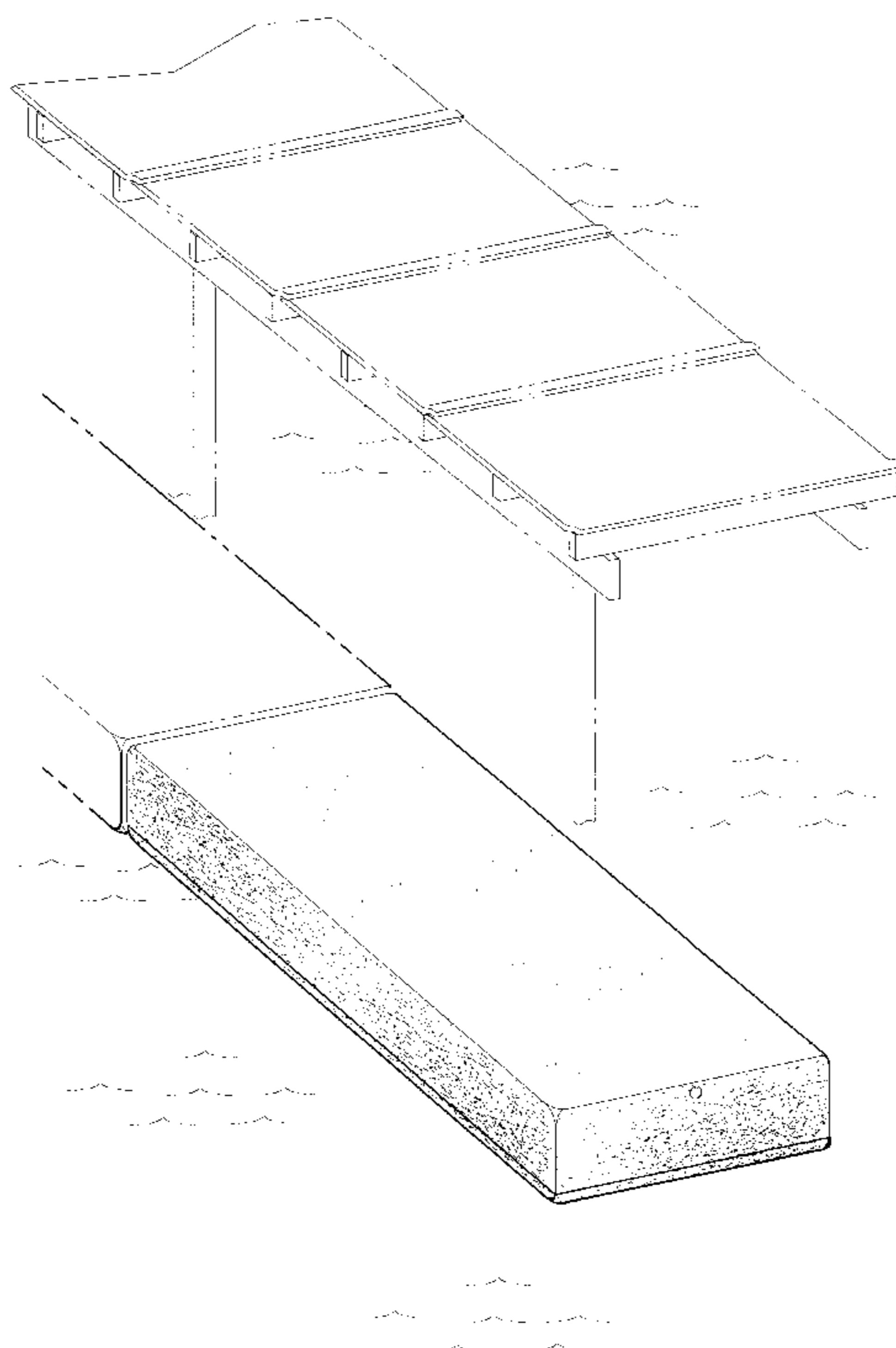
FIG. 8 is an enlarged end cross sectional view taken along line 8—8 of FIG. 7;

FIG. 9 is an enlarged end cross sectional view taken along line 9—of FIG. 10;

FIG. 10 is a top and side perspective view of a second embodiment of the vented dock float case, the opposite side and end views being a mirror image of that shown, and the bottom is flat and unornamented; and,

FIG. 11 is an enlarged fragmentary exploded view of the vented dock float case and plug.

1 Claim, 6 Drawing Sheets



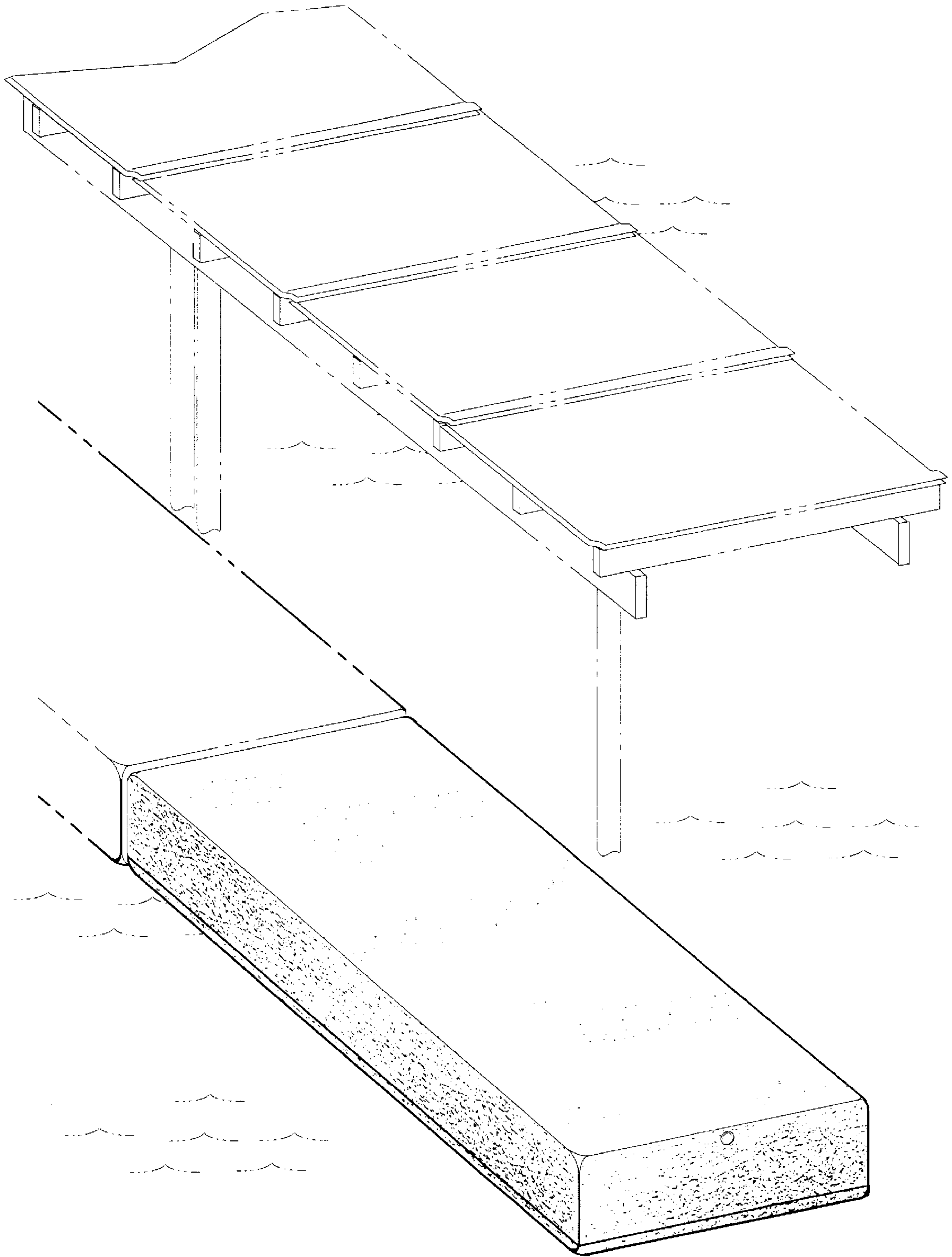


FIG 1

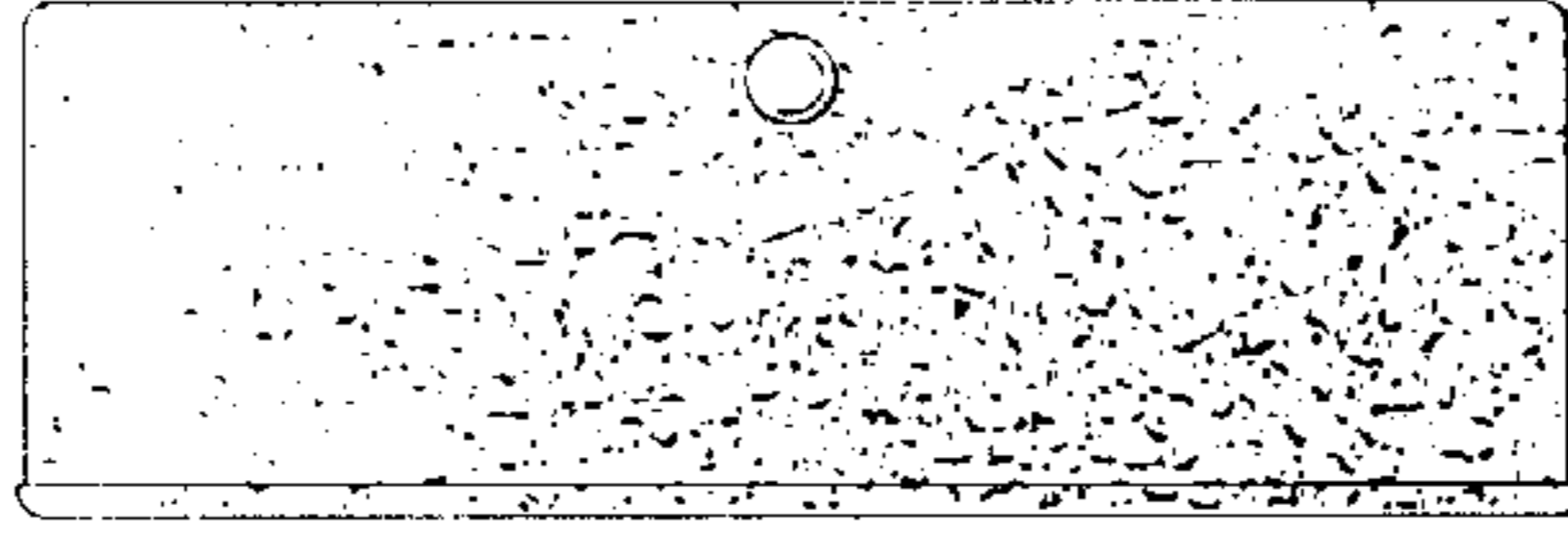


FIG 2

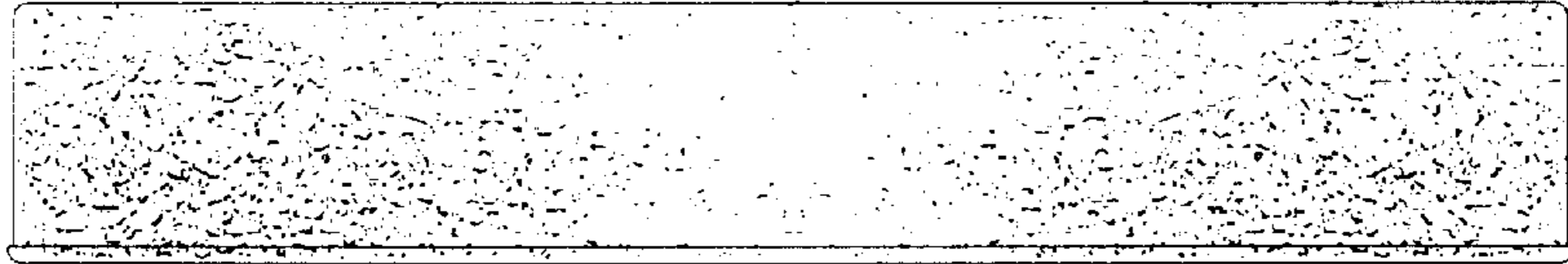


FIG 3

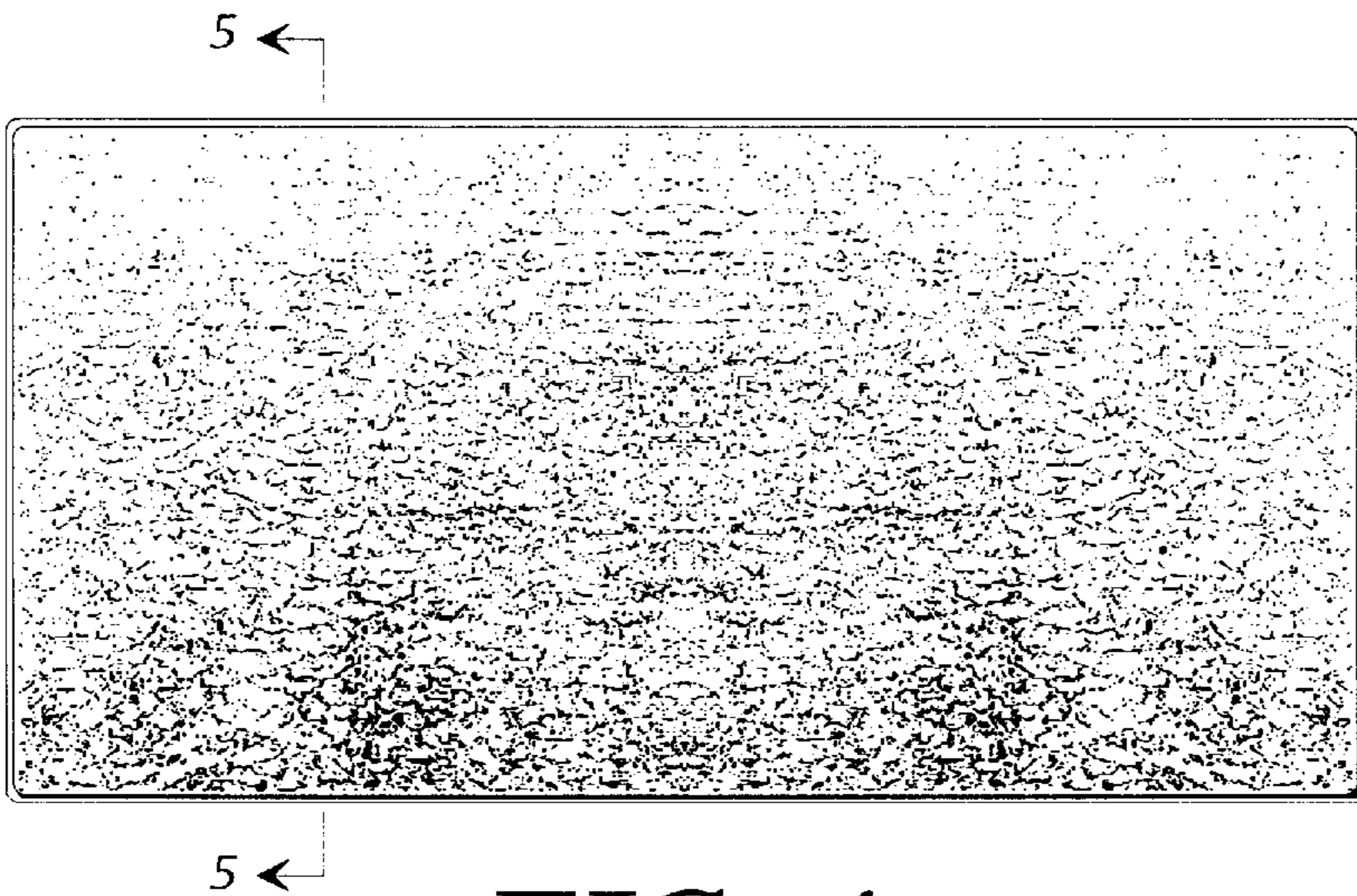


FIG 4

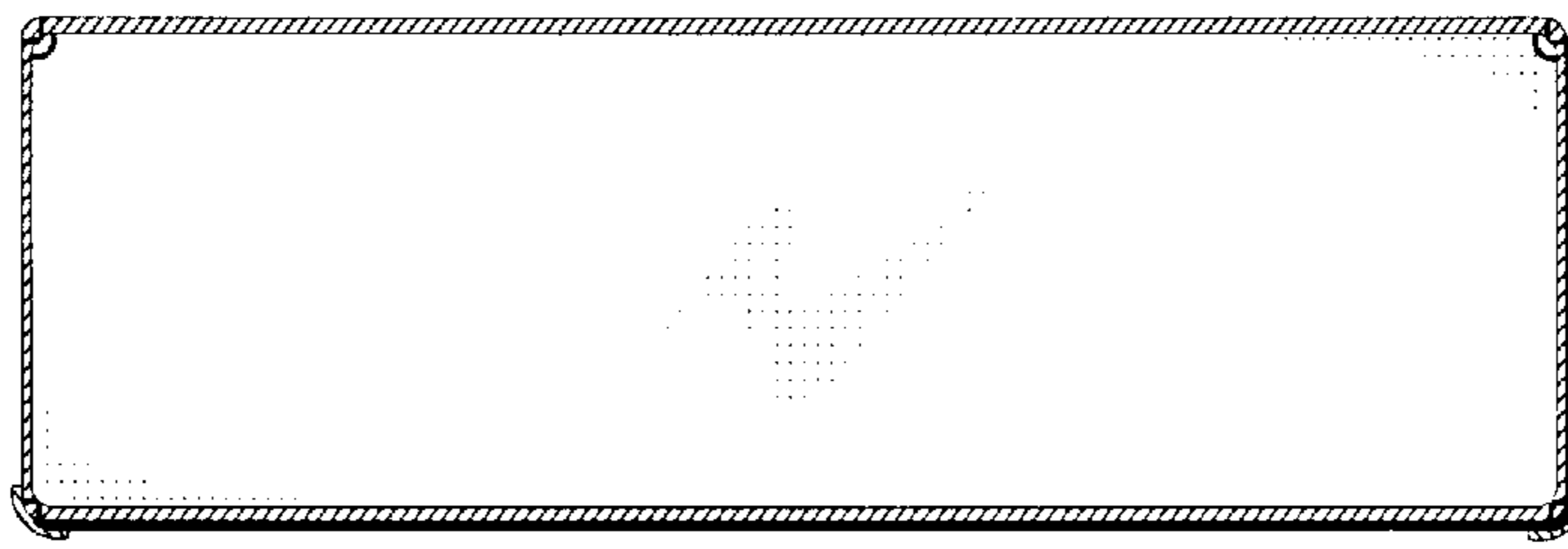


FIG 5

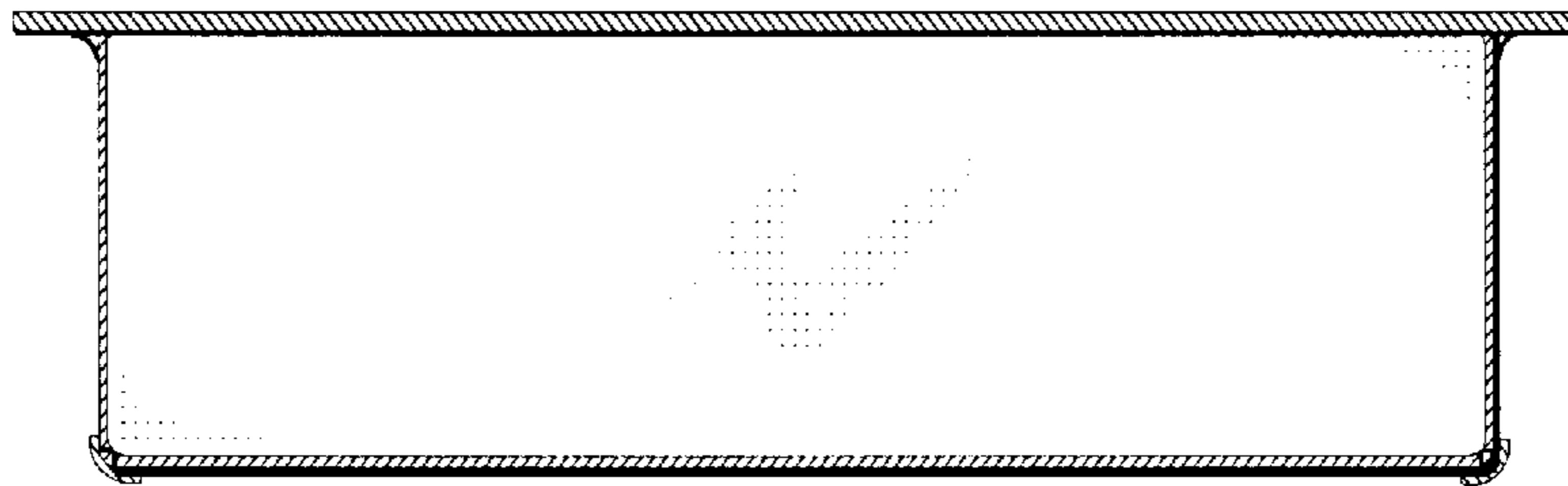


FIG 6

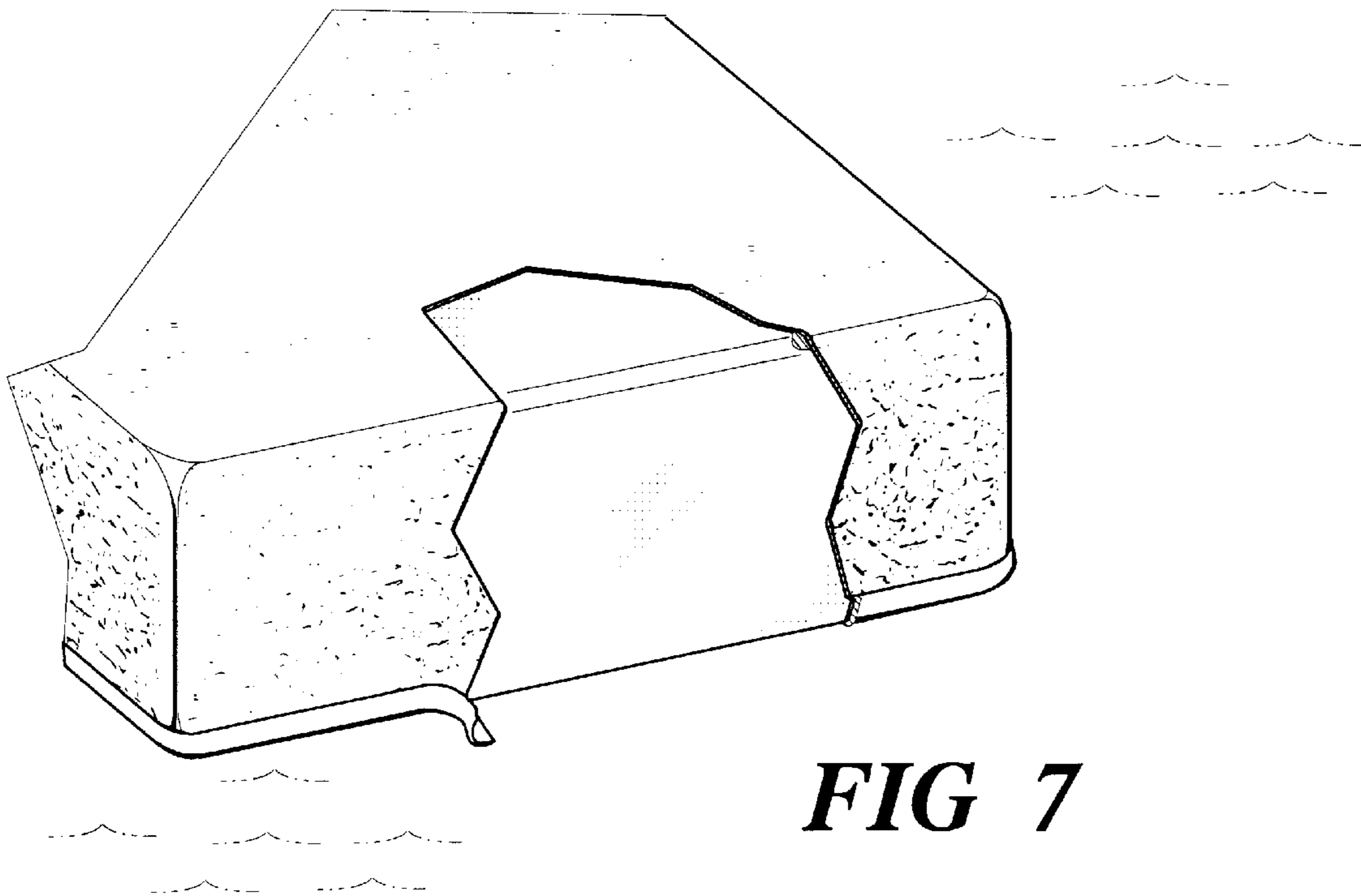


FIG 7

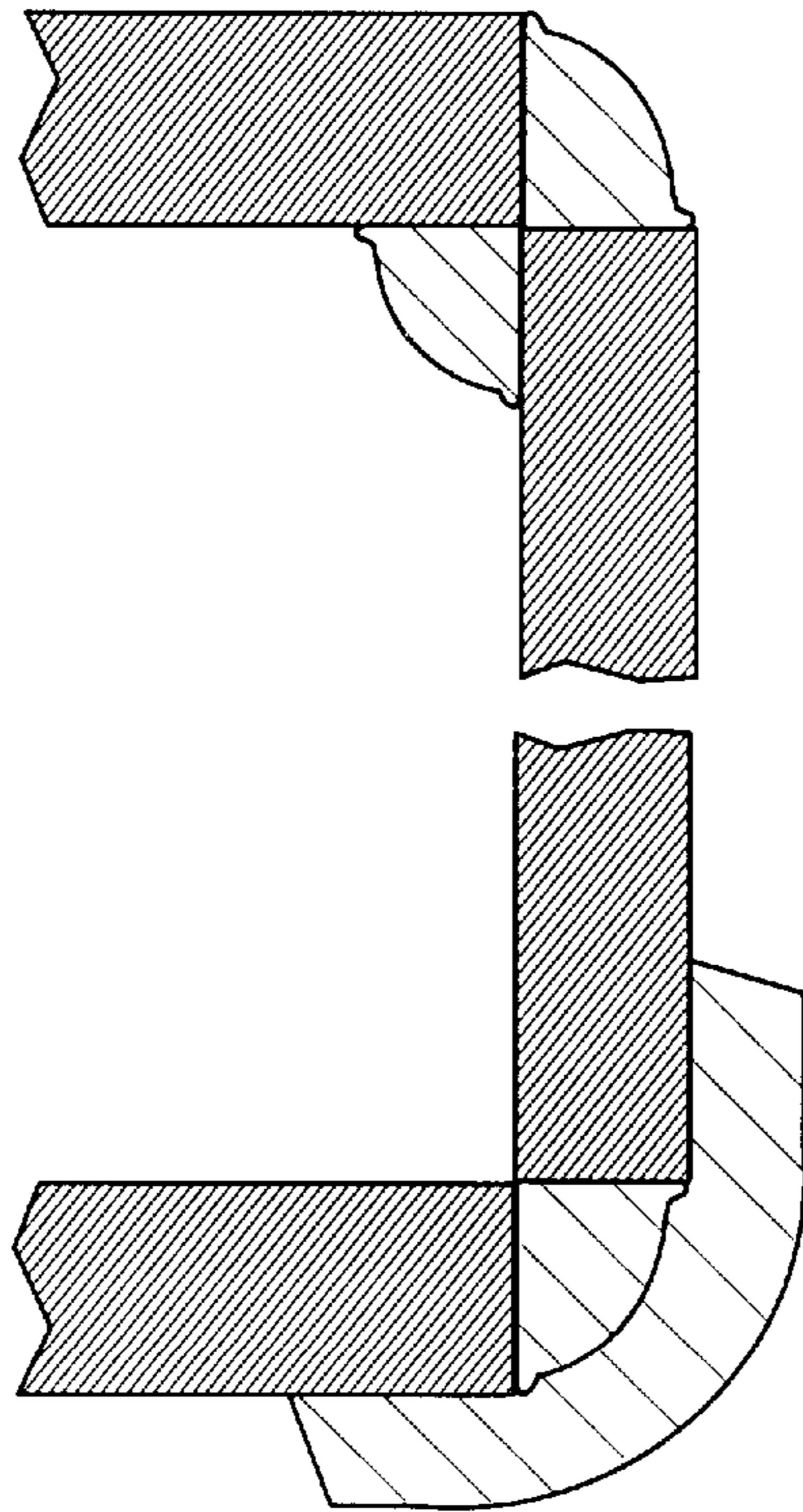


FIG 8

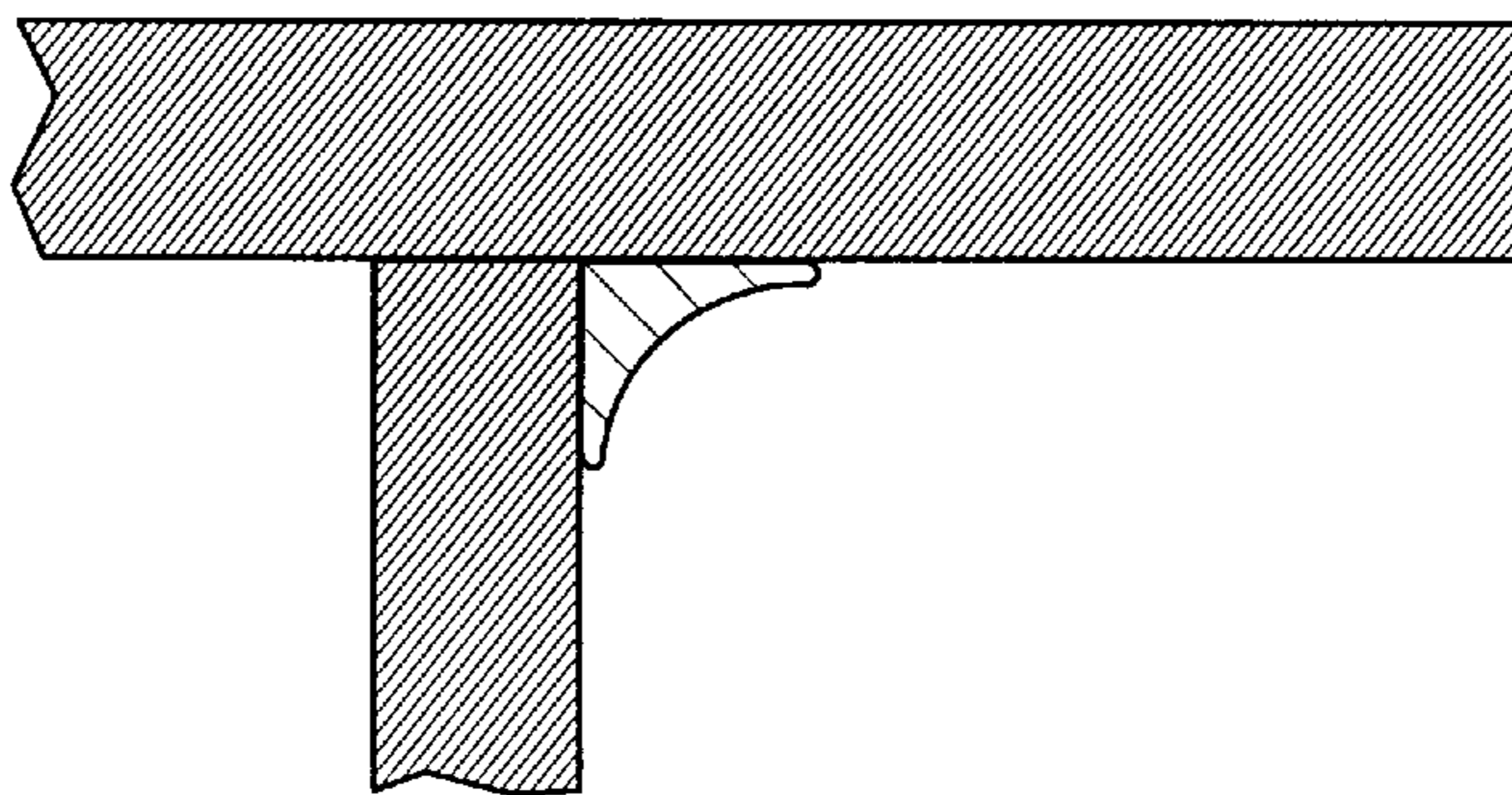


FIG 9

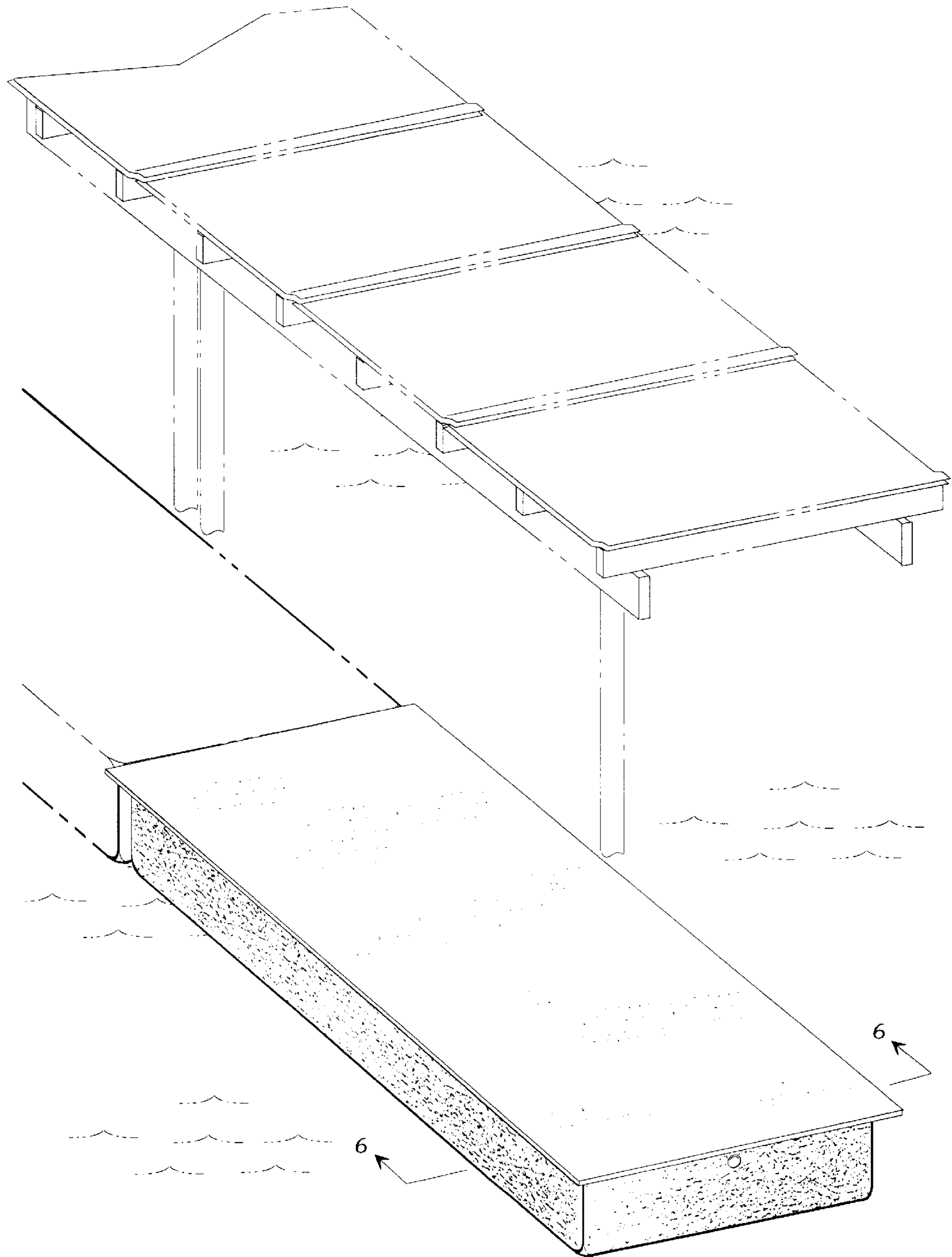


FIG 10

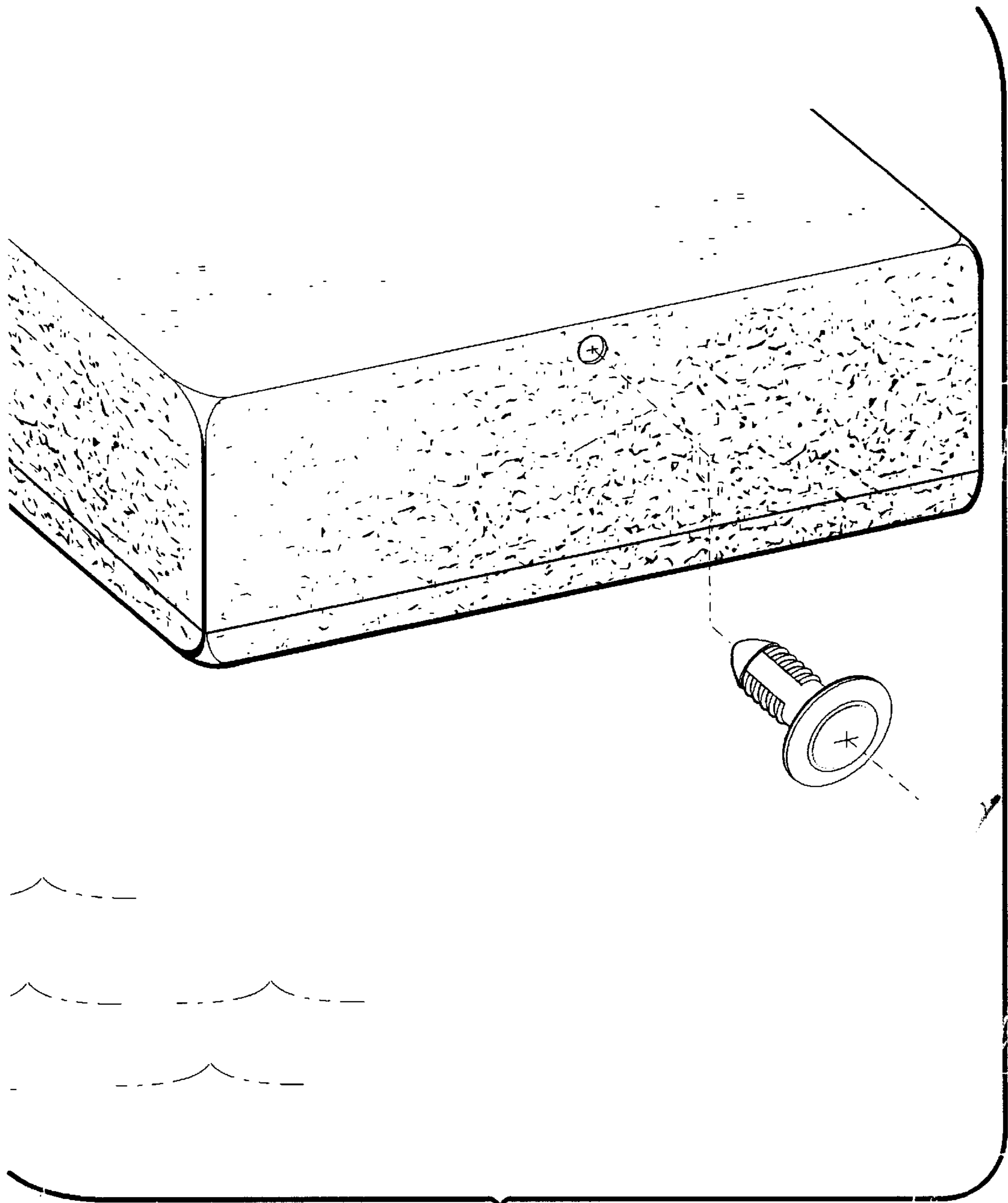


FIG 11