



US00D405041S

United States Patent [19]

Bidwell et al.

[11] Patent Number: **Des. 405,041**

[45] Date of Patent: ****Feb. 2, 1999**

[54] **WHEEL COVER EXTERIOR SURFACE FOR A PERSONNEL CARRYING VEHICLE**

[75] Inventors: **Thomas Bidwell**, St. Marys; **Michael P. Gallagher**, Greenville; **Leif A. Norland**, St. Marys; **Steven R. Pulskamp**, New Bremen, all of Ohio

[73] Assignee: **Crown Equipment Corporation**, New Bremen, Ohio

[**] Term: **14 Years**

[21] Appl. No.: **59,604**

[22] Filed: **Sep. 13, 1996**

[51] **LOC (6) Cl.** **12-16**

[52] **U.S. Cl.** **D12/204**

[58] **Field of Search** D12/204-213, D12/133; 301/64.1, 65, 37.1, 64.3, 64.7

[56] **References Cited**

U.S. PATENT DOCUMENTS

D. 157,822 3/1950 Wolfe D12/204

D. 275,564 9/1984 Meyerspeer et al. D12/206
D. 293,233 12/1987 Berg D12/204
D. 317,746 6/1991 Carter, III D12/204
907,587 12/1908 Fouch D12/204 X
1,193,717 8/1916 Putnam D12/204 X
3,734,566 5/1973 Hanley D12/210 X

Primary Examiner—Jeffrey Asch
Assistant Examiner—Stacia Sinuik
Attorney, Agent, or Firm—Killworth, Gottman, Hagan & Schaeff, LLP

[57] **CLAIM**

The ornamental design for a wheel cover exterior surface for a personnel carrying vehicle, as shown and described.

DESCRIPTION

FIG. 1 is a perspective view of the wheel for a personnel carrying vehicle showing our new design; FIG. 2 is a front elevational view thereof; FIG. 3 is a section view taken along lines 3—3 of FIG. 2; FIG. 4 is an enlarged detailed view of the circled section labeled 4 shown in FIG. 3; and, FIG. 5 is a rear elevational view of the wheel of FIG. 1.

1 Claim, 3 Drawing Sheets

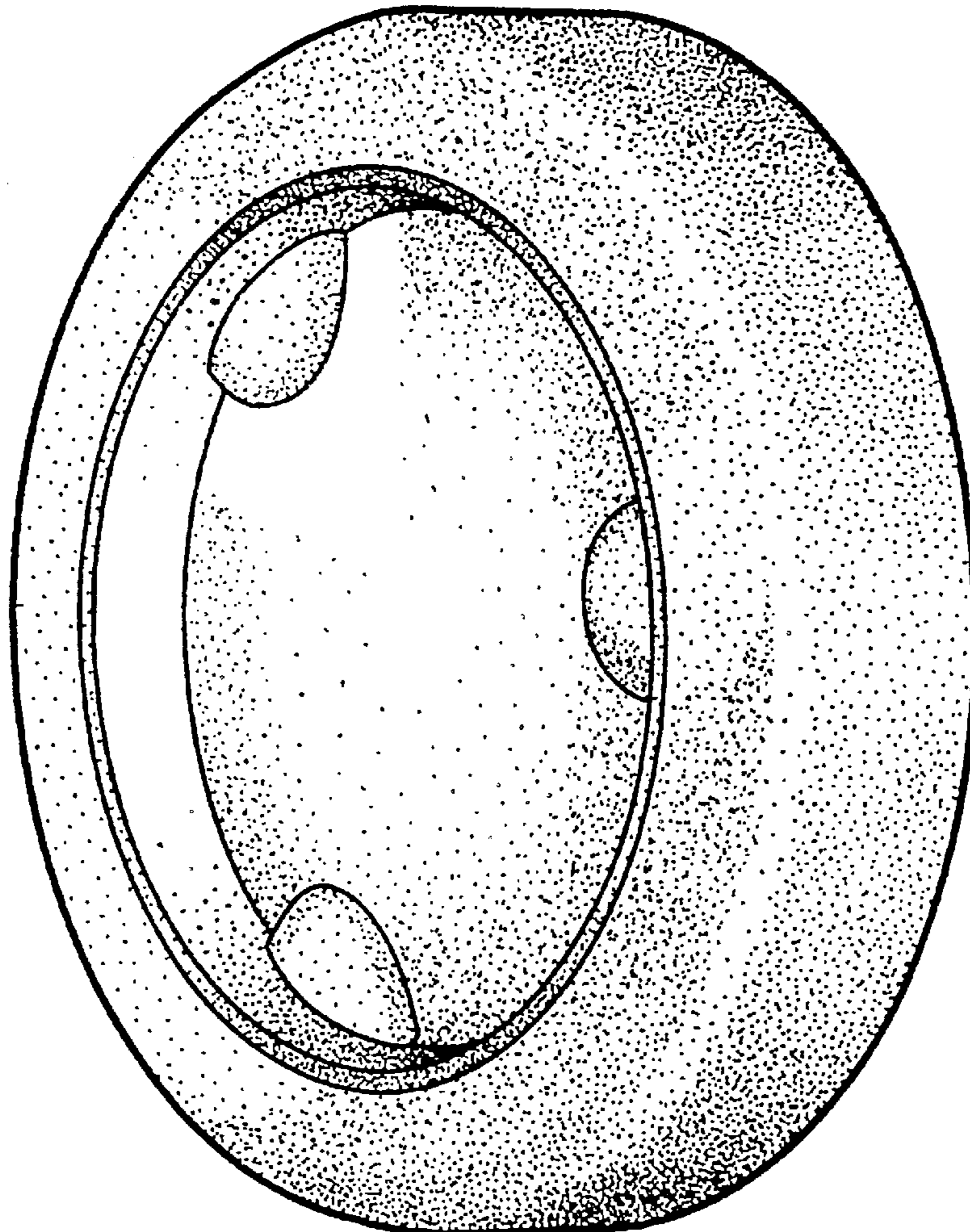


Fig. 1

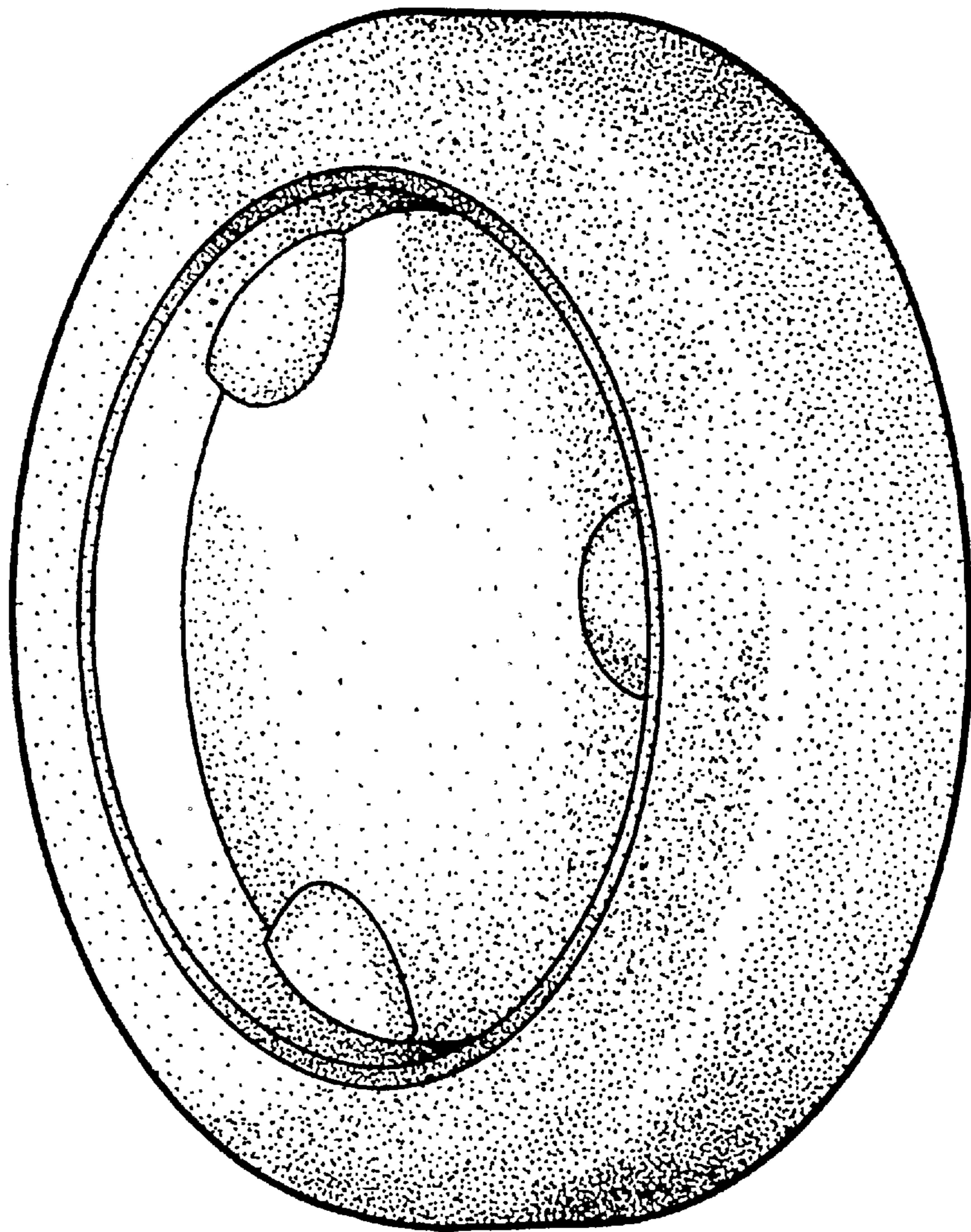


Fig. 2

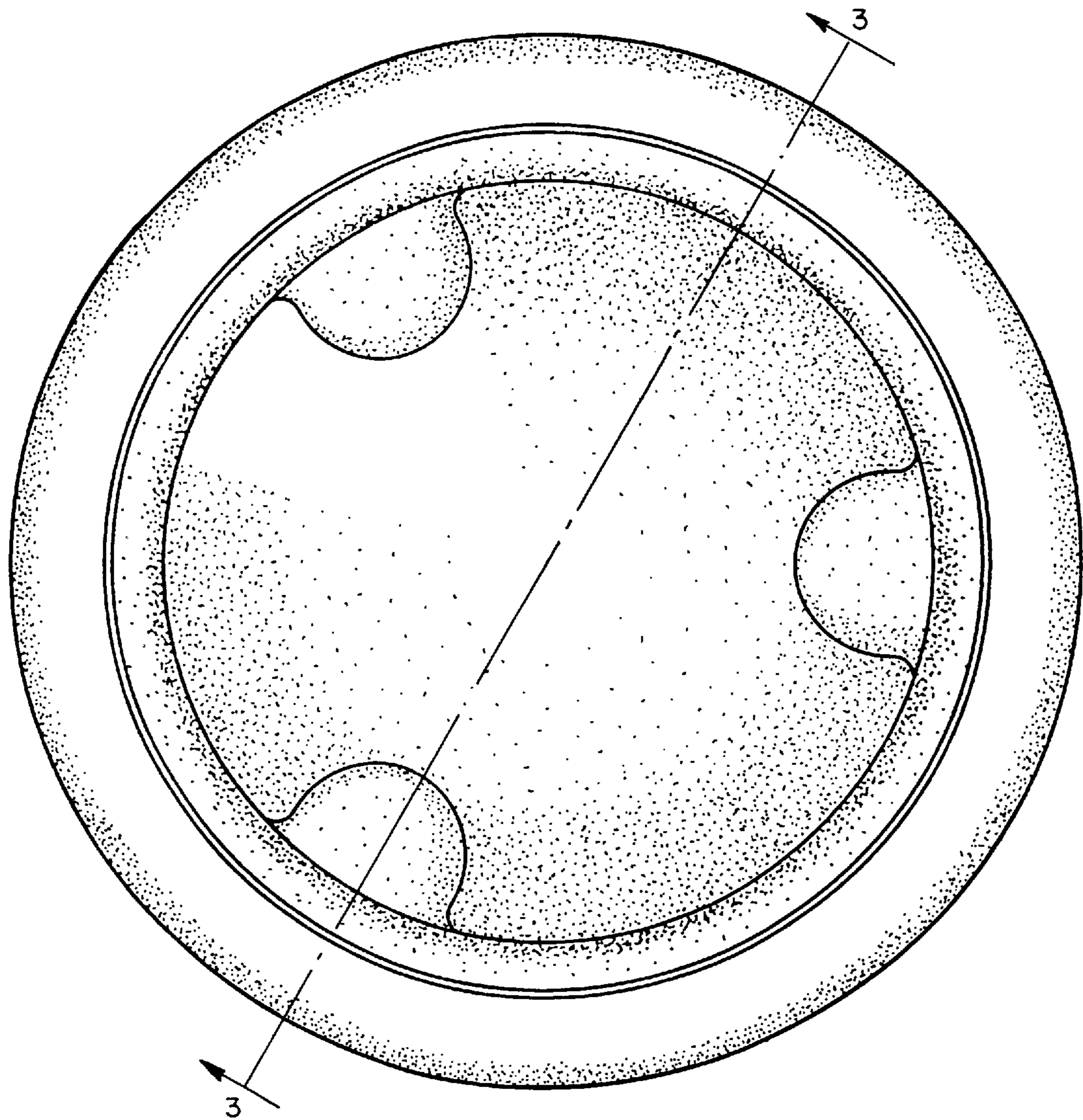


Fig 5

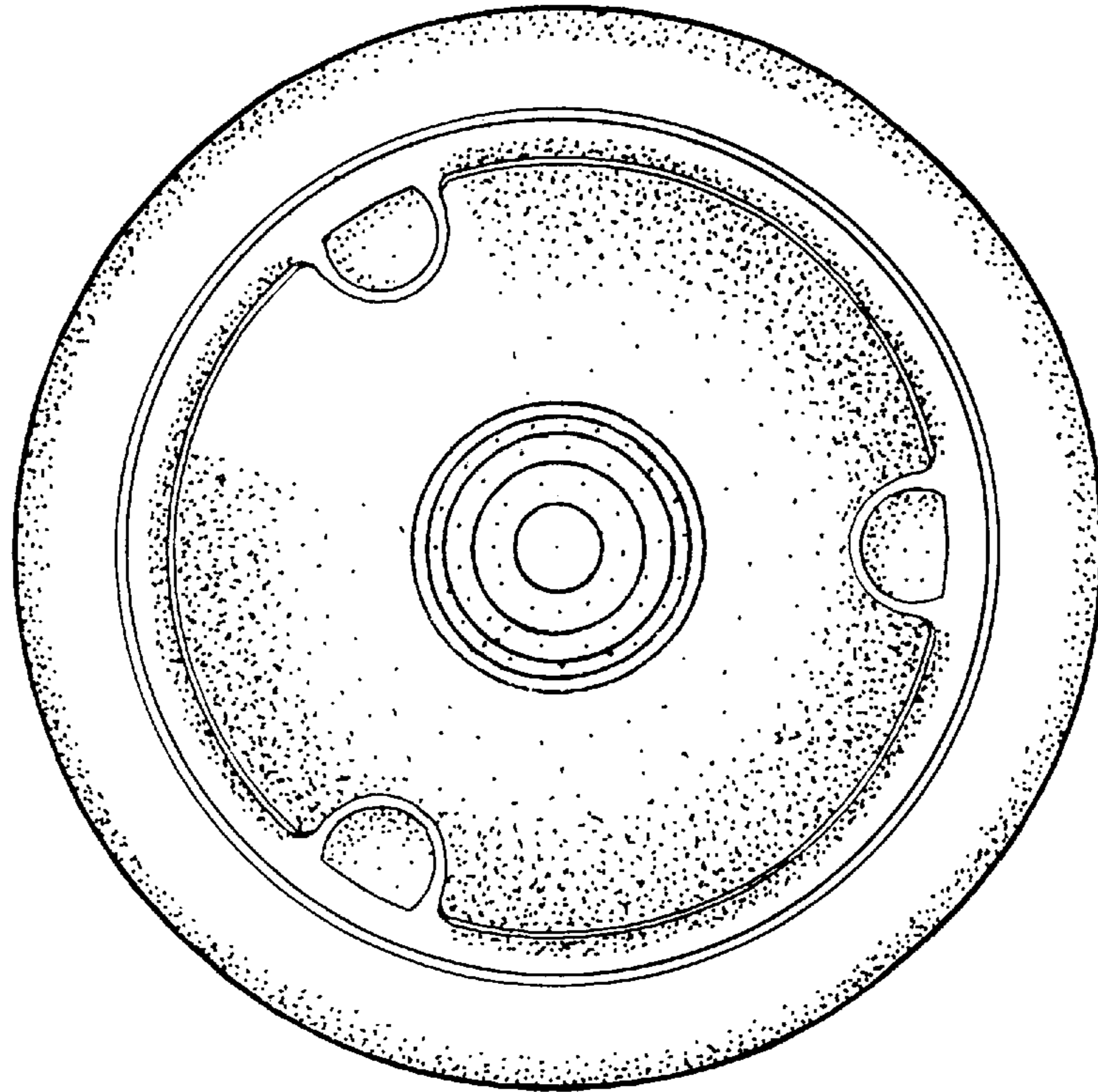


Fig 3

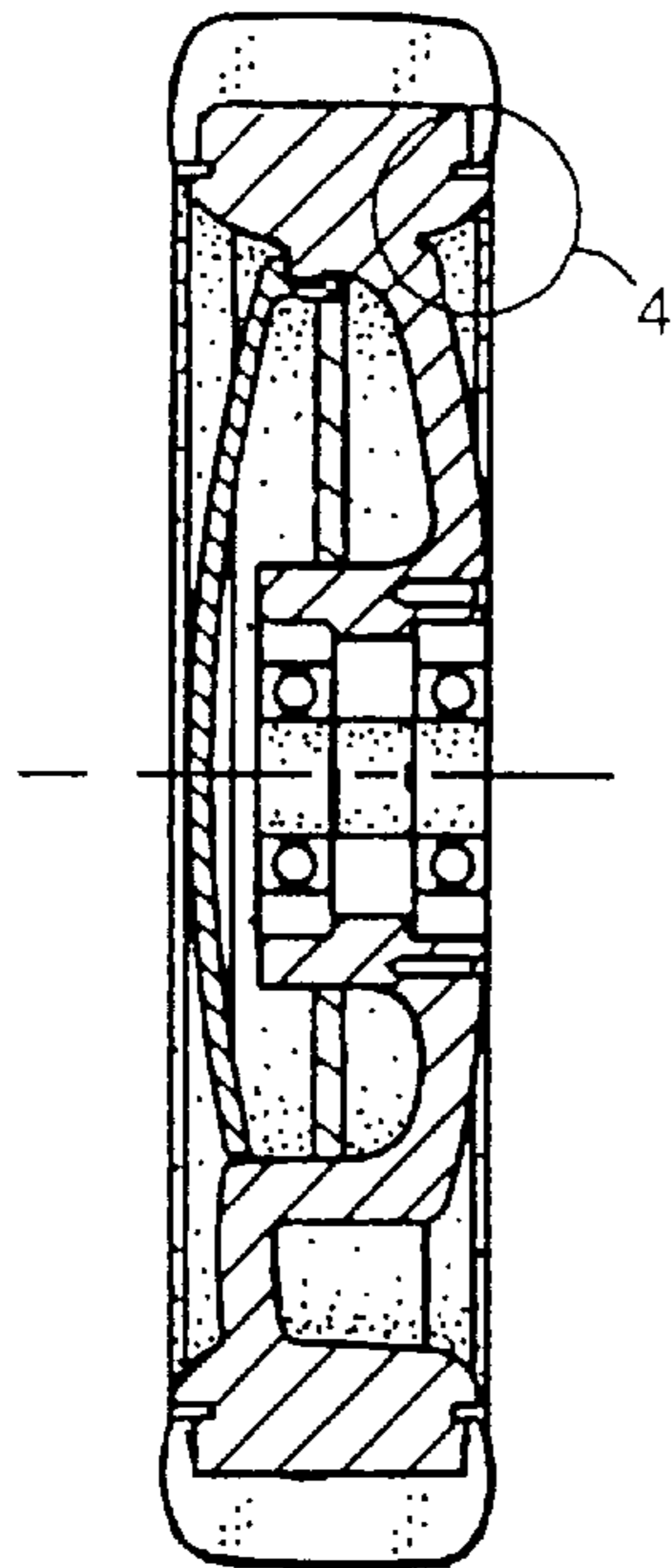


Fig 4

