



US00D405040S

United States Patent [19]
Badiali

[11] **Patent Number: Des. 405,040**

[45] **Date of Patent: **Feb. 2, 1999**

[54] **MARINE INSTRUMENT COVER**

D. 300,020 2/1989 Petrilli D12/317 X
D. 333,307 2/1993 Sliper et al. D14/157 X
D. 339,787 9/1993 Badiali D12/317

[76] Inventor: **John A. Badiali**, 10 Opal Ave.,
Middleboro, Mass. 02346

[**] Term: **14 Years**

Primary Examiner—Freda Nunn
Attorney, Agent, or Firm—Kirschstein, et al.

[21] Appl. No.: **78,429**

[57] **CLAIM**

[22] Filed: **Sep. 18, 1995**

The ornamental design for a marine instrument cover, as shown and described.

Related U.S. Application Data

DESCRIPTION

[63] Continuation of Ser. No. 26,458, Jul. 28, 1994, abandoned.

FIG. 1 is a perspective view of a marine instrument cover showing my new design;

[51] **LOC (6) Cl.** **12-16**

FIG. 2 is a top plan view thereof;

[52] **U.S. Cl.** **D12/192; D14/257**

FIG. 3 is a front elevational view thereof;

[58] **Field of Search** D12/192, 300,
D12/317; 114/343, 361, 364, 270; D14/157,
257, 258, 124, 299

FIG. 4 is a right side elevational view thereof, the left side elevational view being a mirror image;

FIG. 5 is a rear elevational view thereof;

[56] **References Cited**

U.S. PATENT DOCUMENTS

FIG. 6 is a bottom plan view thereof; and,

FIG. 7 is a perspective view analogous to FIG. 1, but with the cover opened.

D. 248,247 6/1978 Shotz et al. D12/317 X

1 Claim, 4 Drawing Sheets

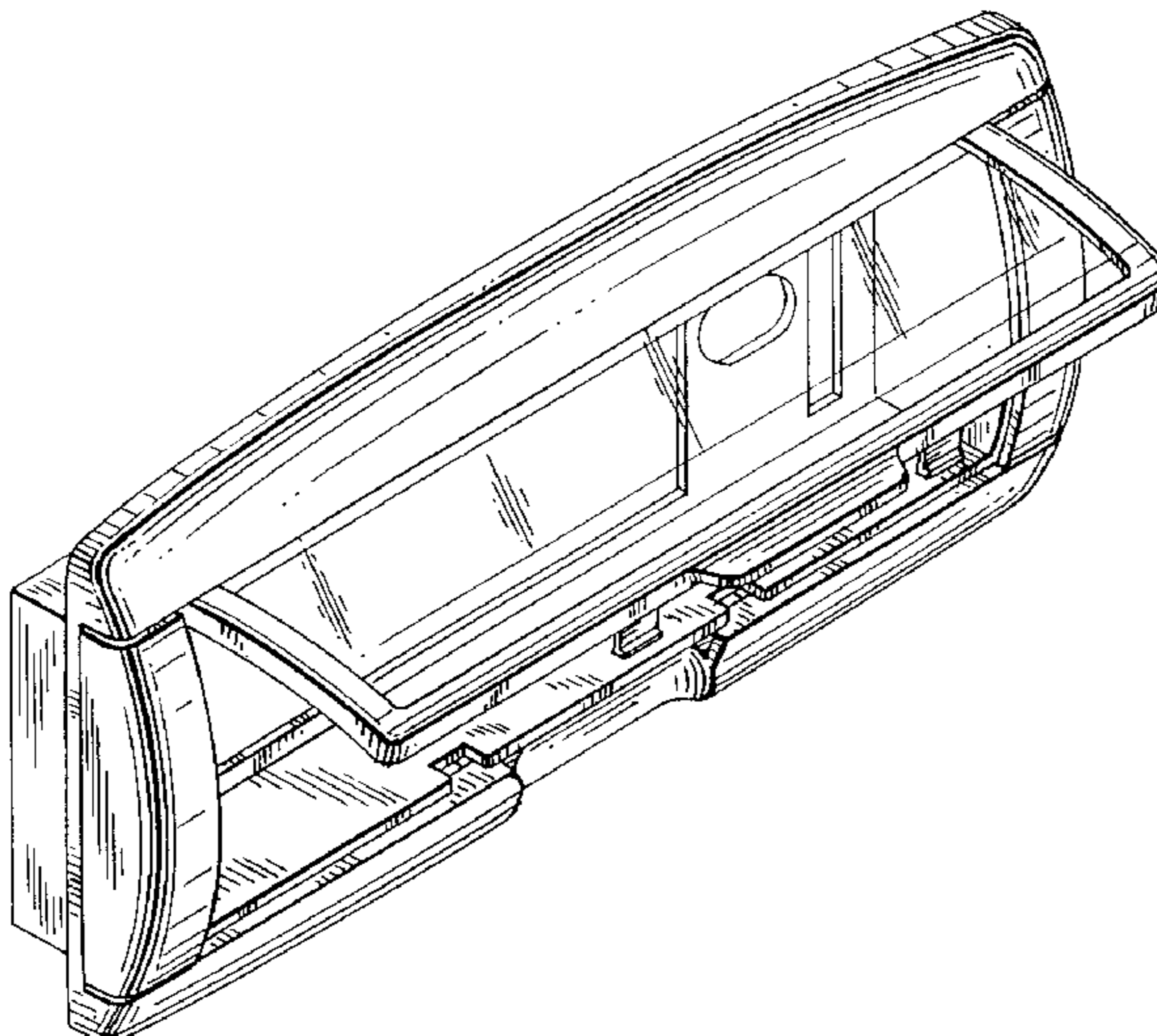
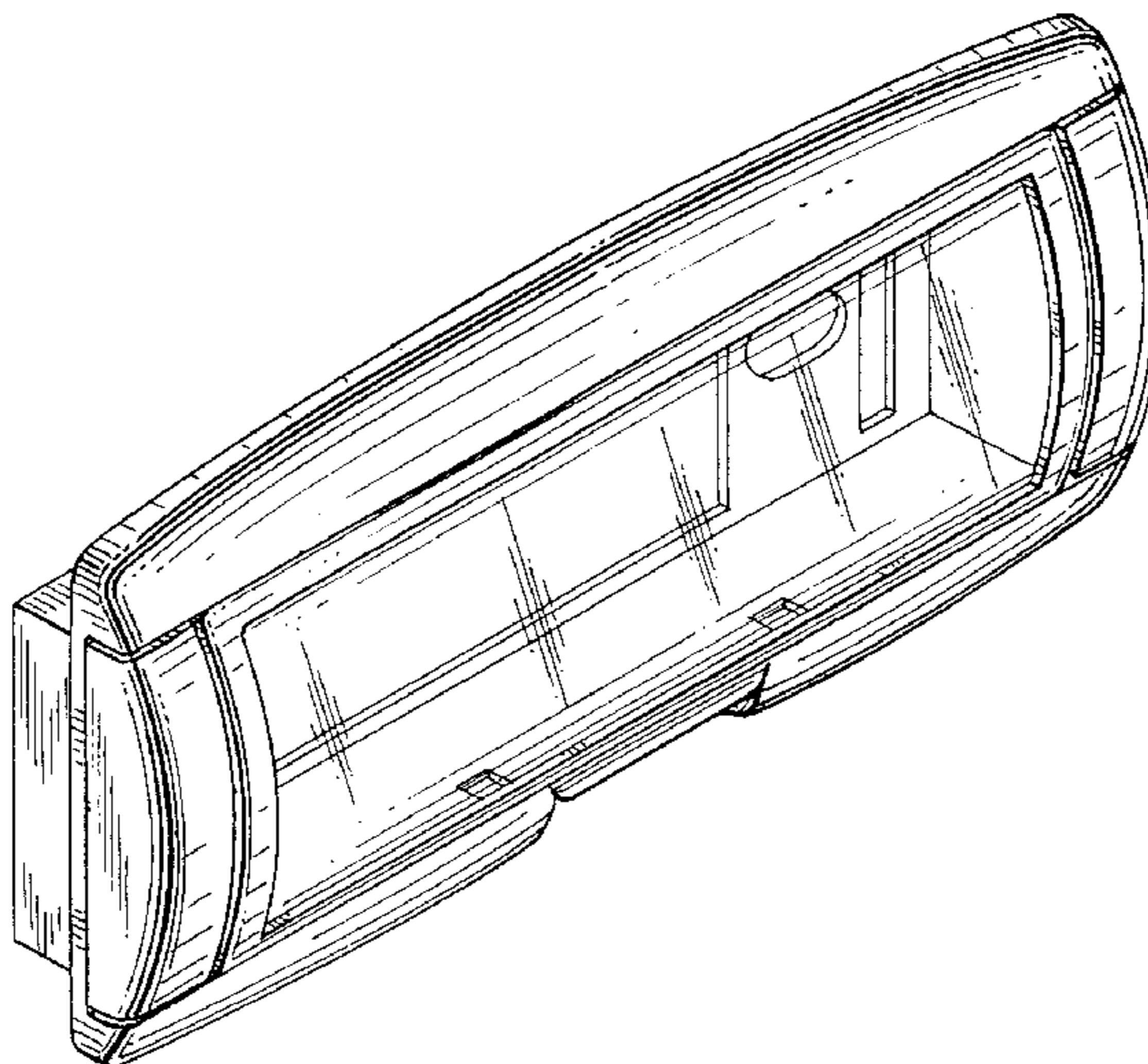


FIG. 1

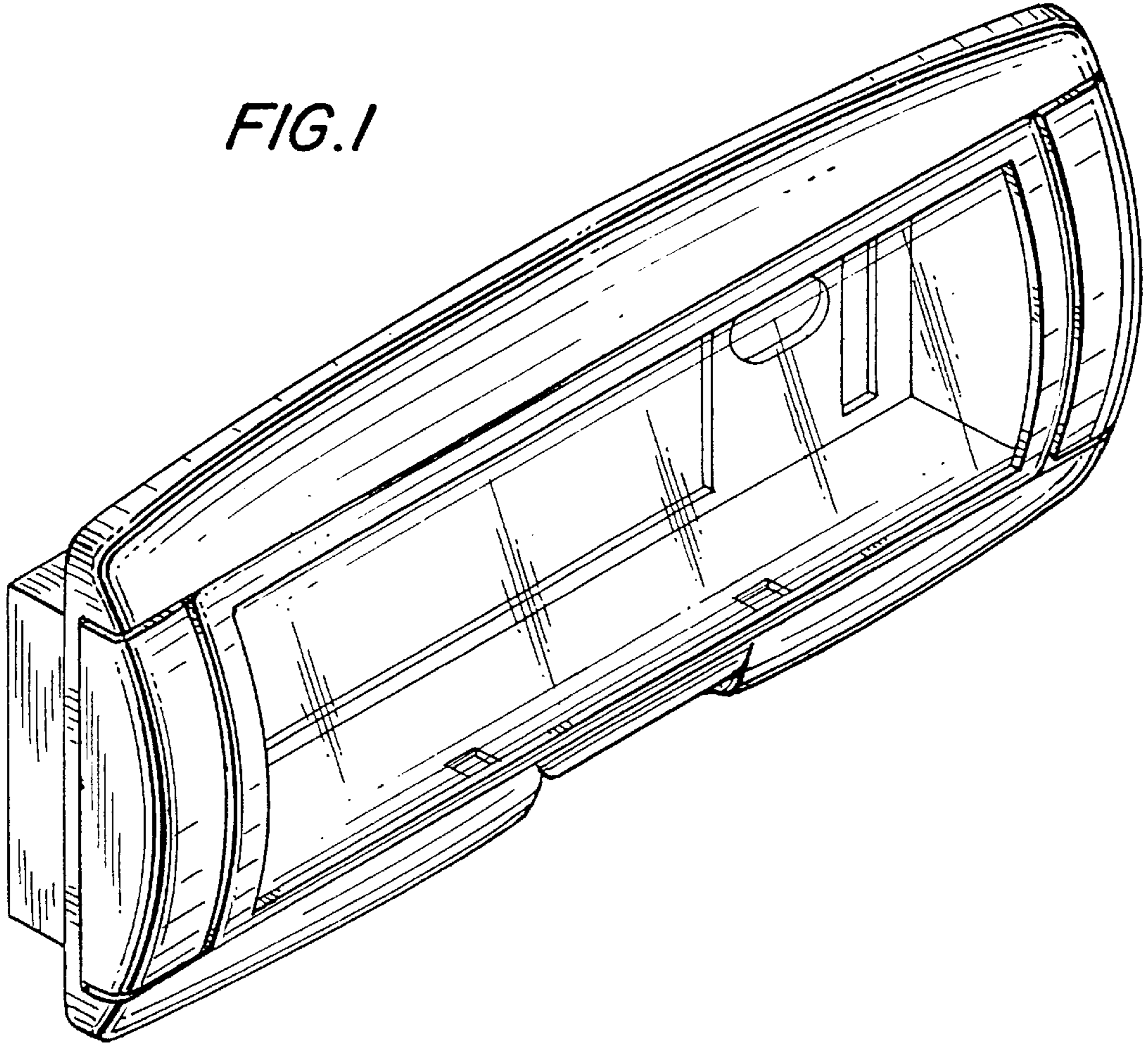


FIG. 2

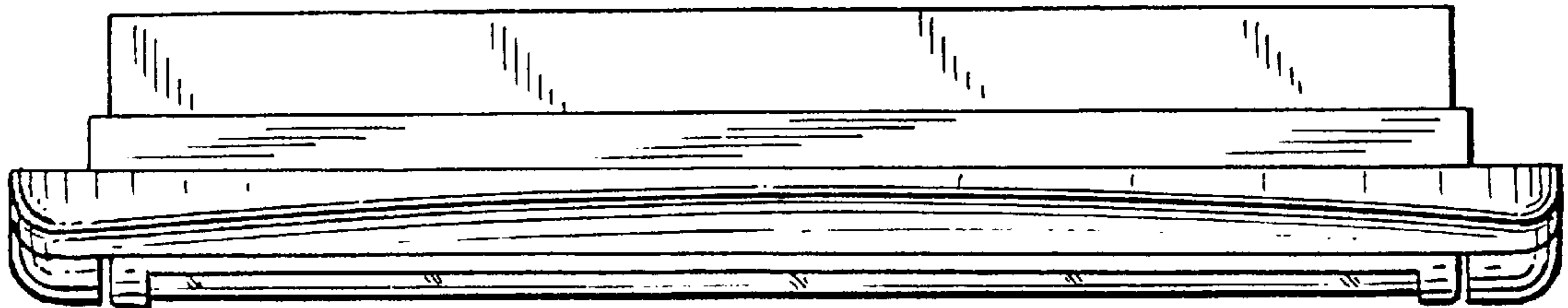


FIG. 3

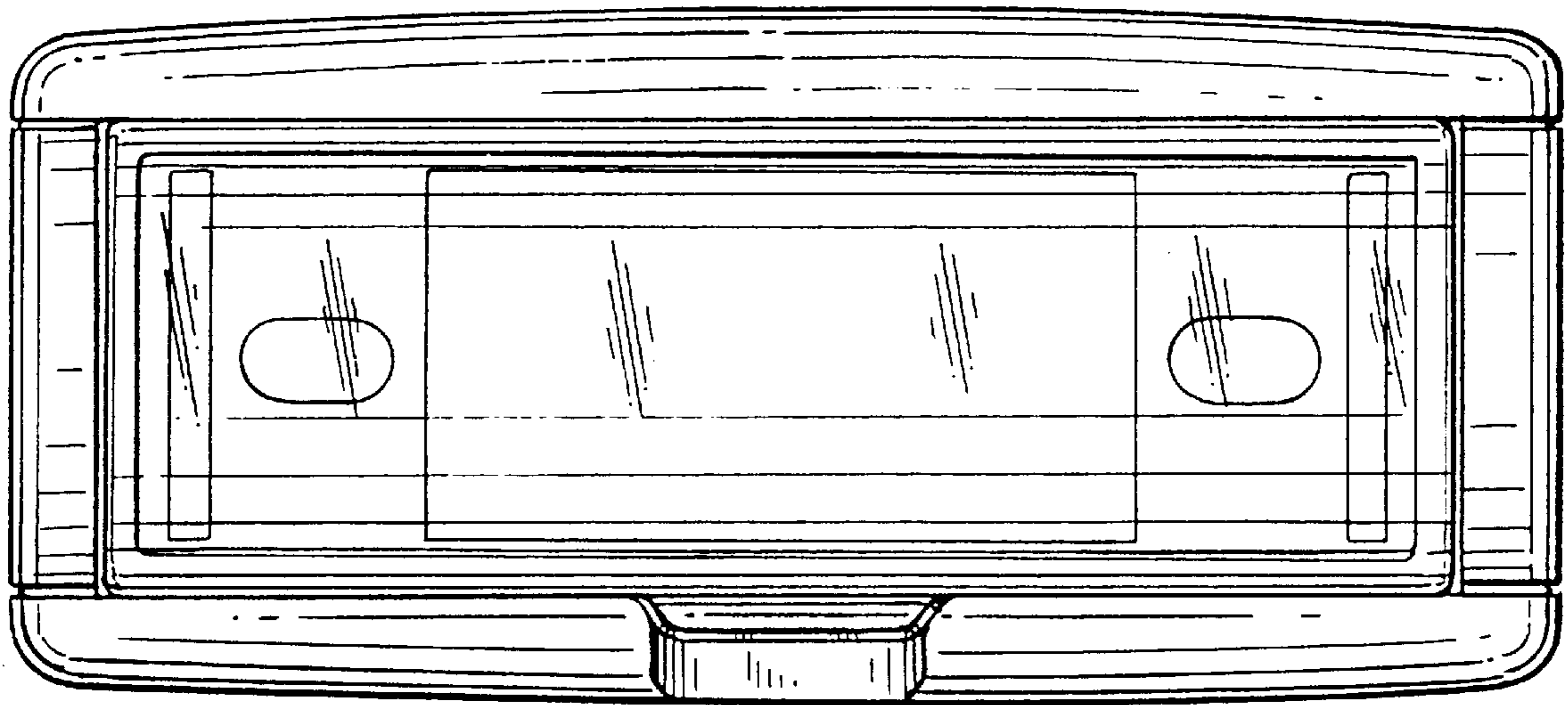


FIG. 4

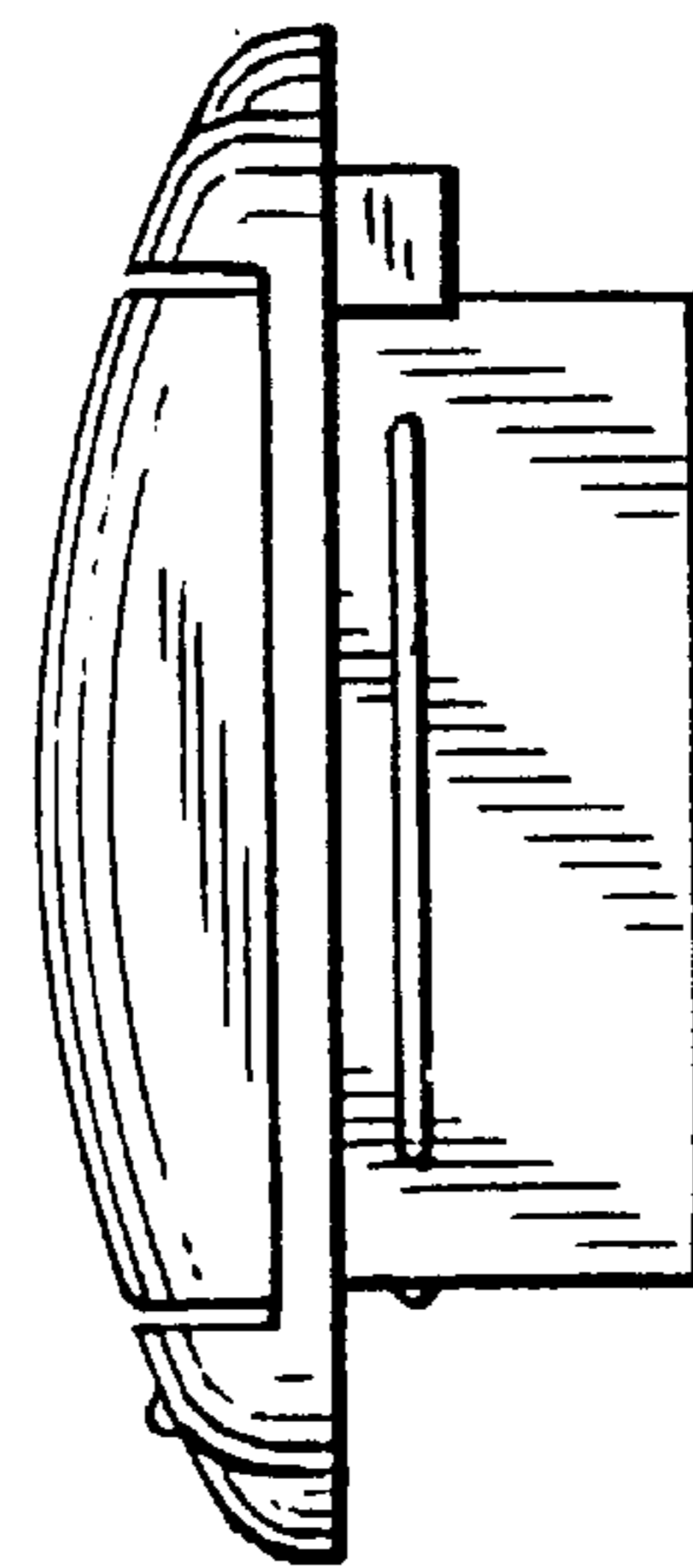


FIG. 5

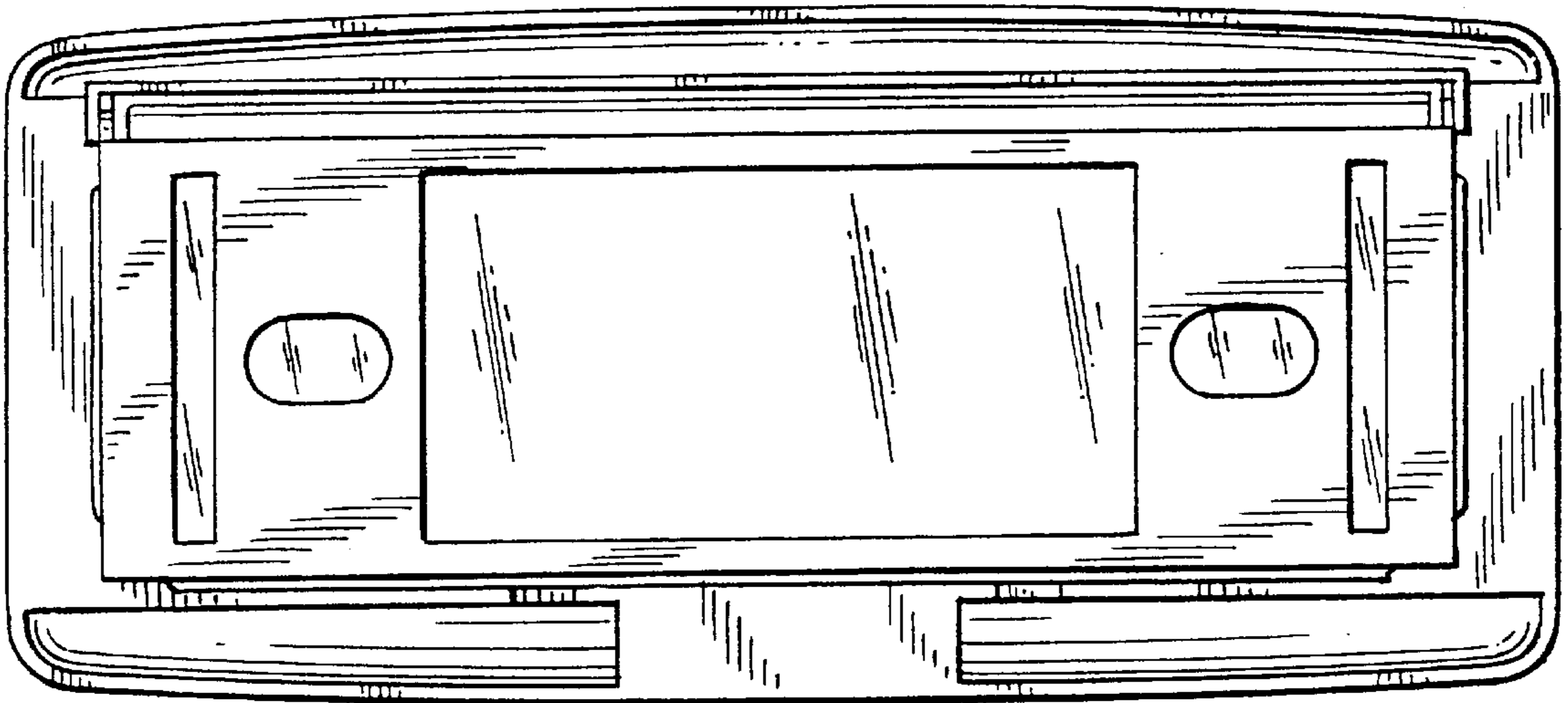
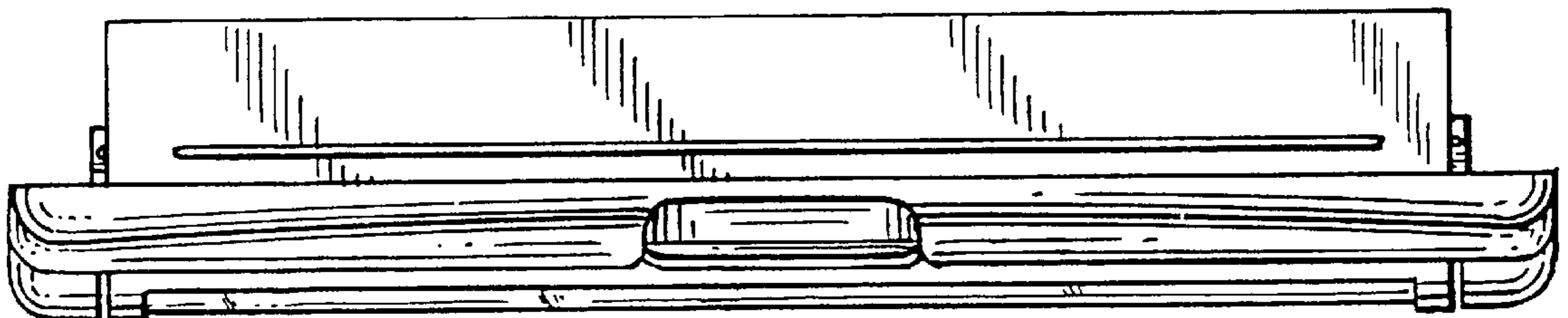


FIG. 6



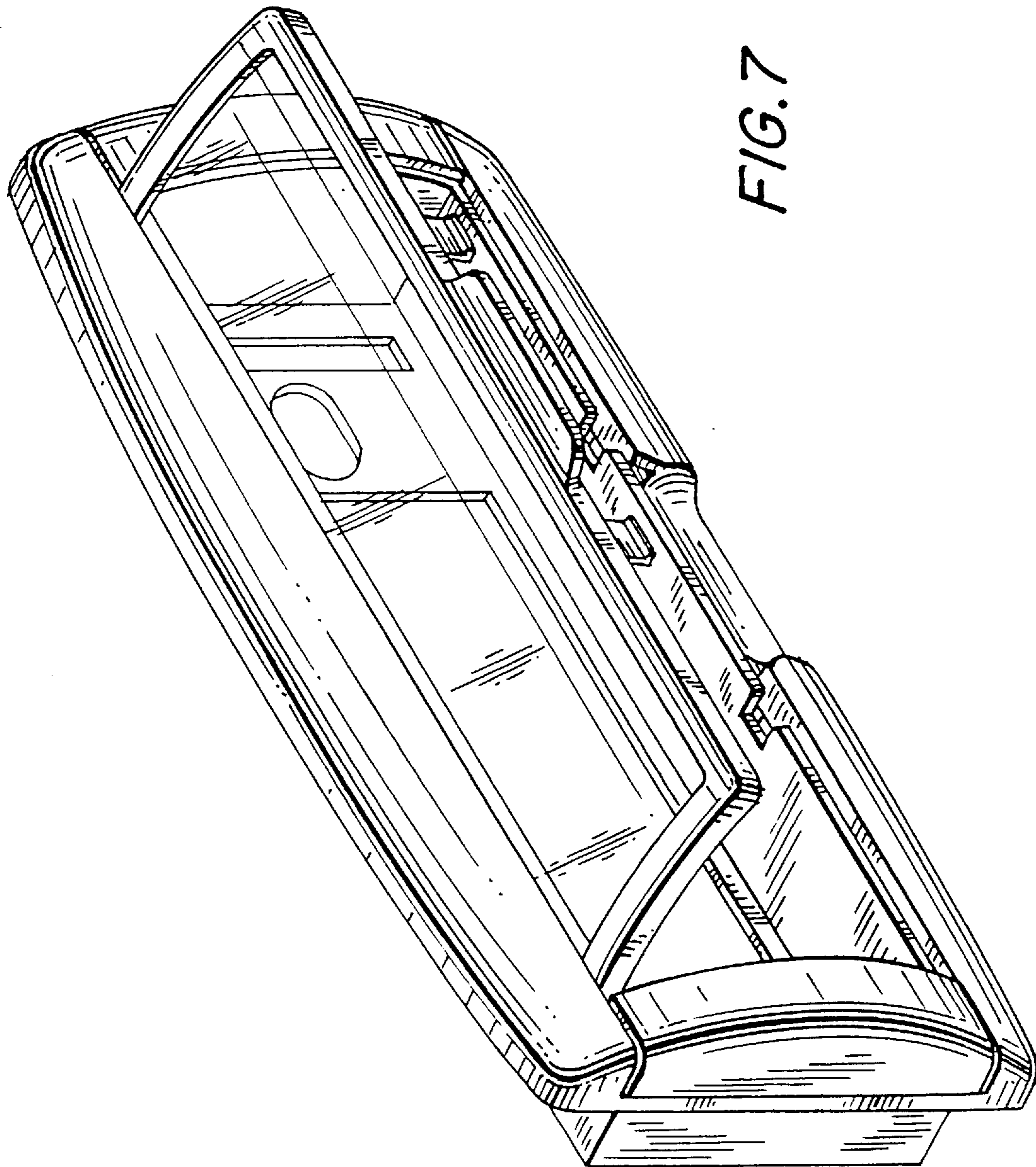


FIG. 7