



US00D405015S

United States Patent [19] Kotyuk

[11] **Patent Number: Des. 405,015**

[45] **Date of Patent: **Feb. 2, 1999**

[54] **COMBINED FRAGRANCE BOTTLE AND CAP**

[75] Inventor: **Bernard Kotyuk**, Westbrookville, N.Y.

[73] Assignee: **Amway Corporation**, Ada, Mich.

[**] Term: **14 Years**

[21] Appl. No.: **66,246**

[22] Filed: **Feb. 4, 1997**

[51] **LOC (6) Cl. 09-01**

[52] **U.S. Cl. D9/573; D9/544; D9/569**

[58] **Field of Search D9/544, 569, 562, D9/571, 572, 573, 574, 454, 300; 215/382, 383, 384, 400; D28/91.1**

[56] **References Cited**

U.S. PATENT DOCUMENTS

D. 66,071	11/1924	Cohn	D9/562 X
D. 74,469	2/1928	Babani	D9/544
D. 88,325	11/1932	Tourtois	D9/569
D. 97,855	10/1935	Leach	.	
D. 99,064	3/1936	Bicks	D9/562
D. 99,634	5/1936	Wick	D9/569
D. 146,351	2/1947	Dunnock	.	
D. 199,273	9/1964	DuPree	.	
D. 277,543	2/1985	Mansau	.	
D. 292,265	10/1987	Schmidt	.	
D. 292,273	10/1987	Schmidt	D9/562 X
D. 306,560	3/1990	Durand	.	
D. 310,632	9/1990	Hutton	.	

FOREIGN PATENT DOCUMENTS

114	2/1991	Austria	.
10828	1/1994	Austria	.
48138	4/1981	Canada	.
57113	9/1986	Canada	.
125414	3/1971	France	.
236655	5/1987	France	.
260707	6/1989	France	.
M8902720	8/1989	Germany	.
M8904003	9/1989	Germany	.
1055626	12/1968	United Kingdom	.

1030749	5/1985	United Kingdom	.
2021598	10/1991	United Kingdom	.
DM011294	7/1988	WIPO	.
DM012263	11/1988	WIPO	.
DM017749	10/1990	WIPO	.
DM023756	10/1991	WIPO	.
DM022788	5/1992	WIPO	.
DM023228	7/1992	WIPO	.
DM027029	8/1993	WIPO	.
DM034306	10/1995	WIPO	.

OTHER PUBLICATIONS

Hermes Equirage design (Beauty Fashion Sep. 1980, p. 46).
 U.S. Trademark 1,498,223 (Registered Aug. 2, 1988).
 French Trademark No. 94,521,630 (Registered May 25, 1994).
 French Trademark No. 1,207,980 (Date of Publication Nov. 26, 1982).
 French Trademark No. 1,530,825 (Registered May 4, 1988).
 French Trademark No. 1,544,809 (Registered Aug. 4, 1989).
 French Trademark 94,528,495 (Registered Jul. 11, 1994).
 French Trademark 496,080 (Date of Publication Sep. 13, 1985).
 French Trademark 506,039 (Date of Publication Sep. 25, 1986).
 Indonesian Copyright 15007 (Jul. 28, 1995).
 Italian Trademark 306,162 (Registered Oct. 3, 1977).
 International Trademark 433,751 (Registered Oct. 3, 1977).
 International Trademark 613,393 (Registered Feb. 4, 1994).
 International Trademark 647,123 (Registered Nov. 10, 1995).
 Italian Trademark 480,804 (Registered Jun. 1, 1987).
 International Trademark 450,944 (Registered Jan. 20, 1980).
 International Trademark 461,122 (Registered Jun. 2, 1981).
 International Trademark 647,695 (Registered Nov. 22, 1995).

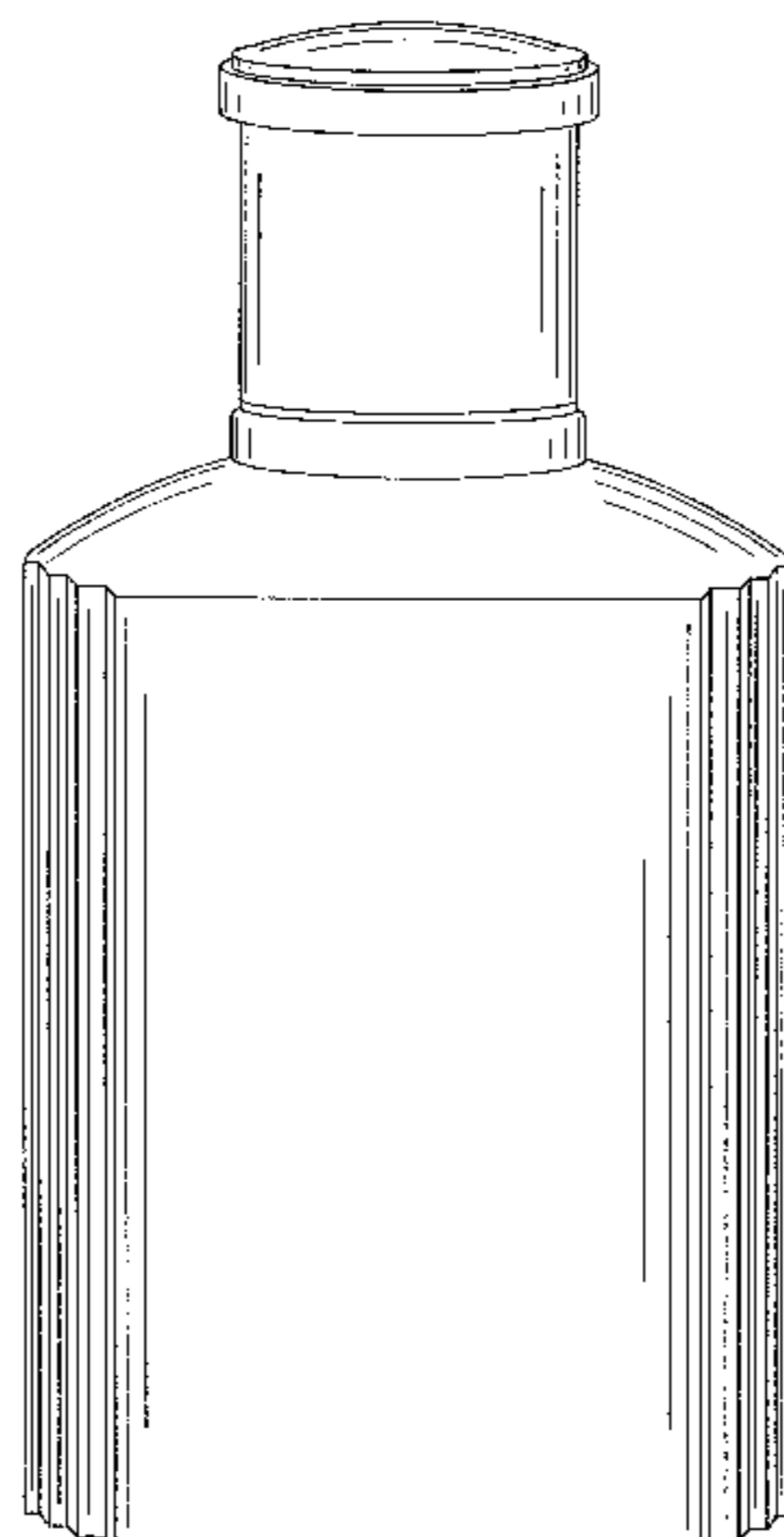
Primary Examiner—Lucy Lieberman
Attorney, Agent, or Firm—Warner Norcross & Judd

[57] **CLAIM**

The ornamental design for a combined fragrance bottle and cap, as shown and described.

DESCRIPTION

FIG. 1 is a perspective view showing a combined fragrance



Des. 405,015

Page 2

bottle and cap embodying the new design;
FIG. 2 is a front elevational view thereof;
FIG. 3 is a rear elevational view thereof;
FIG. 4 is a right side elevation thereof;
FIG. 5 is a left side elevation thereof;

FIG. 6 is a top plan view thereof; and,
FIG. 7 is a bottom plan view thereof.

1 Claim, 6 Drawing Sheets

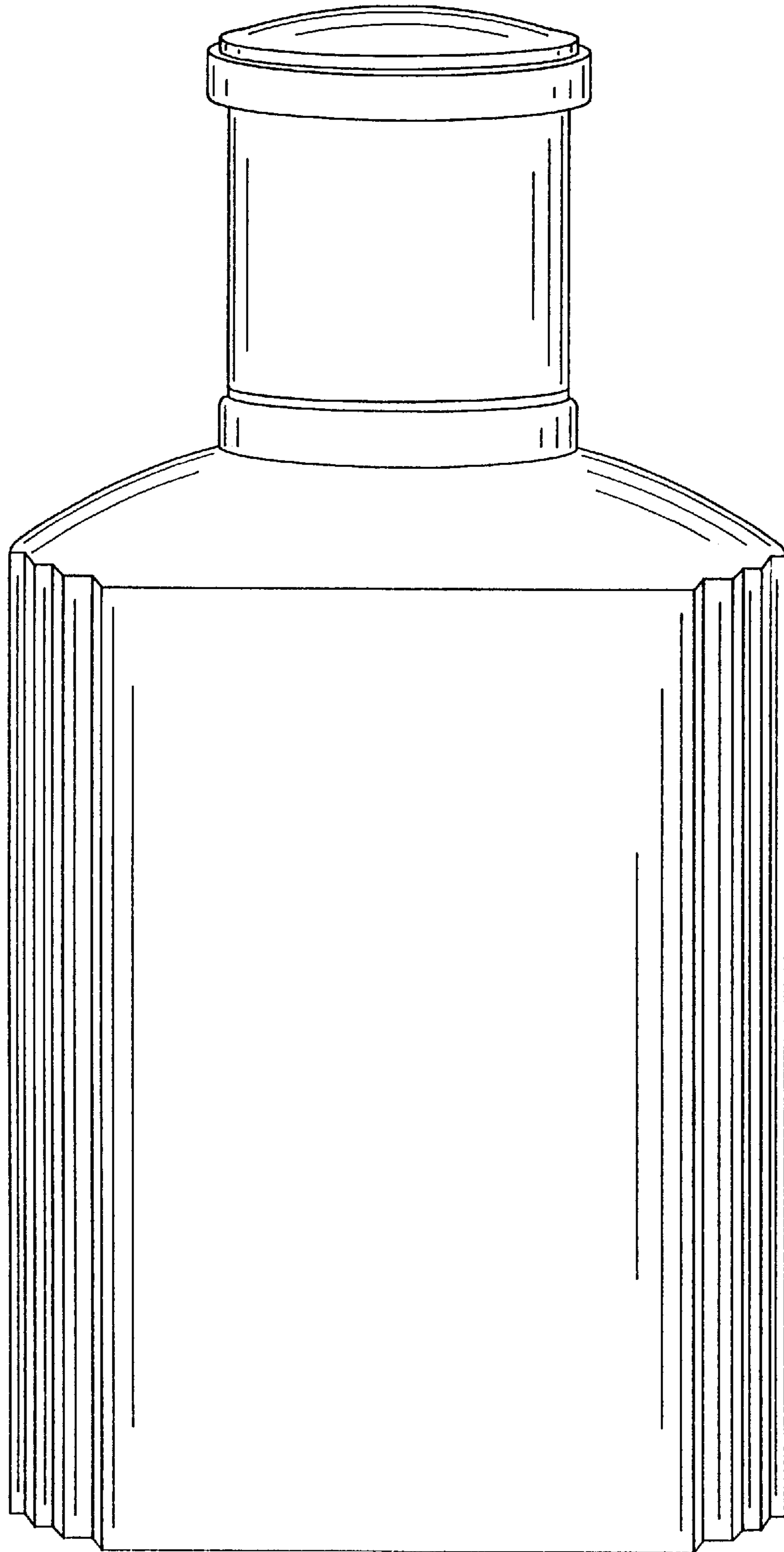


FIG. 1

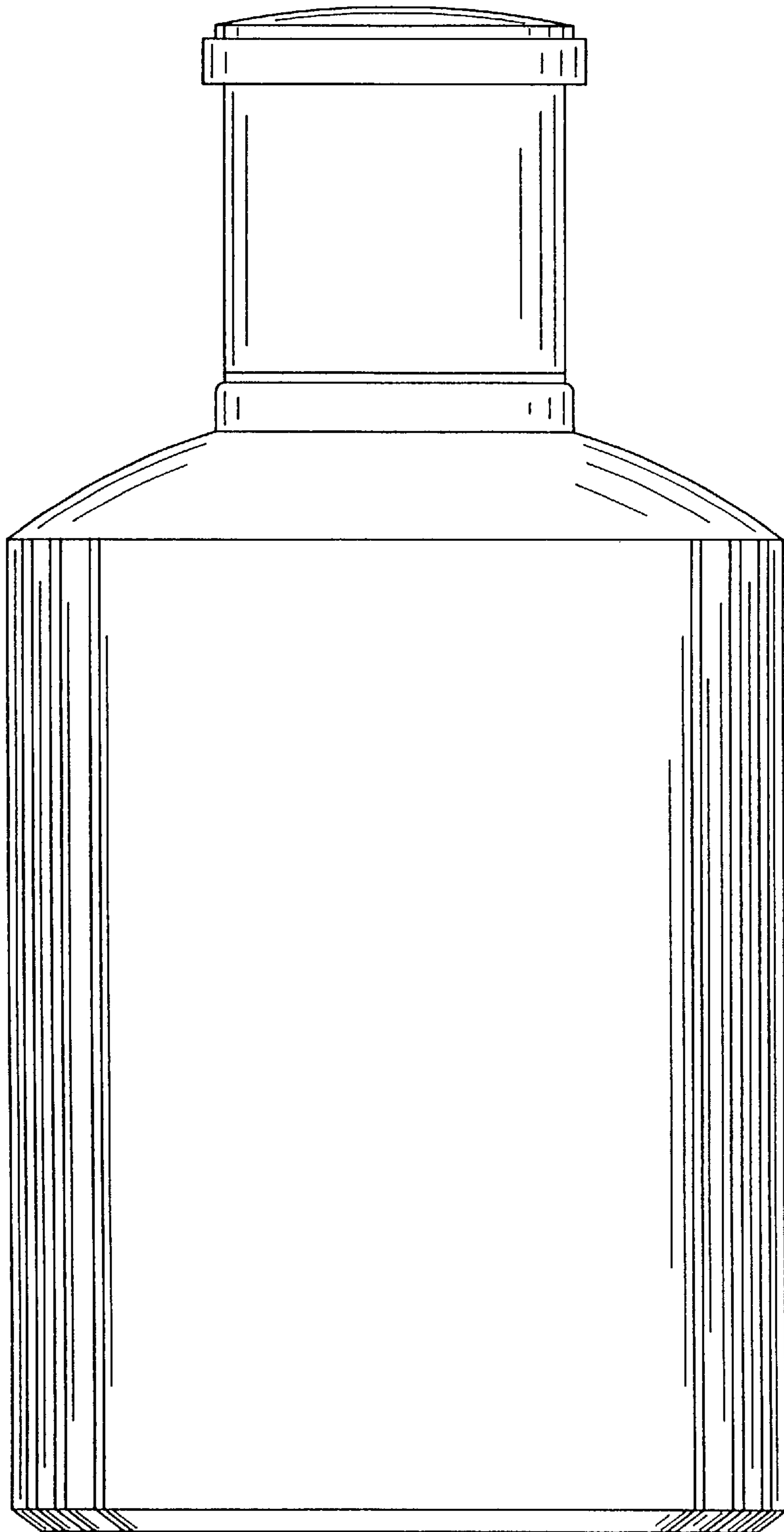


FIG. 2

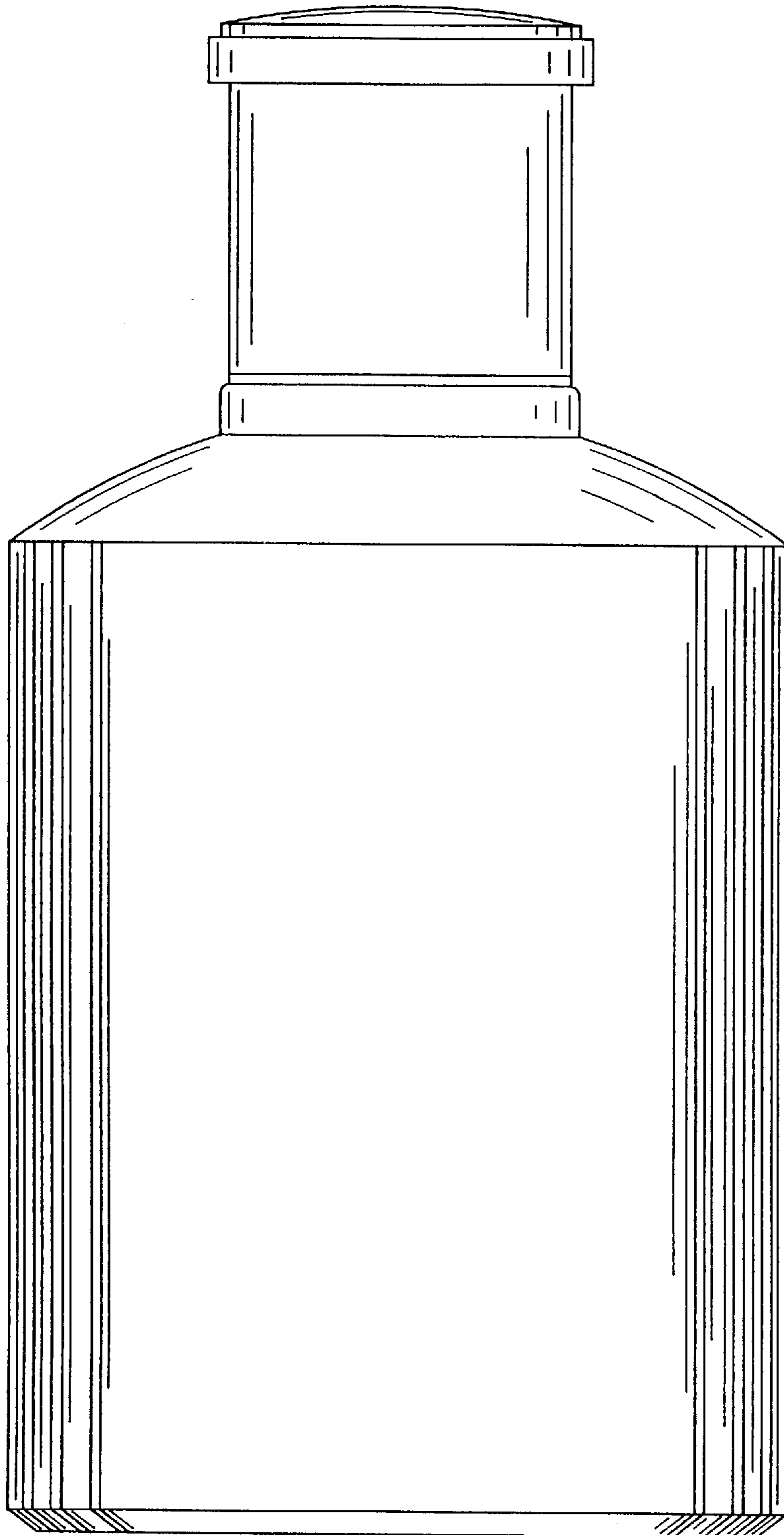


FIG. 3

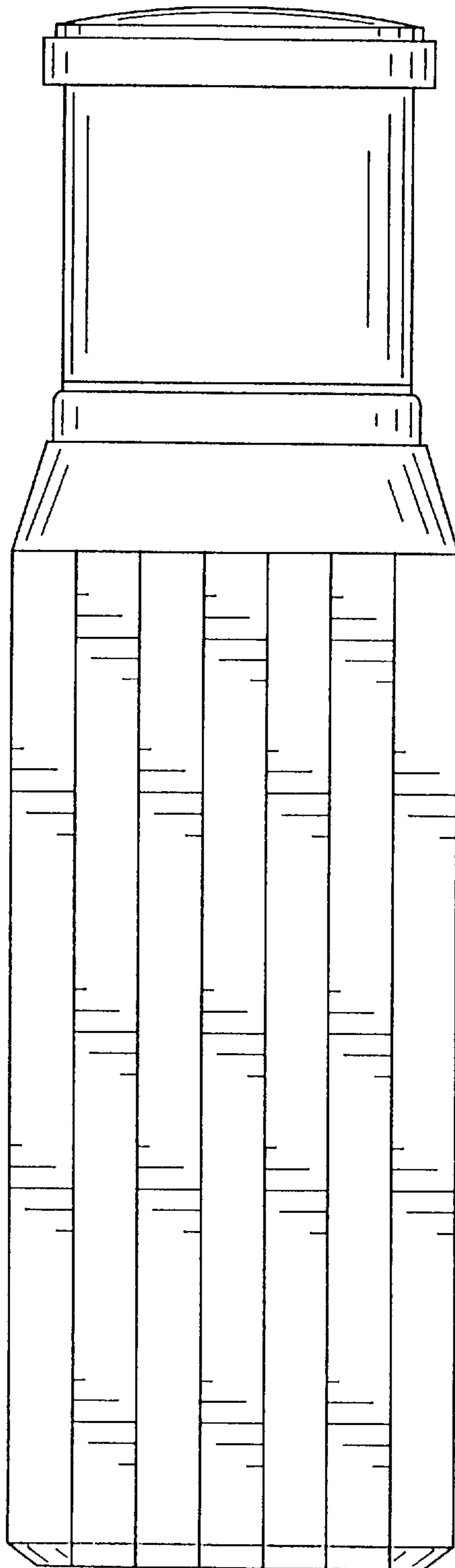


FIG. 4

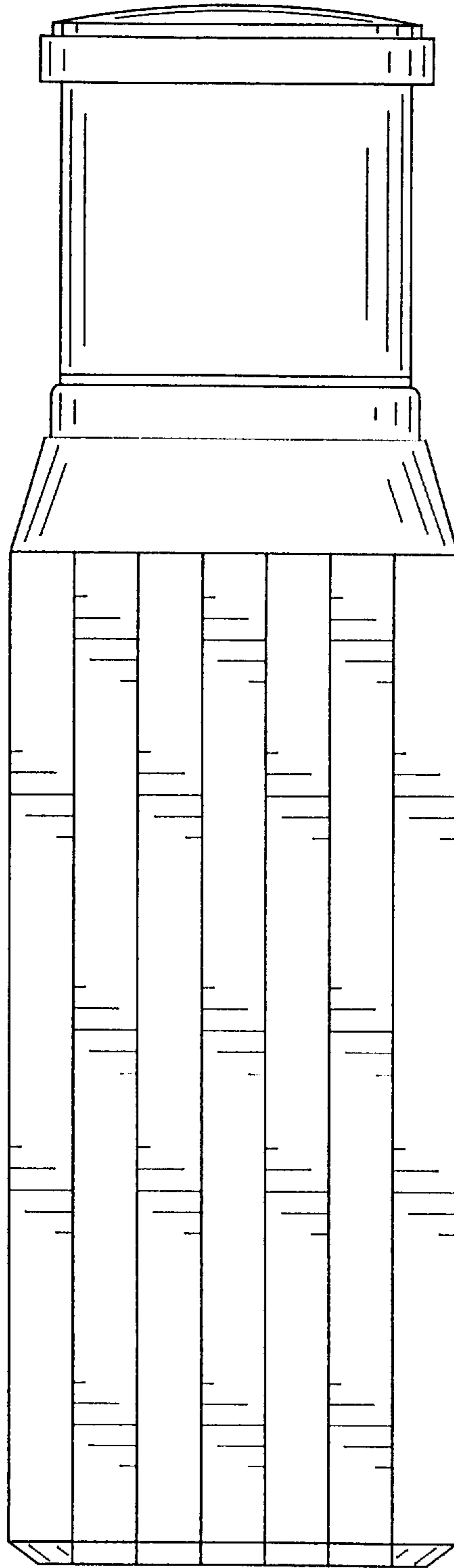


FIG. 5

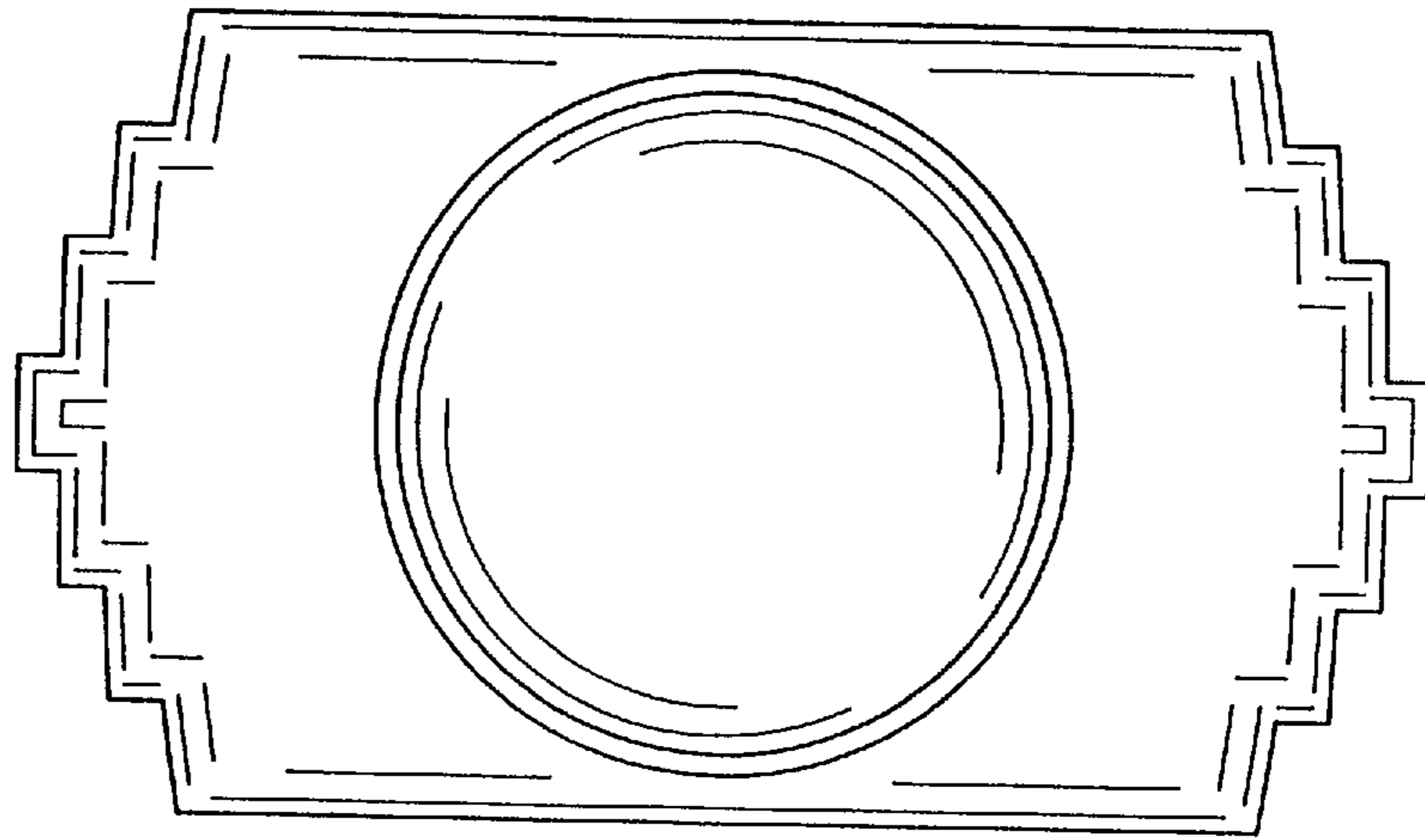


FIG. 6

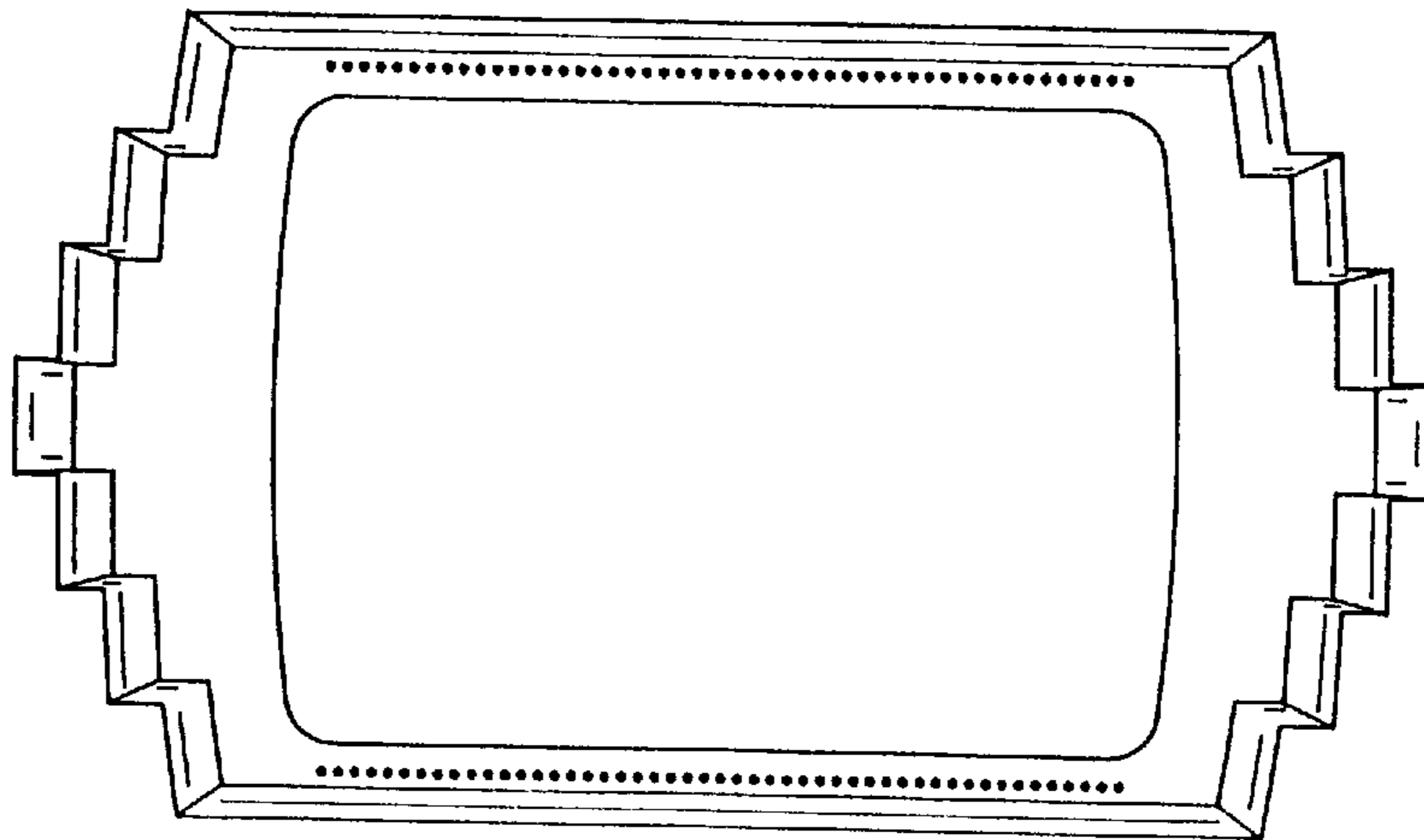


FIG. 7