



US00D405007S

# United States Patent [19]

Naas, Sr.

[11] **Patent Number:** **Des. 405,007**

[45] **Date of Patent:** **\*\*Feb. 2, 1999**

[54] **TWO COMPONENT BOX FOR HOLDING ARTICLES**

[76] Inventor: **Douglas A. Naas, Sr.**, 4864 Marseilles, Detroit, Mich. 48224

[\*\*] Term: **14 Years**

[21] Appl. No.: **76,972**

[22] Filed: **Sep. 19, 1997**

[51] **LOC (6) Cl.** ..... **09-03**

[52] **U.S. Cl.** ..... **D9/347; D27/189; D9/432**

[58] **Field of Search** ..... D9/337, 414, 423, D9/424, 432, 433; D27/183-191; 206/265, 267-268, 270, 273; 229/160.1, 160.2, 125.19, 909

[56] **References Cited**

**U.S. PATENT DOCUMENTS**

D. 249,870	10/1978	Tillander	.....	D27/188	X
D. 342,205	12/1993	Ritz	.....	D9/432	
D. 355,275	2/1995	Focke	.....	D27/189	
3,391,780	7/1968	Pasquine et al.	.....	206/268	X
4,915,291	4/1990	Galber	.....	229/125	

**FOREIGN PATENT DOCUMENTS**

1441995	5/1966	France	.....	229/160.1	
431721	7/1935	United Kingdom	.....	206/267	
4029193	12/1994	WIPO	.....	206/268	

**OTHER PUBLICATIONS**

Photographs of flip box for holding cigarettes of Philip Morris, Inc., Richmond, VA 23261, on the market before Sep. 19, 1996.

*Primary Examiner*—Philip S. Hyder  
*Assistant Examiner*—Nanda Bondade  
*Attorney, Agent, or Firm*—Peter D. Keefe

[57] **CLAIM**

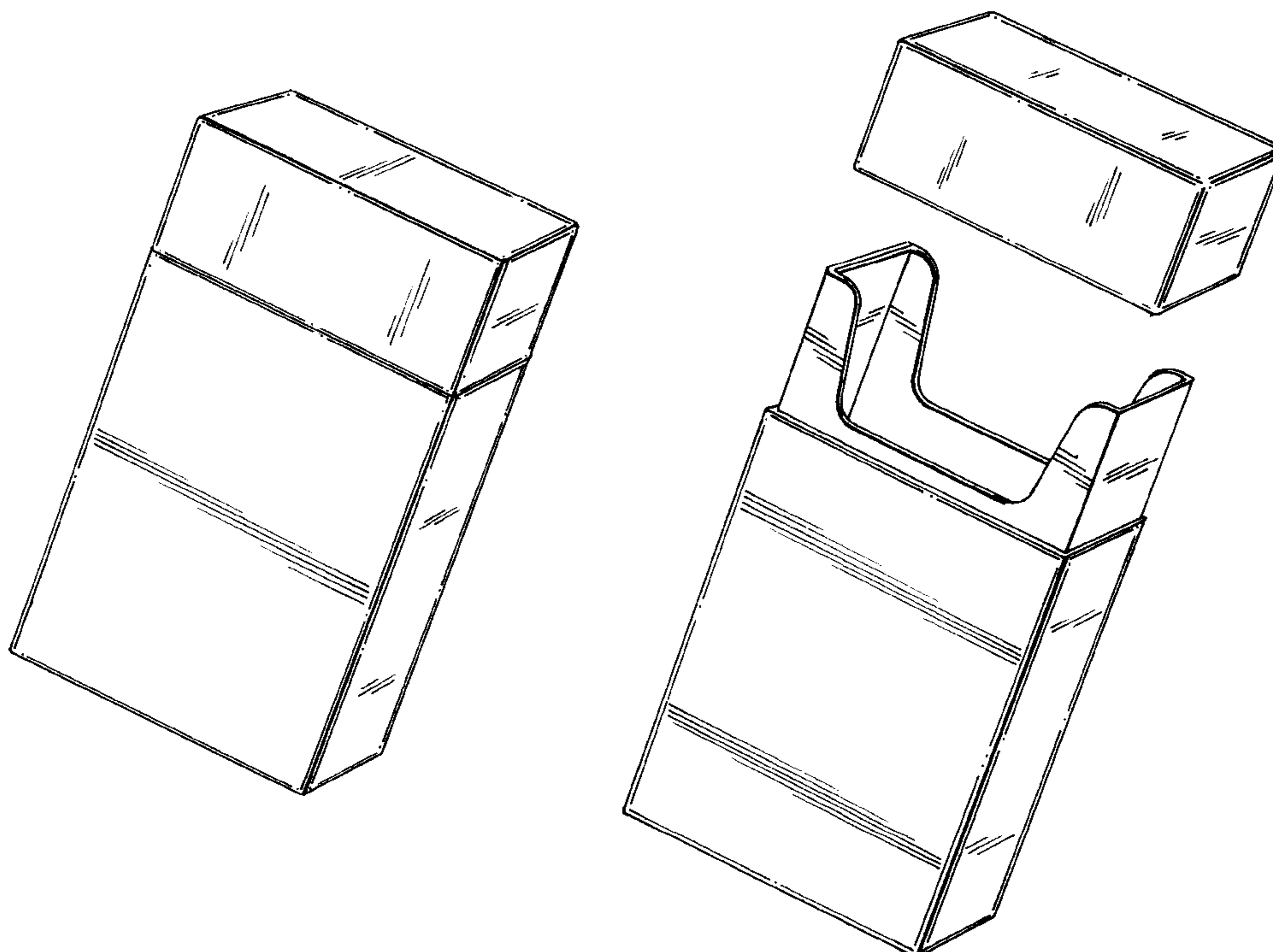
The ornamental design for a two component box for holding articles, as shown.

**DESCRIPTION**

FIG. 1 is a perspective view of my design for a two component box for holding articles showing my new design; FIG. 2 is a front elevational view of the design shown in FIG. 1, wherein a rear elevational view of the design is identical thereto; FIG. 3 is a bottom plan view of the design shown in FIG. 1, wherein a top plan view of the design is identical thereto; FIG. 4 is a right side elevational view of the design shown in FIG. 1, wherein a left side elevational view of the design is identical thereto; FIG. 5 is an exploded perspective view of the design shown in FIG. 1, showing an upper component and a lower component of the design thereof; FIG. 6 is a front elevational view of the lower component of the design, wherein a rear elevational view of the design is identical thereto; FIG. 7 is a top plan view of the lower component of the design; and, FIG. 8 is a right side elevational view of the lower component of the design, wherein a left side elevational view of the design is identical thereto.

The undisclosed inside views of the top compartment of the two compartment box for holding articles form no part of the claimed design.

**1 Claim, 2 Drawing Sheets**



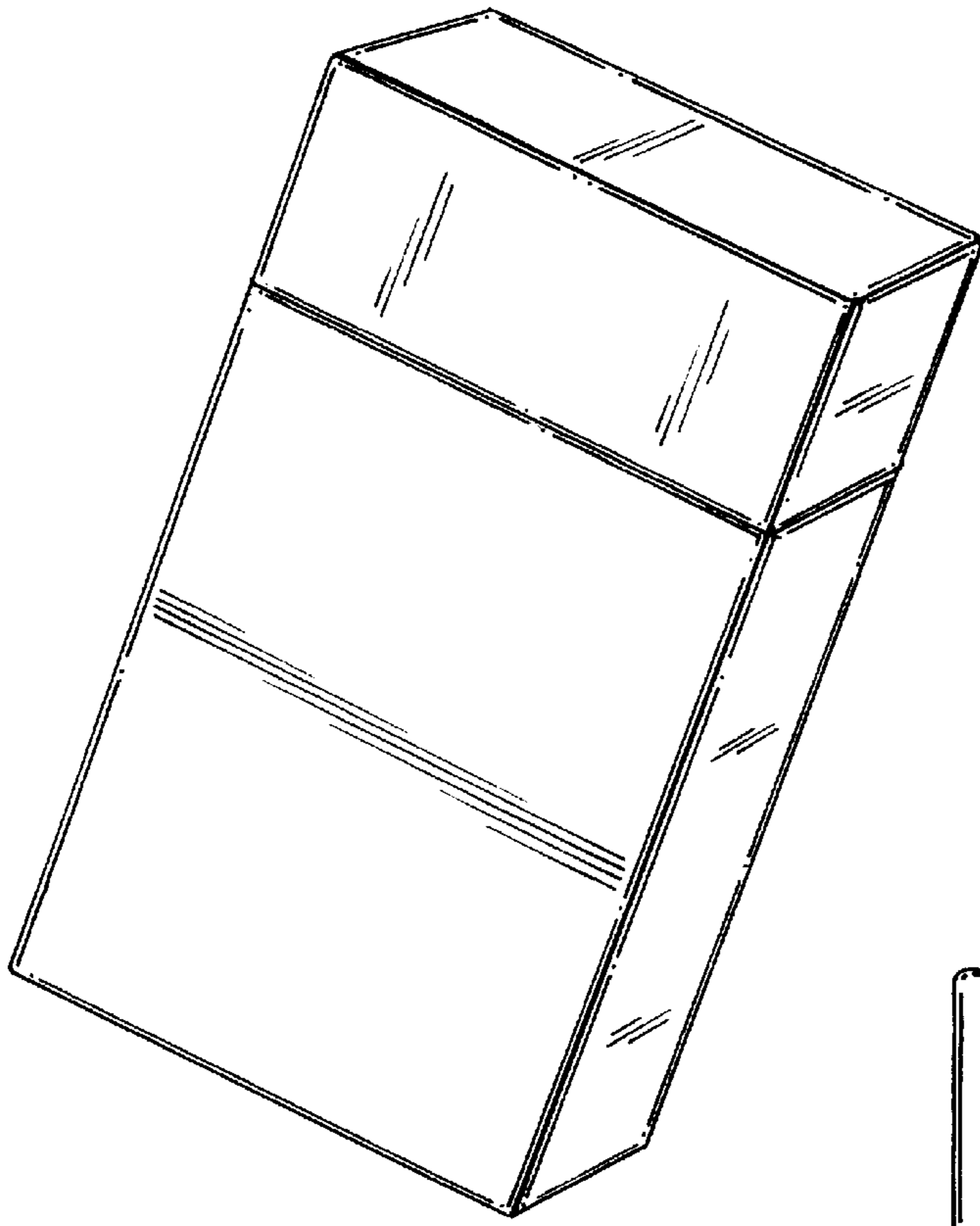


FIG. 1

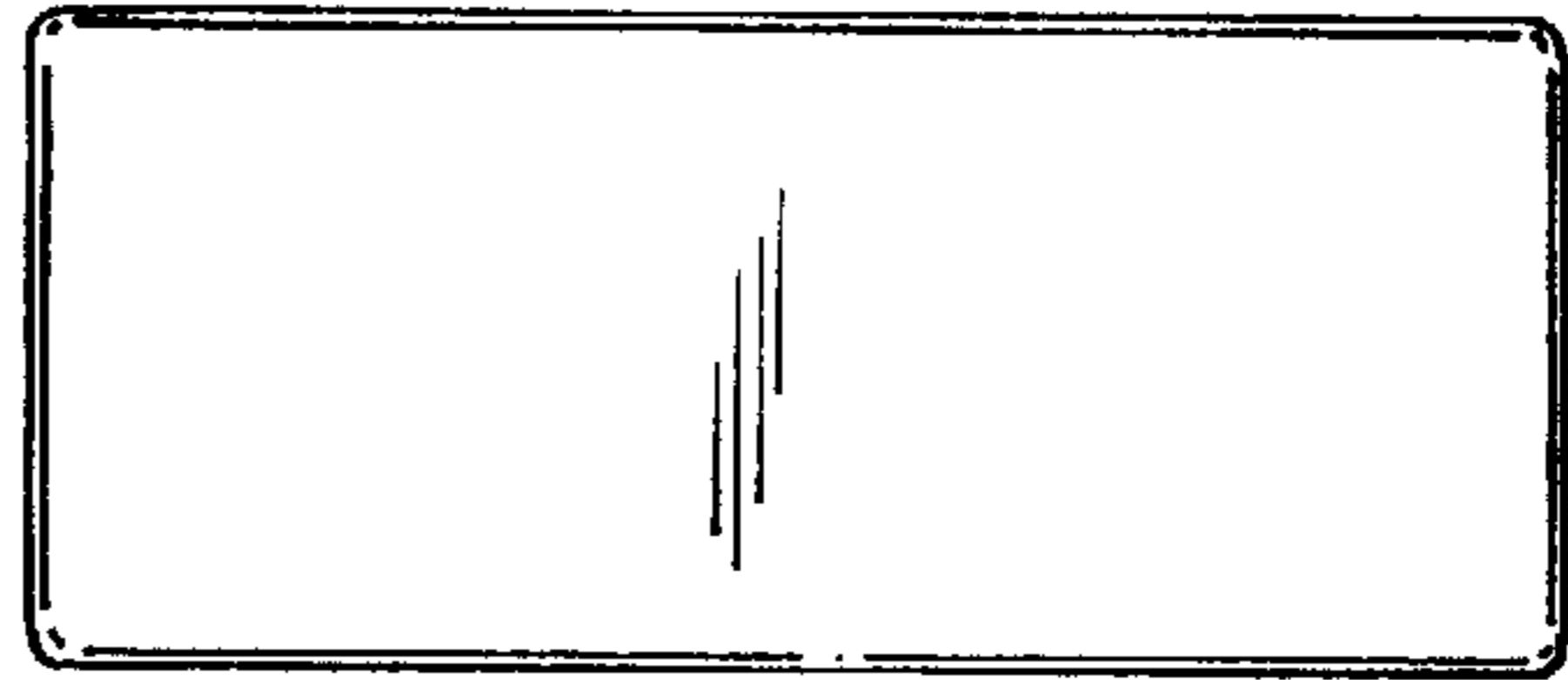


FIG. 3

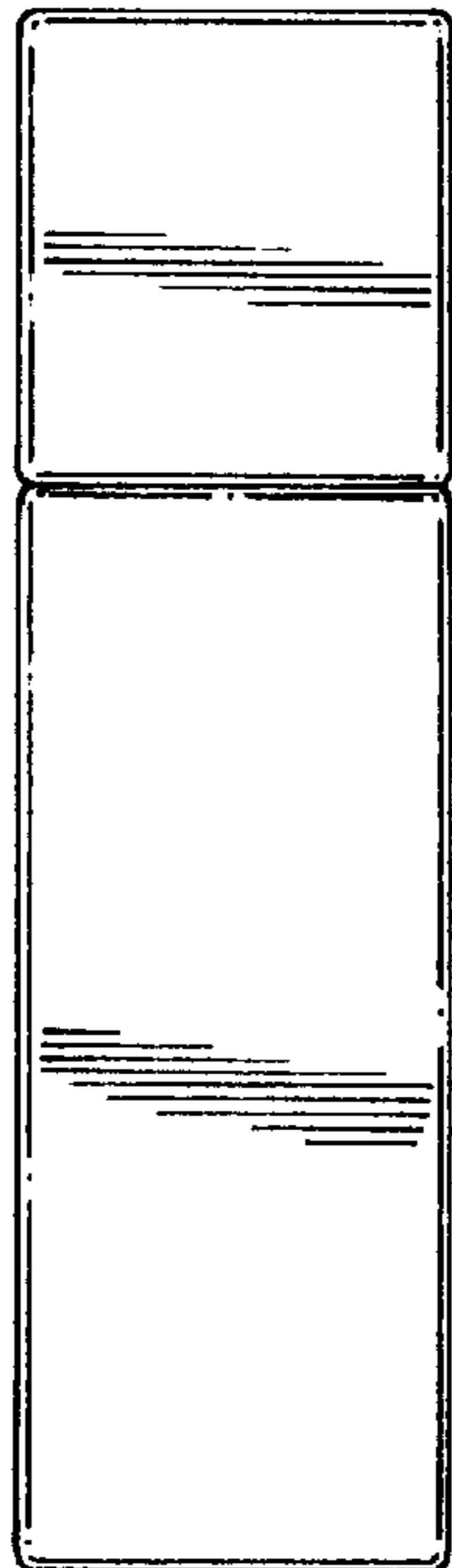


FIG. 4

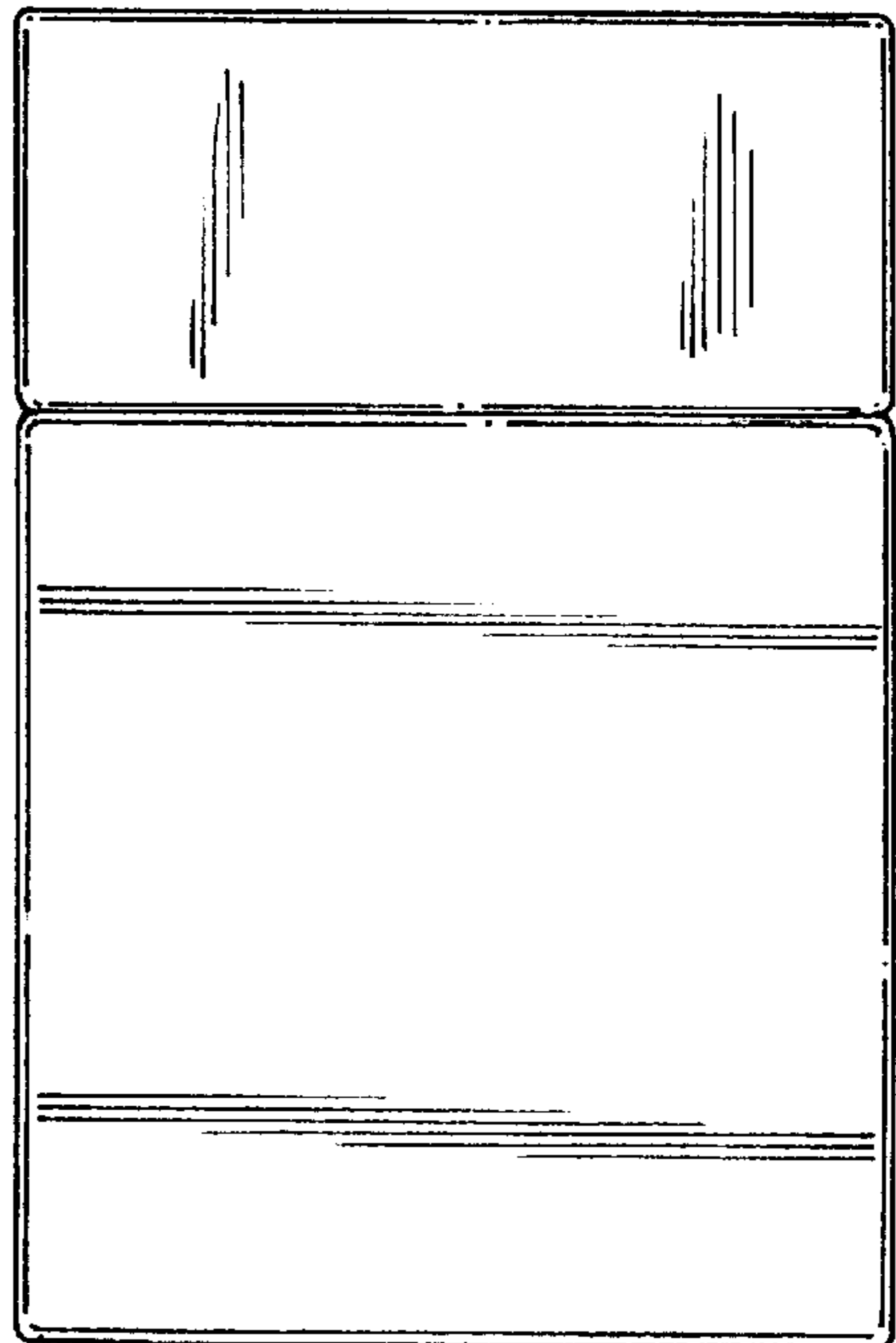


FIG. 2

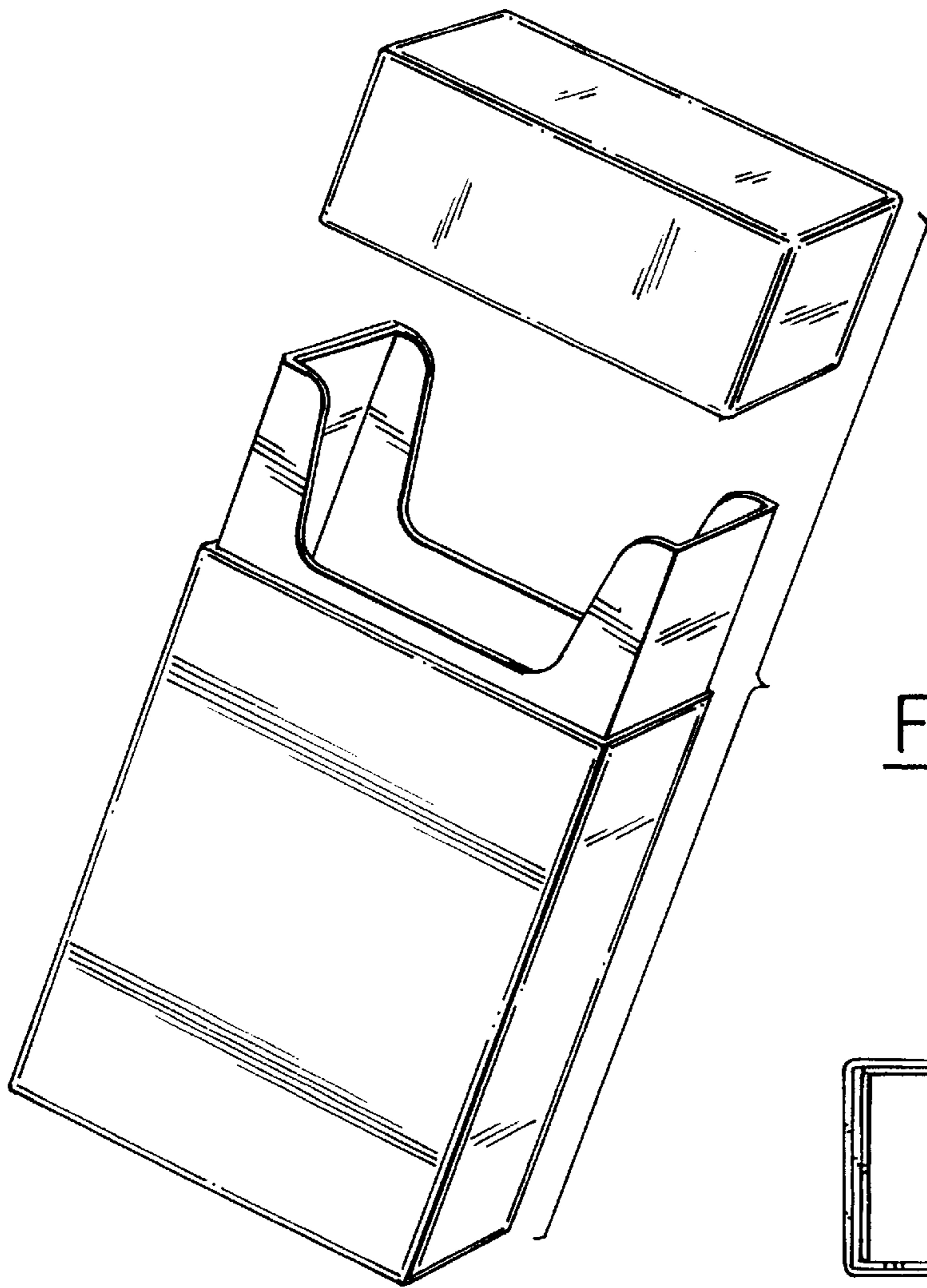


FIG. 5

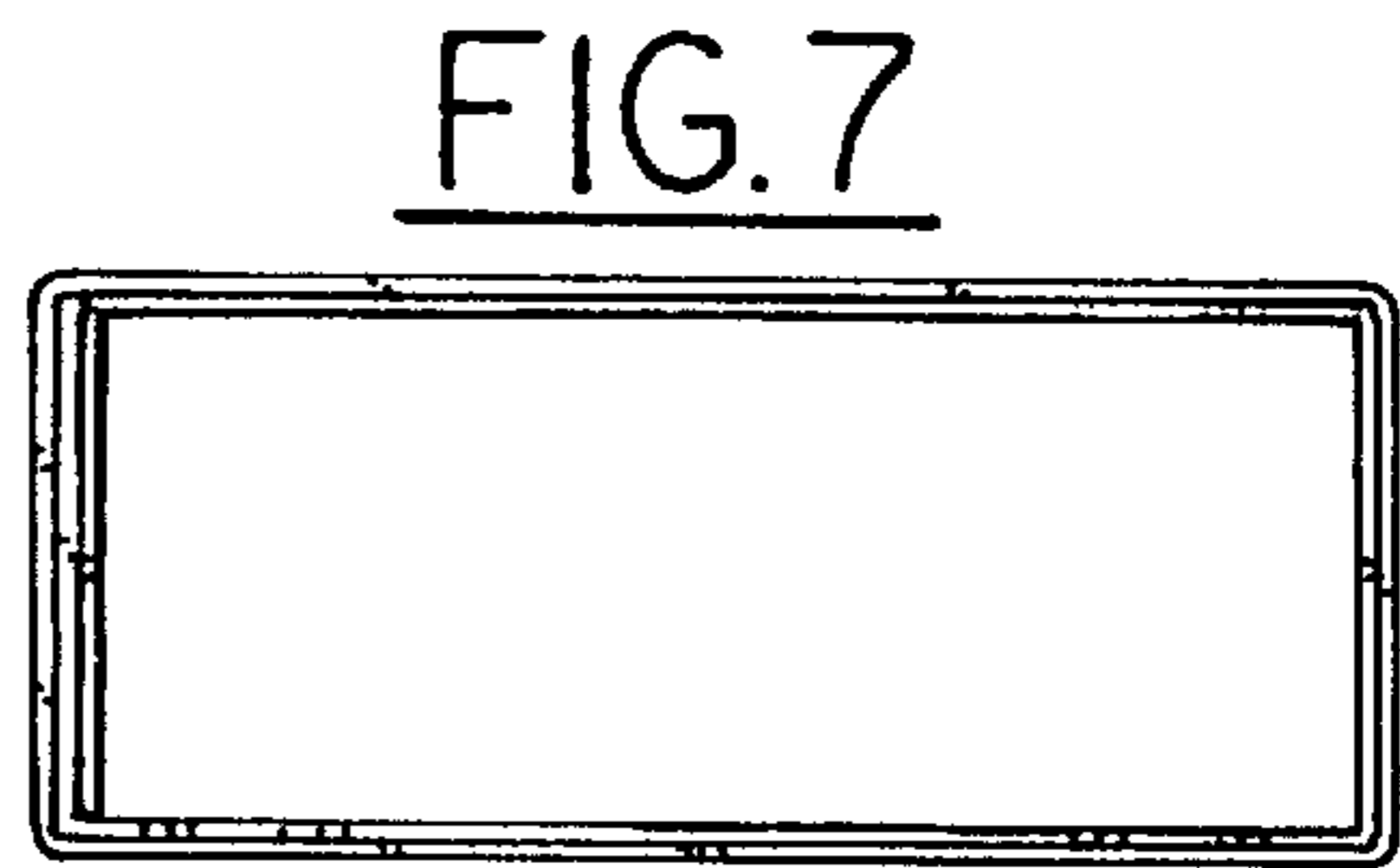


FIG. 7

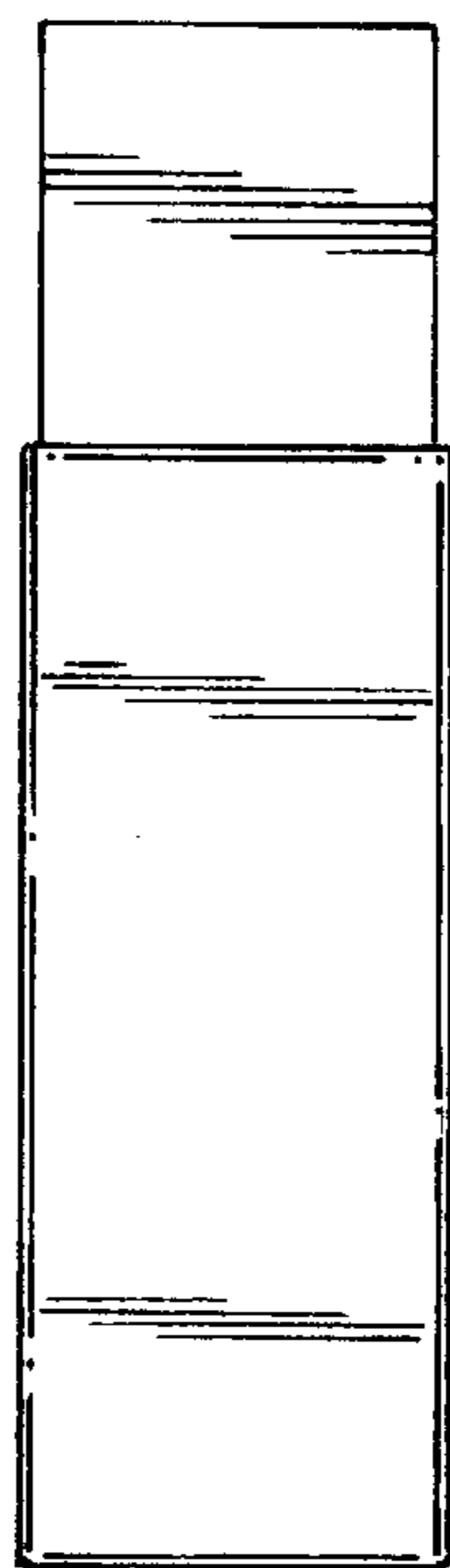


FIG. 8

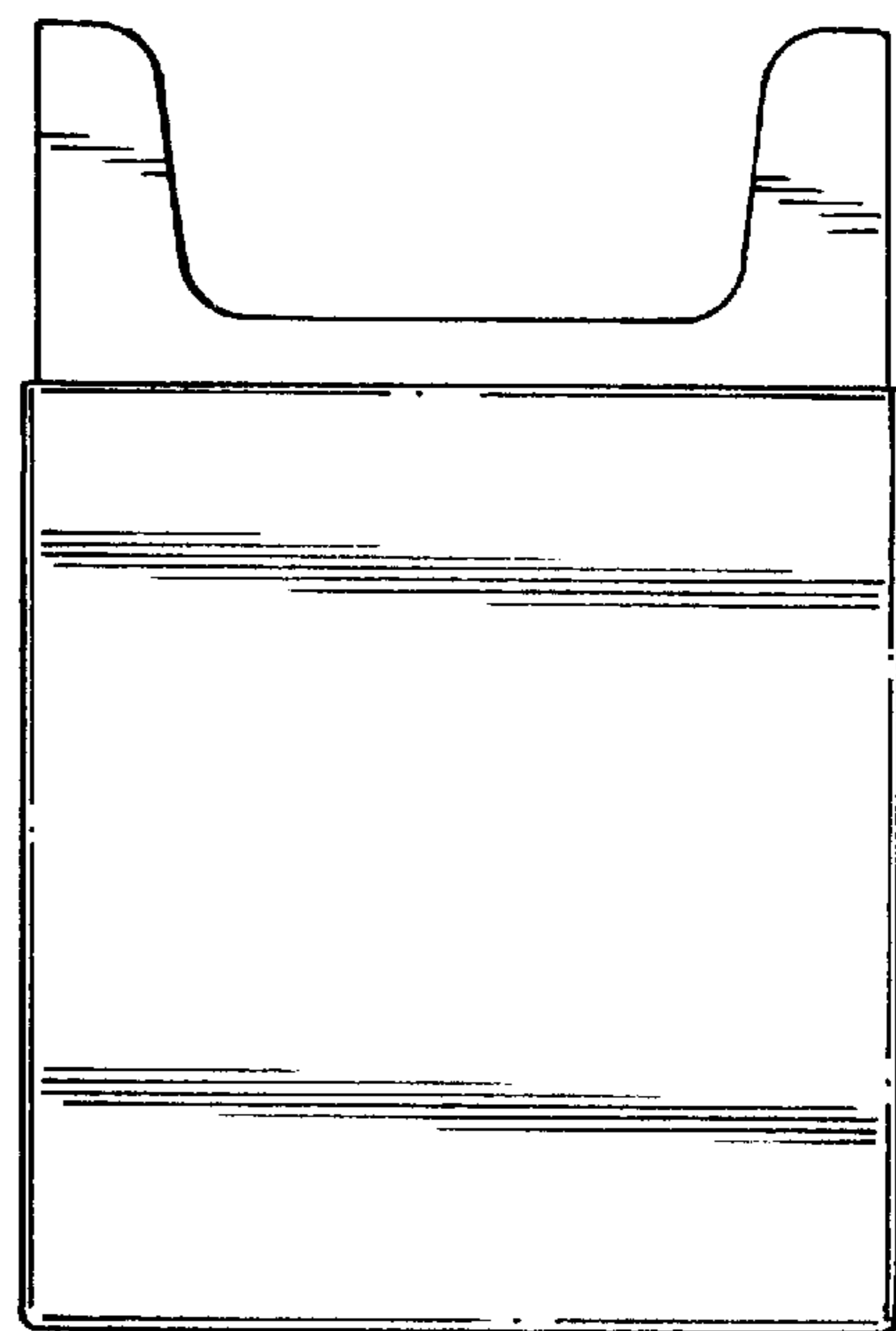


FIG. 6