

US00D405006S

United States Patent [19]
Spencer

[11] **Patent Number: Des. 405,006**

[45] **Date of Patent: **Feb. 2, 1999**

[54] **BOTTLE CARRIER**

[76] Inventor: **Richard Randall Spencer**, 9683 Tierra Grande, Suite 204, San Diego, Calif. 92126

[**] Term: **14 Years**

[21] Appl. No.: **80,773**

[22] Filed: **Dec. 16, 1997**

[51] **LOC (6) Cl.** **09-03**

[52] **U.S. Cl.** **D9/344**

[58] **Field of Search** D3/307-314; D9/3, D9/4, 345, 346; 206/150, 151, 159, 160-162, 172, 193, 199-201; 220/757; 294/87.2

[56] **References Cited**

U.S. PATENT DOCUMENTS

D. 237,686 11/1975 Torokvei D9/345 X

D. 318,552 7/1991 Apps D9/341
2,525,663 10/1950 Arnett 206/199
3,045,863 7/1962 De Chelbor D9/341 X
3,330,408 7/1967 Wanderer D9/341 X

Primary Examiner—Ted Shooman
Assistant Examiner—Nanda Bondade
Attorney, Agent, or Firm—Harris F. Brotman, Ph.D., J.D.

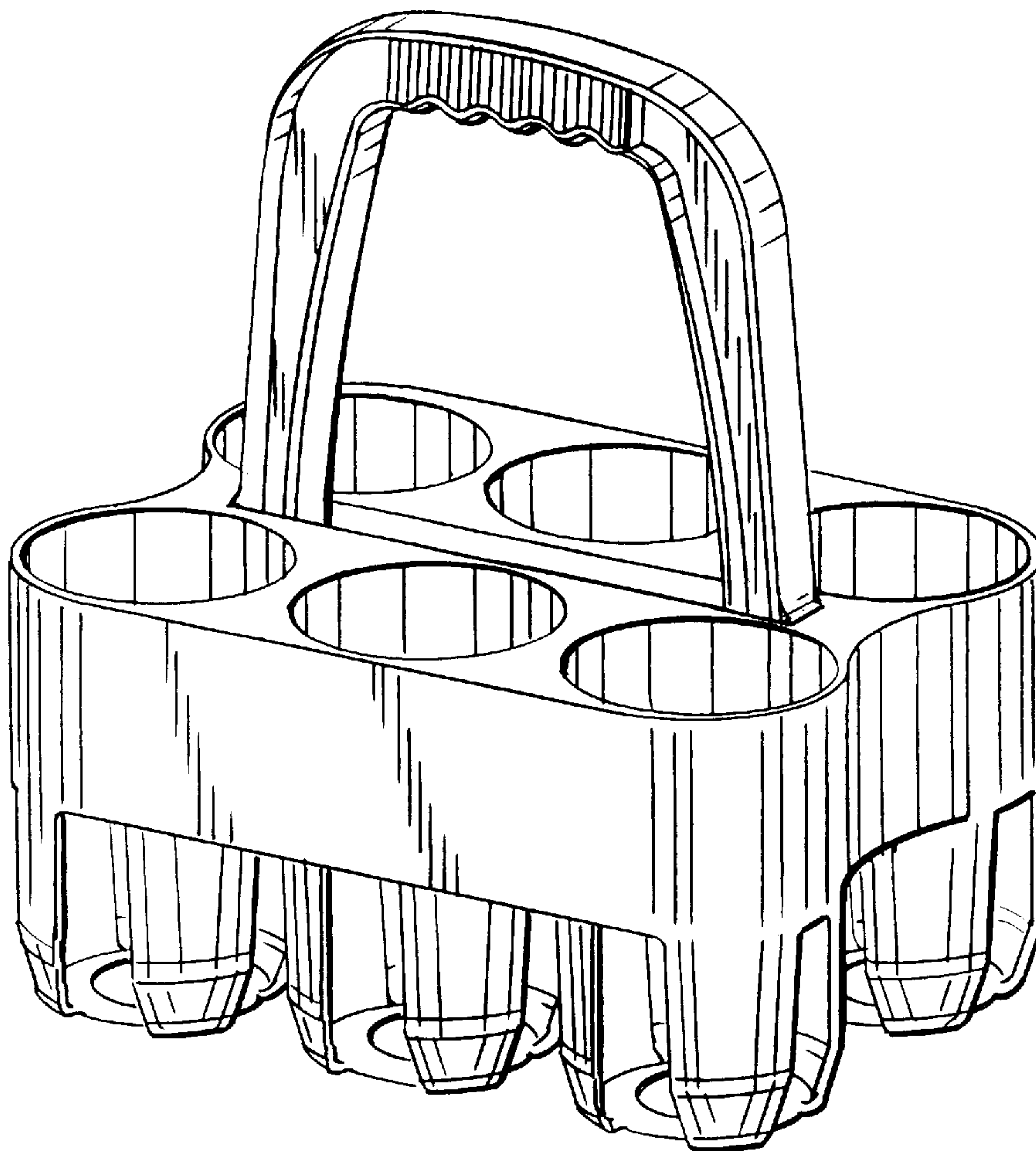
[57] **CLAIM**

The ornamental design for a bottle carrier, as shown.

DESCRIPTION

FIG. 1 is a perspective view of the bottle carrier.
FIG. 2 is a front view and a back view of the bottle carrier.
FIG. 3 is a right and left side view of the bottle carrier.
FIG. 4 is a top of the bottle carrier.
FIG. 5 is a bottom view of the bottom carrier.
FIG. 6 is an exploded perspective view of the bottle carrier.

1 Claim, 3 Drawing Sheets



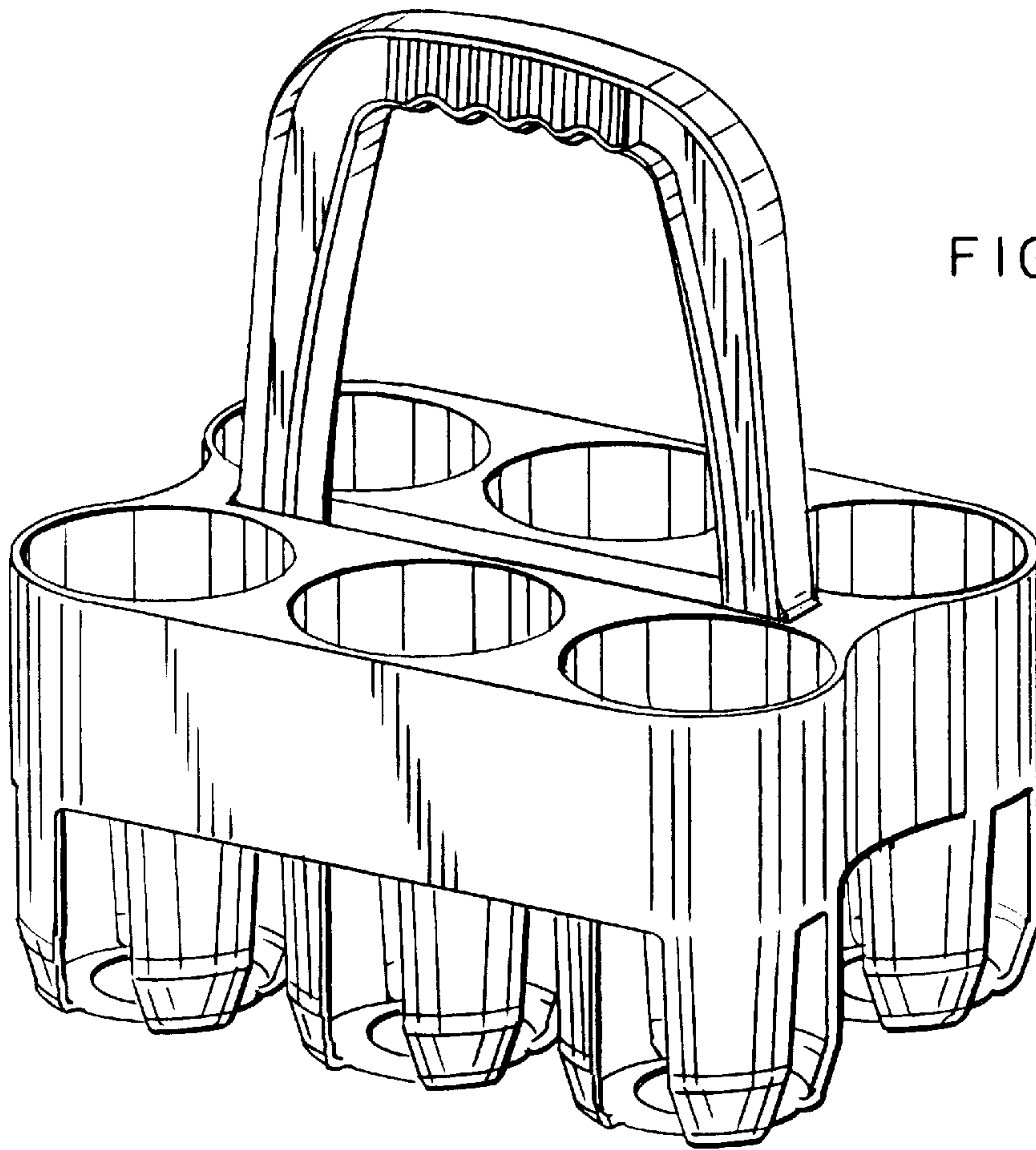


FIG. 1

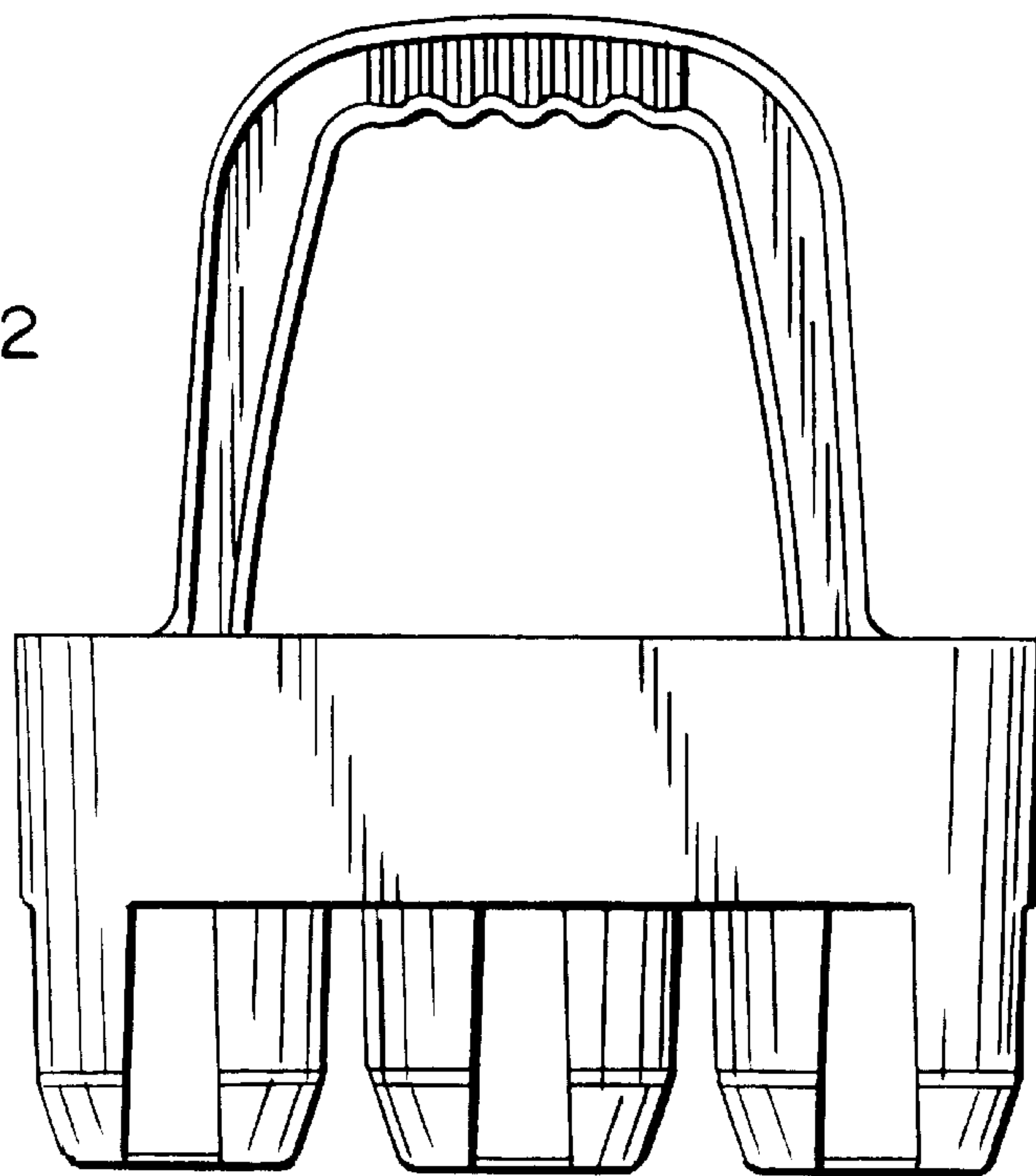


FIG. 2

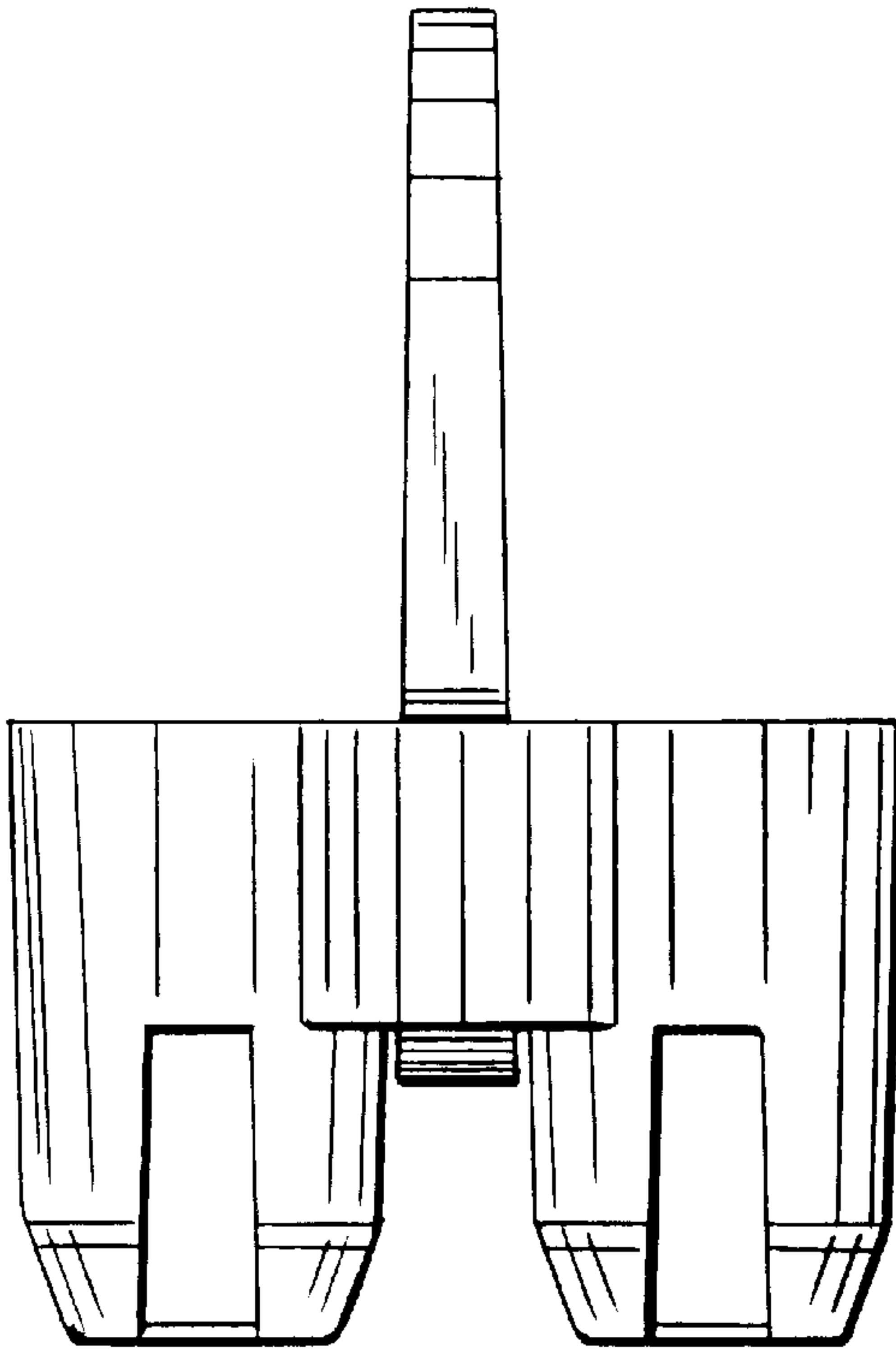


FIG. 3

FIG. 4

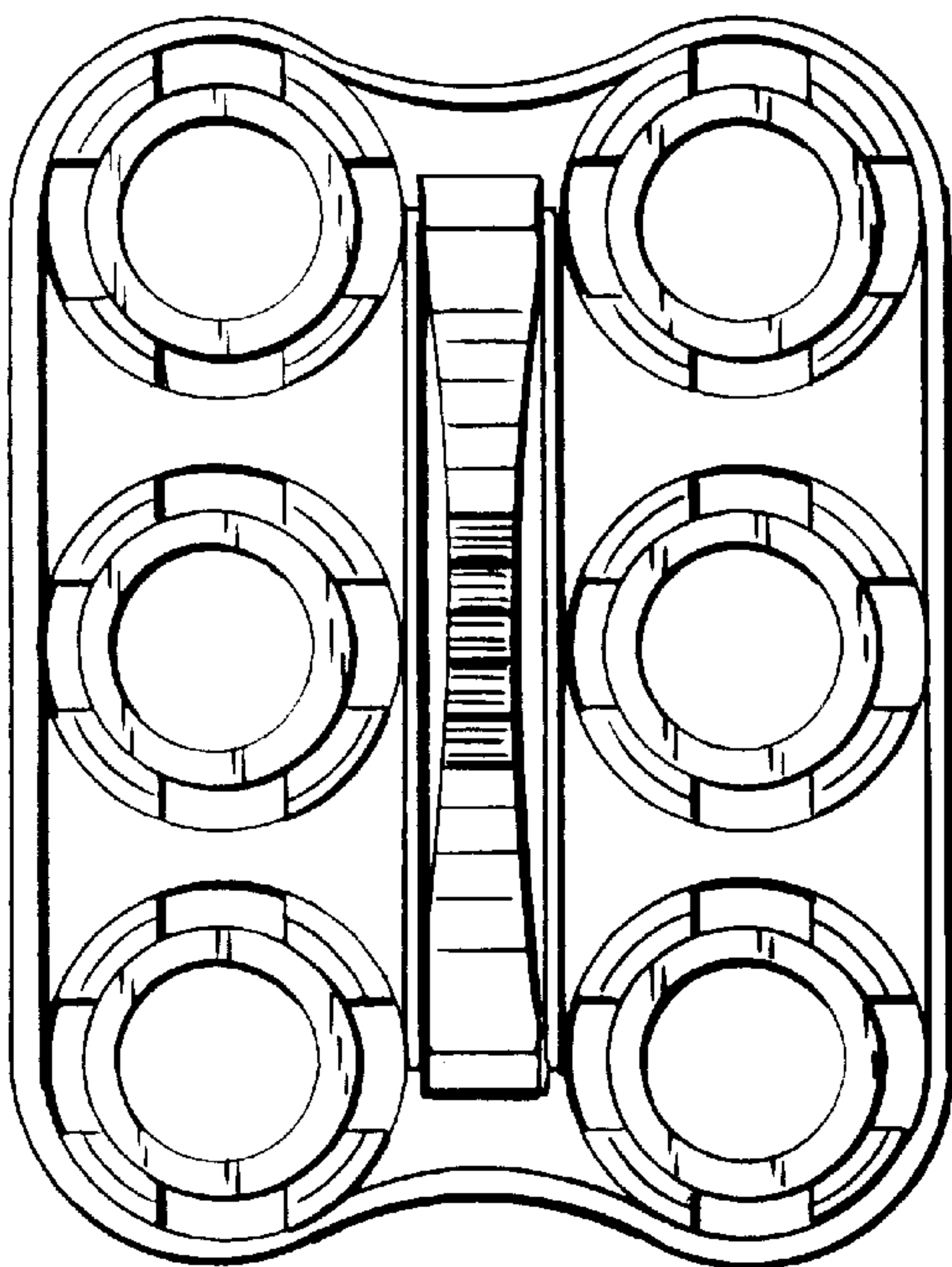
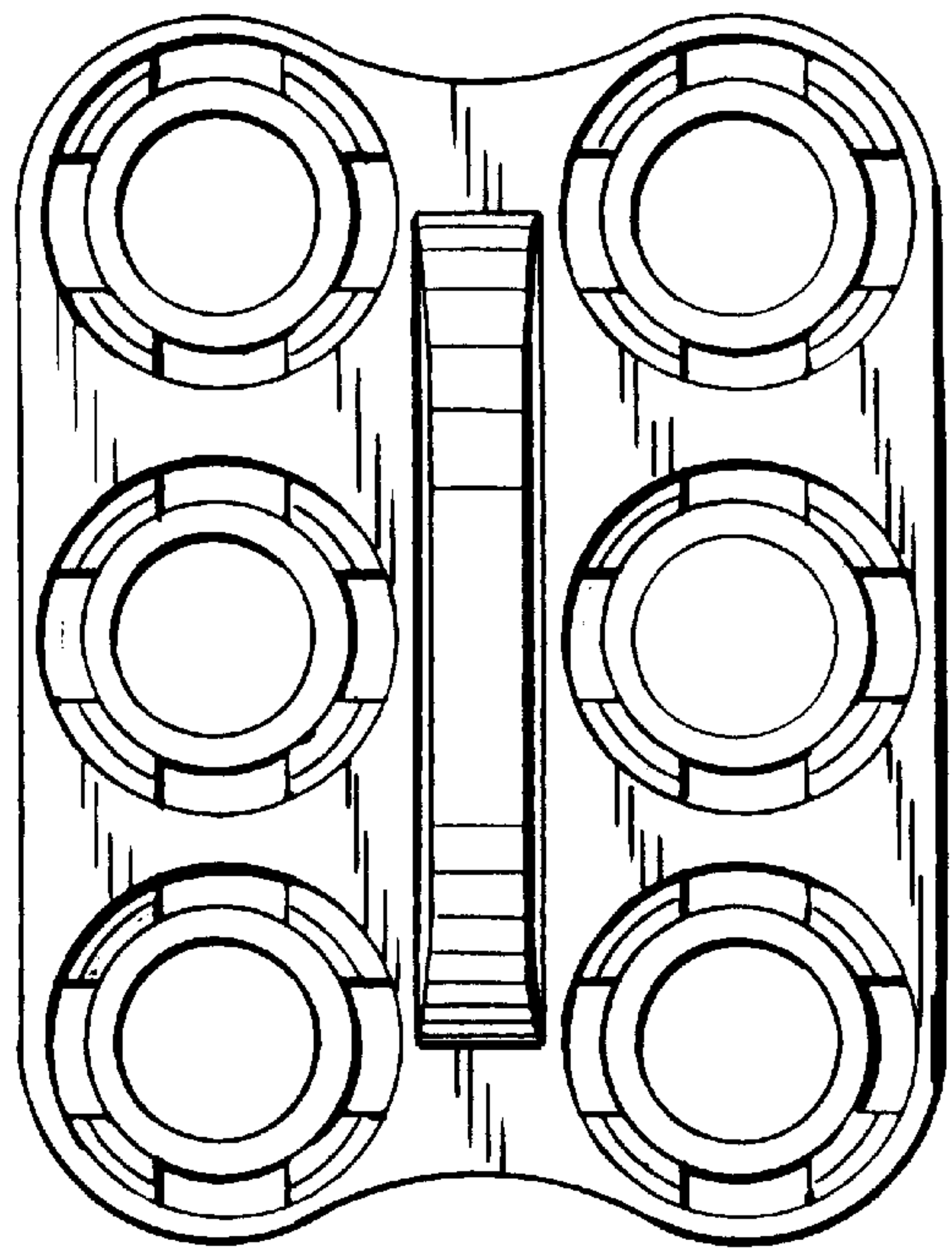


FIG. 5

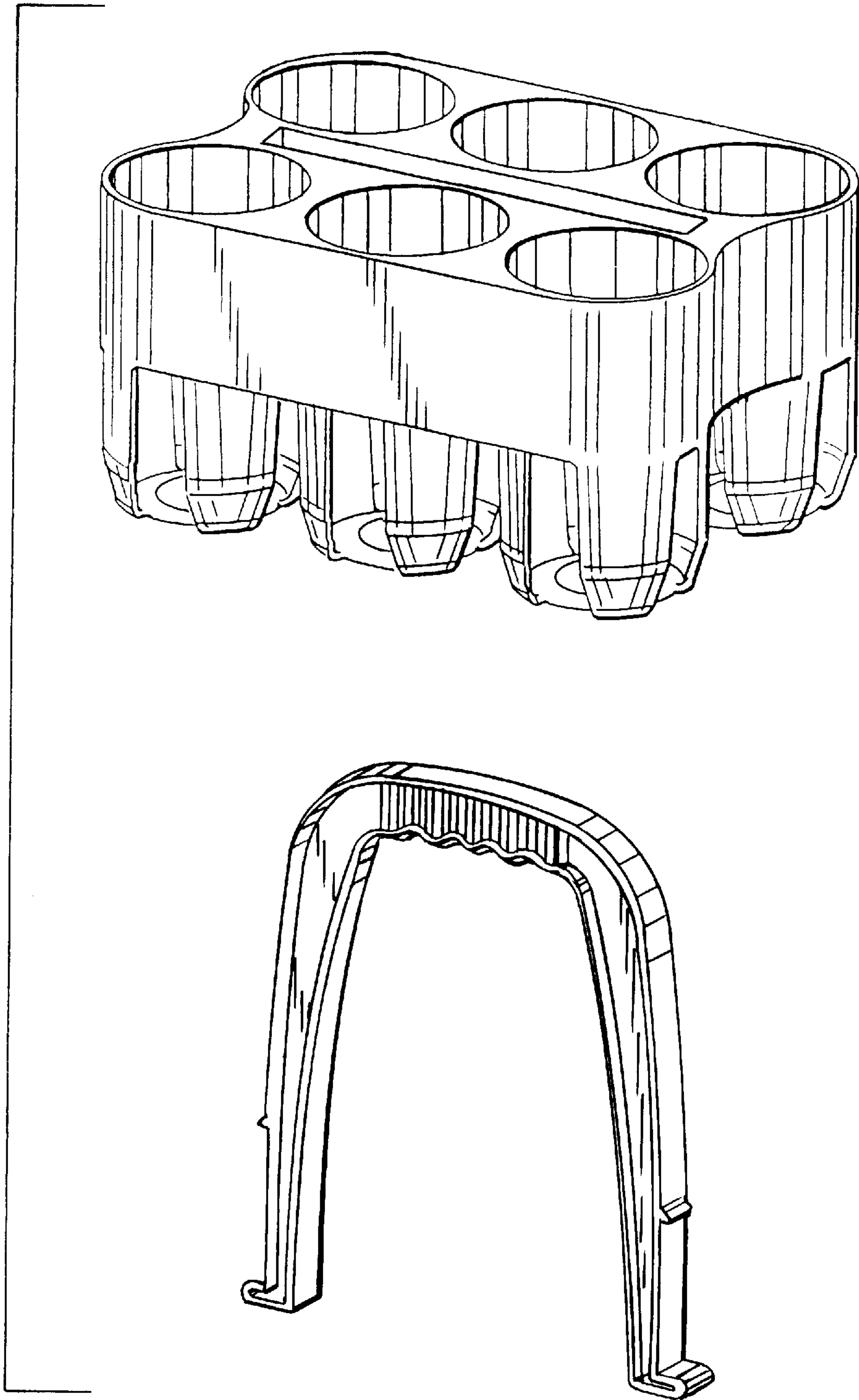


FIG. 6