



US00D405001S

**United States Patent** [19]  
**Caló**

[11] **Patent Number: Des. 405,001**

[45] **Date of Patent: \*\*Feb. 2, 1999**

[54] **FANCIFUL CONTAINER WITH CAP AND BOW**

[76] Inventor: **Vera J. Caló**, Rambla República del Perú 1435, Montevideo, Uruguay, 11300

[\*\*] Term: **14 Years**

[21] Appl. No.: **85,287**

[22] Filed: **Mar. 19, 1998**

[51] **LOC (6) Cl.** ..... **09-01**

[52] **U.S. Cl.** ..... **D9/307**

[58] **Field of Search** ..... D9/307, 546, 559;  
215/372, 376, 382, 383, 384, 400

[56] **References Cited**

**U.S. PATENT DOCUMENTS**

D. 89,141	1/1933	Wilson	.....	D9/559
D. 143,837	2/1946	Lewis	.....	D9/307
D. 187,960	5/1960	Marina	.....	D9/546
D. 211,563	7/1968	Cherry	.....	D9/500
D. 289,142	4/1987	Bijaoui	.....	D9/307
D. 378,897	4/1997	Du Grenier et al.	.....	D9/546

*Primary Examiner*—Terry A. Wallace  
*Attorney, Agent, or Firm*—Ladas & Parry

[57] **CLAIM**

I claim the ornamental design for fanciful container with cap and bow, as shown and described.

**DESCRIPTION**

FIG. 1 is a top/front perspective view of a fanciful container with cap and bow;

FIG. 2 is a front elevational view thereof;

FIG. 3 is a rear elevational view thereof;

FIG. 4 is a side elevational view, the other side being a mirror image thereof;

FIG. 5 is a top plan view thereof;

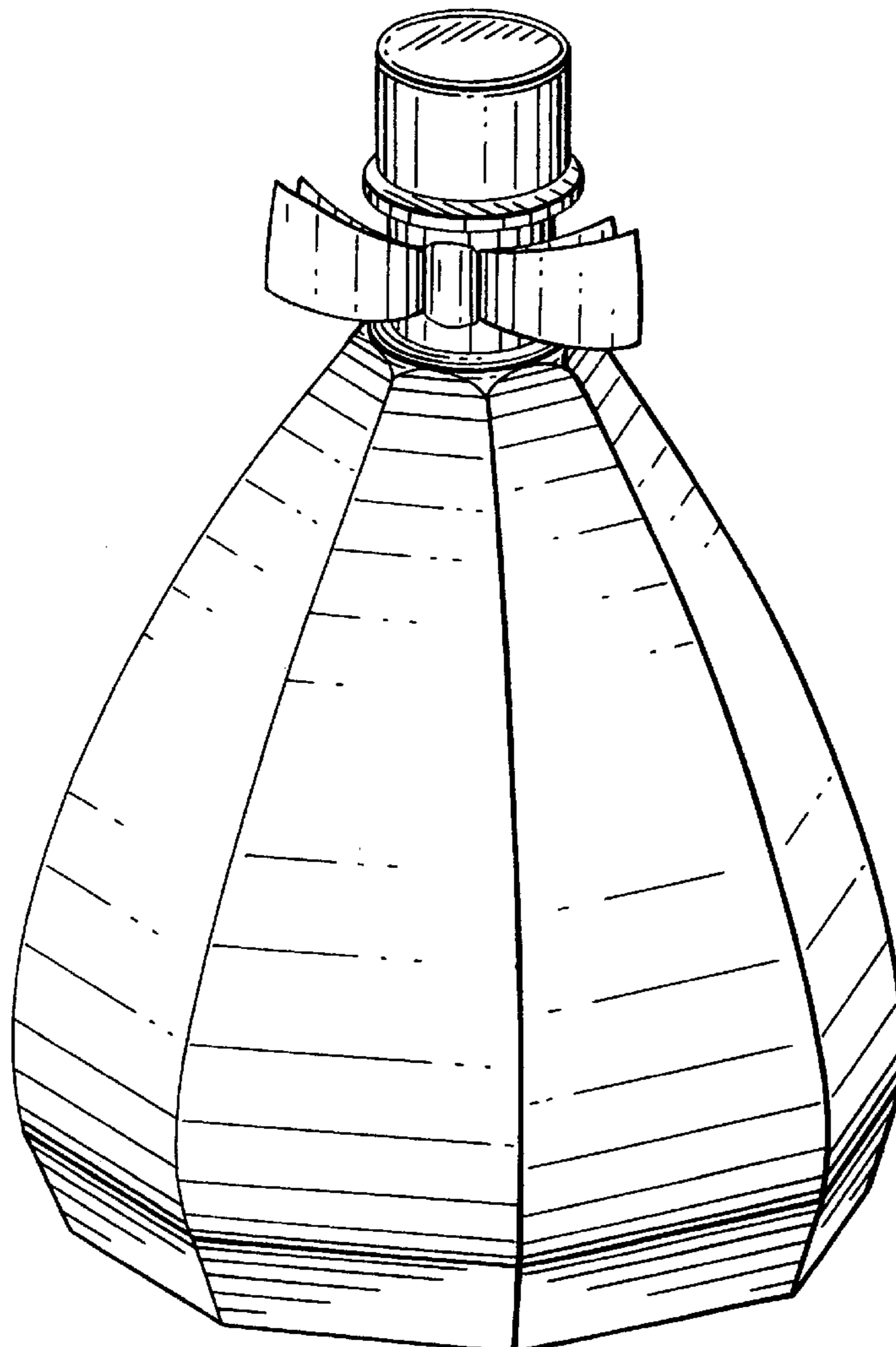
FIG. 6 is a bottom plan view thereof;

FIG. 7 illustrates the container of FIG. 2 with the cap separated therefrom;

FIG. 8 illustrates the container of FIG. 2 without a cap; and,

FIG. 9 is a perspective view of an alternate embodiment of FIG. 1, the difference being in the bow.

**1 Claim, 5 Drawing Sheets**



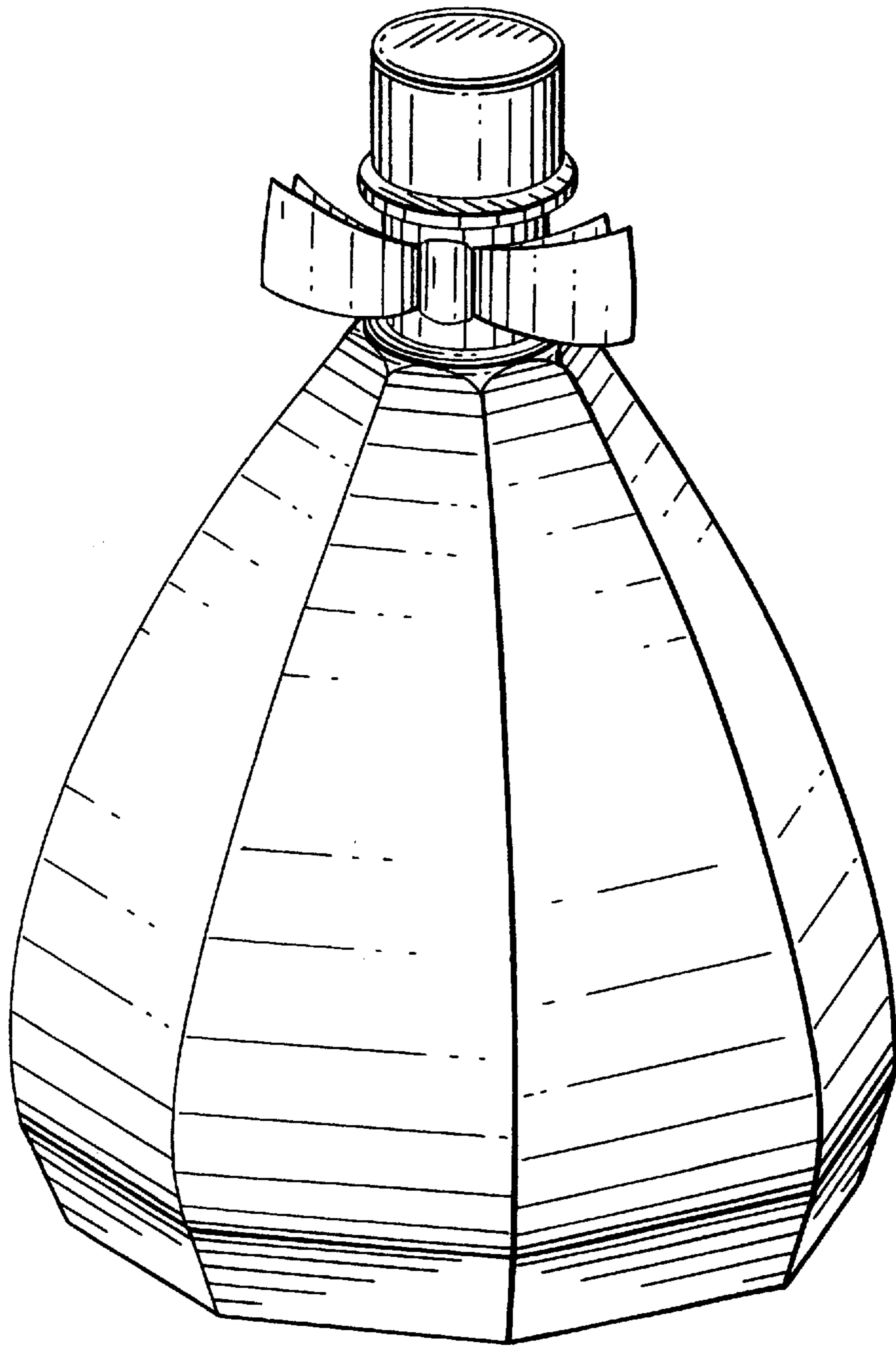


FIG. 1

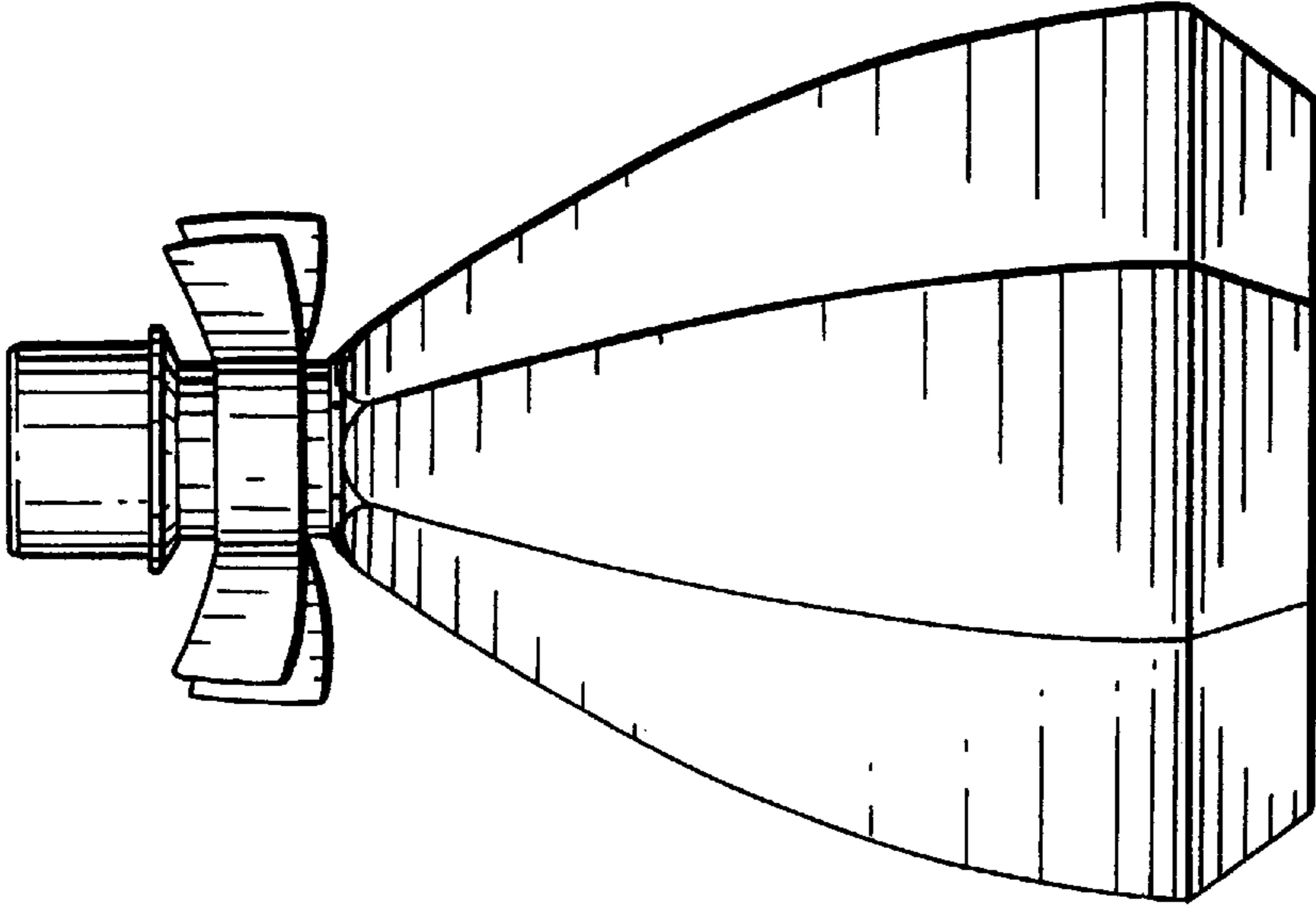


FIG. 3

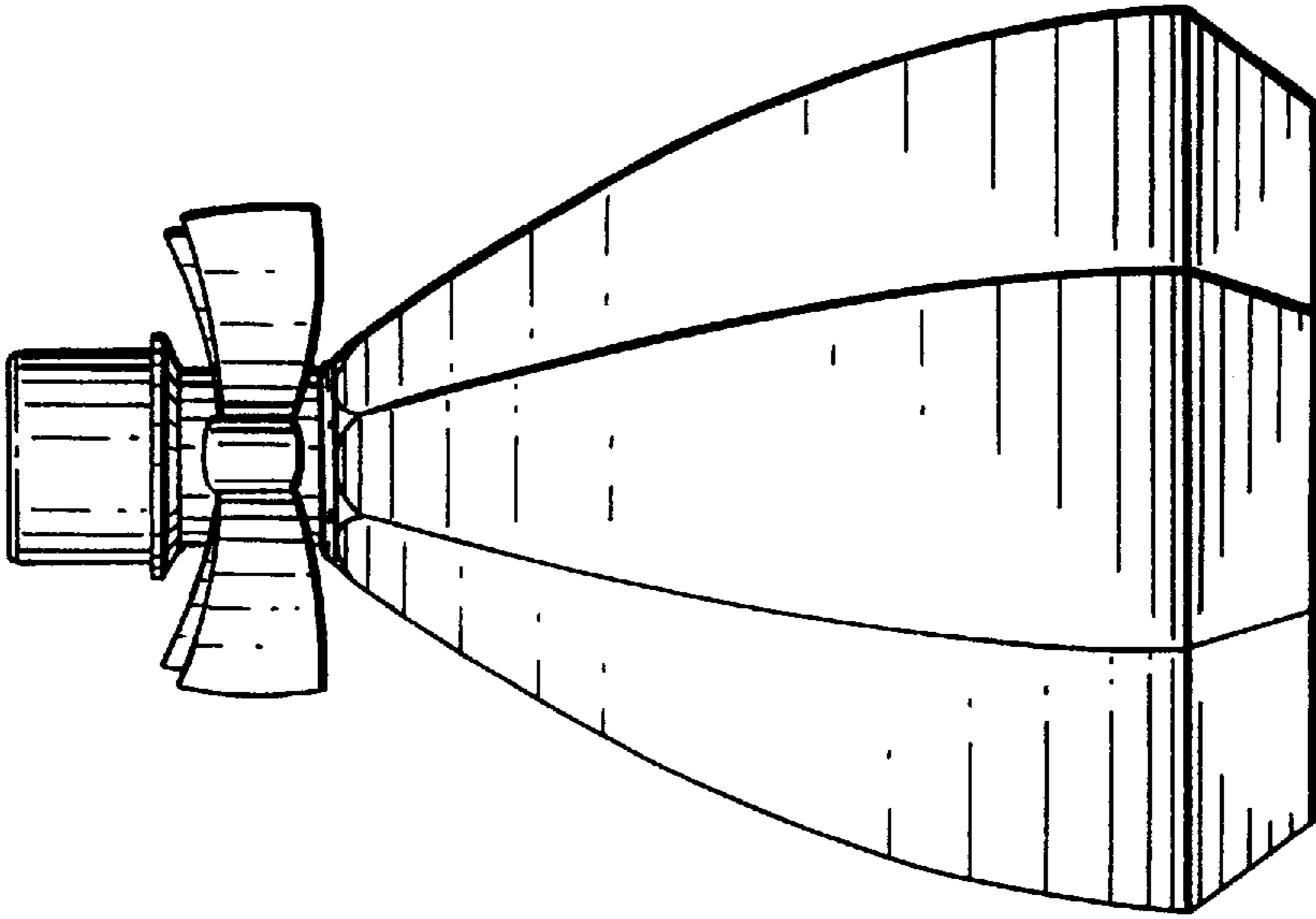


FIG. 2

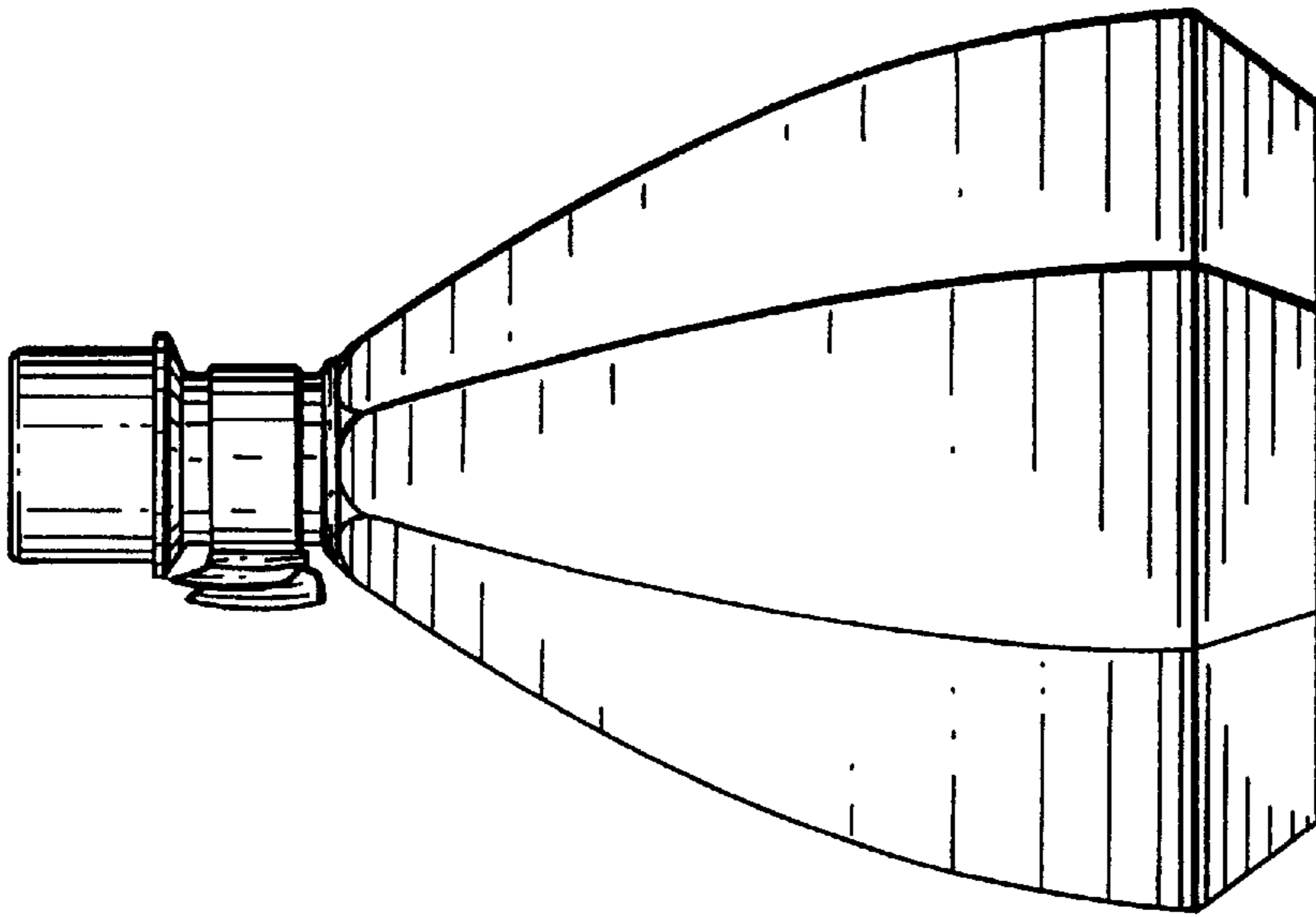


FIG. 4

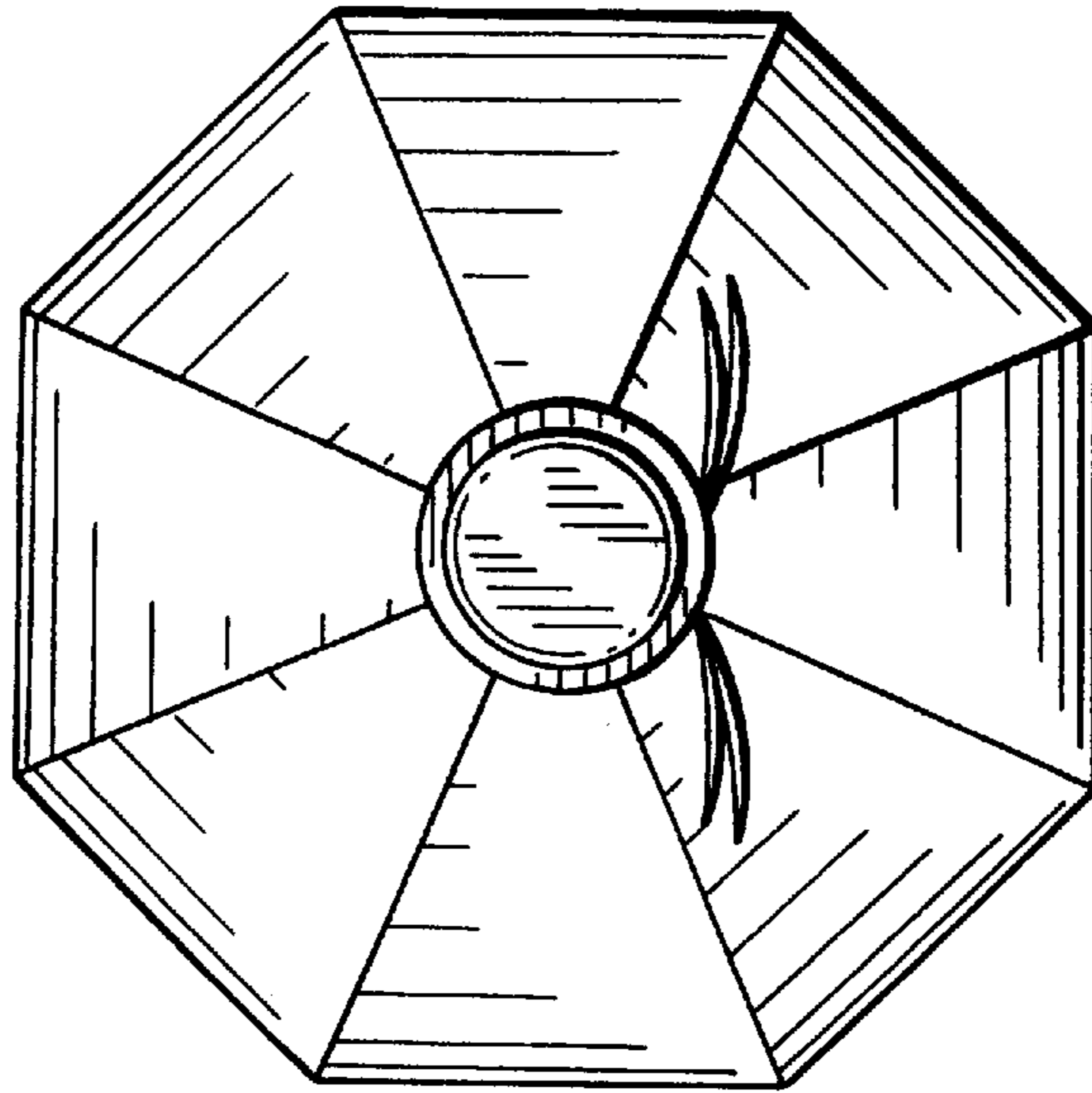


FIG. 5

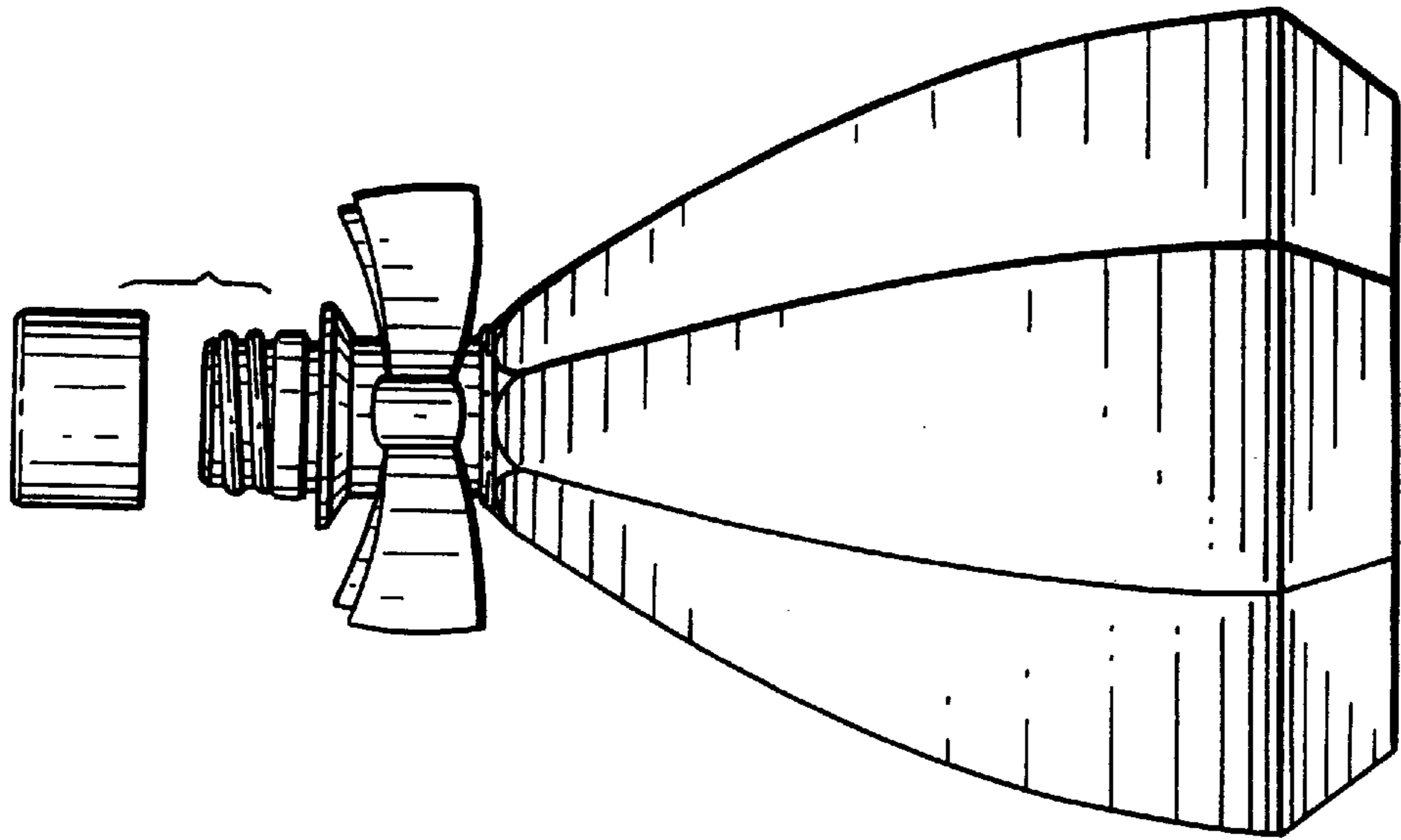


FIG. 7

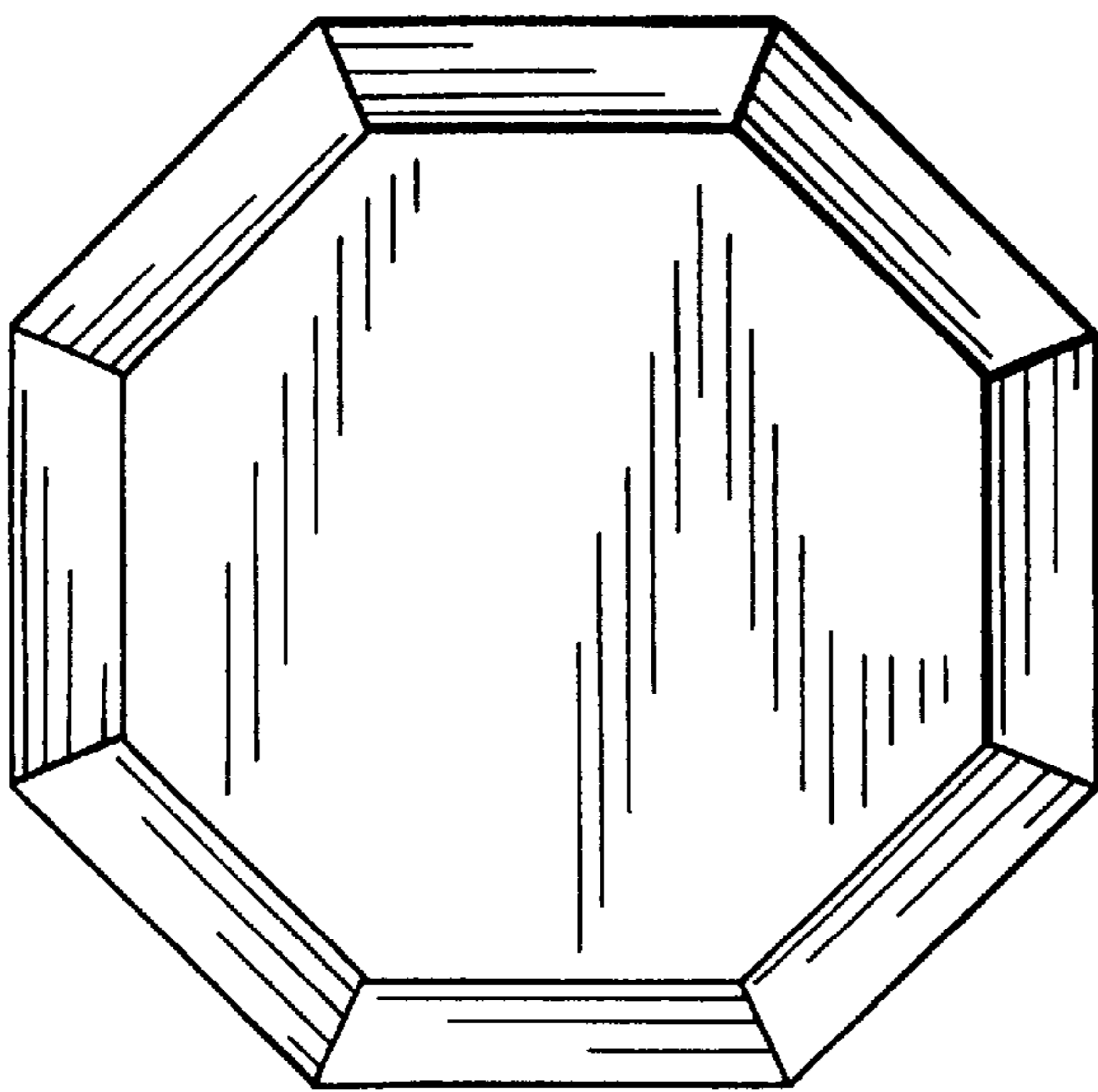


FIG. 6

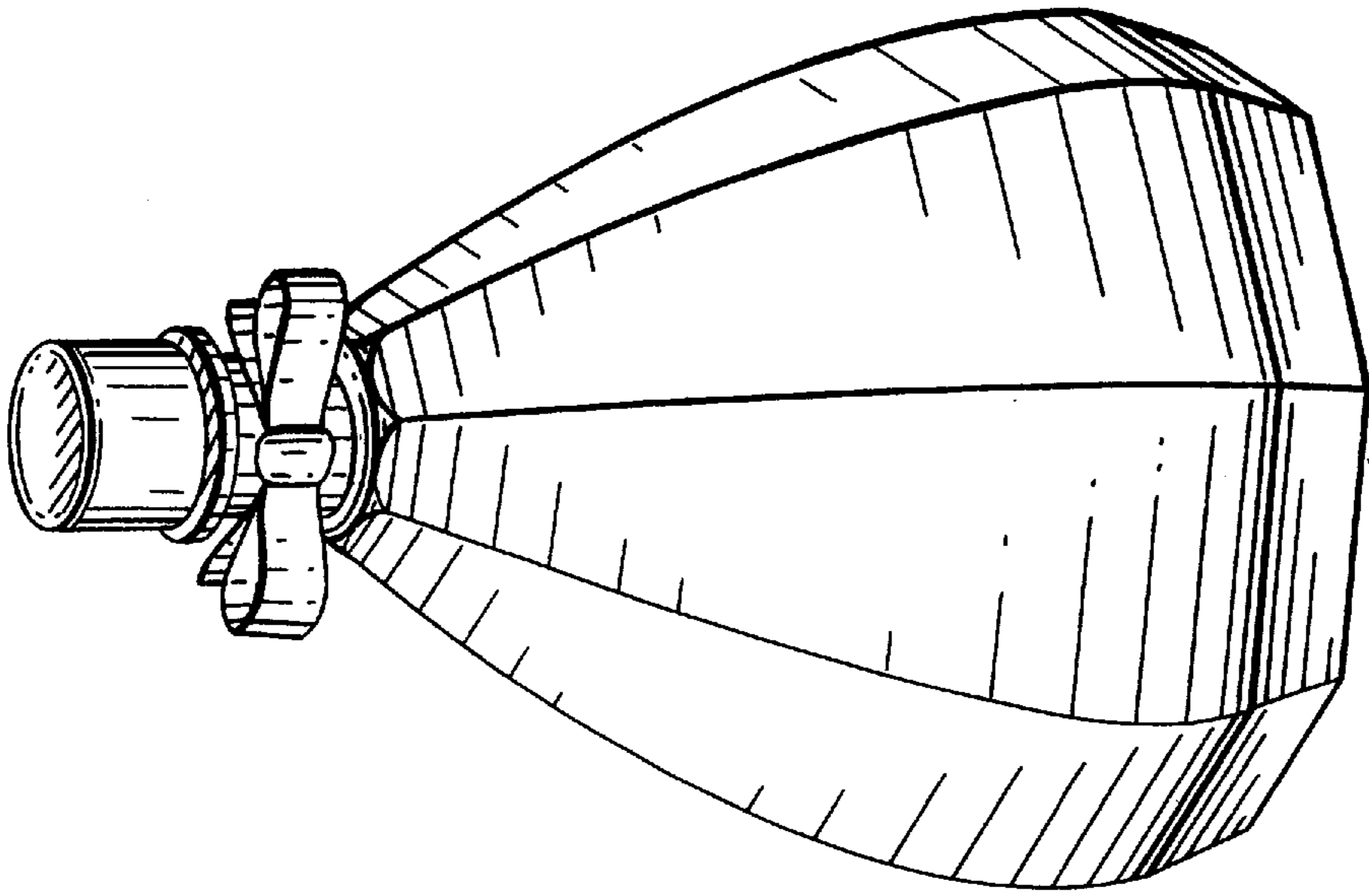


FIG. 9

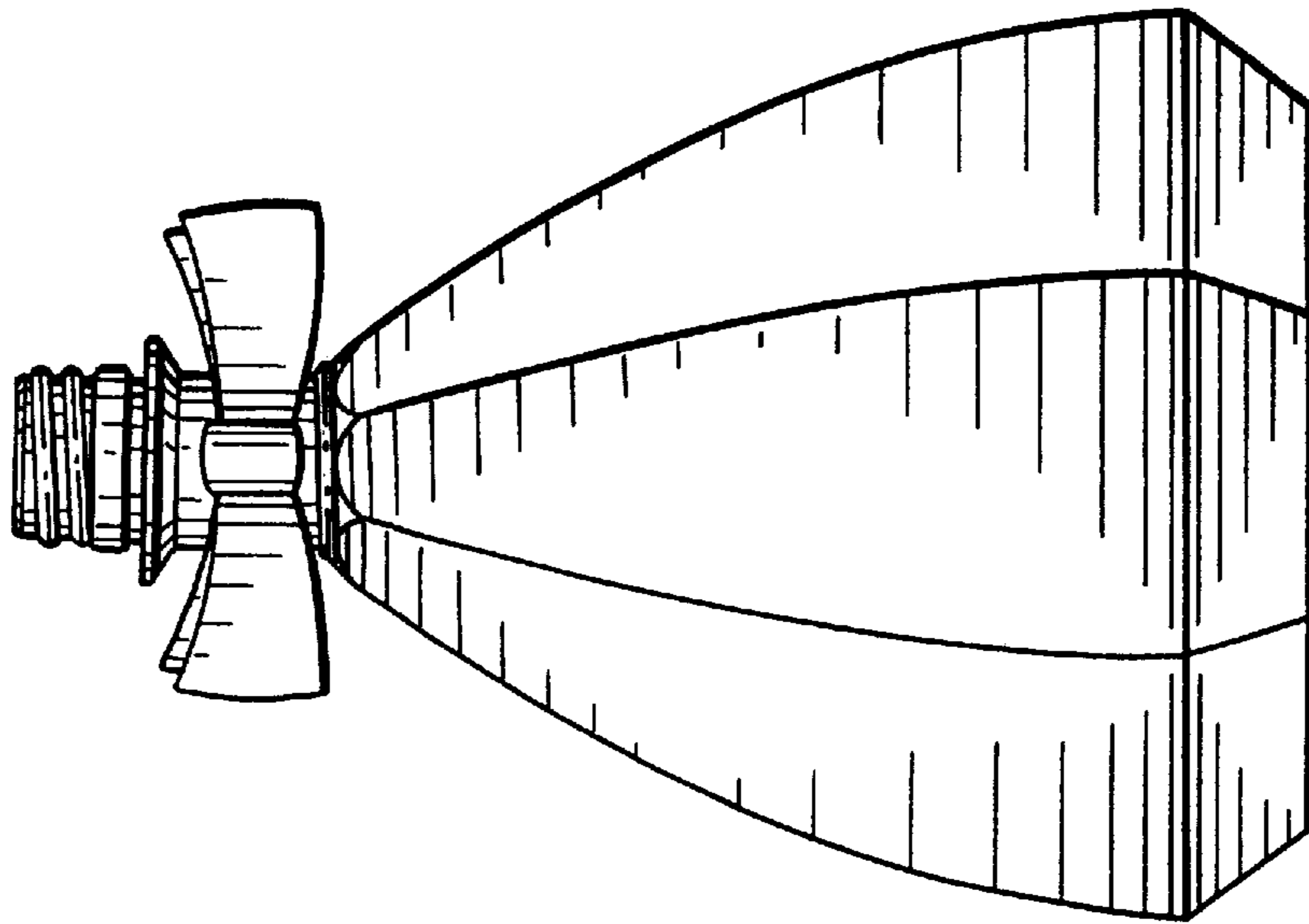


FIG. 8