



US00D404999S

United States Patent [19]

Jaggi et al.

[11] Patent Number: **Des. 404,999**

[45] Date of Patent: ****Feb. 2, 1999**

[54] **WINDOW TREATMENT ACCESSORY**

[75] Inventors: **Cindy R. Jaggi**, Verona; **Charles F. Smiley**, Waunakee, both of Wis.

[73] Assignee: **Springs Window Fashions Division, Inc.**, Middleton, Wis.

[**] Term: **14 Years**

[21] Appl. No.: **85,786**

[22] Filed: **Mar. 30, 1998**

[51] **LOC (6) Cl.** **08-05**

[52] **U.S. Cl.** **D8/580; D25/55**

[58] **Field of Search** **D8/580, 581; D25/55; 248/267, 254, 262**

[56] **References Cited**

U.S. PATENT DOCUMENTS

- D. 675 10/1854 Debouche D8/381
- D. 23,969 1/1895 Hoffman D8/380
- D. 52,076 6/1918 Holstein D8/381

D. 391,472 3/1998 Smiley et al. D8/380

Primary Examiner—Lisa Lichtenstein
Attorney, Agent, or Firm—Lerner, David, Littenberg, Krumholz & Mentalik

[57] **CLAIM**

The ornamental design for a window treatment accessory, as shown and described.

DESCRIPTION

FIG. 1 is an environmental perspective view of the claimed window treatment accessory;
 FIG. 2 is a top plan view thereof;
 FIG. 3 is a bottom plan view thereof;
 FIG. 4 is a front view thereof;
 FIG. 5 is a rear view thereof; and,
 FIG. 6 is a left side view thereof (the right side view being a mirror image).
 The broken line showing of a cut-away portion of a support rod in FIG. 1 and mounting holes in FIG. 3 are for illustrative purposes only and form no part of the claimed design.

1 Claim, 5 Drawing Sheets

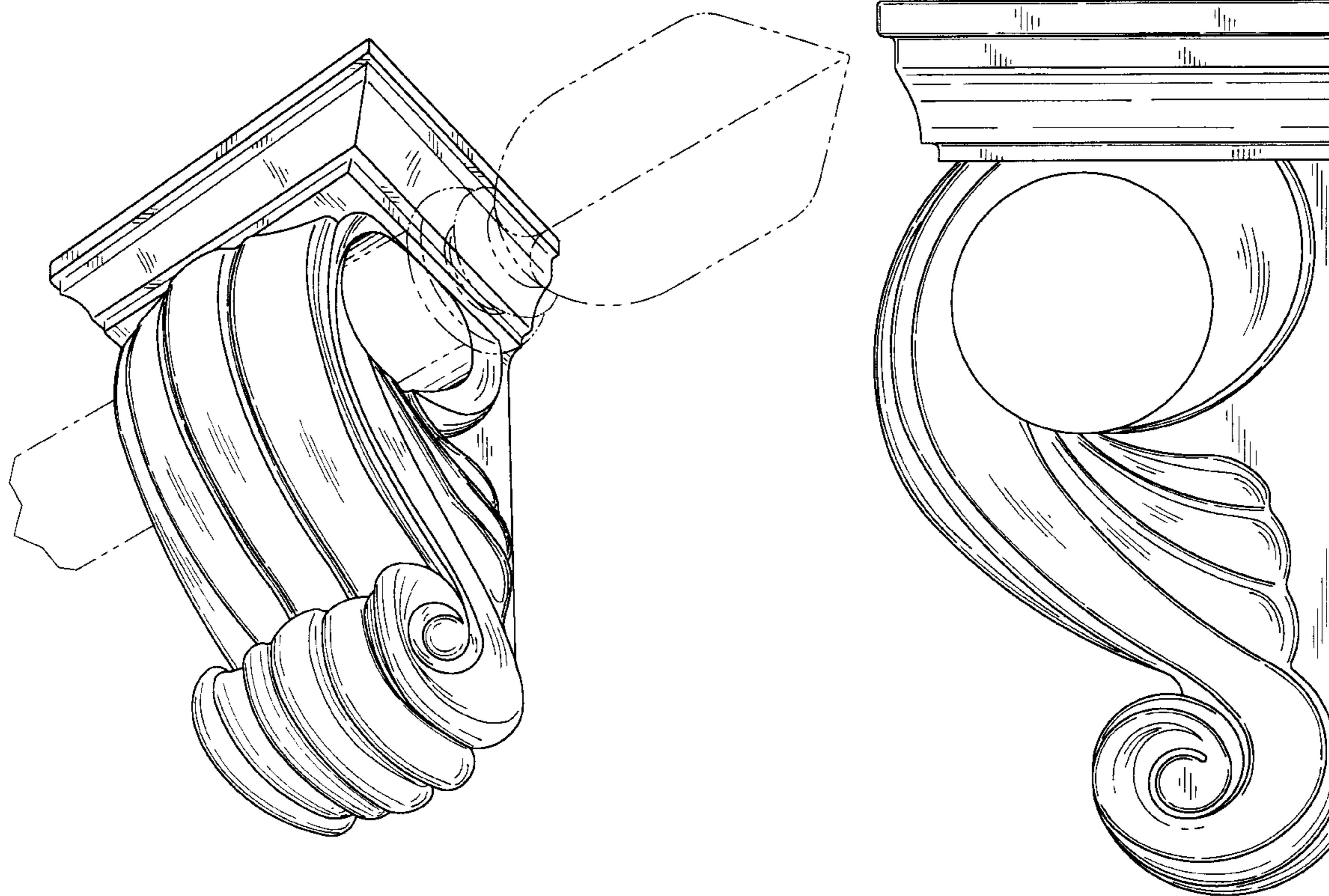


FIG. 1

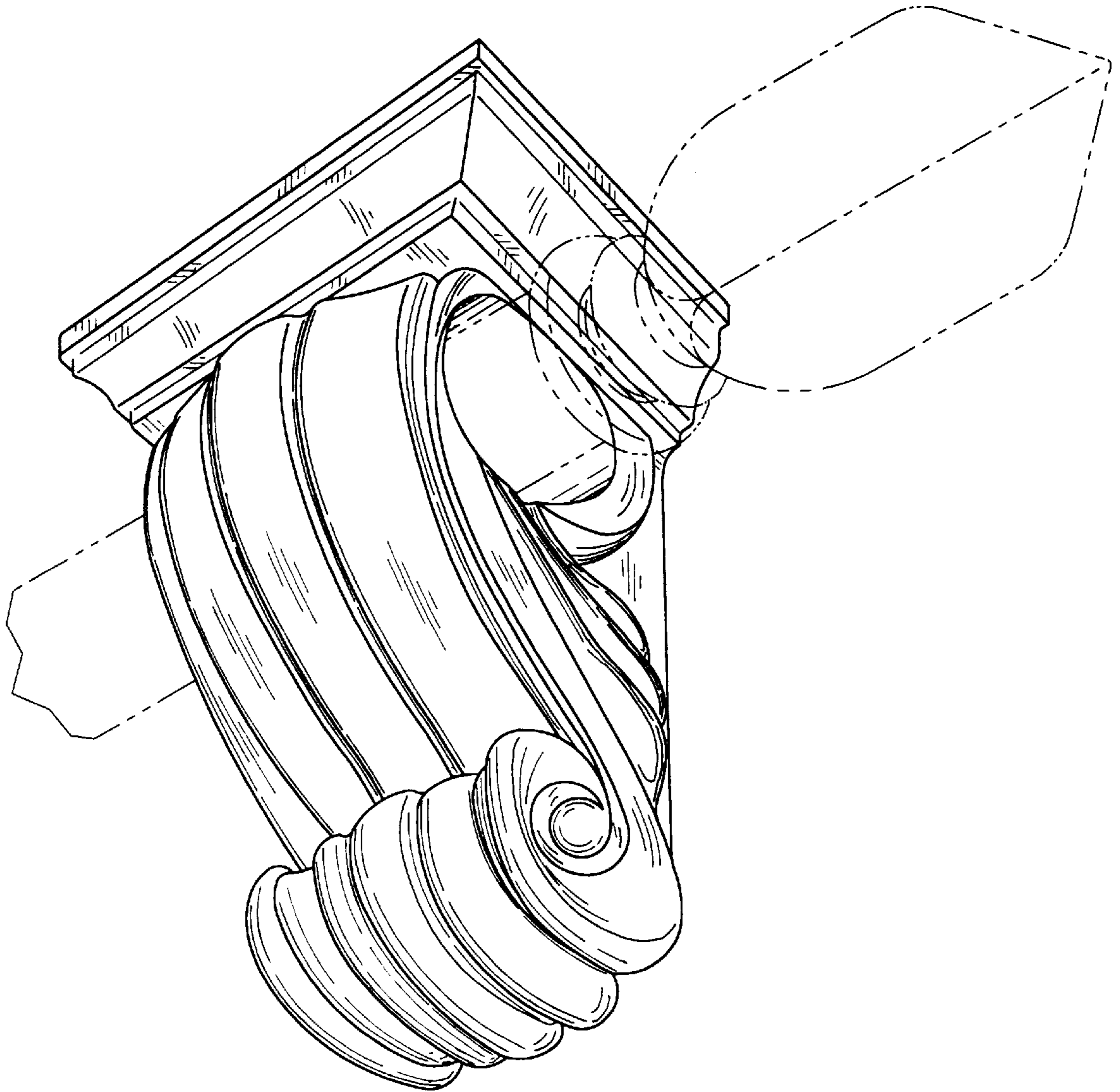


FIG. 2

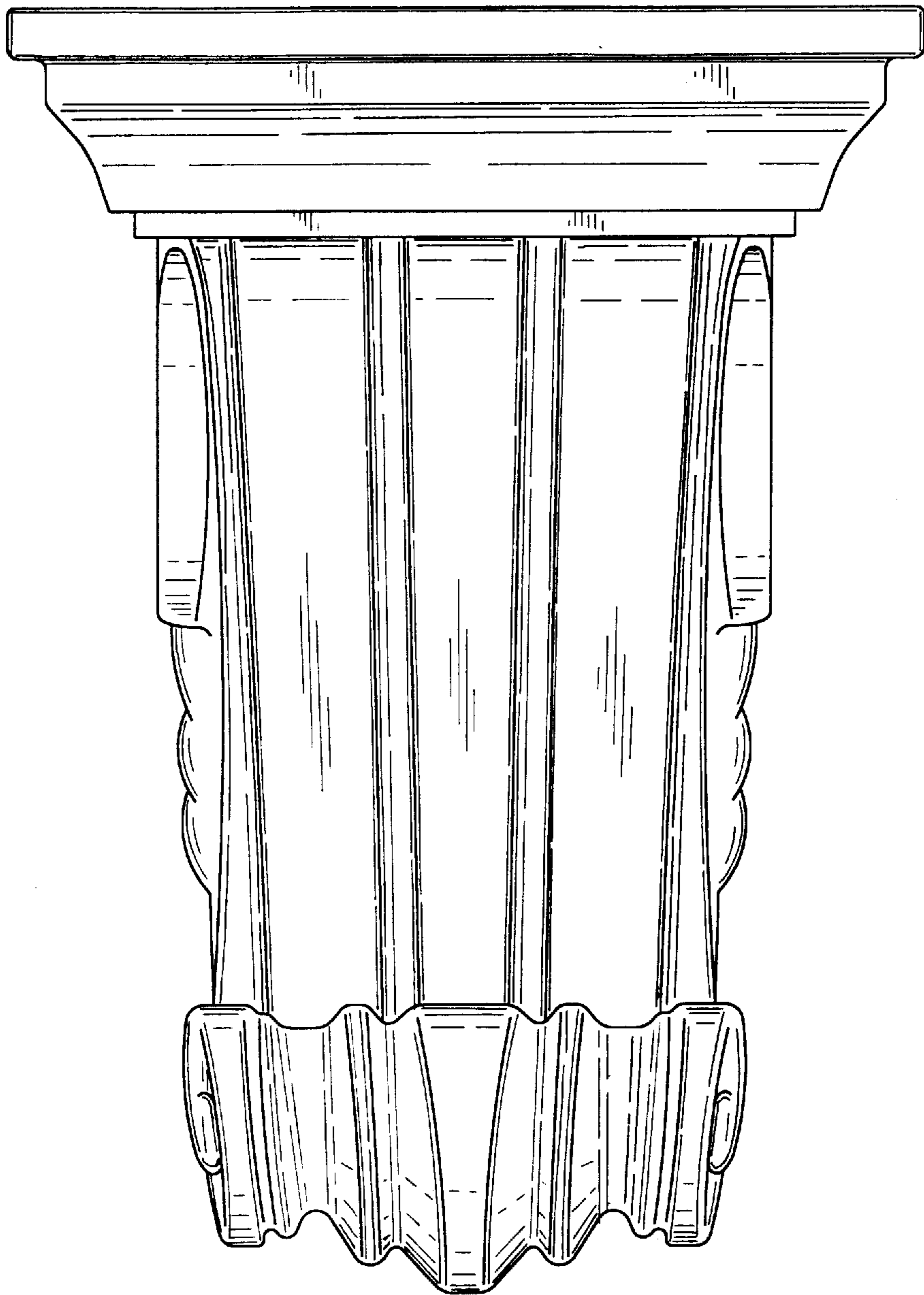


FIG. 3

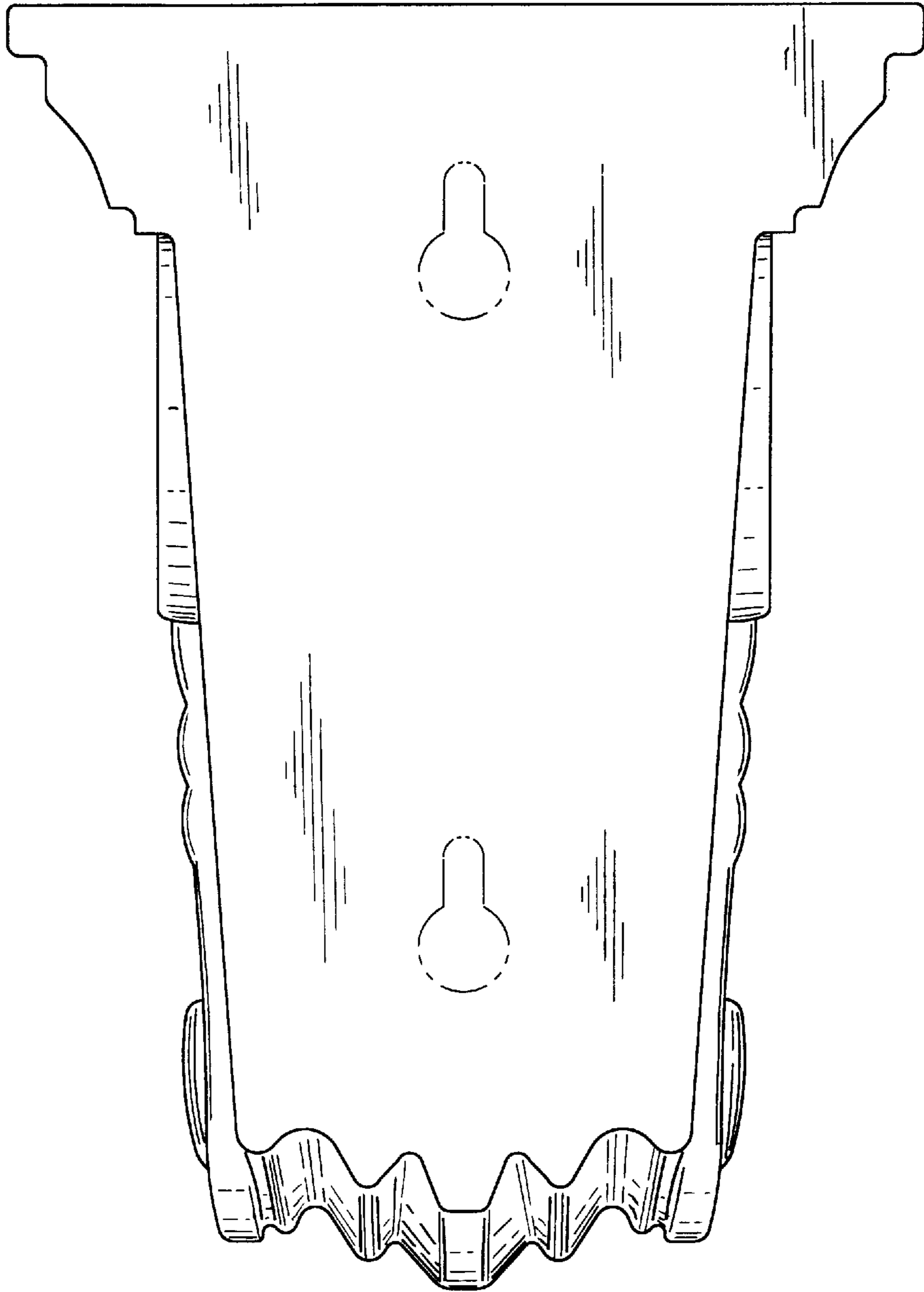


FIG. 4

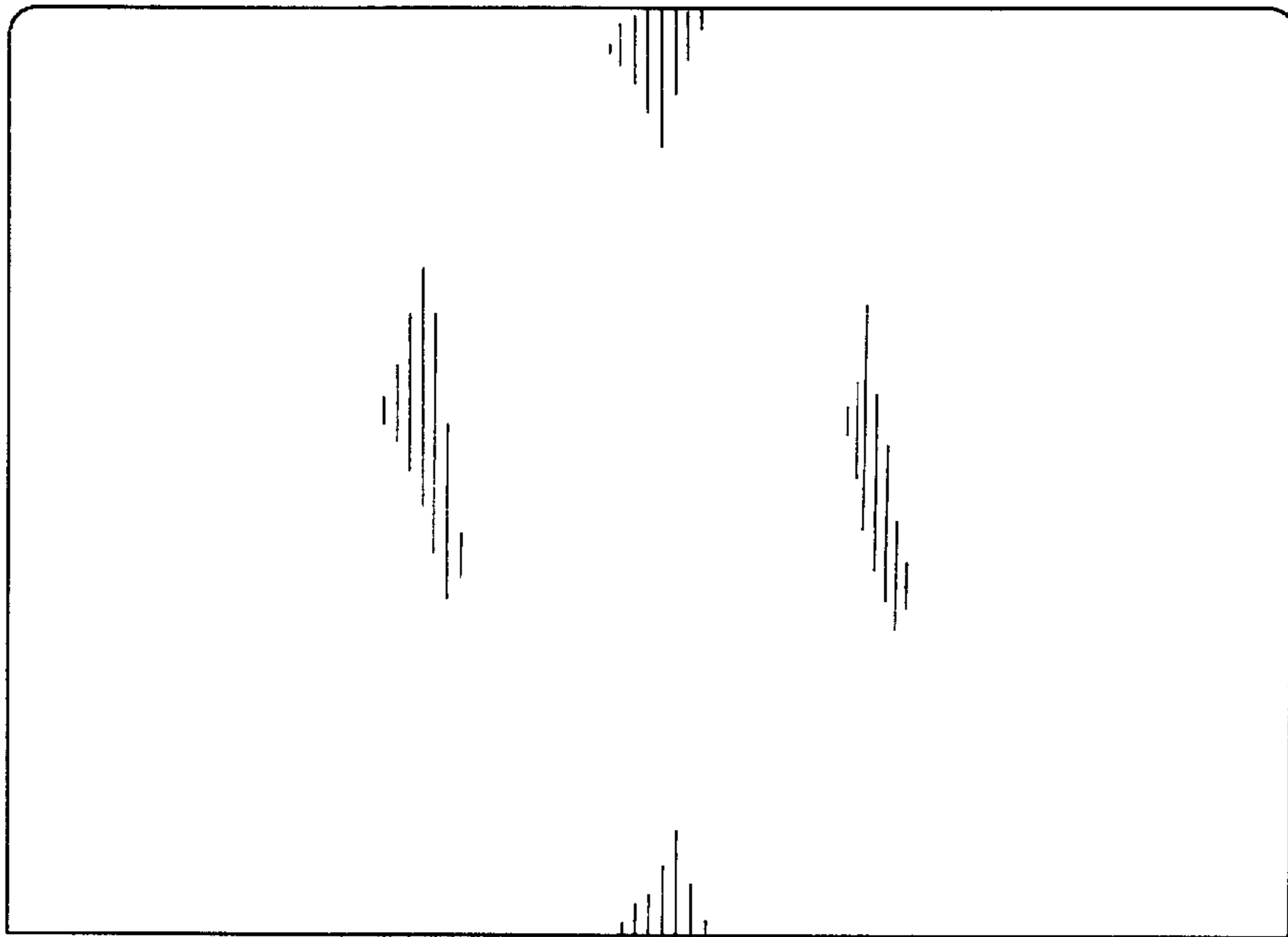


FIG. 5

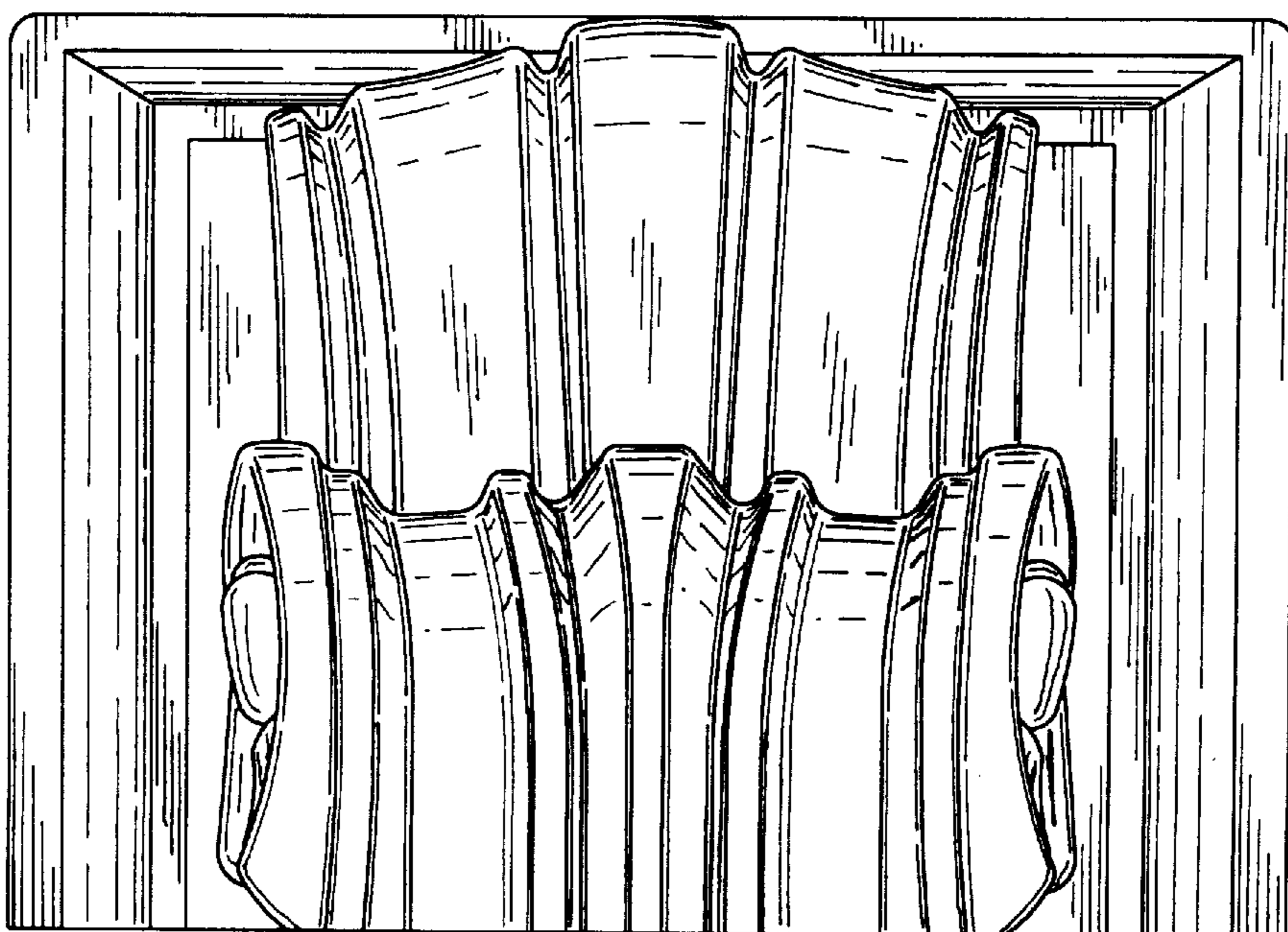


FIG. 6

