



US00D404997S

**United States Patent** [19]  
**Podell**

[11] **Patent Number: Des. 404,997**

[45] **Date of Patent: \*\*\*Feb. 2, 1999**

[54] **SNAP FASTENER**

[75] **Inventor: Wayne Podell, Budd Lake, N.J.**

[73] **Assignee: Liz Claiborne, Inc., New York, N.Y.**

[\*] **Notice:** The term of this patent shall not extend beyond the expiration date of Pat. No. Des. 403,952.

[\*\*] **Term: 14 Years**

[21] **Appl. No.: 79,362**

[22] **Filed: Nov. 14, 1997**

[51] **LOC (6) Cl. .... 08-08**

[52] **U.S. Cl. .... D8/382; D11/220**

[58] **Field of Search .... D11/200, 220, D11/231; D8/382, 349, 354, 373; 24/303, 201**

[56] **References Cited**

**U.S. PATENT DOCUMENTS**

D. 277,384	1/1985	Morita	.....	D8/382
D. 360,391	7/1995	Aoki	.....	D11/220
D. 375,061	10/1996	Morita	.....	D11/220
D. 386,669	11/1997	Aoki	.....	D8/382
4,505,007	3/1985	Aoki	.....	24/303
5,572,773	11/1996	Bauer	.....	24/303
5,722,126	3/1998	Reiter	.....	24/303

*Primary Examiner*—Ralf Seifert  
*Attorney, Agent, or Firm*—Kirschstein, et al.

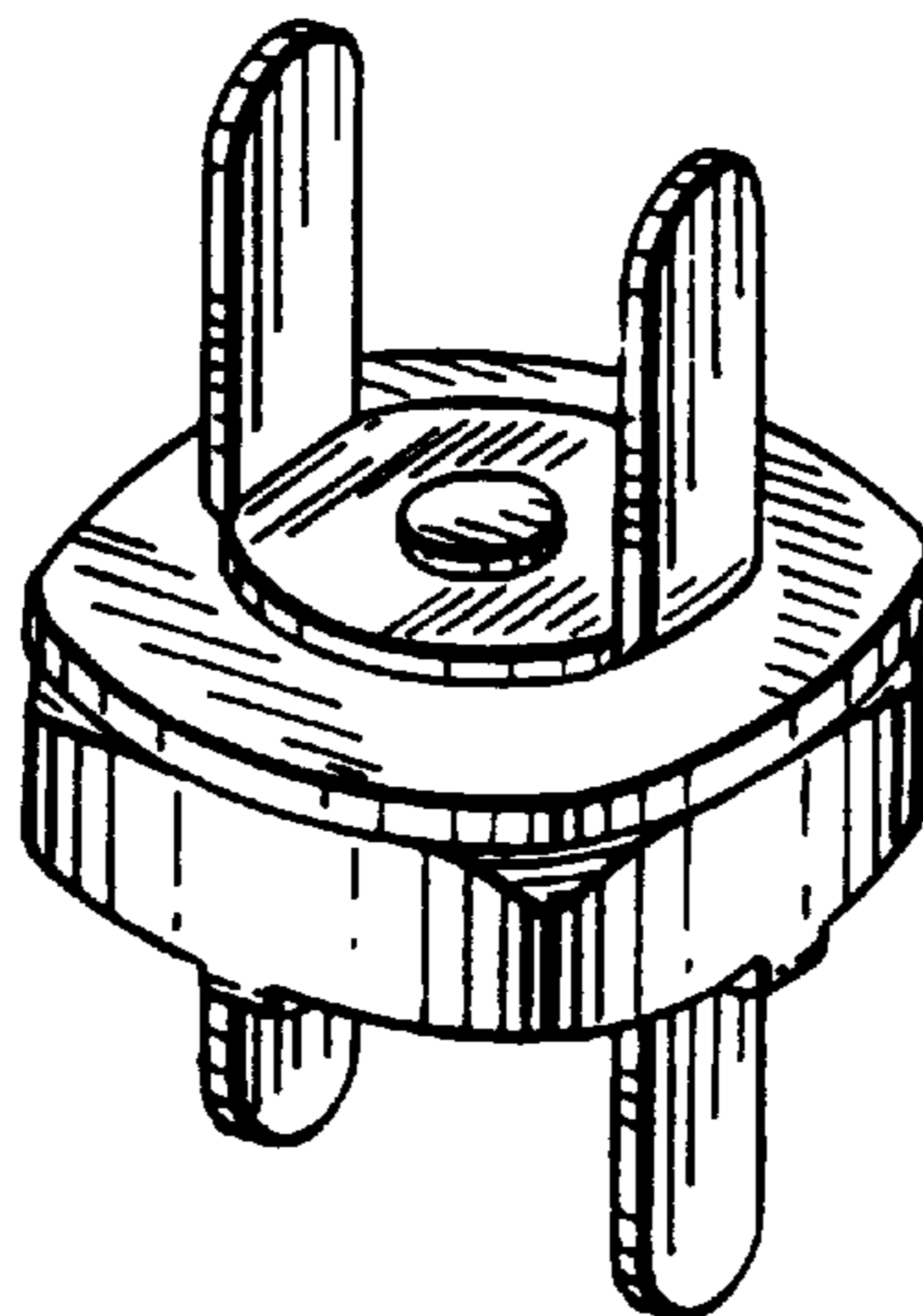
[57] **CLAIM**

The ornamental design for a snap fastener, as shown and described.

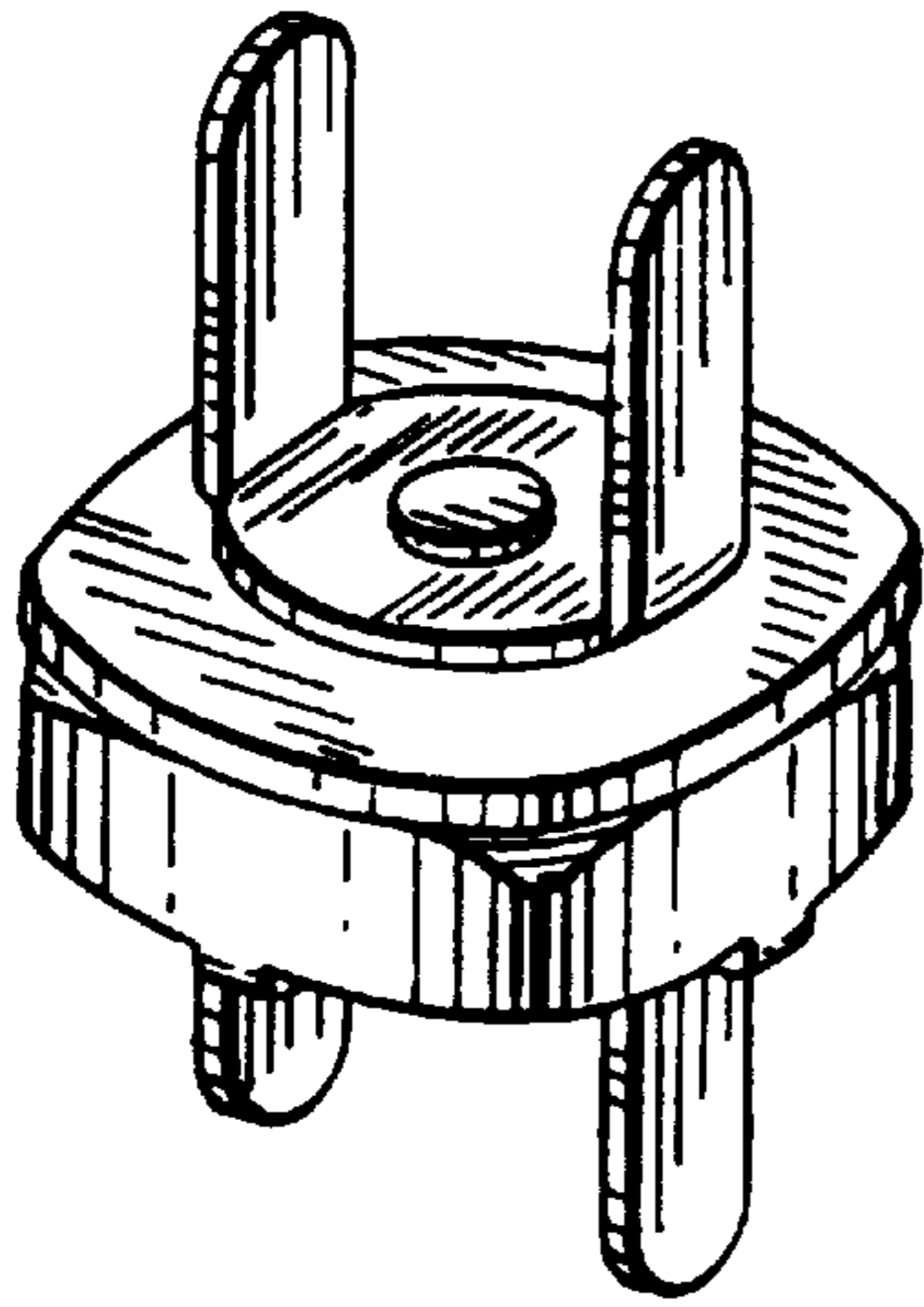
**DESCRIPTION**

FIG. 1 is a top perspective view of a snap fastener according to my invention in assembled form;  
 FIG. 2 is a view analogous to FIG. 1, but showing the fastener in an exploded view;  
 FIG. 3 is a bottom perspective view of the fastener of FIG. 1;  
 FIG. 4 is a view analogous to FIG. 3, but showing the fastener in an exploded view;  
 FIG. 5 is a top plan view of the assembled fastener of FIG. 1;  
 FIG. 6 is a bottom plan view of the assembled fastener of FIG. 1;  
 FIG. 7 is a front elevational view of the assembled fastener of FIG. 1;  
 FIG. 8 is a right side elevational view of the assembled fastener of FIG. 1, the left side view being a mirror image;  
 FIG. 9 is a rear elevational view of the assembled fastener of FIG. 1;  
 FIG. 10 is a top plan view of a lower part of the fastener of FIG. 2;  
 FIG. 11 is a bottom plan view of the lower fastener part of FIG. 2;  
 FIG. 12 is a front elevational view of the lower fastener part of FIG. 2;  
 FIG. 13 is a right side elevational view of the lower fastener part of FIG. 2, the left side view being a mirror image;  
 FIG. 14 is a rear elevational view of the lower fastener part of FIG. 2;  
 FIG. 15 is a top plan view of an upper part of the fastener of FIG. 2;  
 FIG. 16 is a bottom plan view of the upper part of the fastener of FIG. 2;  
 FIG. 17 is a front elevational view of the upper part of the fastener of FIG. 2, the rear view being a mirror image; and,  
 FIG. 18 is a right side elevational view of the upper part of the fastener of FIG. 2, the left side view being a mirror image.

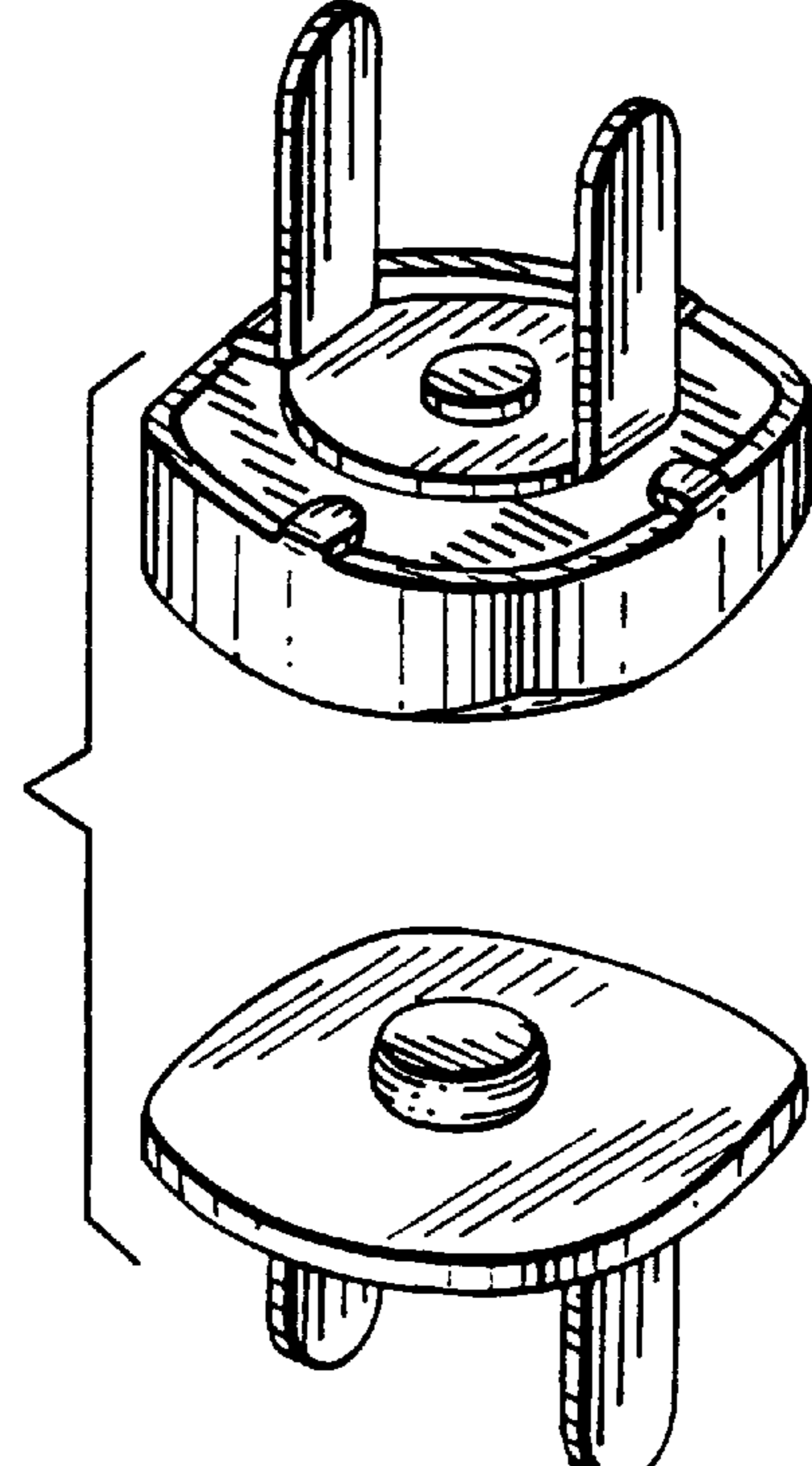
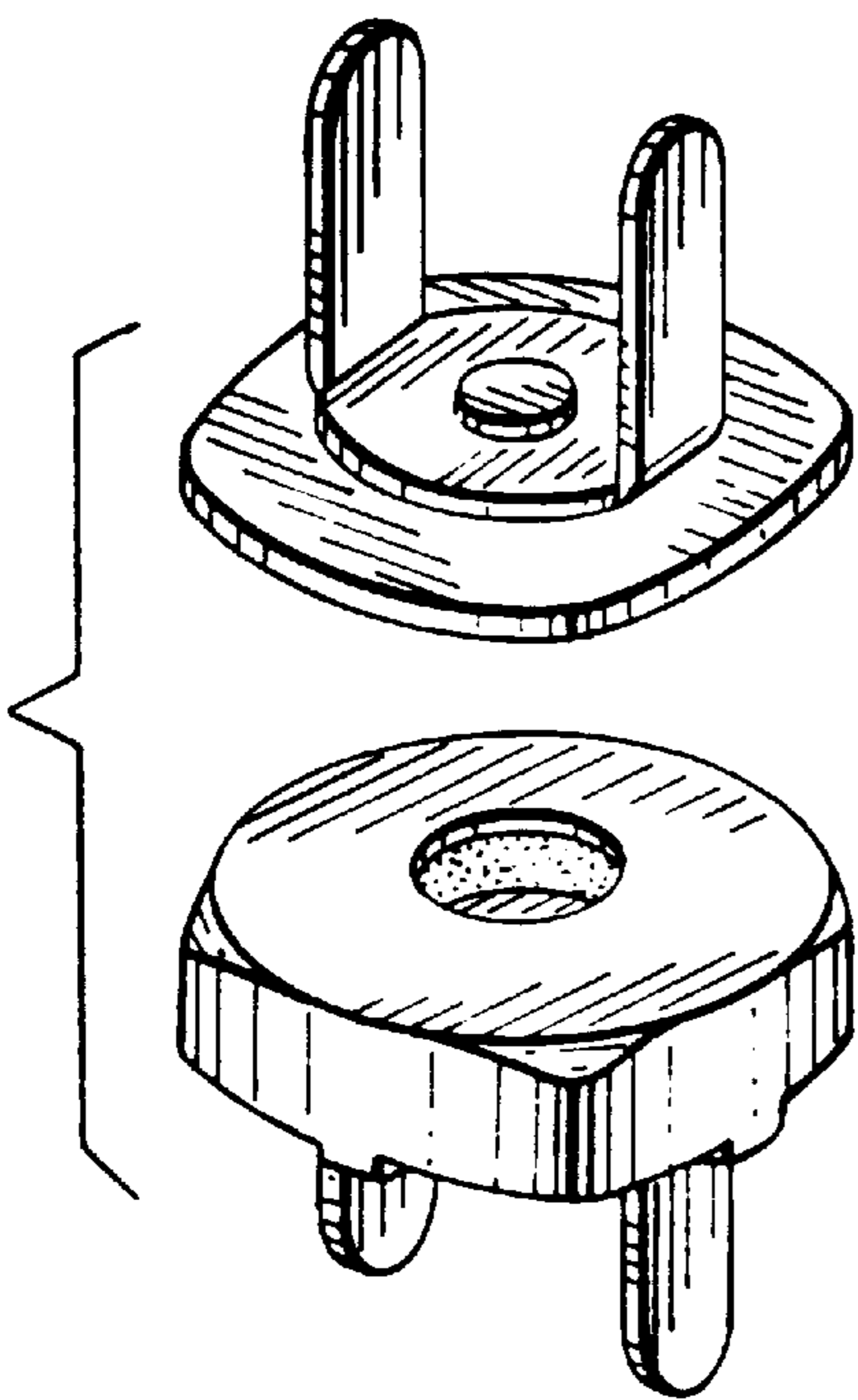
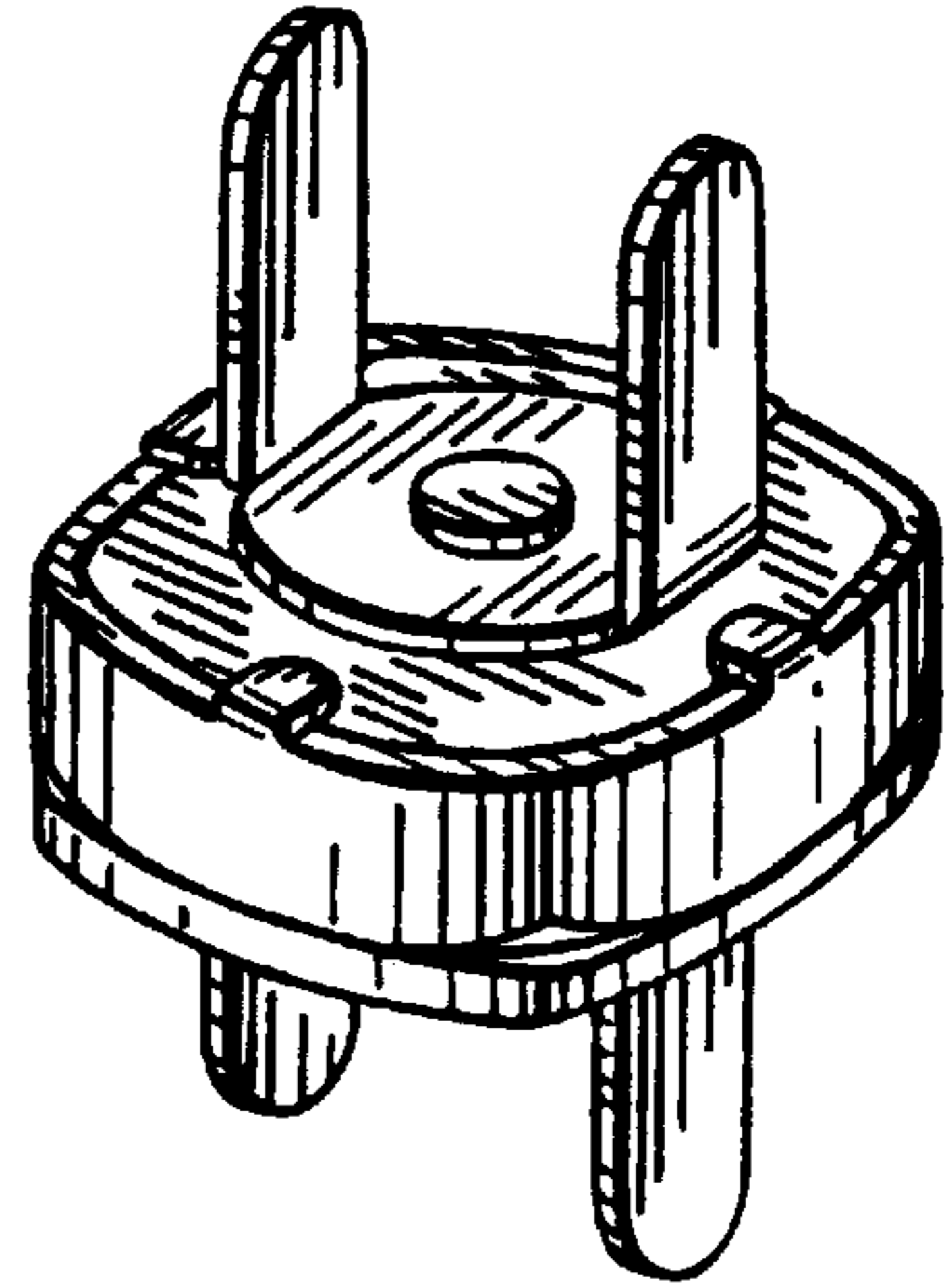
**1 Claim, 4 Drawing Sheets**



*FIG. 1*



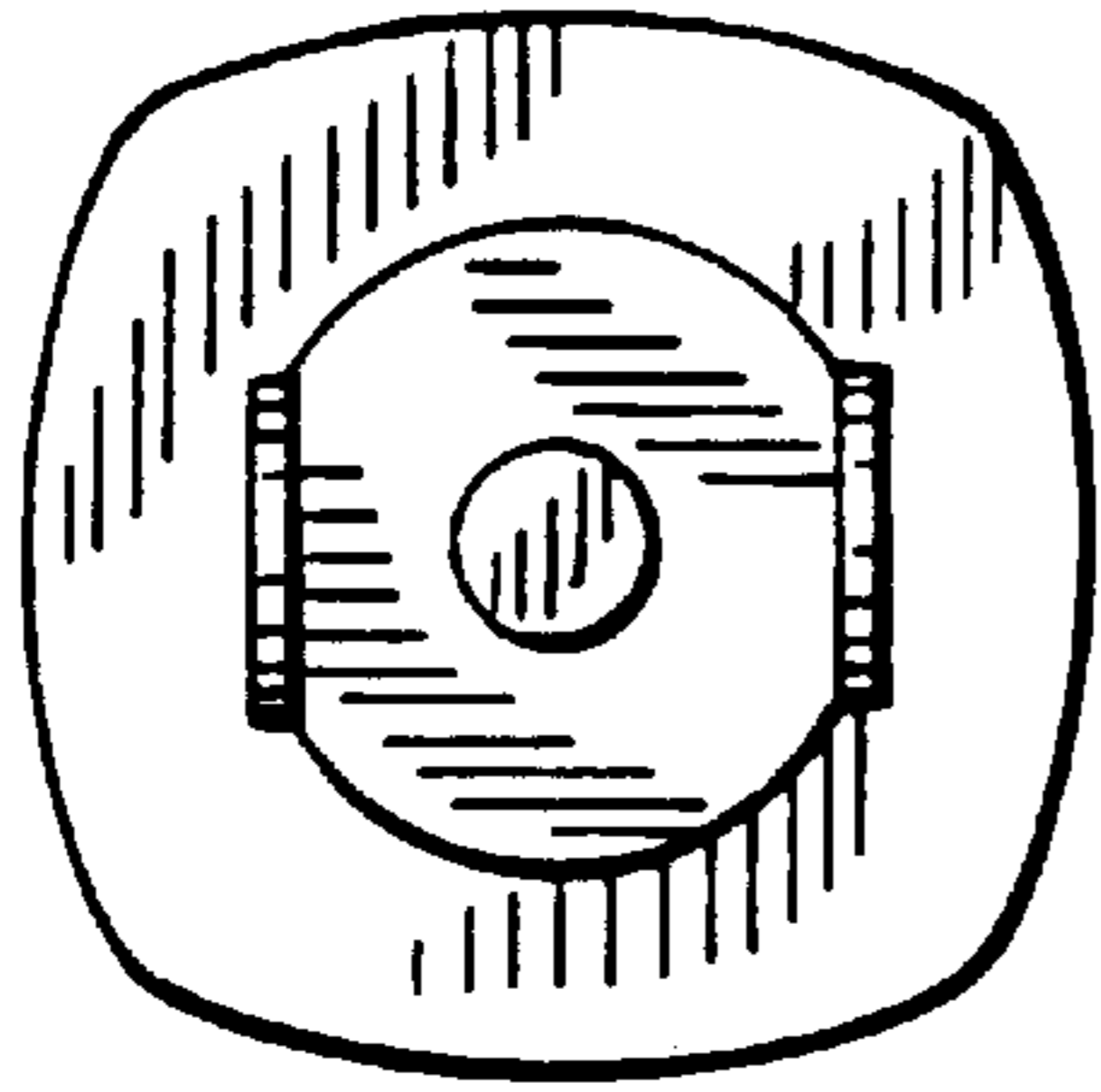
*FIG. 3*



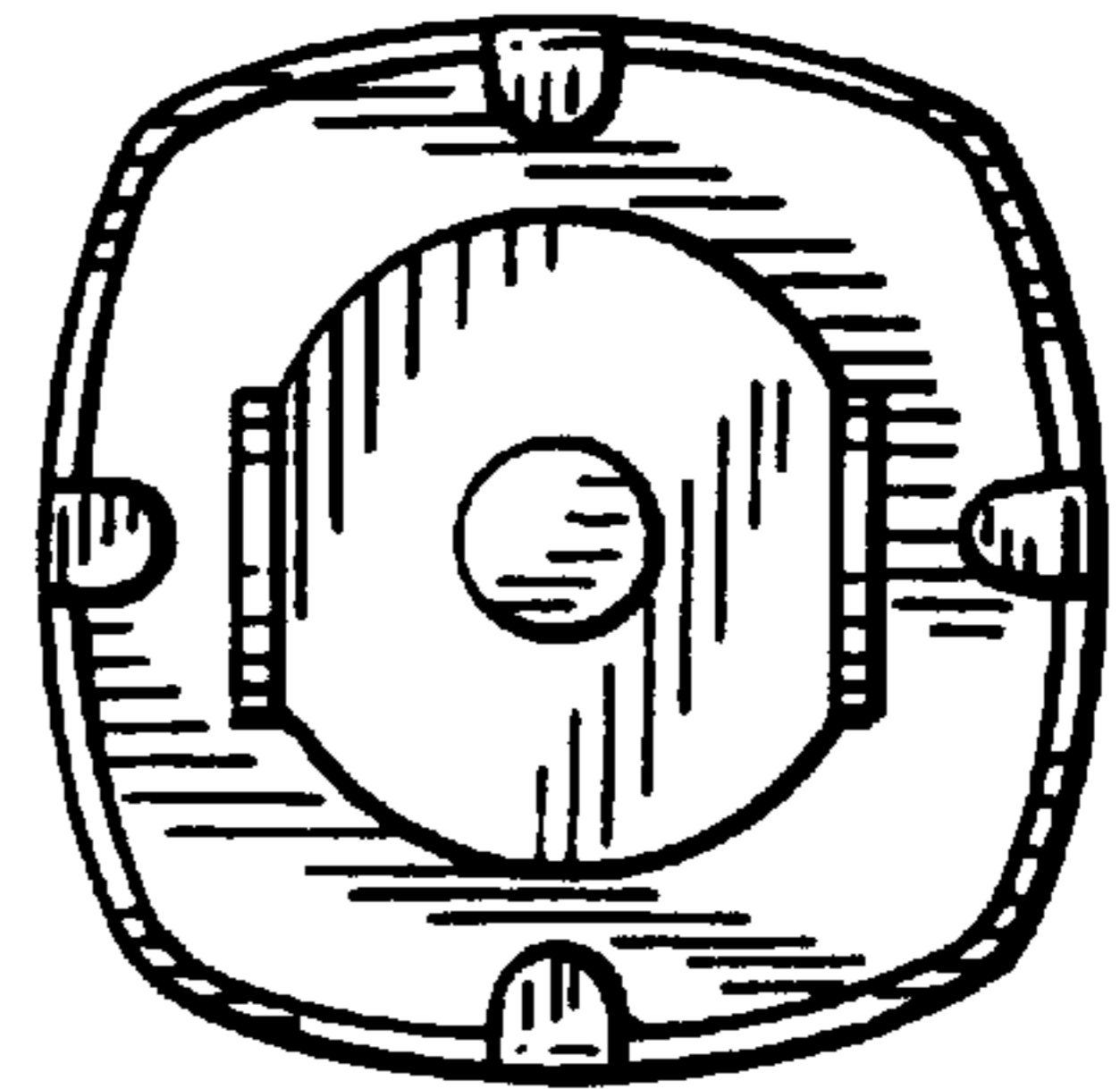
*FIG. 2*

*FIG. 4*

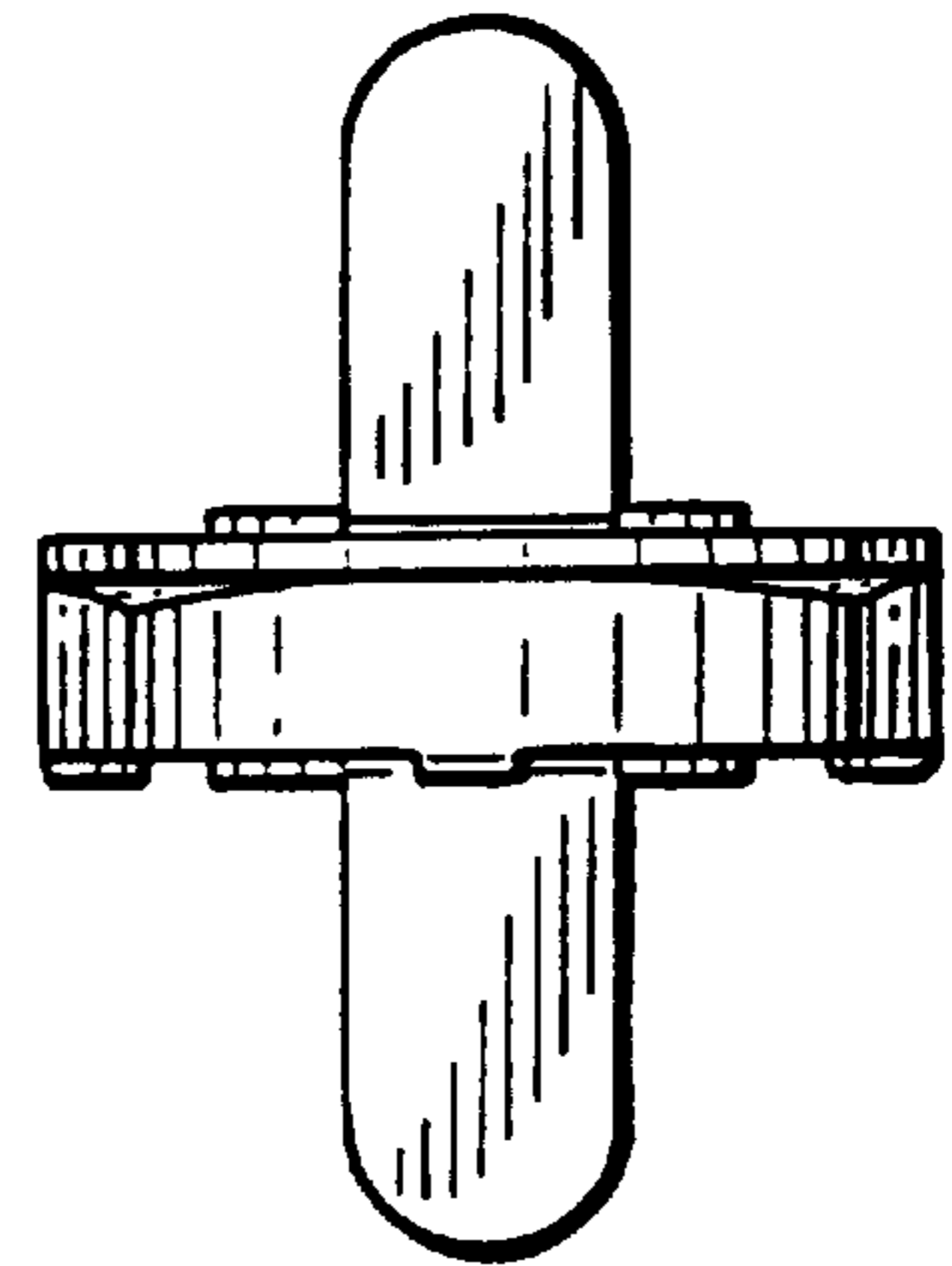
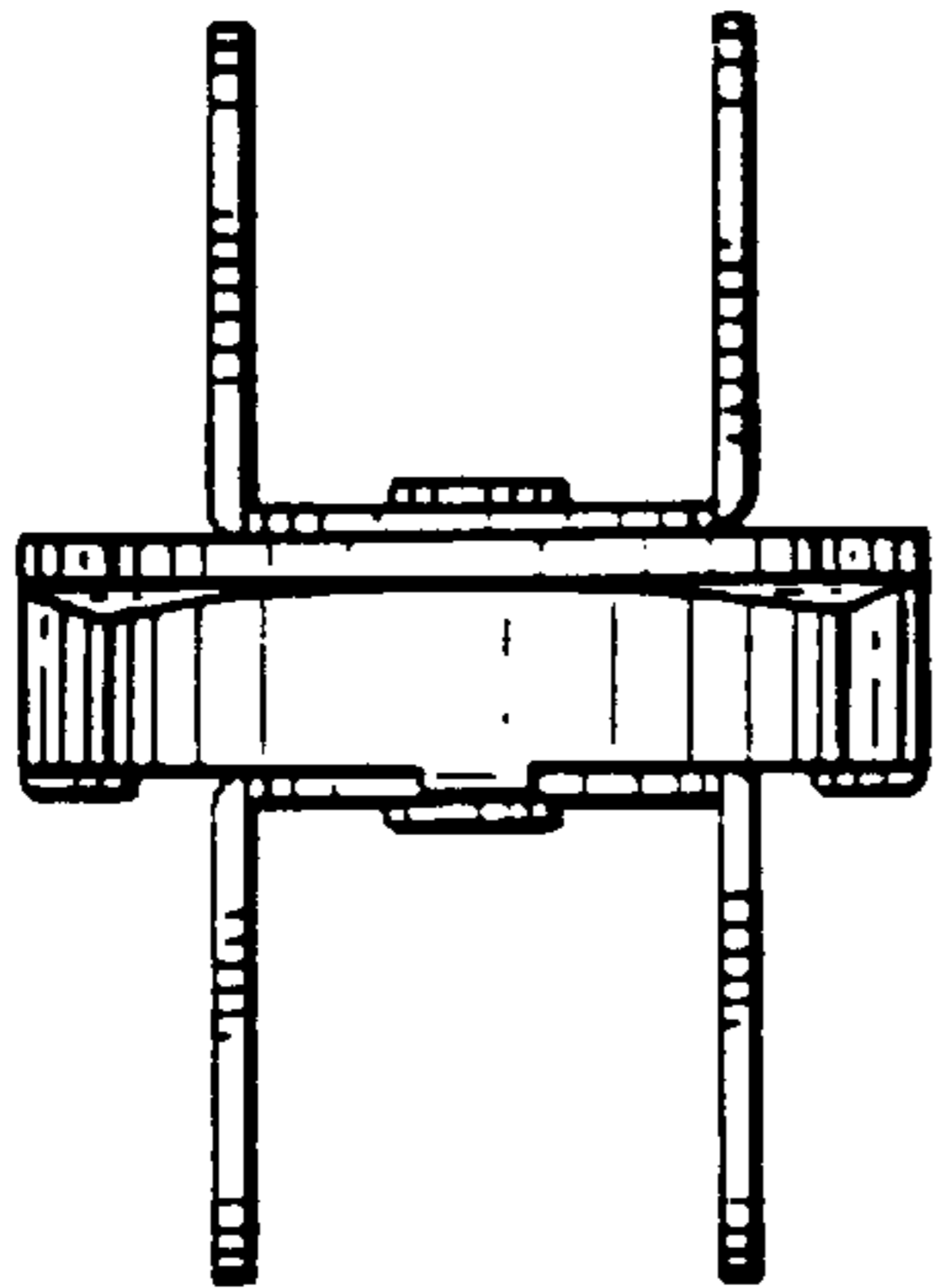
*FIG. 5*



*FIG. 6*

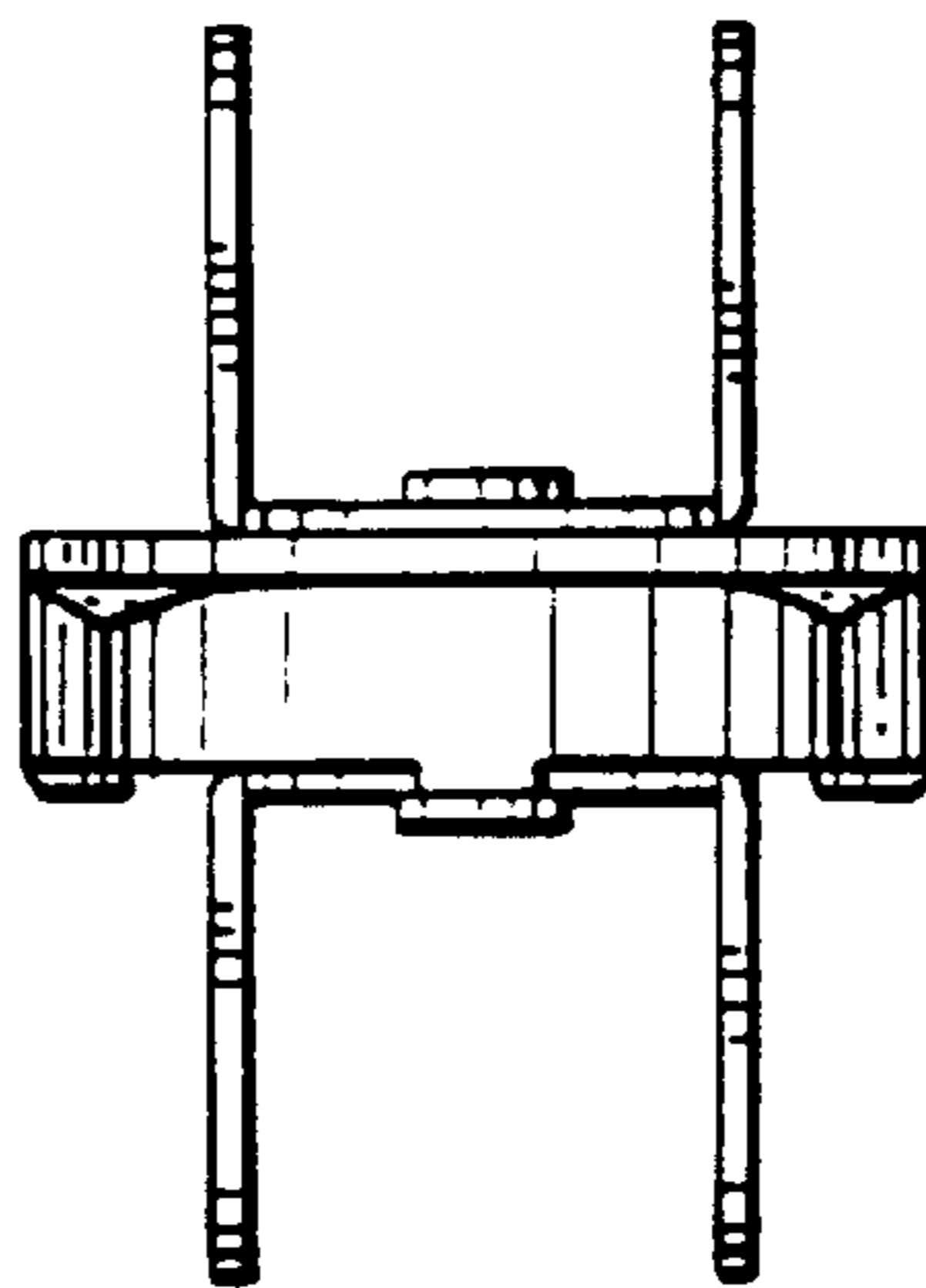


*FIG. 7*

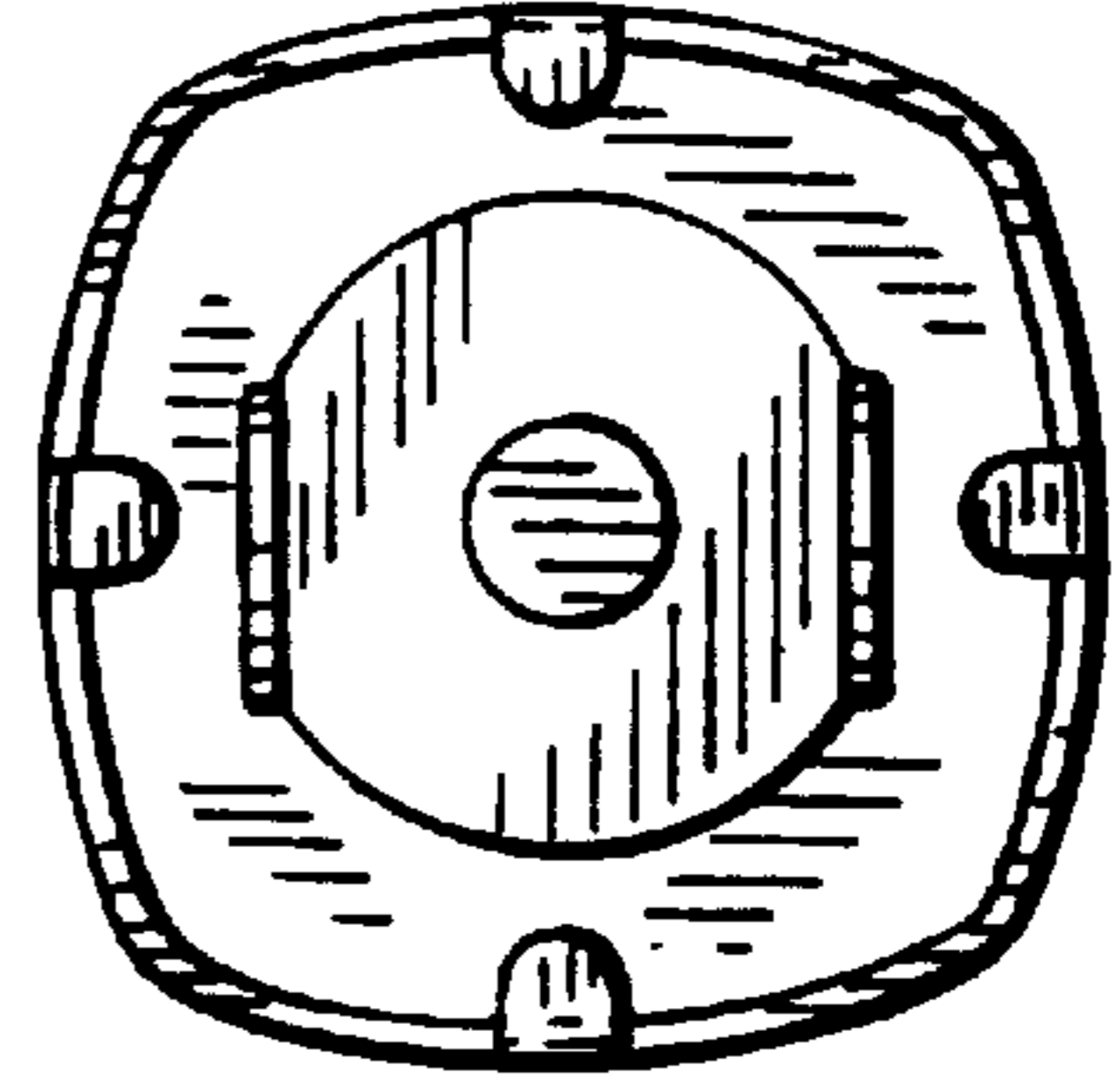
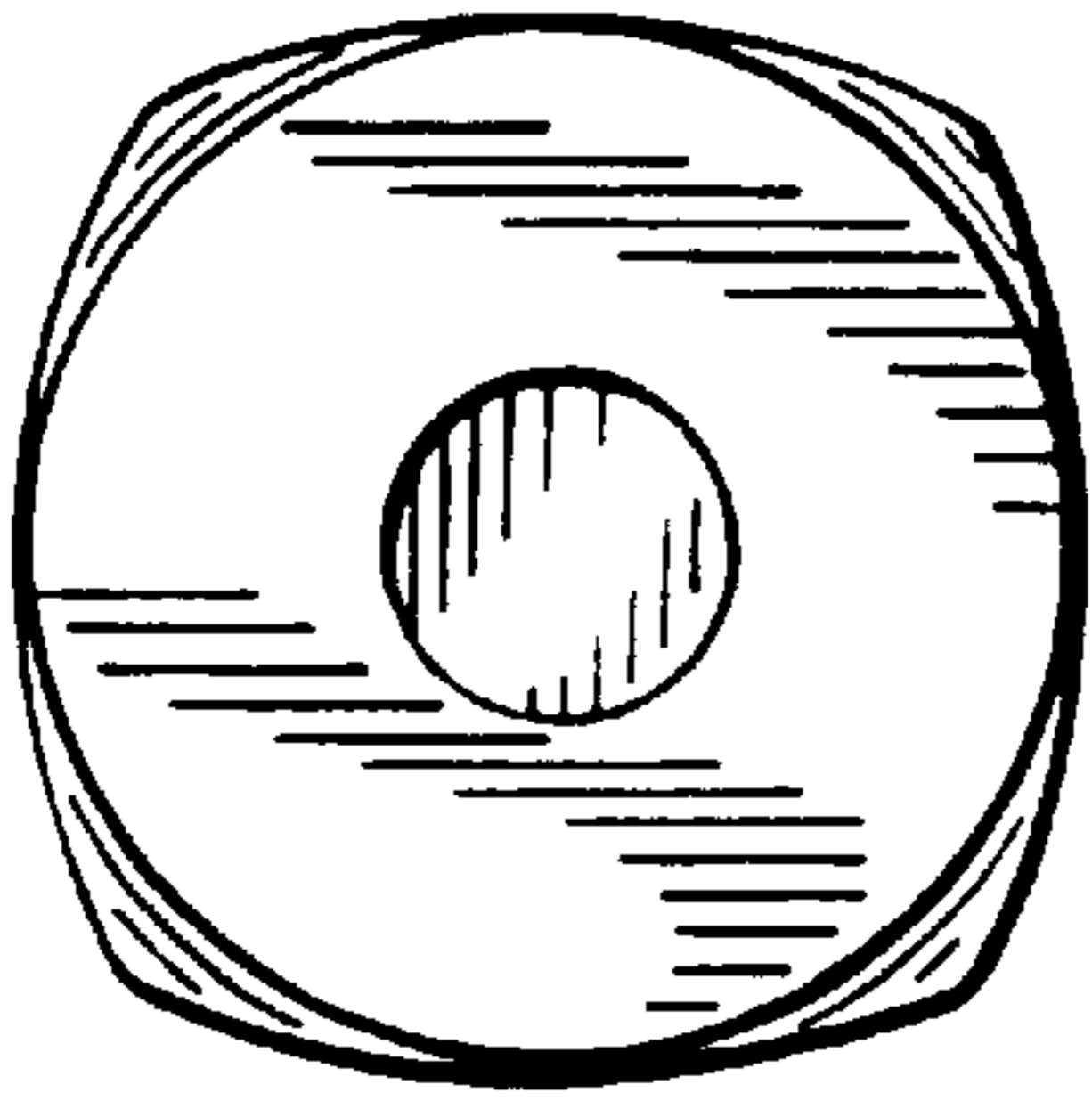


*FIG. 8*

*FIG. 9*

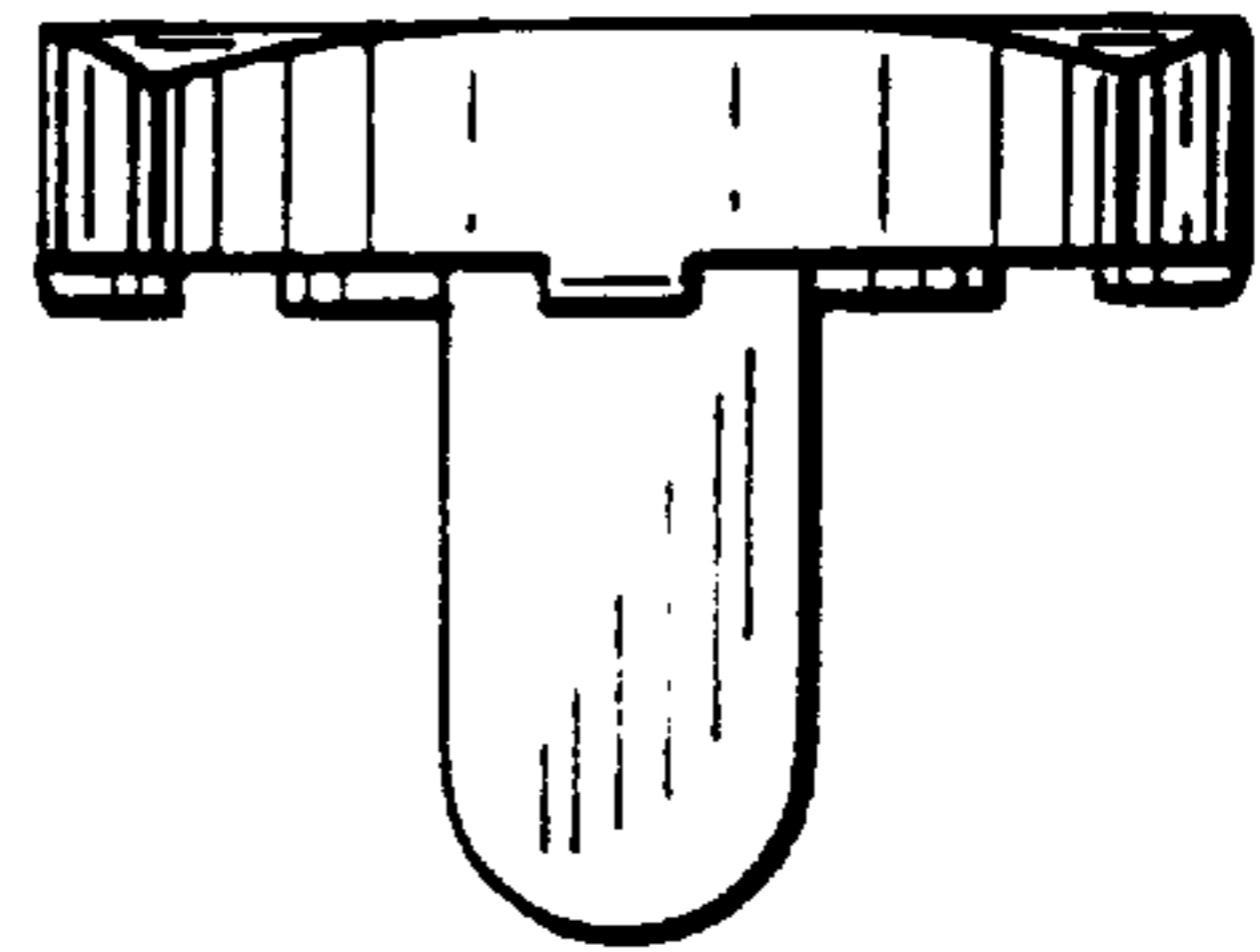
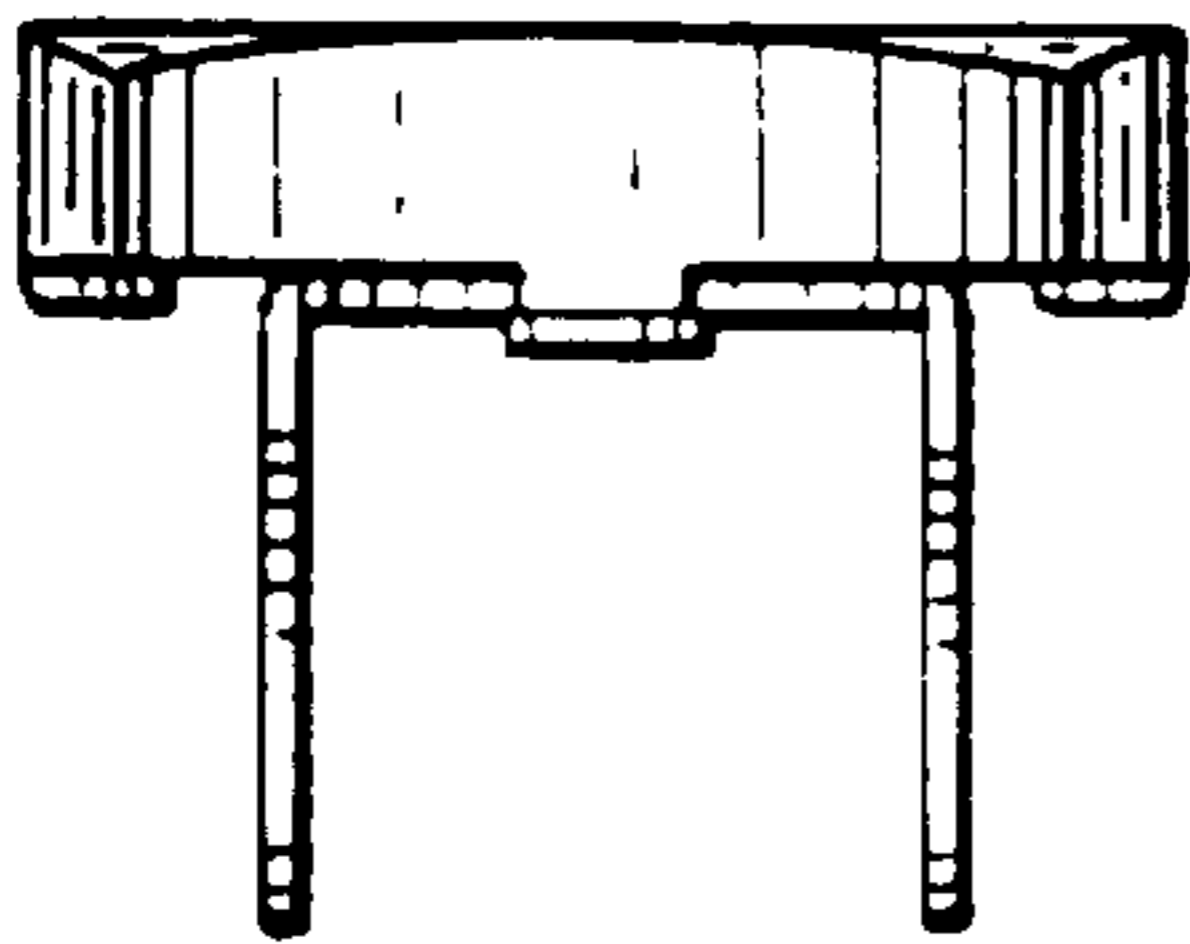


*FIG. 10*



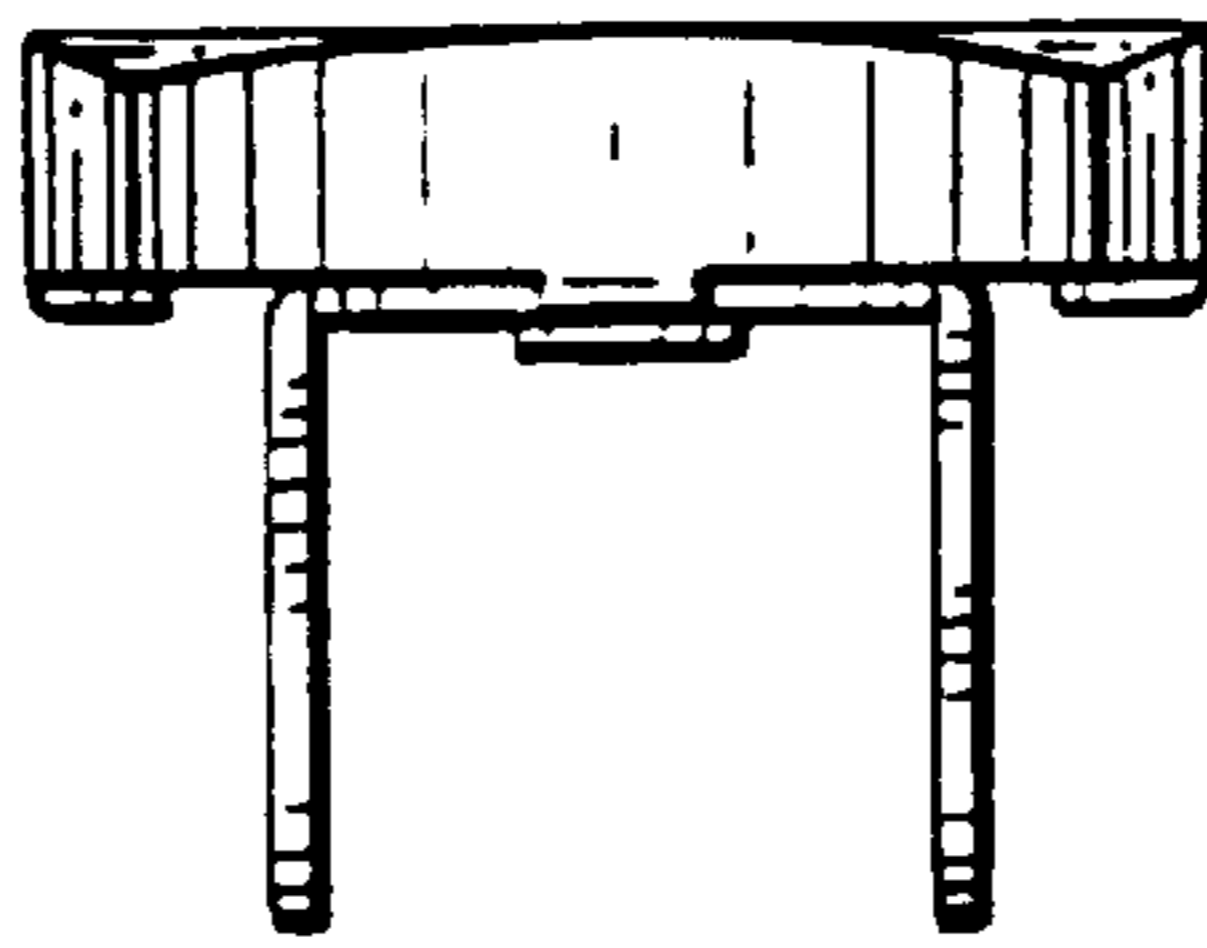
*FIG. 11*

*FIG. 12*

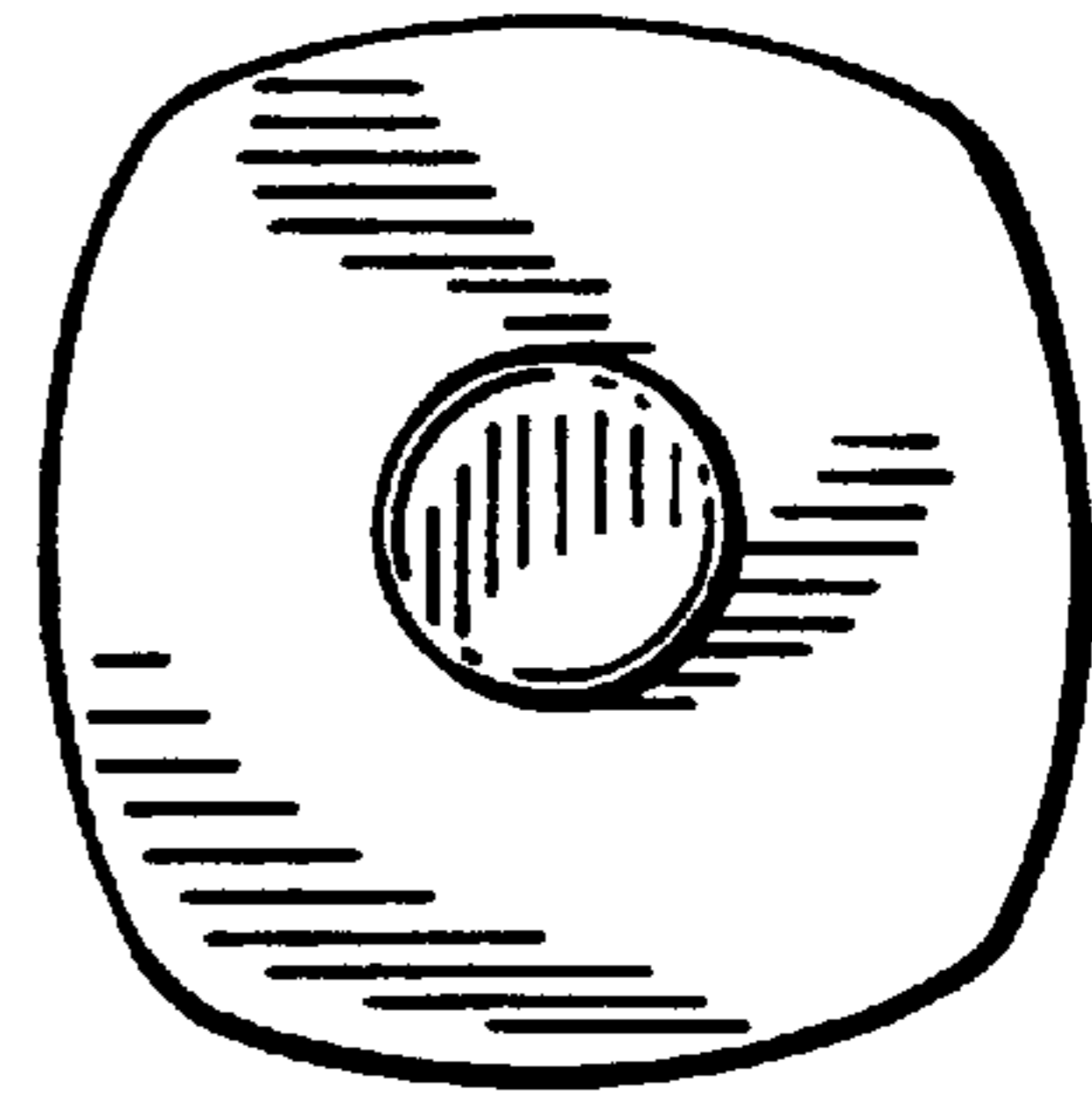
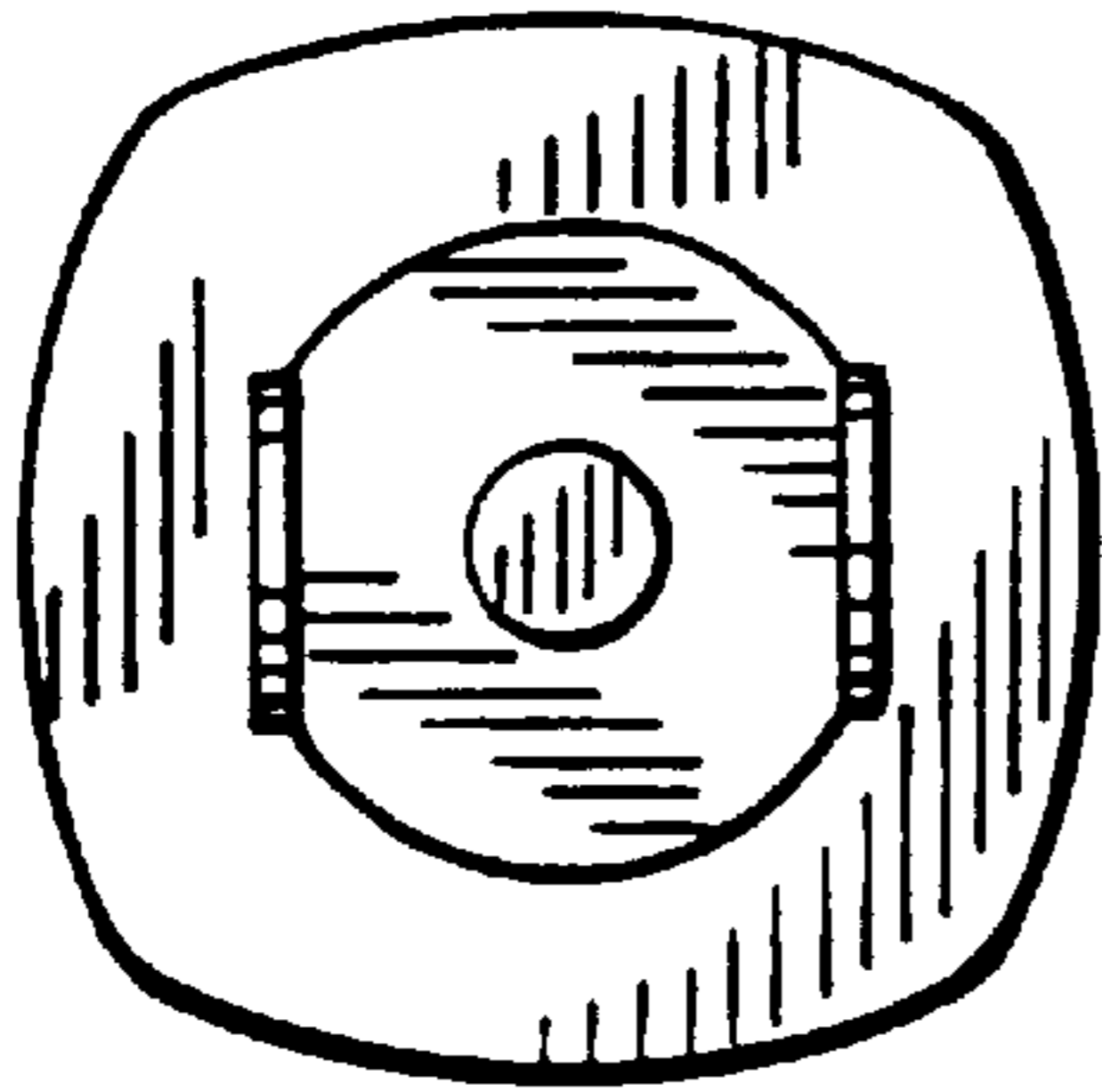


*FIG. 13*

*FIG. 14*

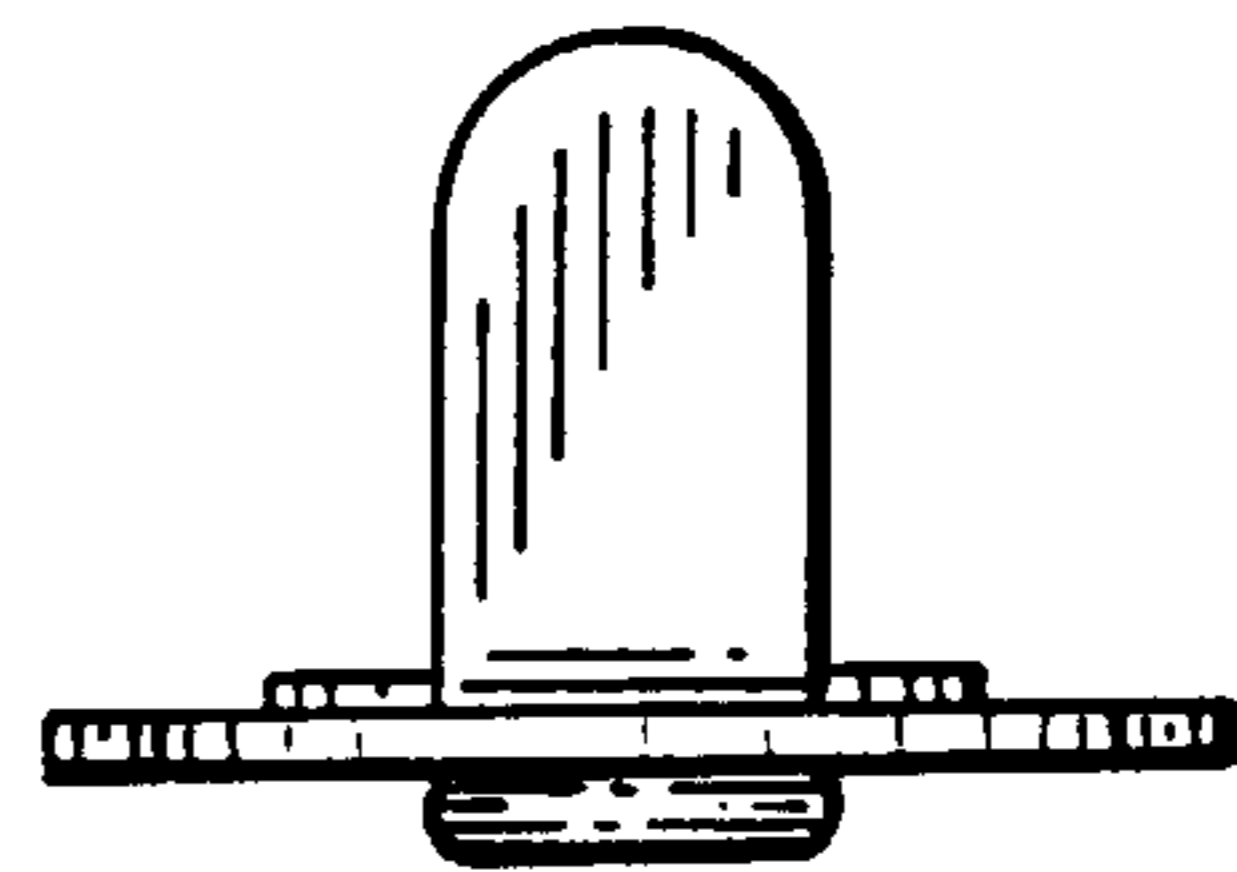
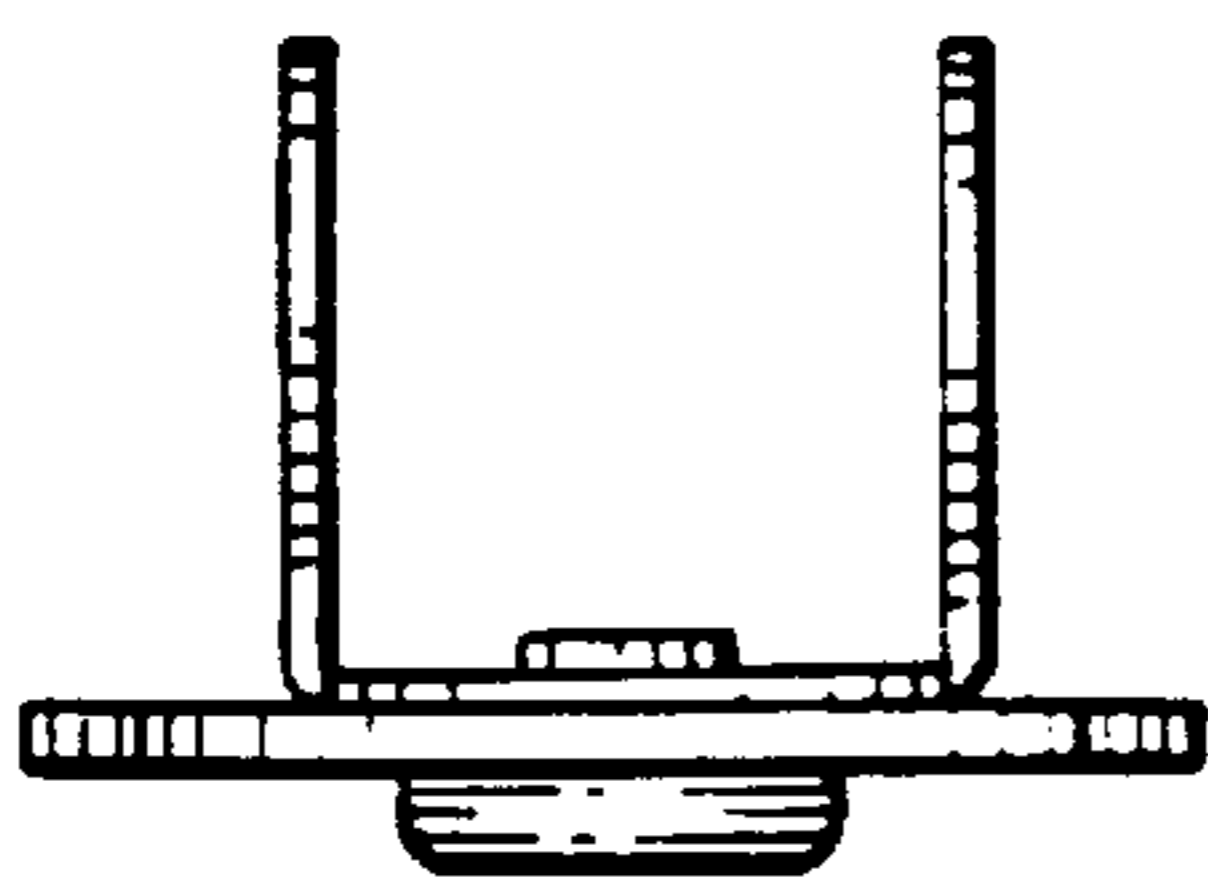


*FIG. 15*



*FIG. 16*

*FIG. 17*



*FIG. 18*