



US00D404992S

United States Patent [19] Sittig

[11] **Patent Number:** **Des. 404,992**

[45] **Date of Patent:** ****Feb. 2, 1999**

[54] **BED RISER SUPPORT**

[76] Inventor: **Wayne Sittig**, 25 Ferrante Ave.,
Greenfield, Mass. 01301

[**] Term: **14 Years**

[21] Appl. No.: **77,275**

[22] Filed: **Oct. 1, 1997**

[51] **LOC (6) Cl.** **08-05**

[52] **U.S. Cl.** **D8/374**

[58] **Field of Search** D8/374; 5/509.1;
248/346.11, 188.8, 188.9, 188.3; D6/495

[56] **References Cited**

U.S. PATENT DOCUMENTS

D. 336,843	6/1993	Hurst	D8/374
D. 338,360	8/1993	Petersen	D6/495
4,312,088	1/1982	Webb .	
4,830,320	5/1989	Bellows .	
5,224,227	7/1993	McGinley .	
5,333,825	8/1994	Christensen .	

5,345,631	9/1994	Saperstein .	
5,492,292	2/1996	Richards .	
5,615,429	4/1997	Williams	5/509.1

Primary Examiner—Holly Baynham
Attorney, Agent, or Firm—Steven N. Fox, Esq.

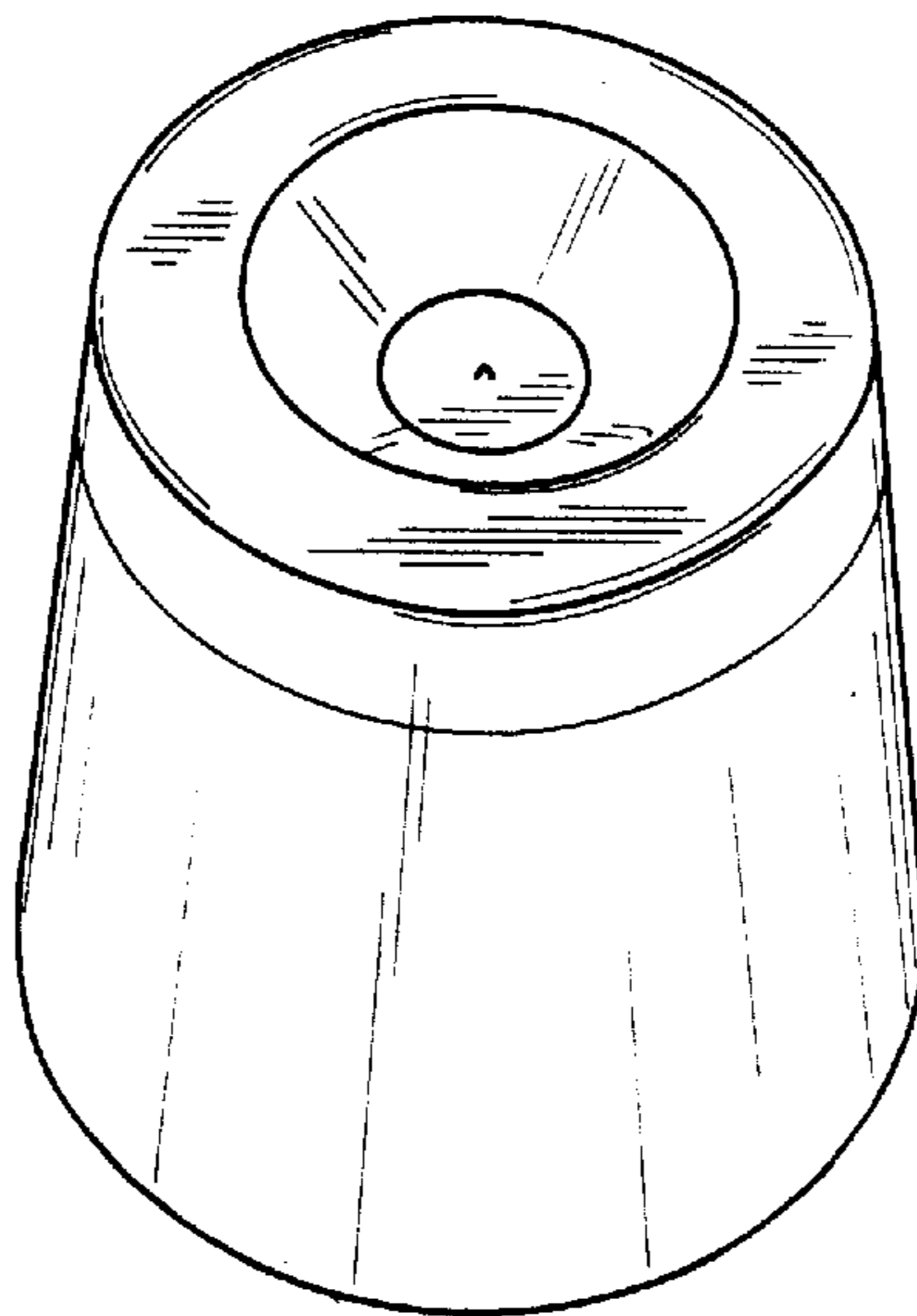
[57] **CLAIM**

The ornamental design of a bed riser support, as shown and described.

DESCRIPTION

FIG. 1 is a perspective view of first, second and third embodiments of the present invention;
FIG. 2 is a front elevation view of the first, second and third embodiments of the present invention;
FIG. 3 is a bottom view of the first embodiment of the present invention;
FIG. 4 is a bottom view of the second embodiment of the present invention; and,
FIG. 5 is a perspective view of the third embodiment of the present invention showing a solid bottom view.

1 Claim, 1 Drawing Sheet



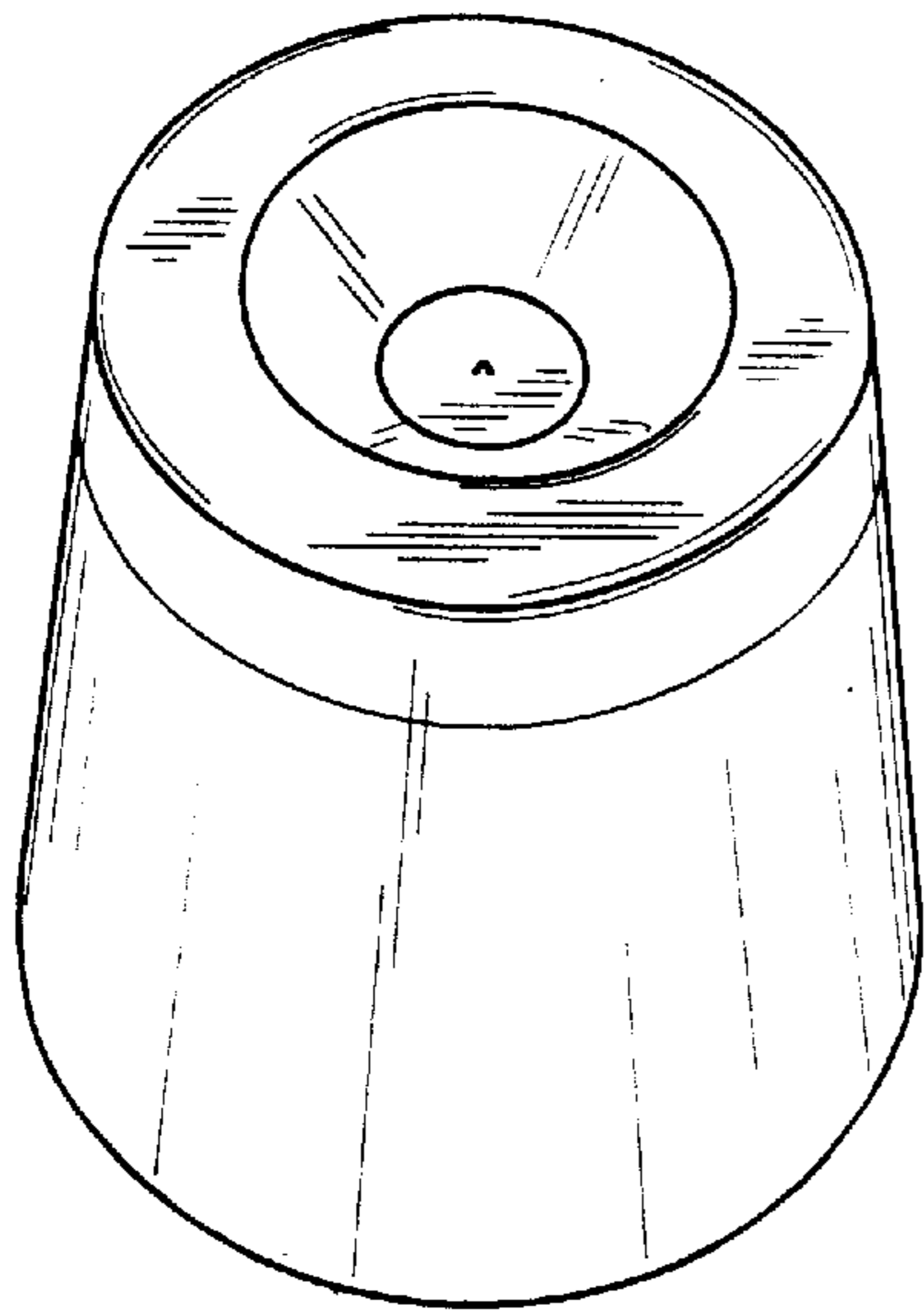


FIG. 1

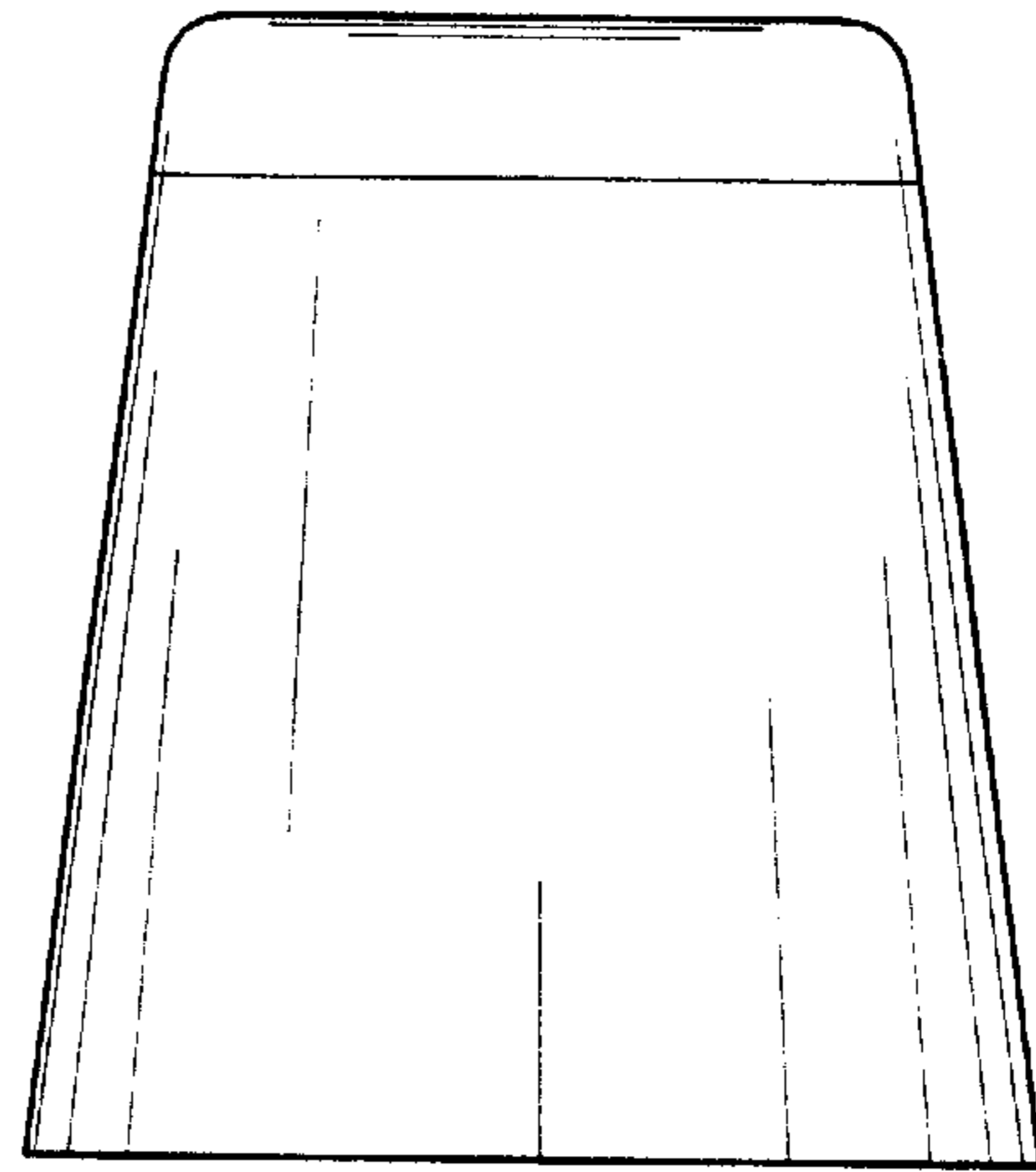


FIG. 2

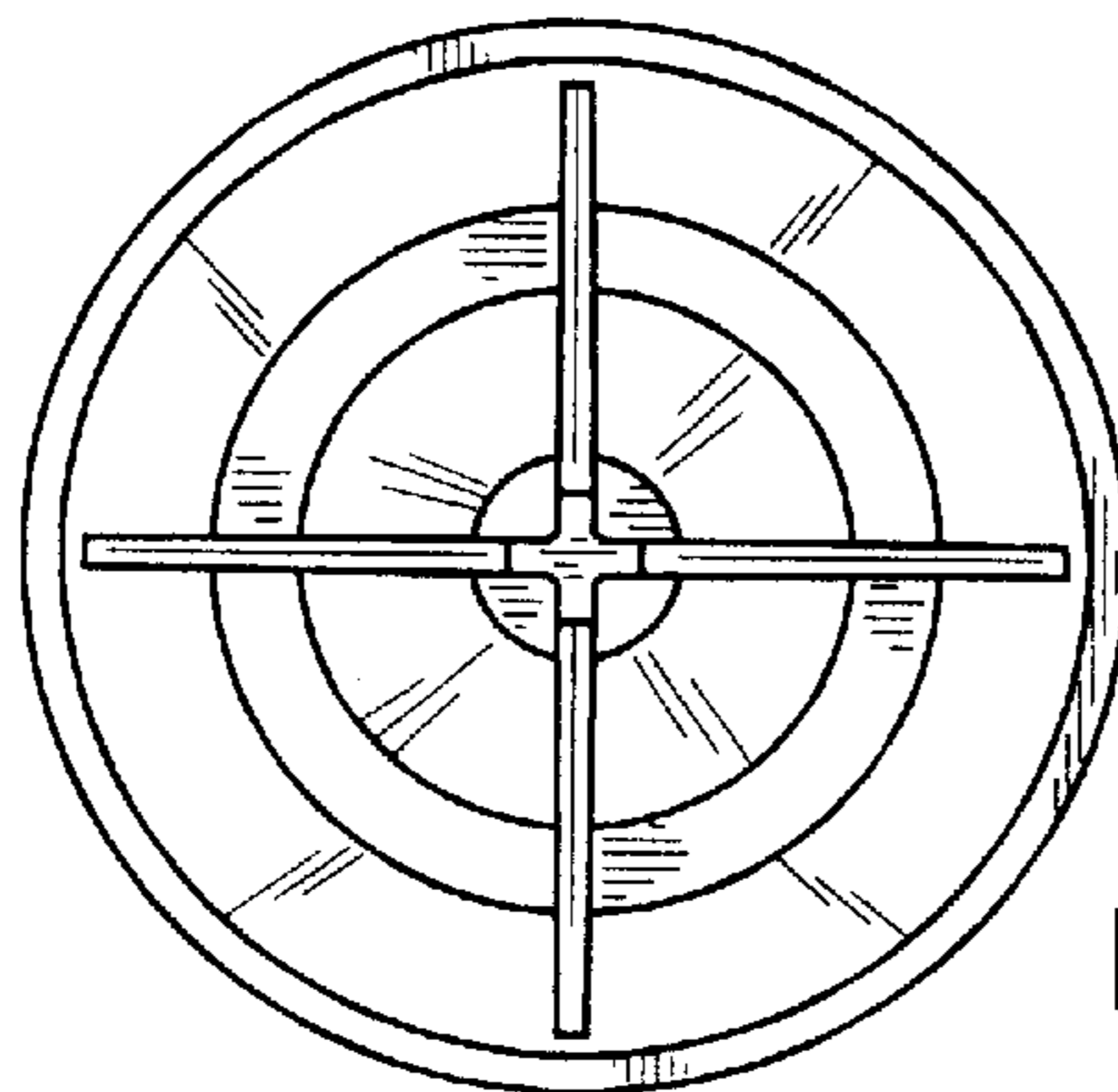


FIG. 3

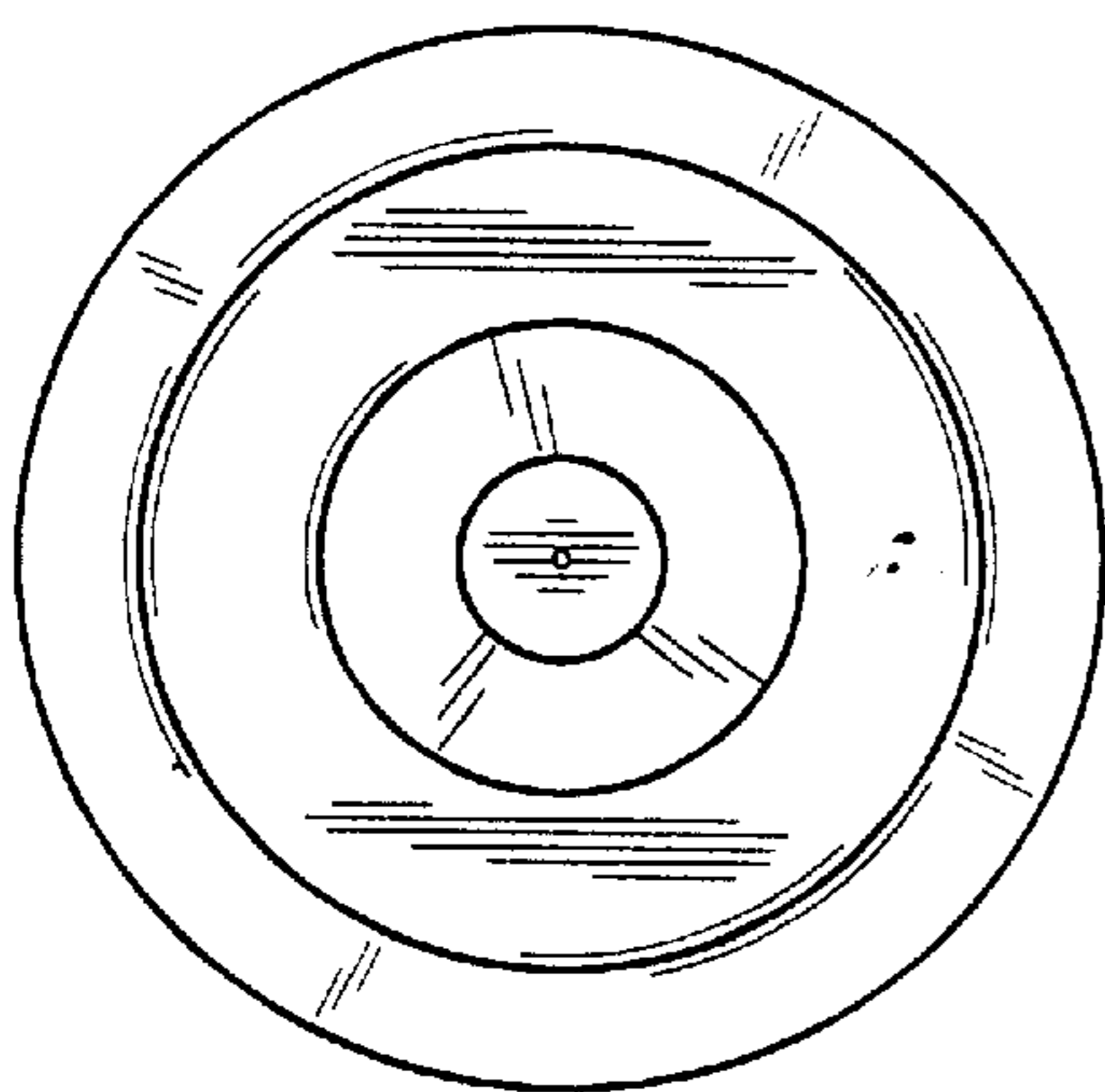


FIG. 4

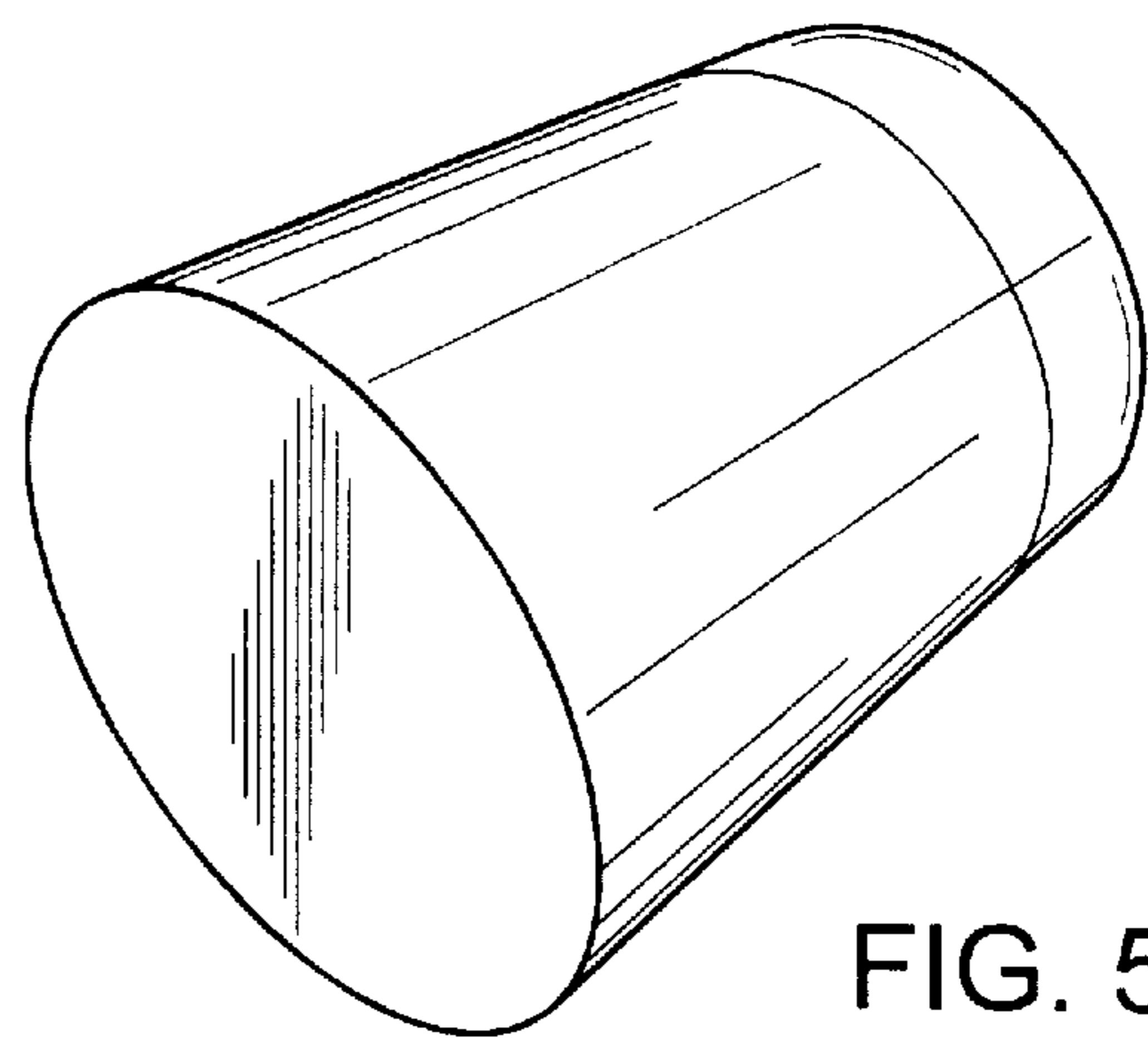


FIG. 5