



US00D404991S

United States Patent [19]

Yamada

[11] **Patent Number: Des. 404,991**

[45] **Date of Patent: **Feb. 2, 1999**

[54] **HANGING BRACKET FOR A PICTURE FRAME**

4,641,441 2/1987 Roth 248/496
5,269,487 12/1993 Heitzman 248/491

[76] Inventor: **Hiroshi Yamada**, 5i-3, 4-chome, Yamaga-cho, Yao-shi, Osaka, Japan

Primary Examiner—Holly Baynham
Attorney, Agent, or Firm—Moonray Kojima

[**] Term: **14 Years**

[57] **CLAIM**

[21] Appl. No.: **80,080**

The ornamental design for a hanging bracket for a picture frame, as shown and described.

[22] Filed: **Nov. 24, 1997**

DESCRIPTION

[51] **LOC (6) Cl.** **08-05**

[52] **U.S. Cl.** **D8/373**

[58] **Field of Search** D8/349, 354, 373; 248/496-497, 489, 475.1, 491

FIG. 1 is a perspective view of a hanging bracket for a picture frame;
FIG. 2 is a top plan view thereof;
FIG. 3 is a bottom plan view thereof;
FIG. 4 is a left side elevational view thereof;
FIG. 5 is a front elevational view thereof; and,
FIG. 6 is a cross sectional view thereof, taken along 6—6 of FIG. 2.

[56] **References Cited**

U.S. PATENT DOCUMENTS

D. 341,538 11/1993 Paul D8/373
894,817 8/1908 Copeland 248/496
1,147,863 7/1915 Hickerson et al. 248/489

1 Claim, 2 Drawing Sheets

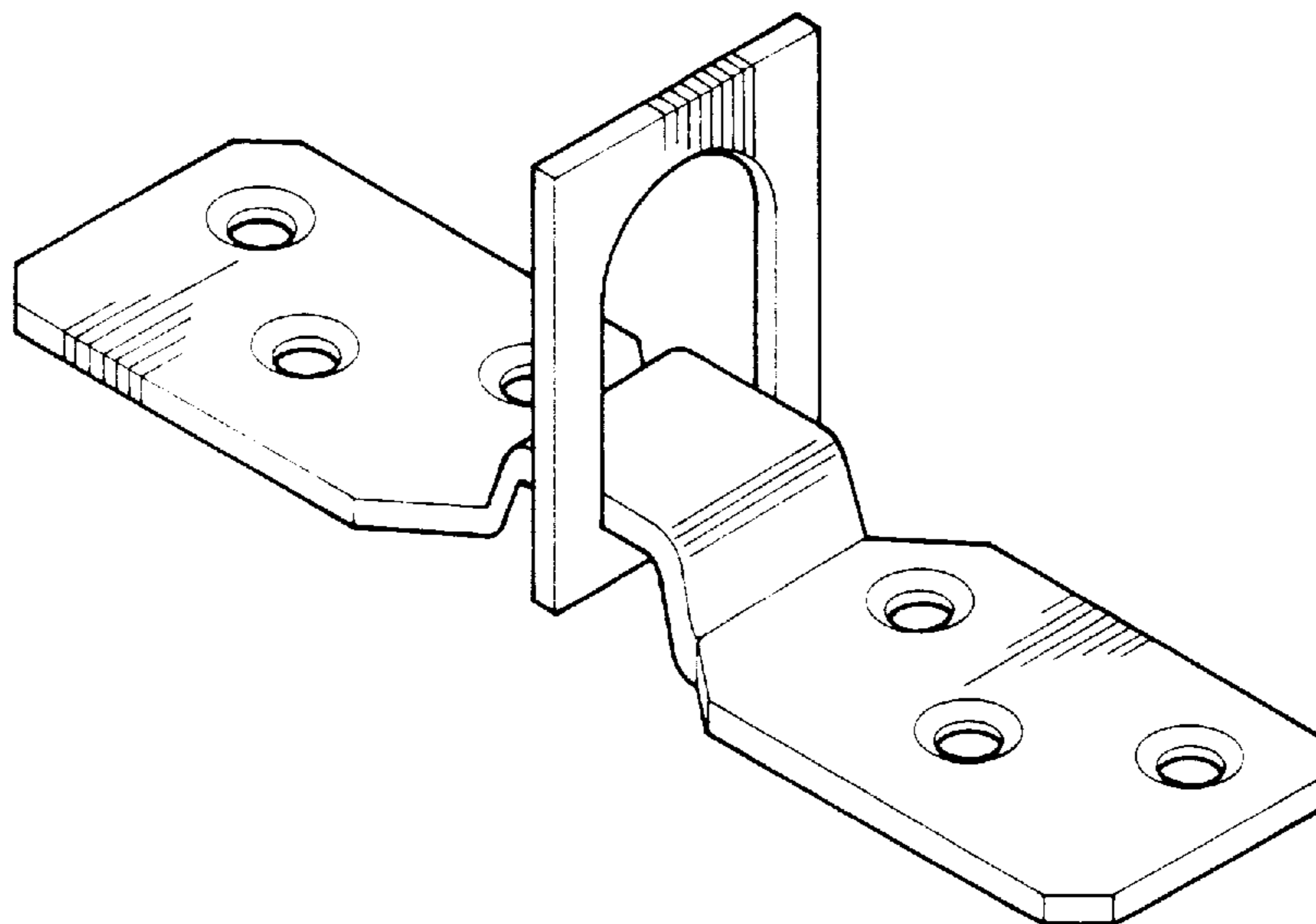


FIG. 1

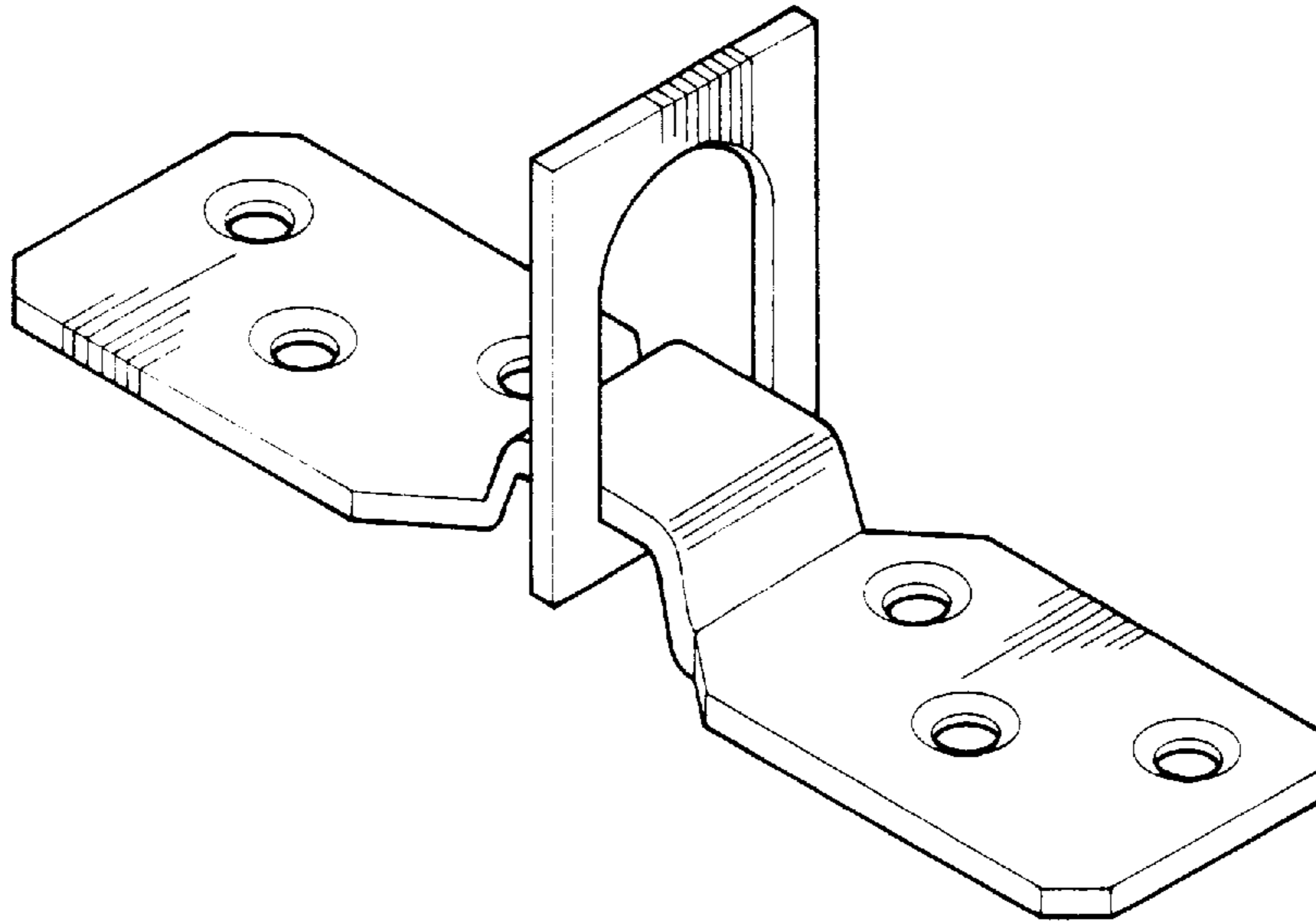


FIG. 5

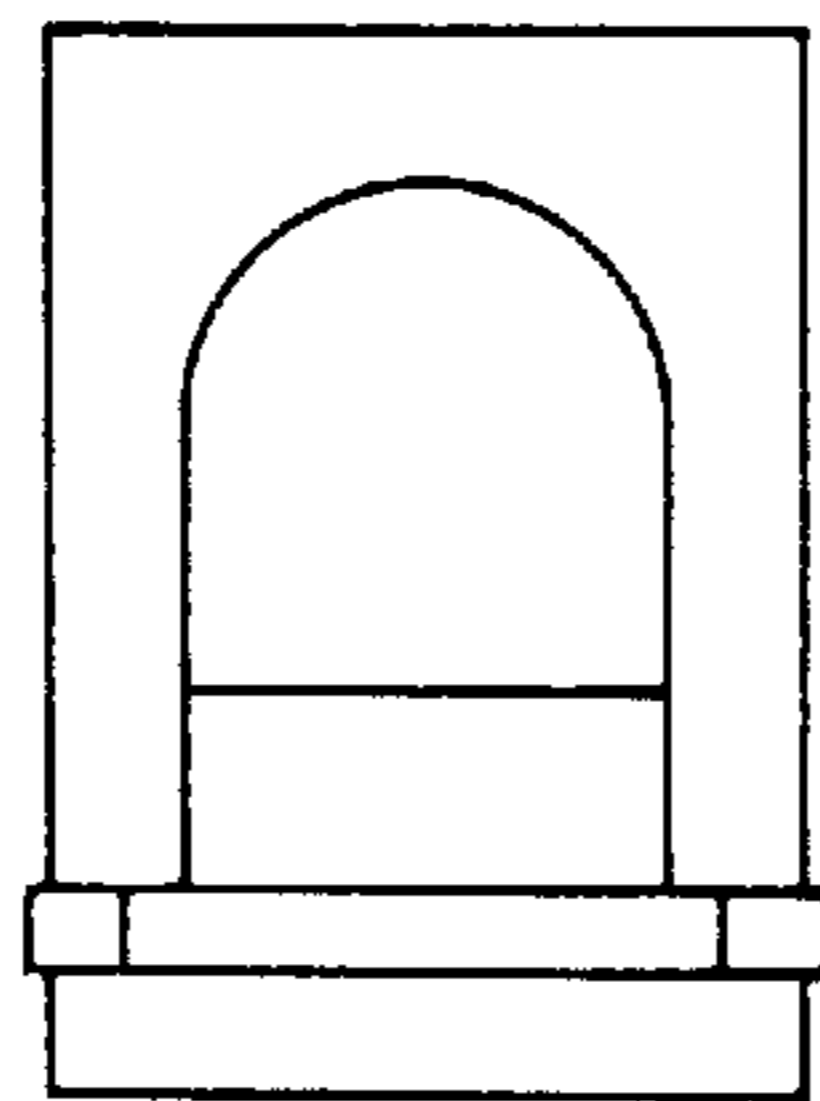


FIG. 2

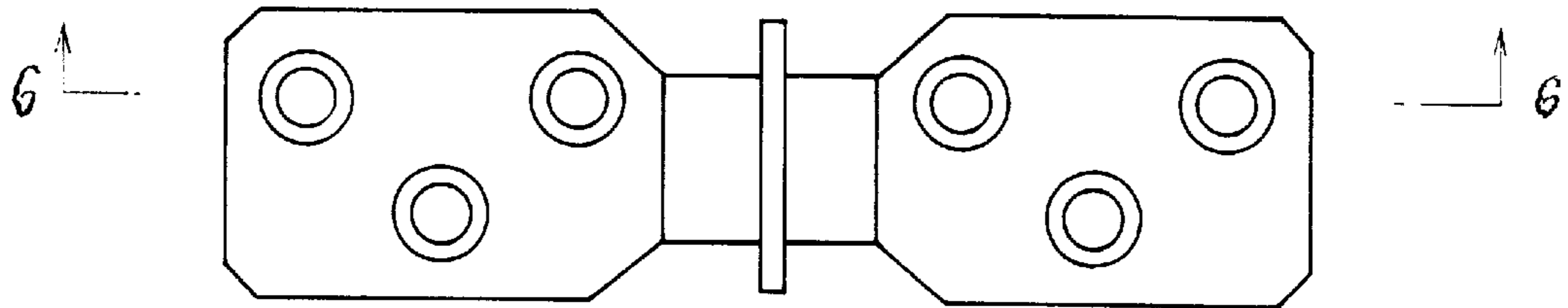


FIG. 3

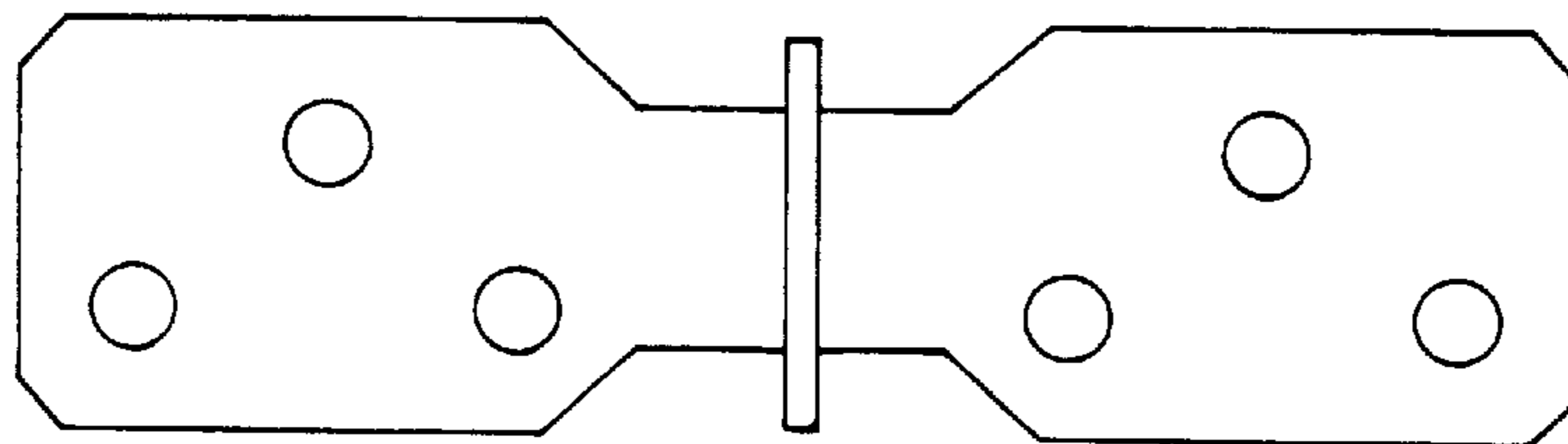


FIG. 4

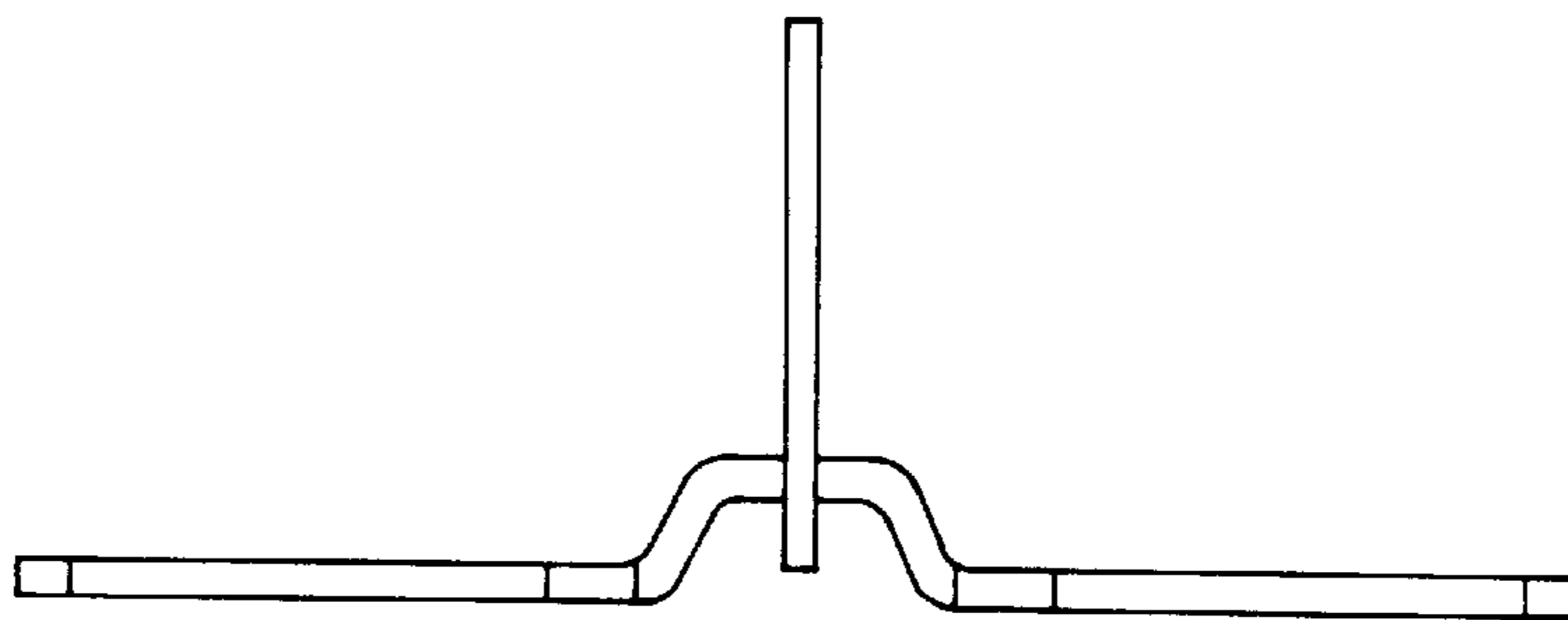


FIG. 6

