



US00D404987S

United States Patent [19]

[11] **Patent Number: Des. 404,987**

Larimer

[45] **Date of Patent: **Feb. 2, 1999**

[54] **COMBINATION CORK PULLER AND FOIL CUTTER**

4,800,784	1/1989	Allen	81/3.36
5,351,579	10/1994	Metz et al.	81/3.2
5,363,725	11/1994	Cellini	81/3.09

[75] Inventor: **Robert W. Larimer**, New York, N.Y.

OTHER PUBLICATIONS

[73] Assignee: **Metrokane, Inc.**, New York, N.Y.

“The Faucet” pepper and salt mills by Metrokane, flyer distributed before Aug. 2, 1995.

[**] Term: **14 Years**

Primary Examiner—Caron D. Veynar
Attorney, Agent, or Firm—Saidman DesignLaw Group

[21] Appl. No.: **57,903**

[57] CLAIM

[22] Filed: **Aug. 2, 1996**

[51] **LOC (6) Cl.** **07-99**

The ornamental design for a combination cork puller and foil cutter, as shown and described.

[52] **U.S. Cl.** **D8/38; D8/42**

[58] **Field of Search** D8/33, 38, 40-43;
D7/591, 593, 594, 679; 7/151, 152, 154,
155, 156; 81/3.45, 3.47, 3.48

DESCRIPTION

[56] References Cited

U.S. PATENT DOCUMENTS

D. 281,855	12/1985	Kuhn	D8/42
D. 291,174	8/1987	Koziol	D8/38
D. 321,629	11/1991	Hollinger	D7/679
D. 321,630	11/1991	Hollinger	D7/679
D. 335,072	4/1993	Gourhant	D8/42
D. 364,324	11/1995	Entwistle	D8/42
D. 366,198	1/1996	Laib	D8/42
4,276,789	7/1981	Allen	81/3.36
4,291,597	9/1981	Allen	81/3.48
4,703,673	11/1987	Allen	81/3.29
4,727,779	3/1988	Lee	81/3.37

FIG. 1 is a perspective view of a combination cork puller and foil cutter showing my new design;
 FIG. 2 is a front view thereof, the back view being substantially the same;
 FIG. 3 is a side view thereof, the opposite side view being substantially the same;
 FIG. 4 is a top view thereof;
 FIG. 5 is a bottom view thereof;
 FIG. 6 is an enlarged, bottom perspective view thereof showing the foil cutters; and,
 FIG. 7 is an enlarged side view of the corkscrew and handle portion shown separately for ease of illustration.

1 Claim, 6 Drawing Sheets

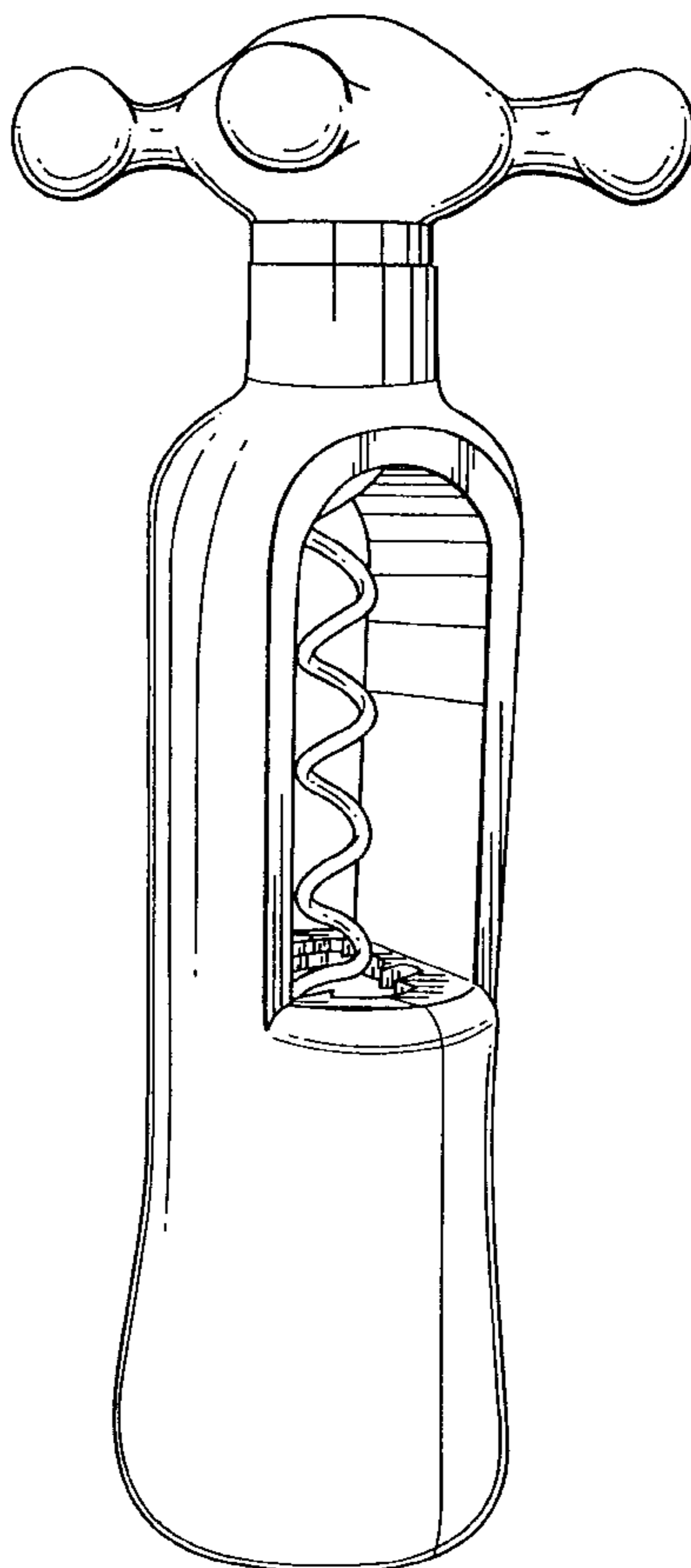


FIG. 1

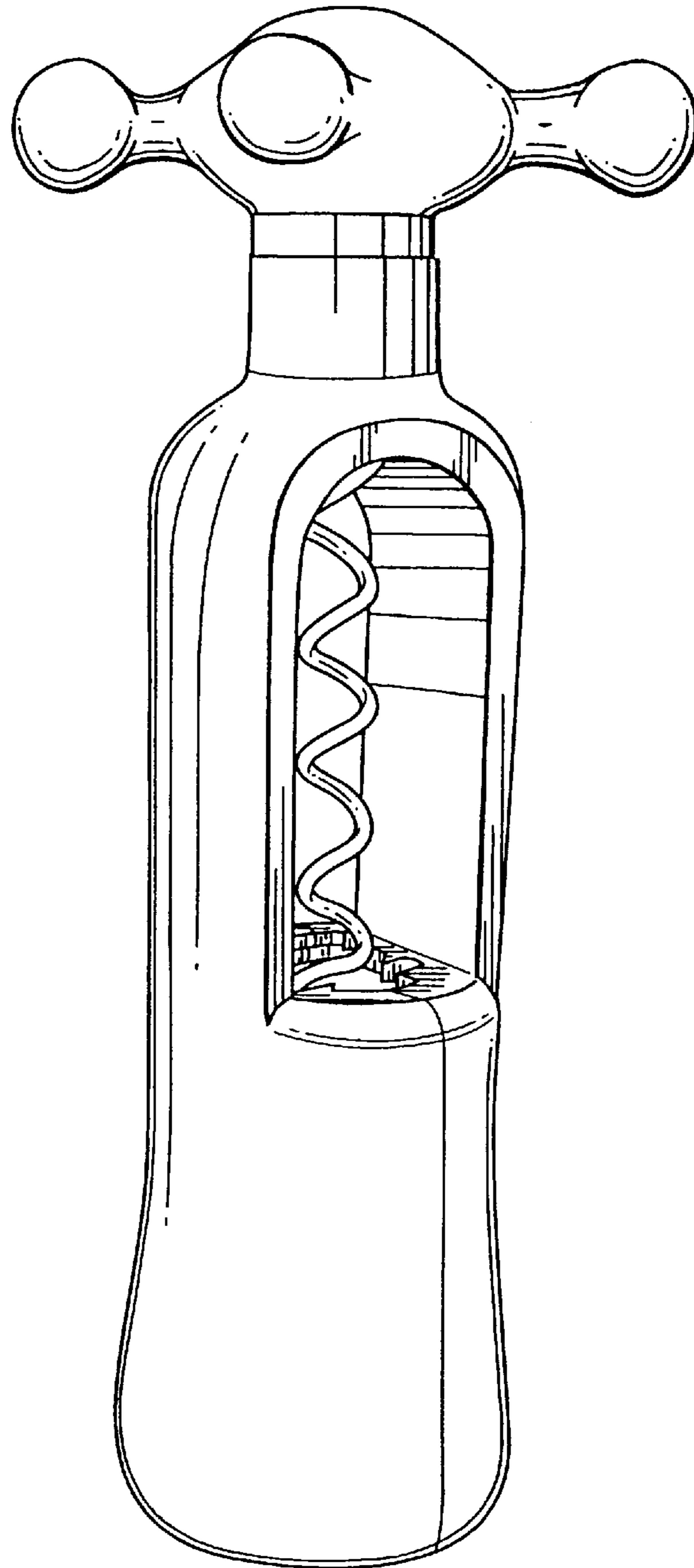


FIG. 2

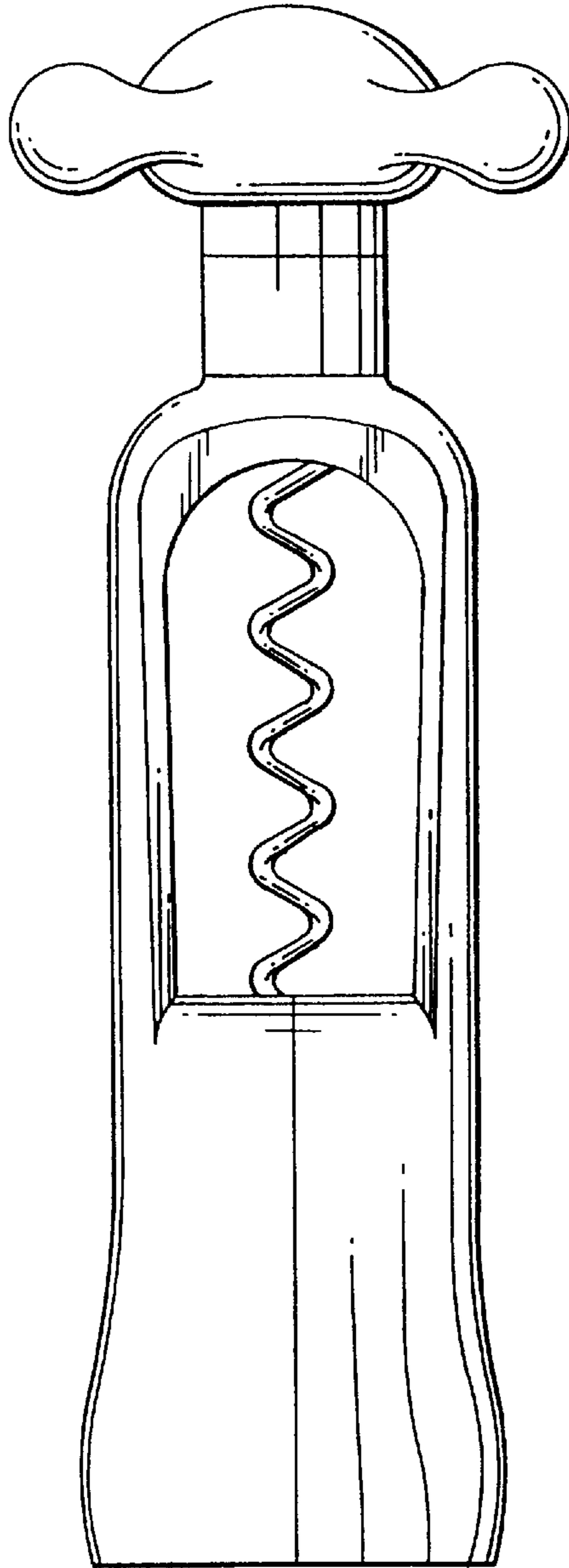


FIG. 3

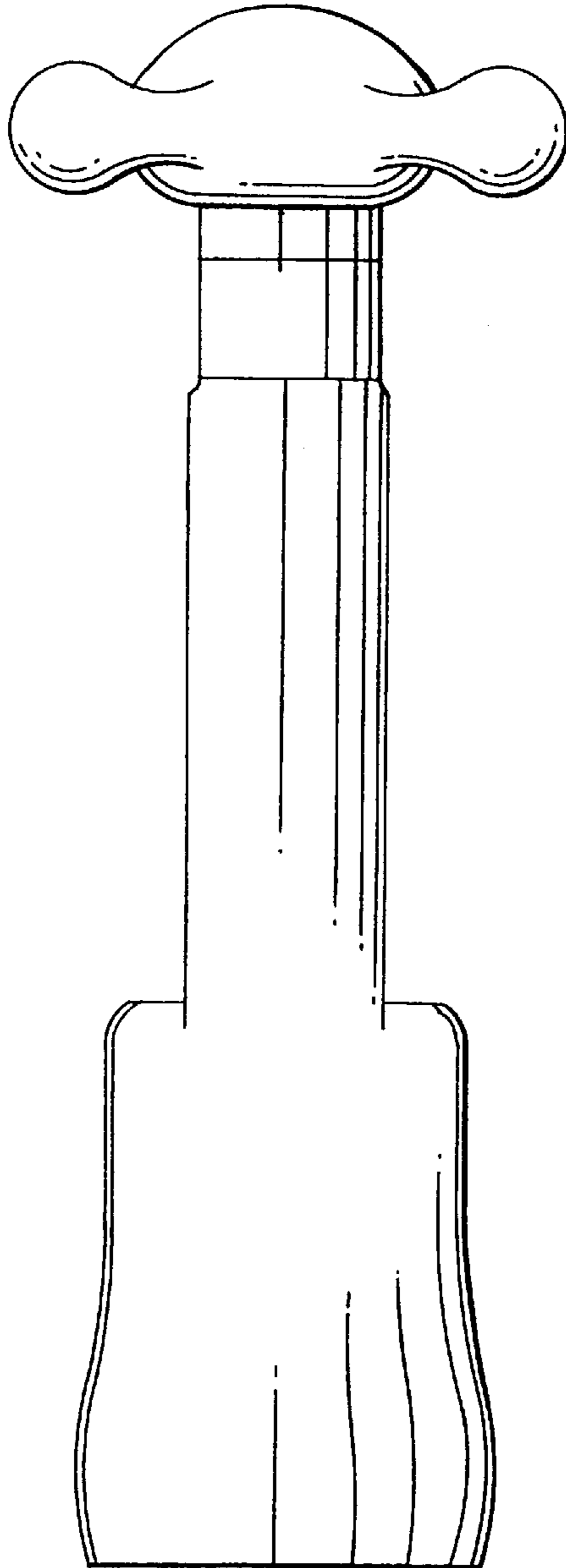


FIG. 4

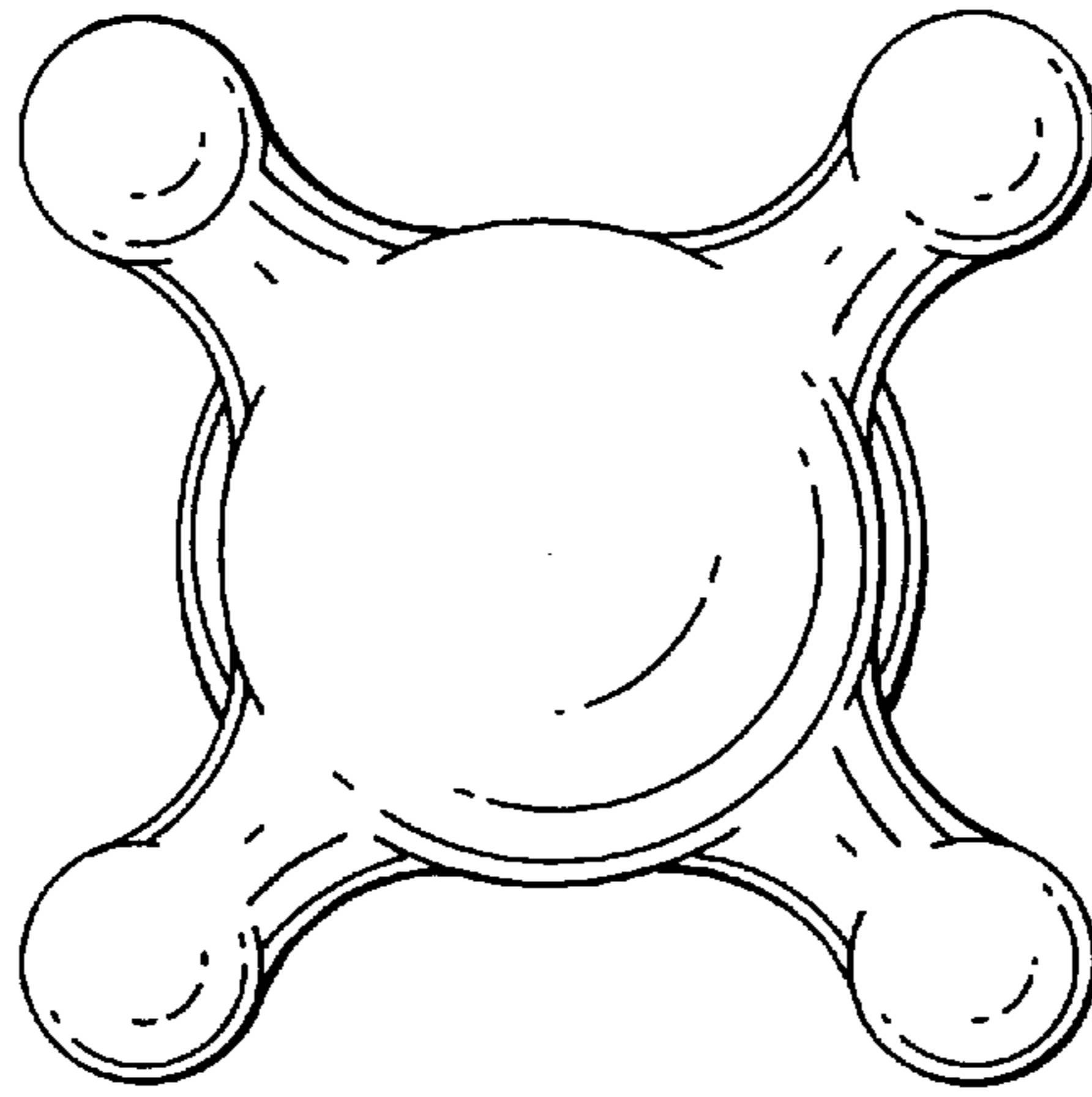


FIG. 5

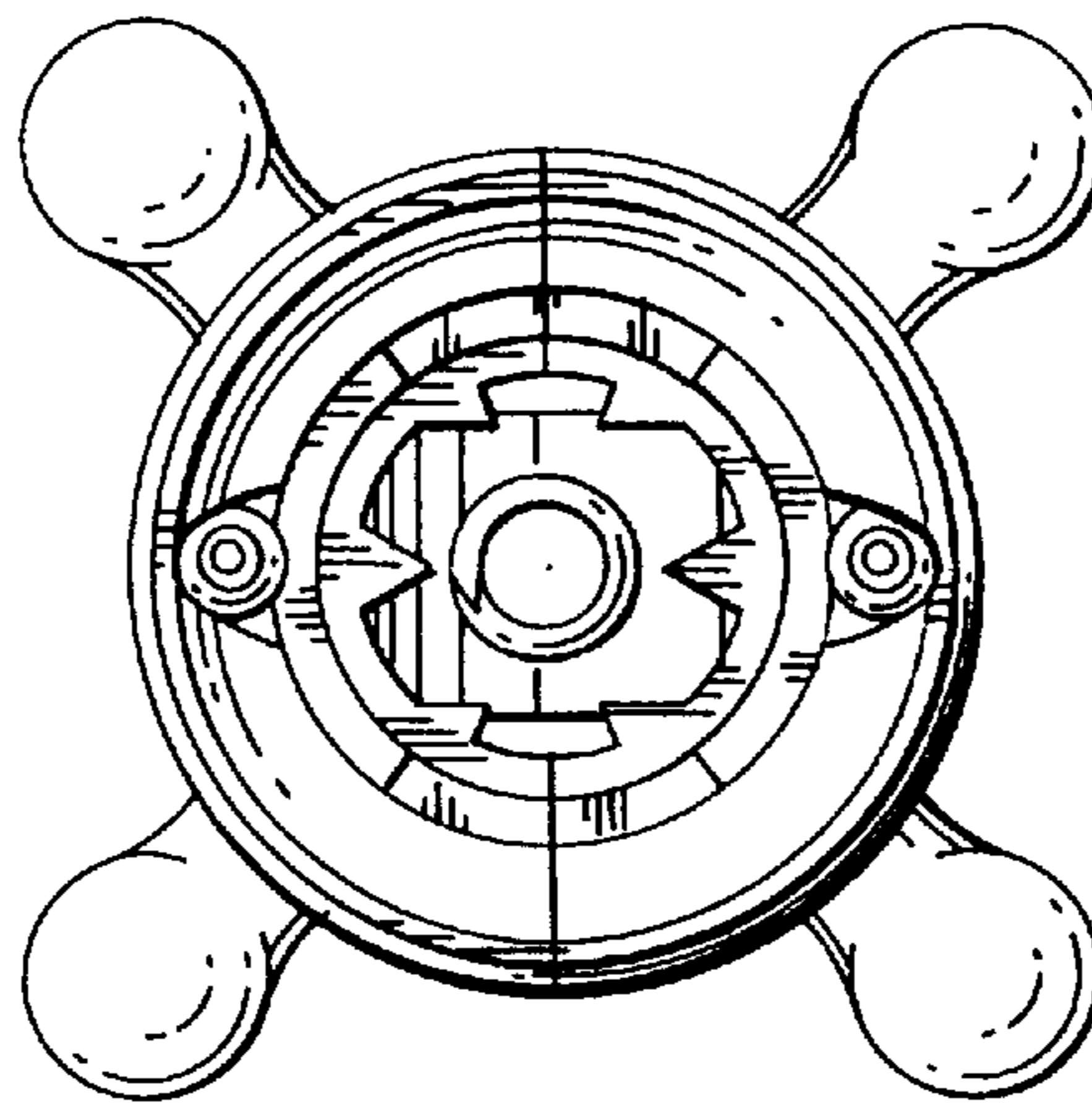


FIG. 6

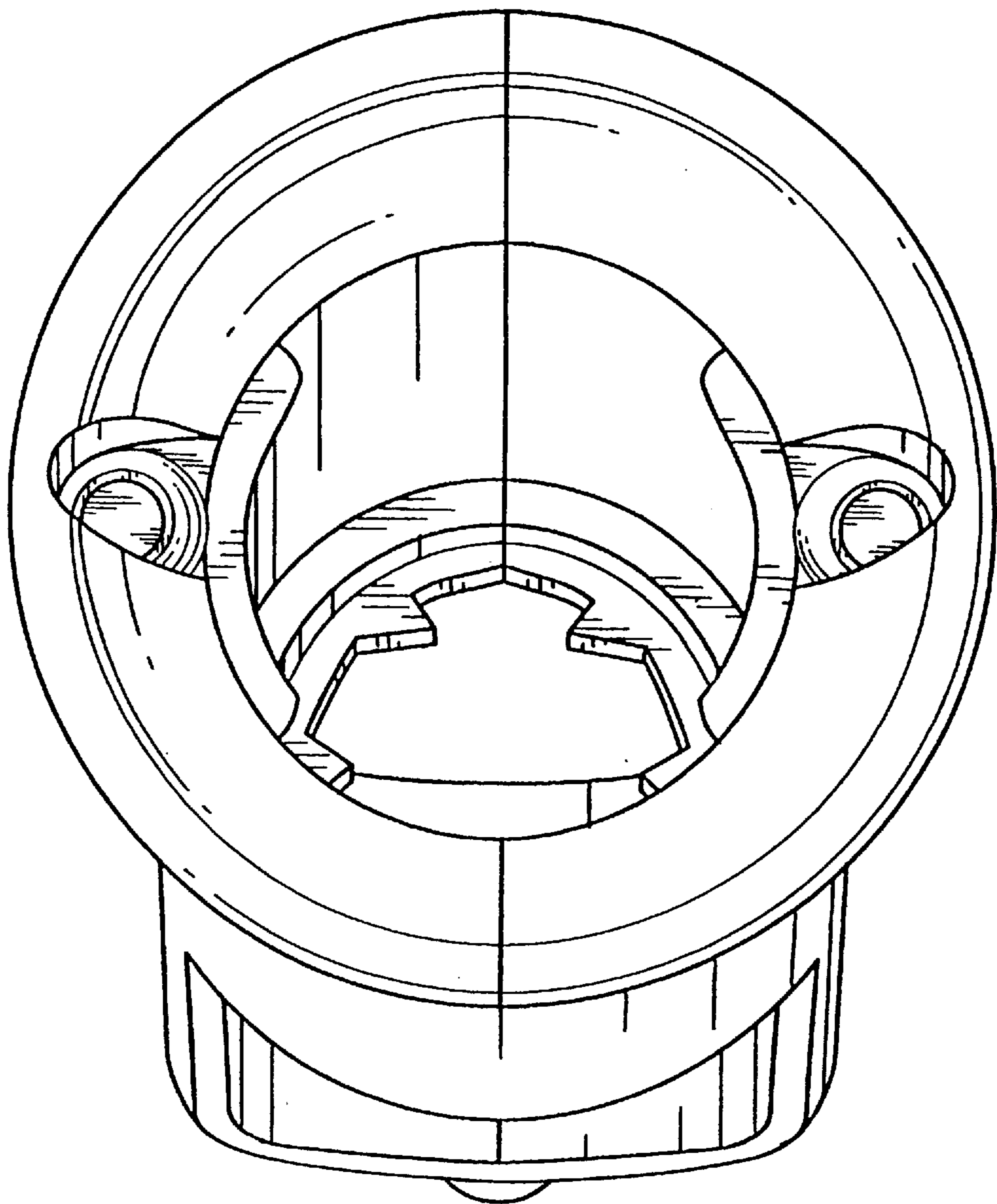


FIG. 7

