

US00D404986S

United States Patent [19]

Mahon

[11] **Patent Number: Des. 404,986**

[45] **Date of Patent: **Feb. 2, 1999**

[54] **DRUM KEY**

[76] Inventor: **John E. Mahon**, 6832 Enfield Ave., Reseda, Calif. 91335

[**] Term: **14 Years**

[21] Appl. No.: **72,233**

[22] Filed: **Jun. 10, 1997**

[51] **LOC (6) Cl. 08-05**

[52] **U.S. Cl. D8/21; D17/22**

[58] **Field of Search D8/14, 21, 29; D17/22, 99; 81/121.1, 124.7, 177.1, 177.2; 84/413, 453, 458**

[56] **References Cited**

U.S. PATENT DOCUMENTS

D. 320,805	10/1991	Sassmannshausen et al.	D17/22
D. 346,100	4/1994	Behrenfeld	D8/21
D. 375,666	11/1996	Mountain	D8/29
5,517,884	5/1996	Sanders	81/177.2

Primary Examiner—Philip S. Hyder
Assistant Examiner—Adir Aronovich
Attorney, Agent, or Firm—Albert O. Cota

[57] **CLAIM**

The ornamental design for a drum key, as shown and described.

DESCRIPTION

FIG. 1 is a reduced perspective view showing my new design for a drum key attached to one of a plurality of drum tuning bolts located around the perimeter of the drum. The drum and tuning bolts are shown in broken lines and are not a part of the claimed design;

FIG. 2 is a right side elevational view thereof, the left side elevational view being a mirror image thereof;

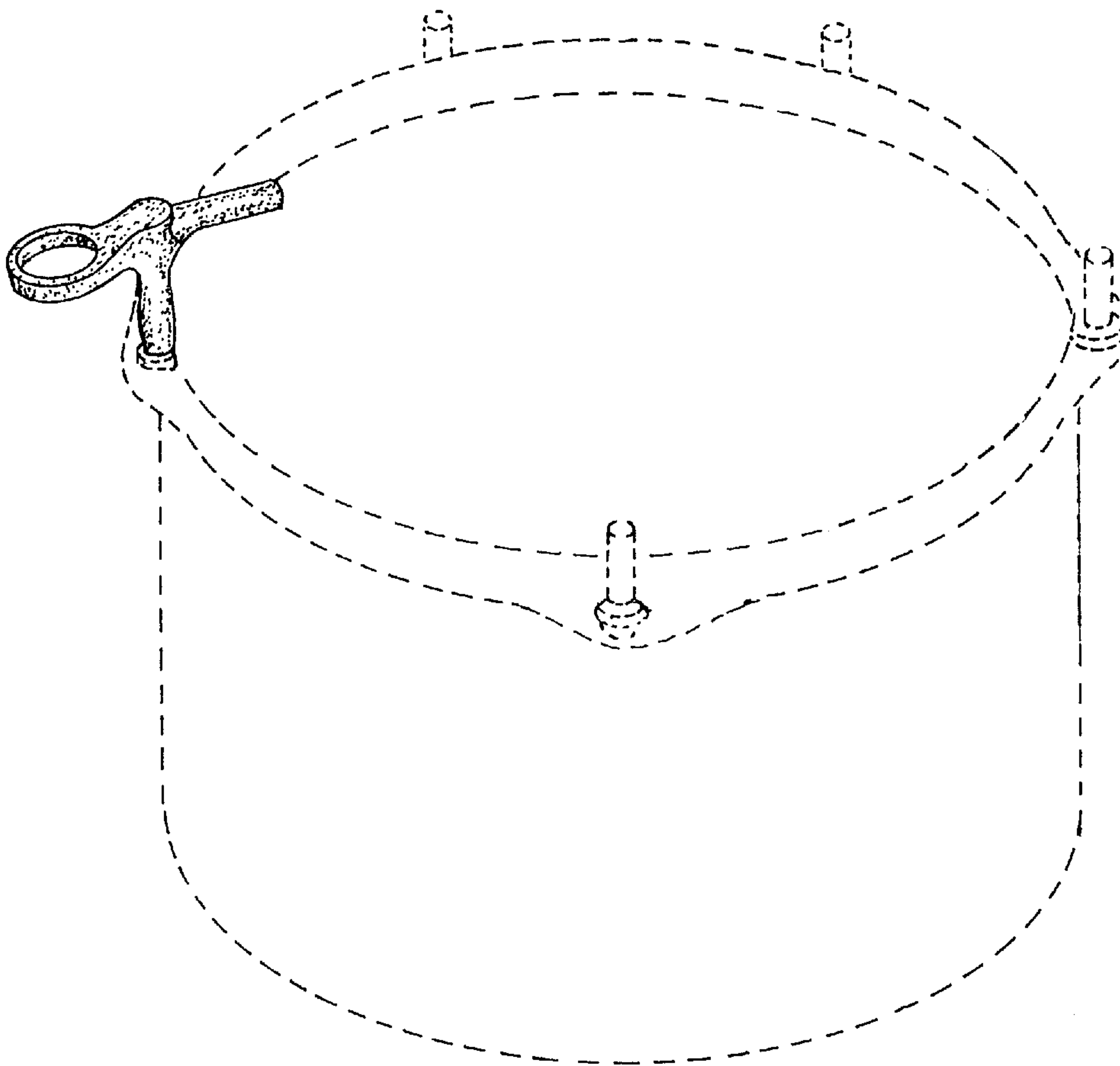
FIG. 3 is a front elevational view thereof;

FIG. 4 is a rear elevational view thereof;

FIG. 5 is a top plan view thereof; and,

FIG. 6 is a bottom plan view.

1 Claim, 3 Drawing Sheets



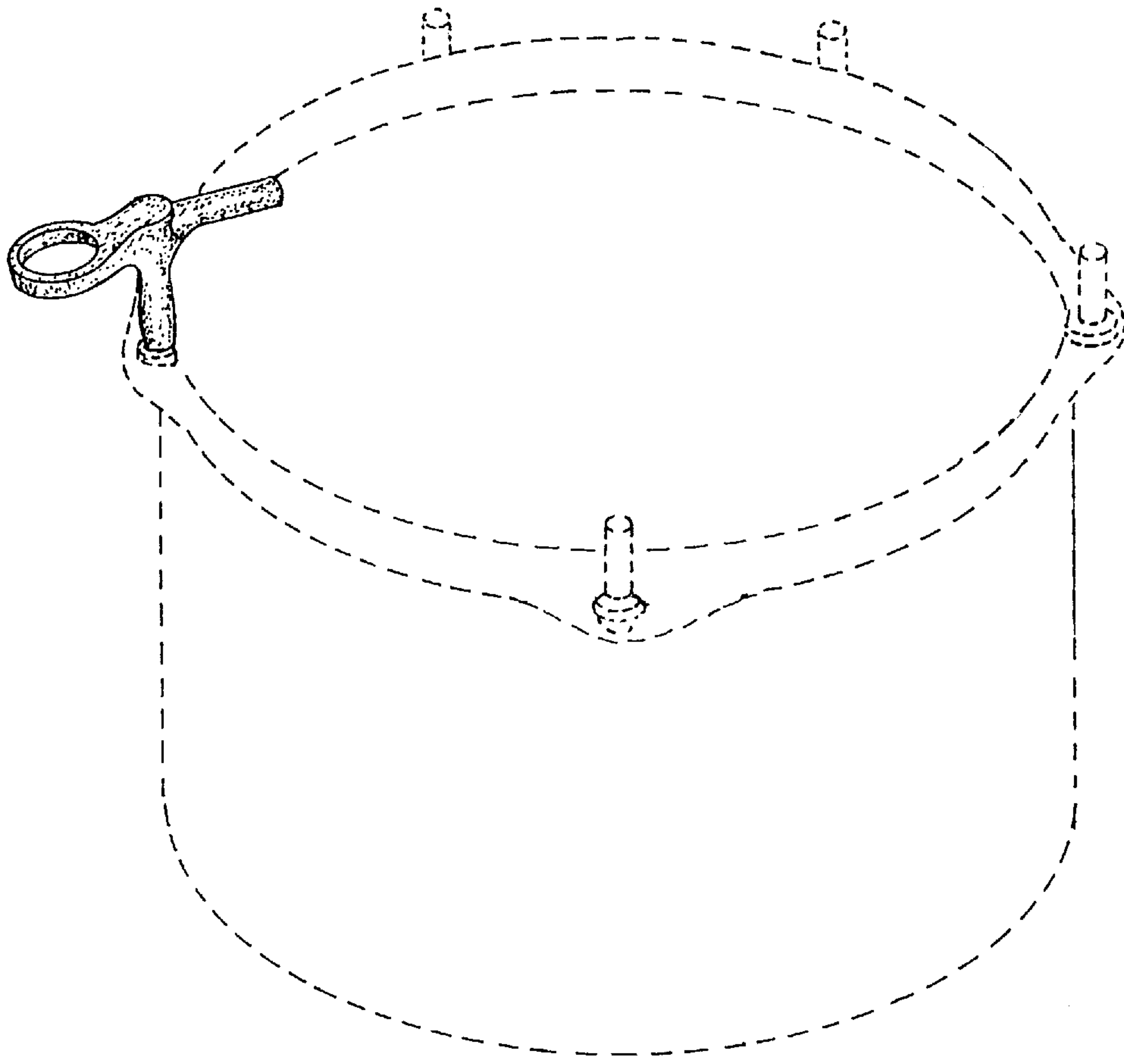


Fig. 1

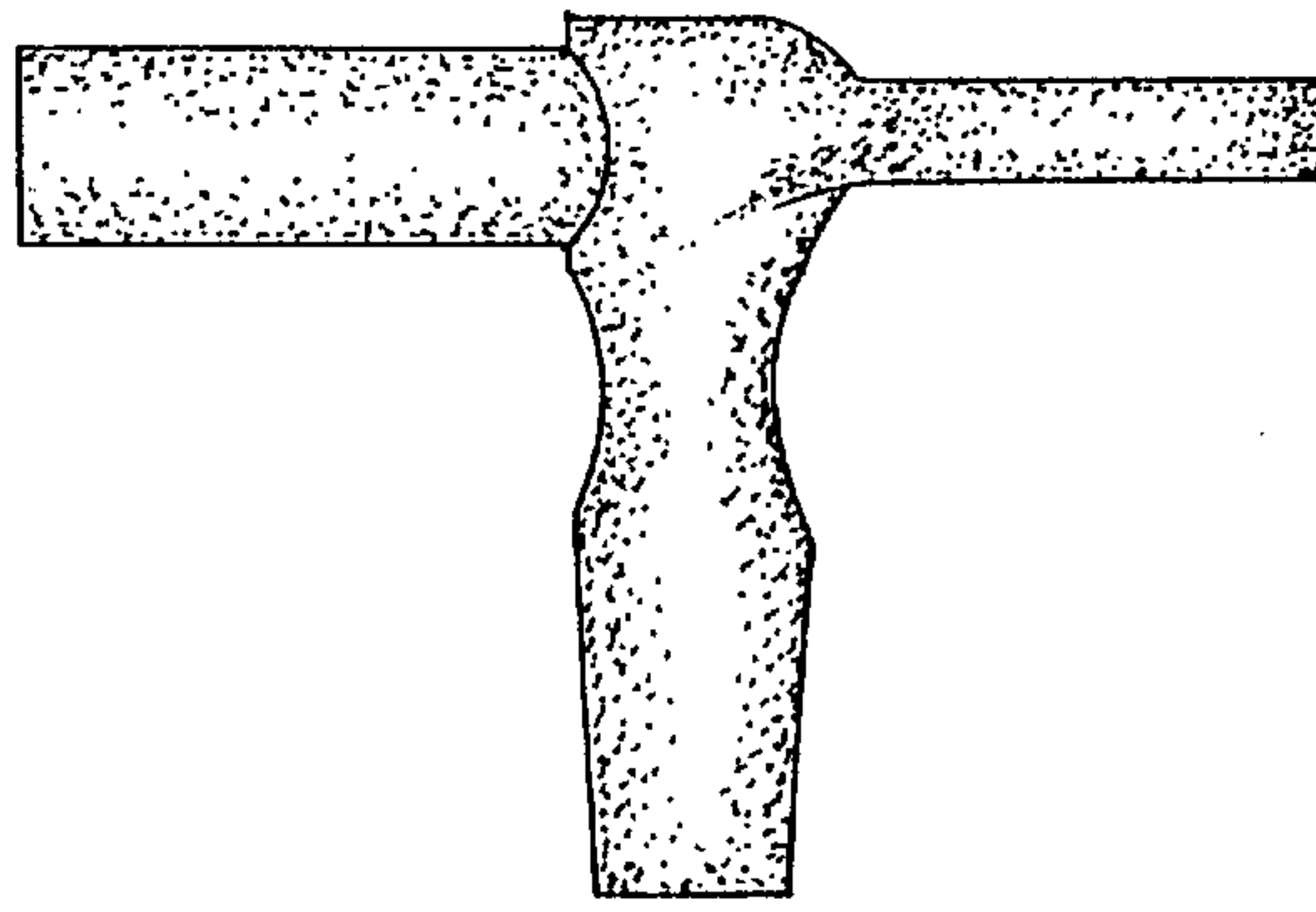


Fig. 2

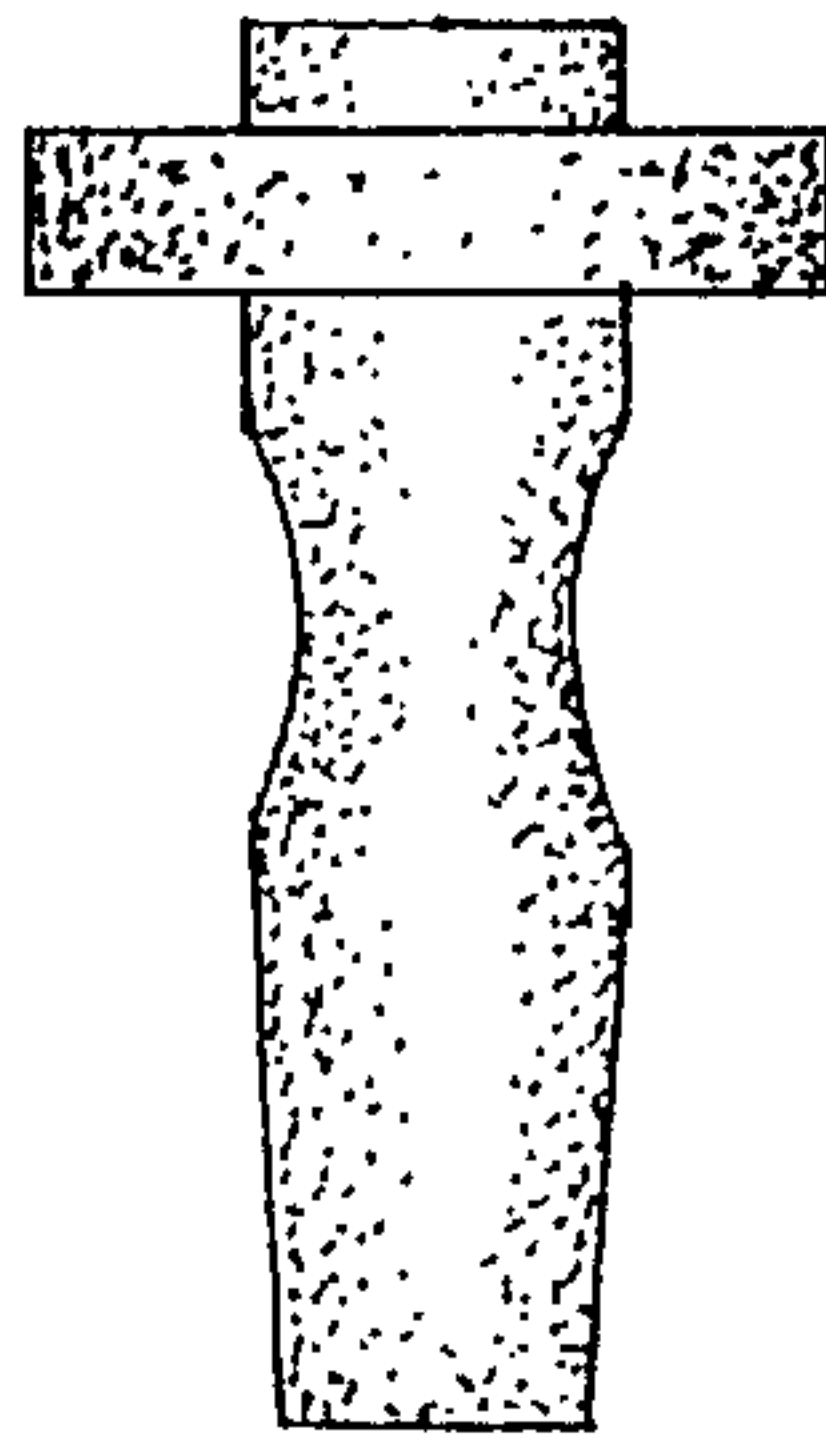


Fig. 3

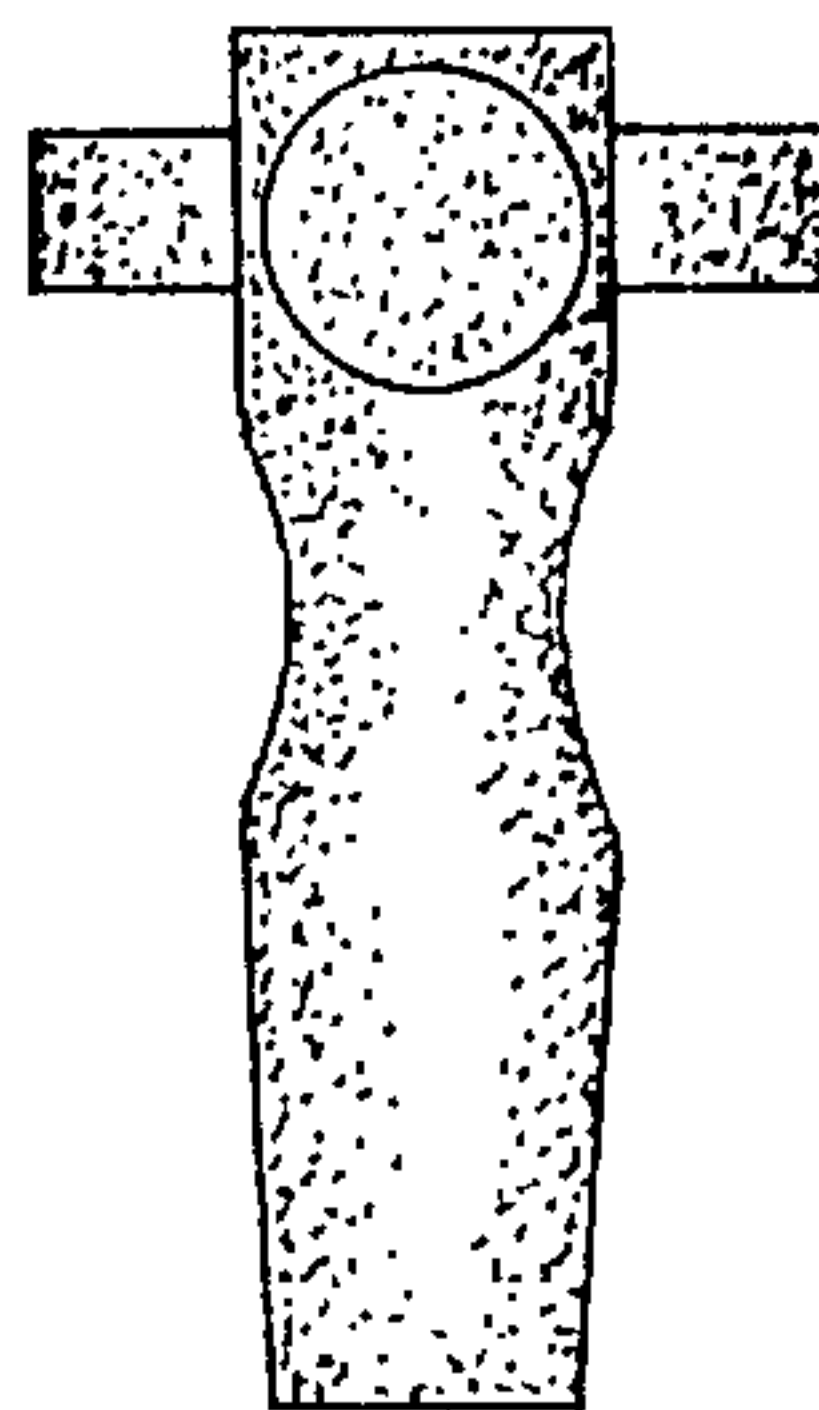


Fig. 4

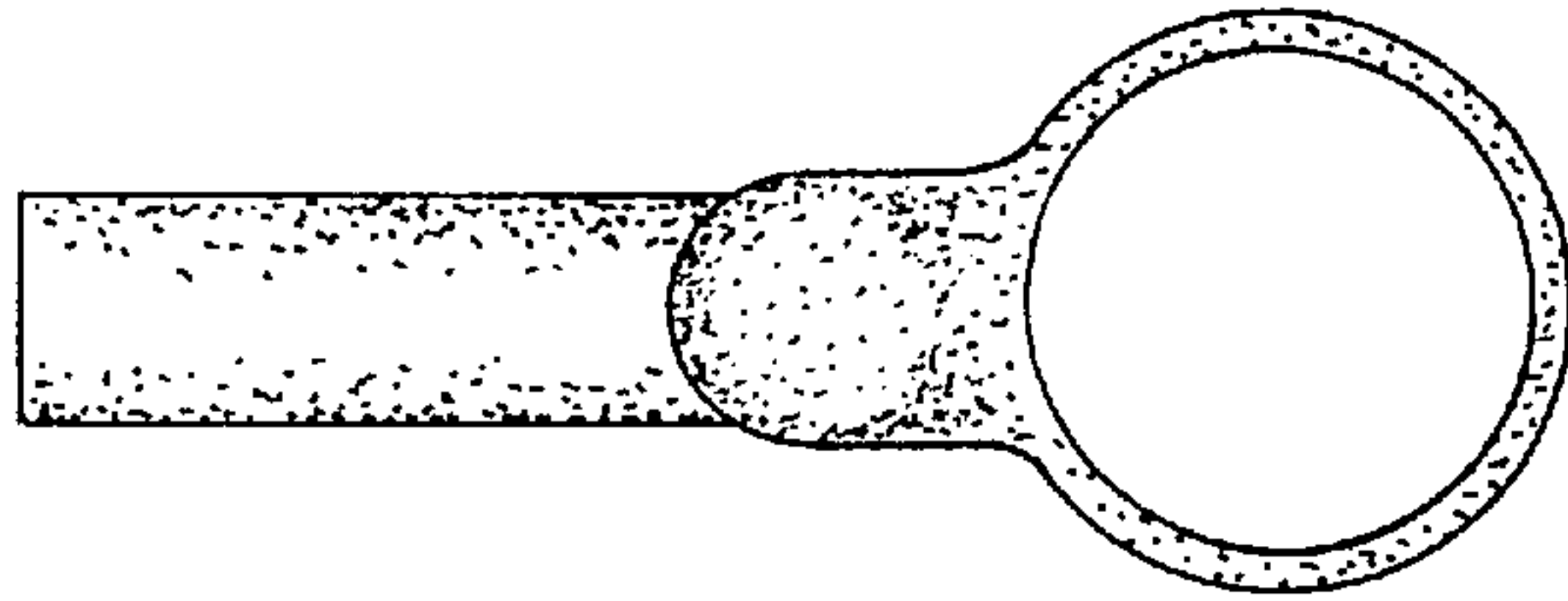


Fig. 5

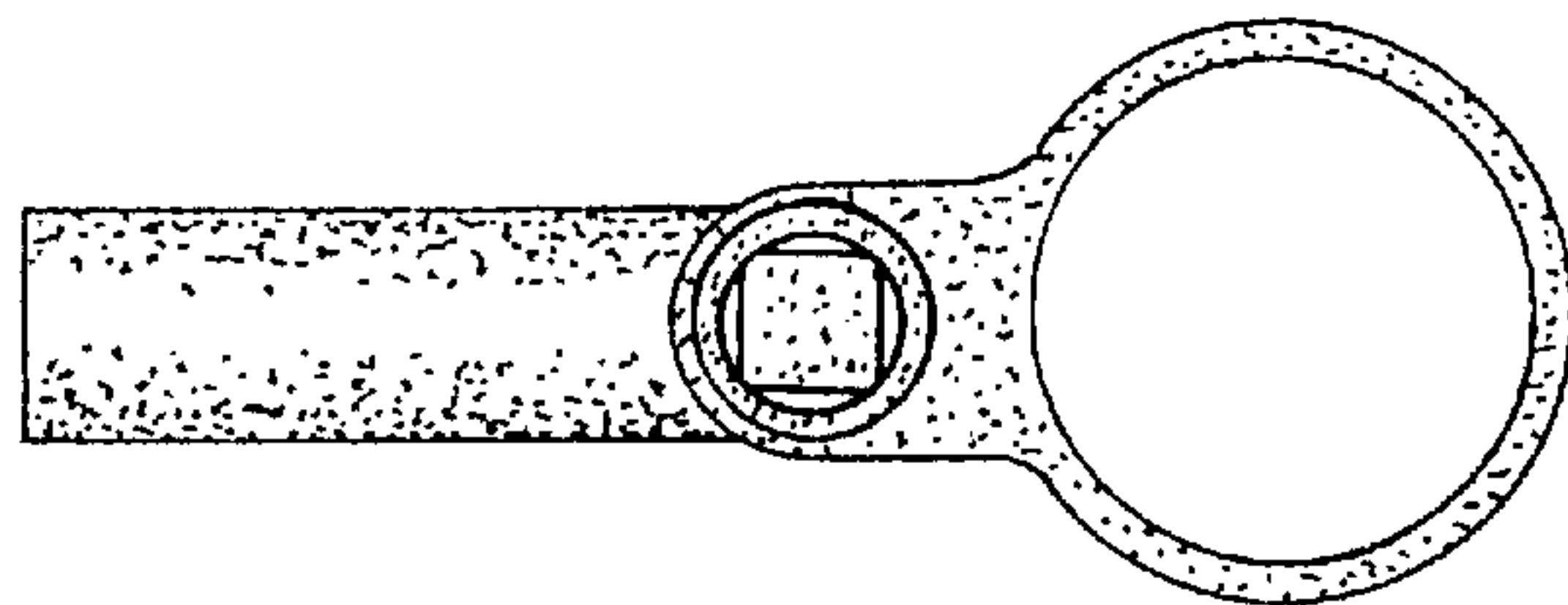


Fig. 6