



US00D404985S

# United States Patent [19] Fredrickson

[11] **Patent Number:** **Des. 404,985**

[45] **Date of Patent:** **\*\*Feb. 2, 1999**

[54] **ARTICLE LIFTER**

[76] **Inventor:** **David Frank Fredrickson**, 4951 Toll Bridge Rd., Belton, Bell County, Tex. 76513

[\*\*] **Term:** **14 Years**

[21] **Appl. No.:** **81,835**

[22] **Filed:** **Nov. 26, 1997**

[51] **LOC (6) Cl.** ..... **08-05**

[52] **U.S. Cl.** ..... **D8/14; D34/28**

[58] **Field of Search** ..... **D34/28; D8/14; 294/1.1, 15, 19.1, 137, 153**

5,127,693 7/1992 Pruit .  
5,171,052 12/1992 Cunn .  
5,190,329 3/1993 Steer .  
5,522,116 6/1996 Enneking .

### FOREIGN PATENT DOCUMENTS

3921366 A1 1/1991 Germany .  
1200132 7/1970 United Kingdom .

*Primary Examiner*—Joel Sincavage  
*Assistant Examiner*—Robin V. Taylor  
*Attorney, Agent, or Firm*—Merek & Voorhees

### [57] CLAIM

The ornamental design for an article lifter, as shown and described.

### [56] References Cited

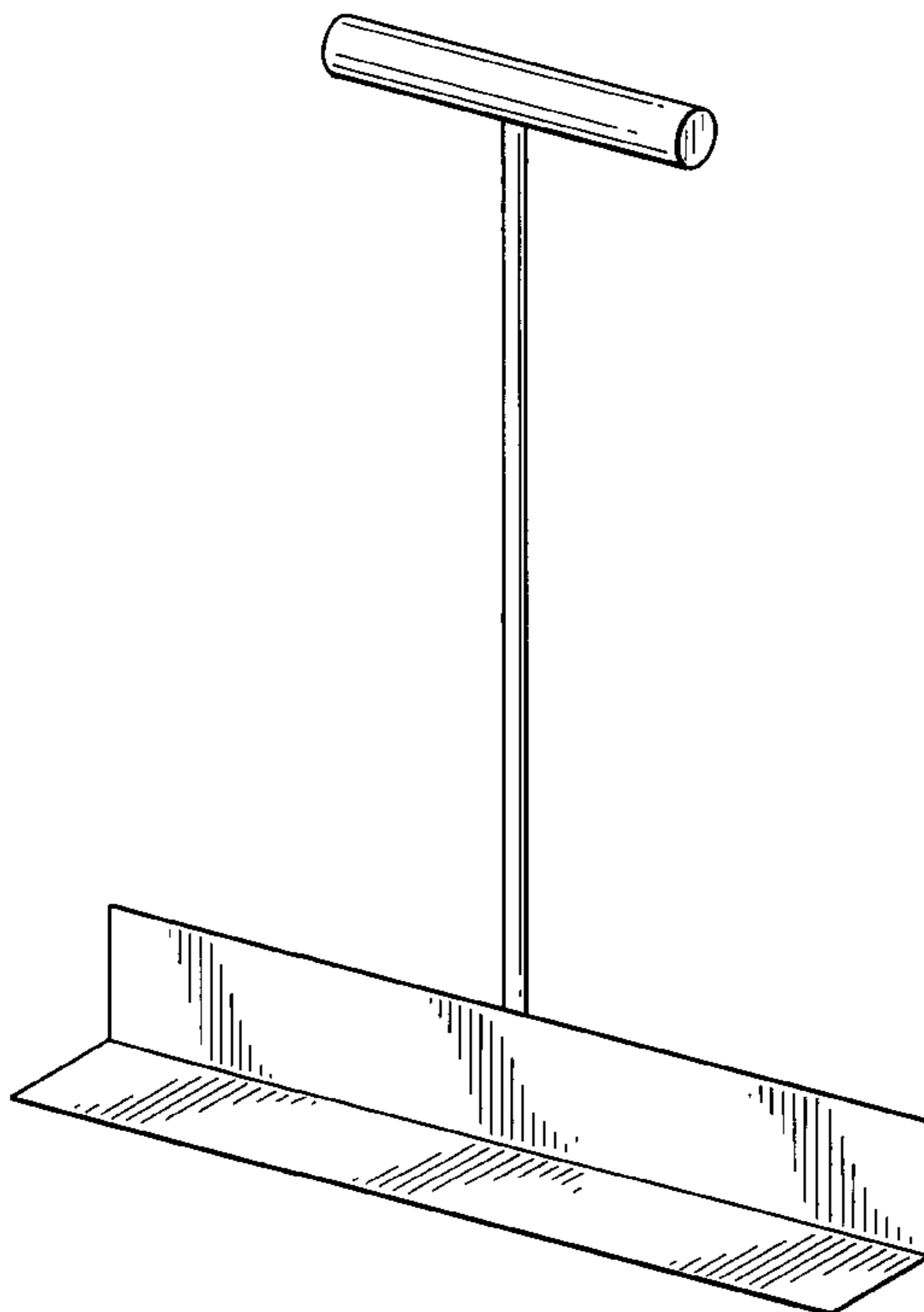
#### U.S. PATENT DOCUMENTS

D. 217,002	3/1970	Wagner	.....	D8/14
D. 255,317	6/1980	Slinkard	.	
D. 288,276	2/1987	Harney	.....	D8/14
D. 317,703	6/1991	Cydrus	.....	D8/14
D. 354,662	1/1995	Brezany	.....	D8/14
D. 368,837	4/1996	Reed	.....	D8/14
435,420	9/1890	Healy	.	
2,274,918	3/1942	Chenette	.	
2,367,627	1/1945	Sterrett	.	
2,399,527	4/1946	Whitney	.	
2,930,583	3/1960	Noe et al.	.	
3,203,606	8/1965	Masterson	.	
3,385,625	5/1968	Heines	.	
3,619,852	11/1971	Eckberg	.	
3,940,171	2/1976	Carlsson	.	
4,098,442	7/1978	Moore	.....	294/26
4,177,911	12/1979	Griffin	.	
4,577,897	3/1986	Mazac	.	
4,802,391	2/1989	Willhoite et al.	.....	294/15
5,069,495	12/1991	Mears	.	

### DESCRIPTION

FIG. 1 is a front perspective view of my article lifter; FIG. 2 is a rear perspective view of the apparatus depicted in FIG. 1; FIG. 3 is a rear perspective view of a second embodiment of my invention; FIG. 4 is a rear perspective view of a third embodiment of my invention; FIG. 5 is a rear perspective view of a fourth embodiment of my invention; FIG. 6 is a rear perspective view of a fifth embodiment of my invention; FIG. 7 is an exploded rear view of a sixth embodiment; and, FIG. 8 is a front perspective view of a seventh embodiment, the rear view being like the FIG. 2 view. The opposite view of the L-shaped base plate in FIGS. 3—7 is identical to the FIG. 1 view and the bottom surface of the base plate is flat.

**1 Claim, 4 Drawing Sheets**



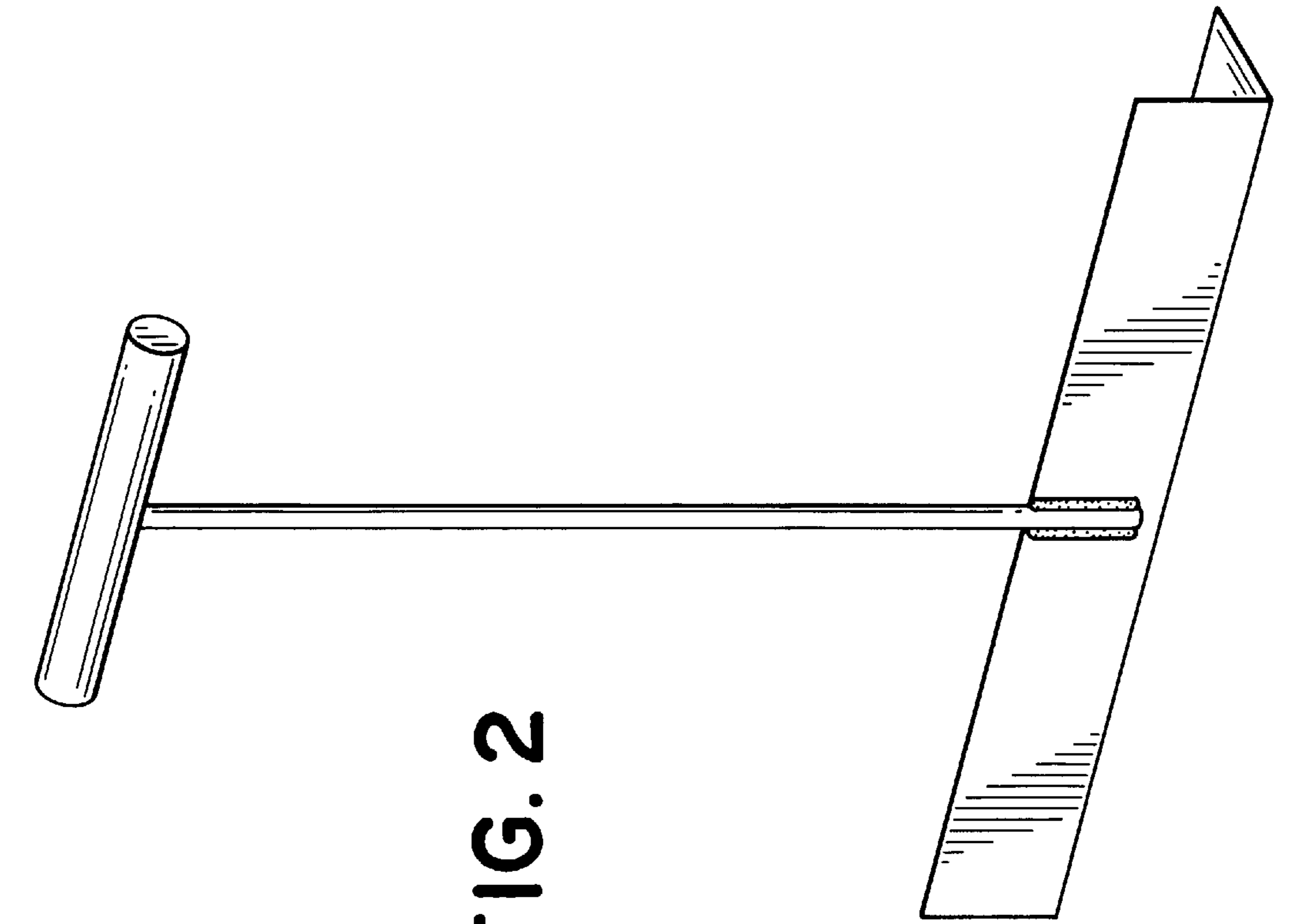


FIG. 1

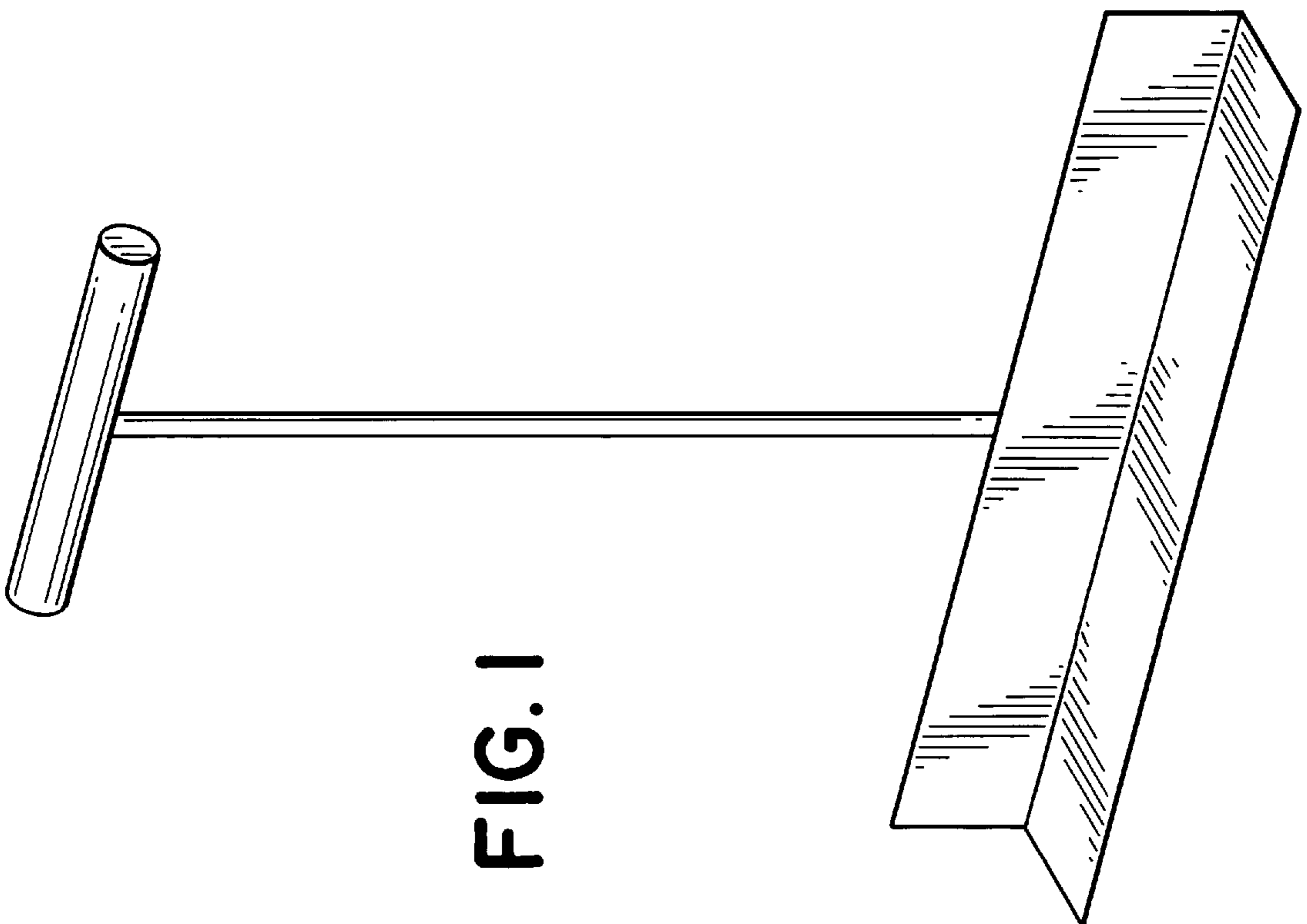
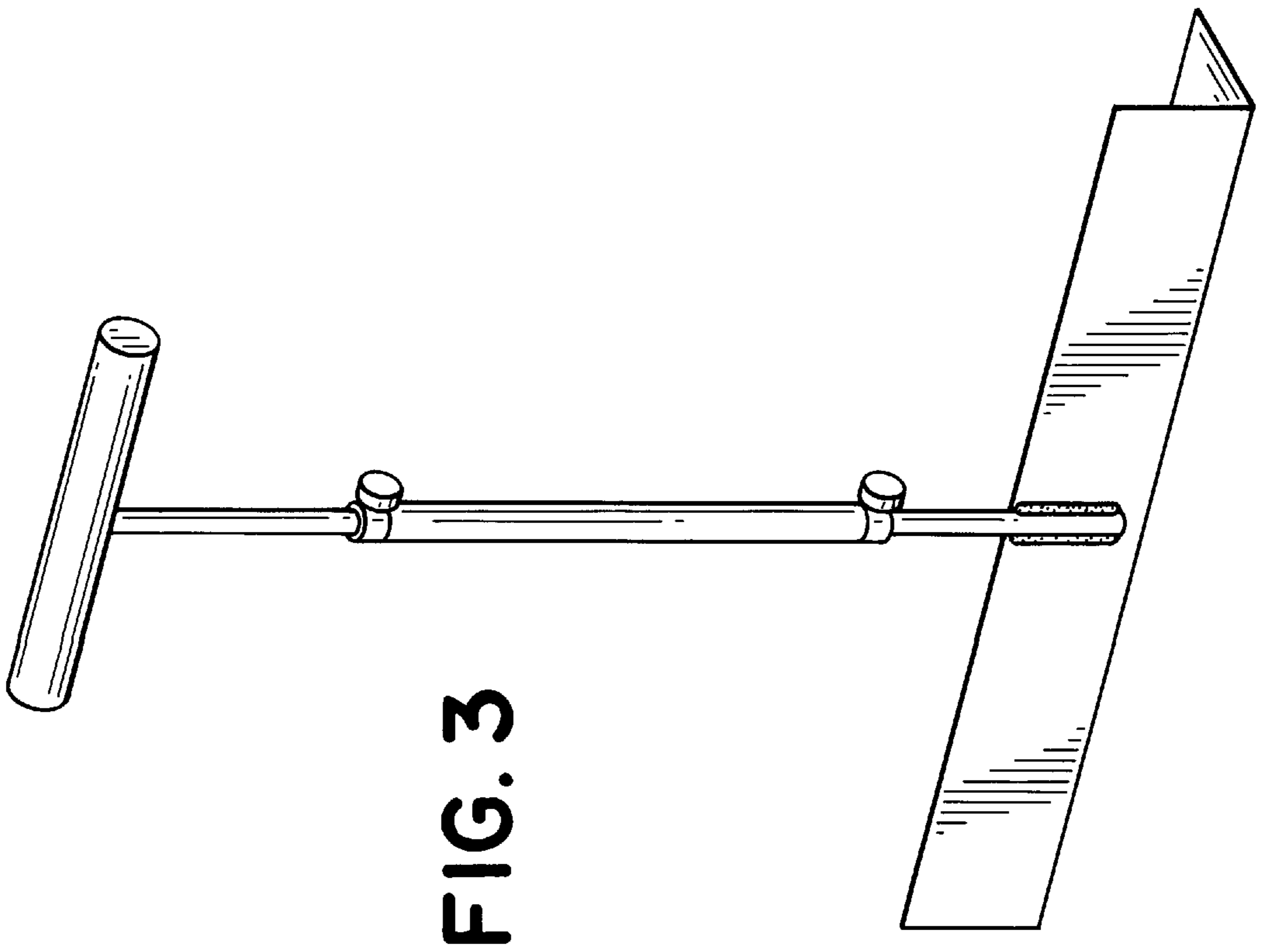
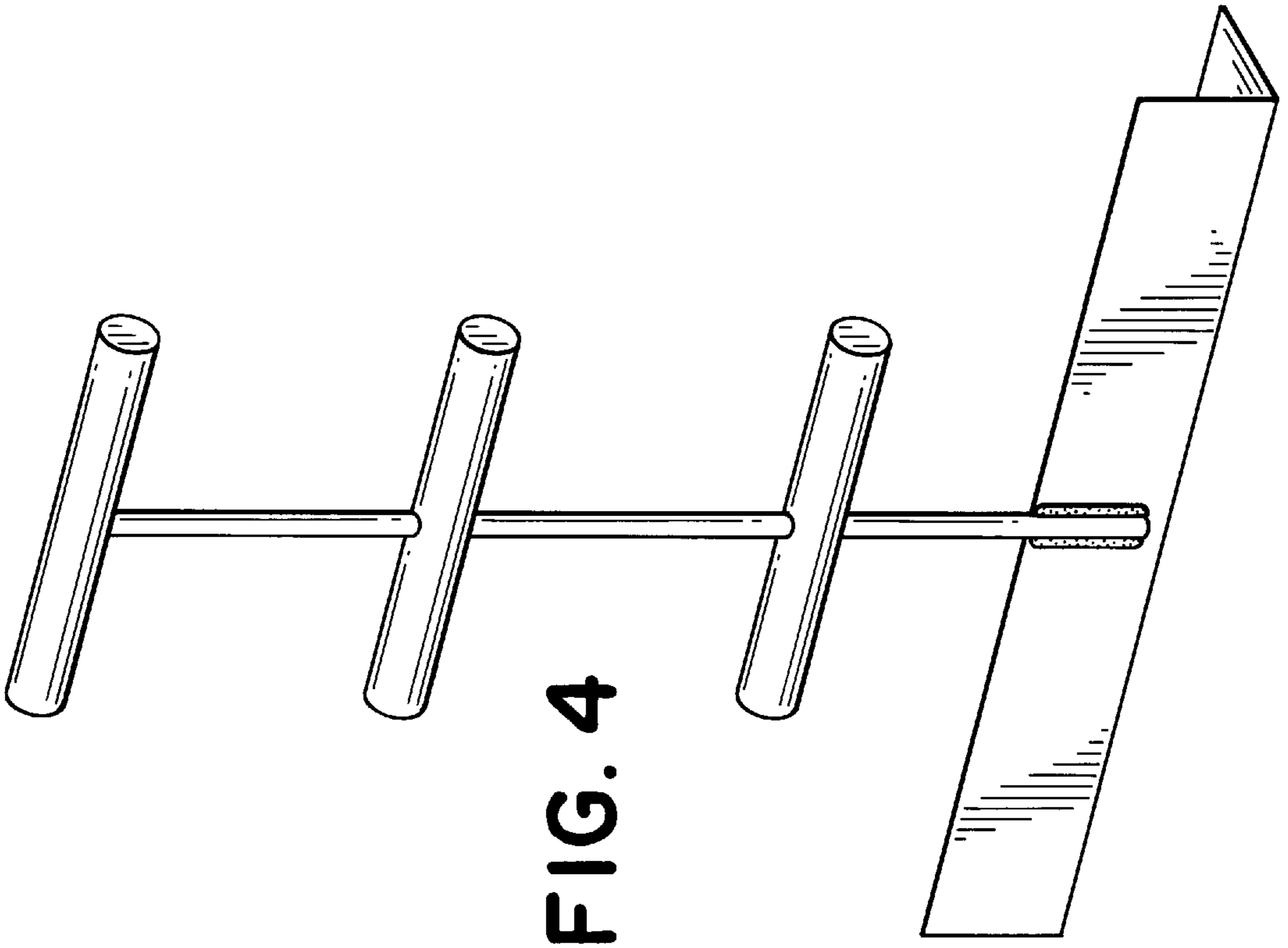


FIG. 2



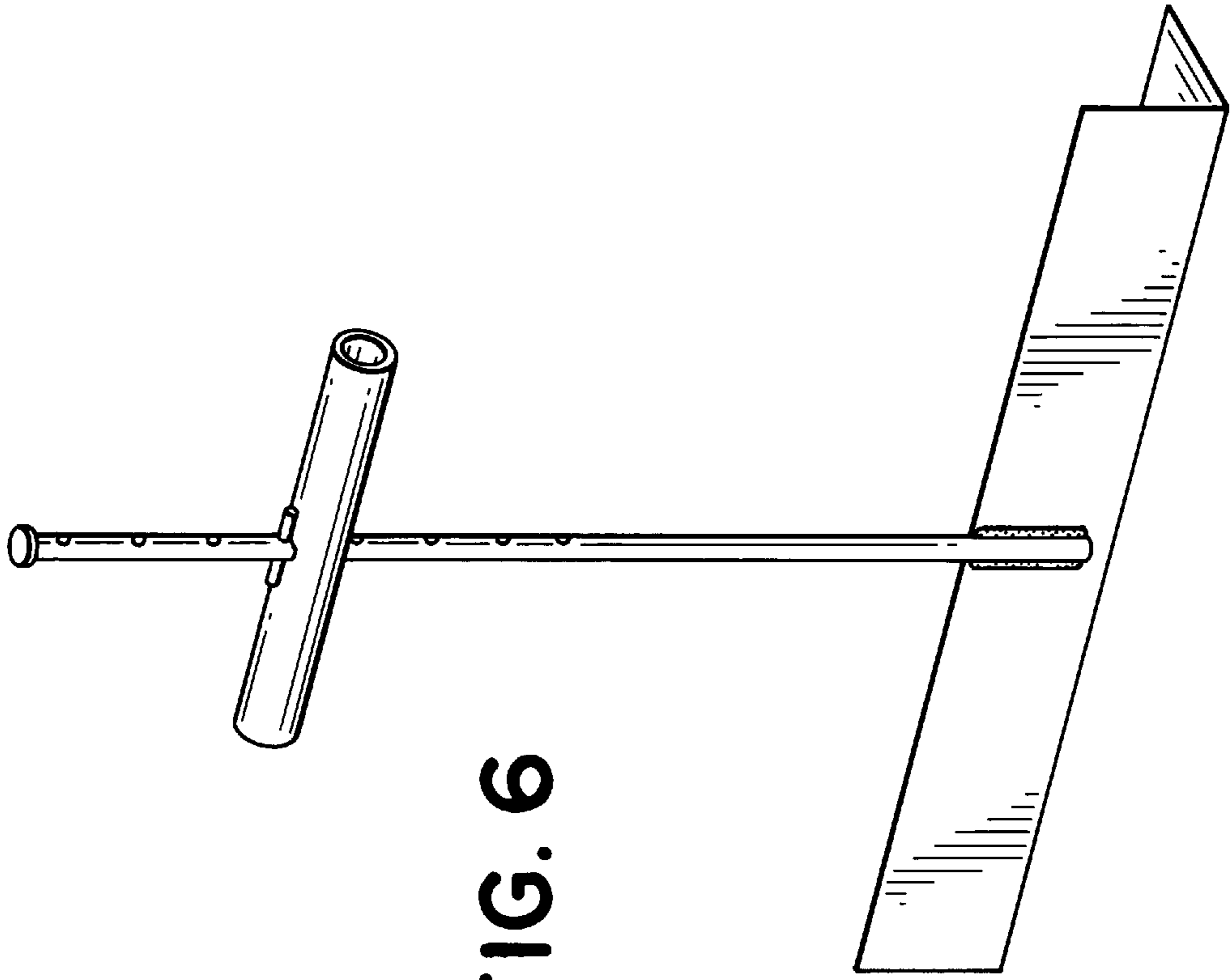


FIG. 6

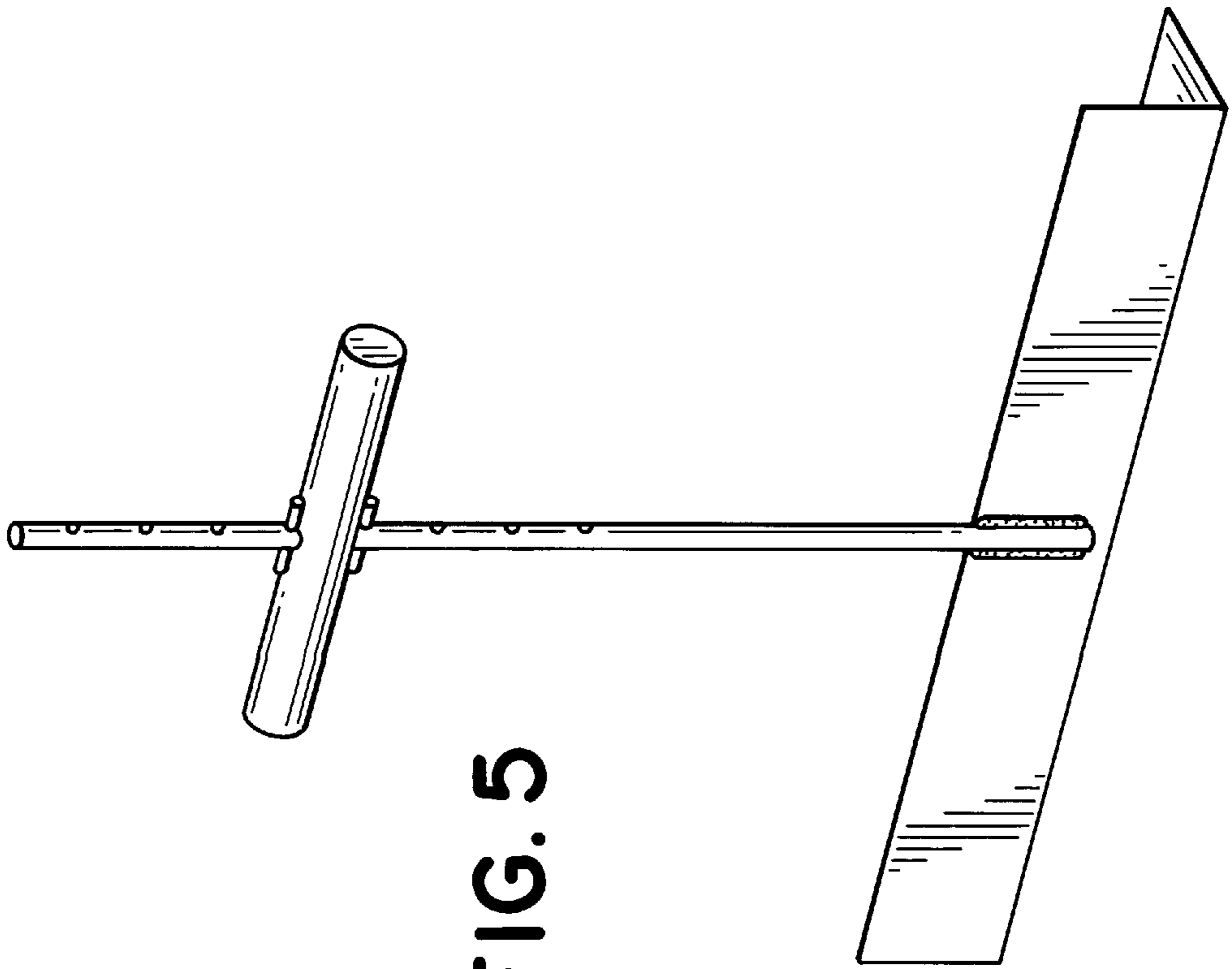


FIG. 5

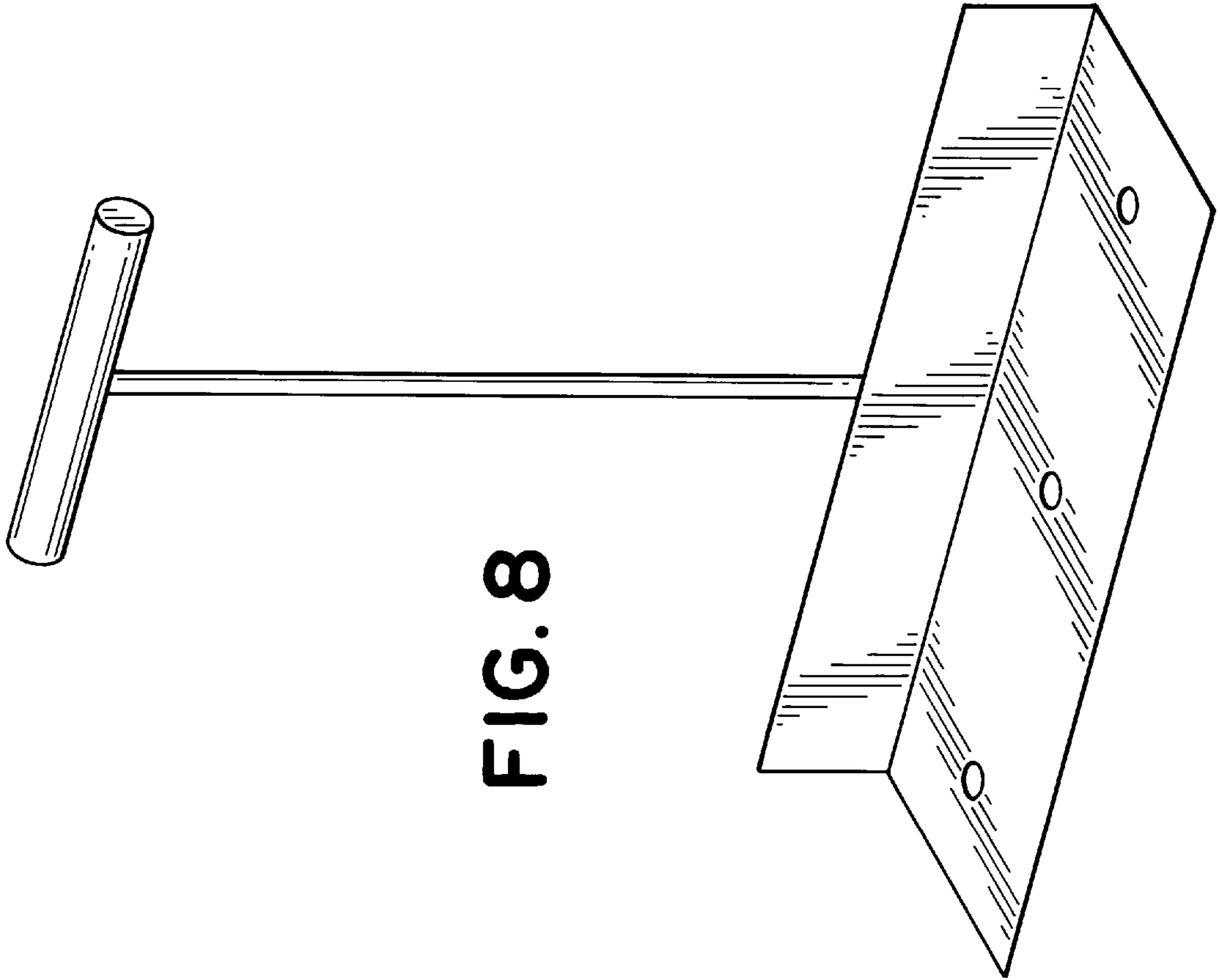


FIG. 8

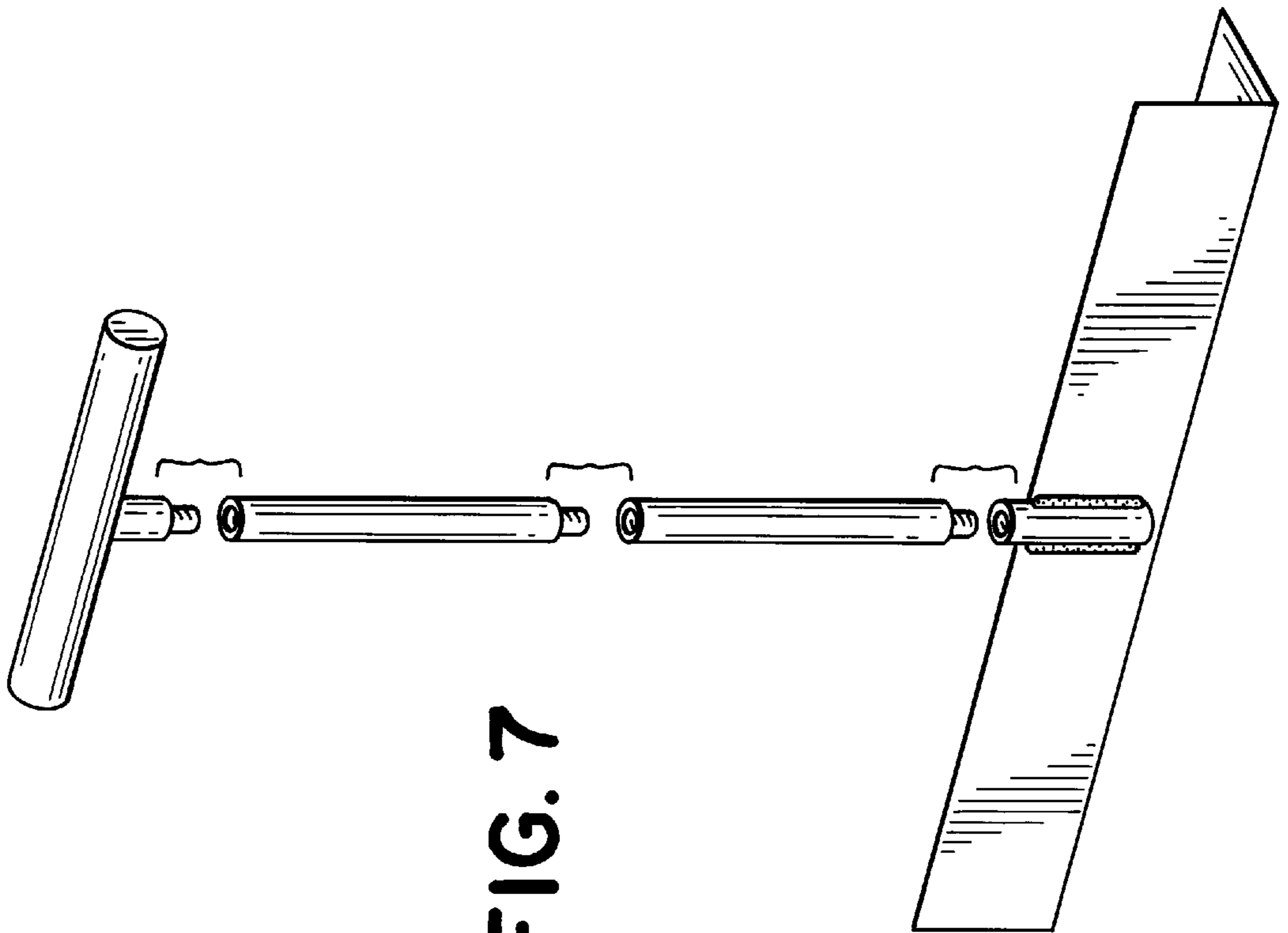


FIG. 7