



US00D404983S

United States Patent [19]
Moreno, III

[11] **Patent Number: Des. 404,983**
[45] **Date of Patent: **Feb. 2, 1999**

[54] **COMBINATION HOLE PLUGGER AND PULL RING DEVICE FOR WATER METER BOX LIDS**

D. 381,877 8/1997 Lyonnais D8/14

Primary Examiner—Antoine Duval Davis

[76] Inventor: **Frank B. Moreno, III**, 10208 E. Wood Ave., Apache Junction, Ariz. 85220

[57] **CLAIM**

[**] Term: **14 Years**

The ornamental design for a combination hole plugger and pull ring device for water meter box lids, as shown and described.

[21] Appl. No.: **60,614**

DESCRIPTION

[22] Filed: **Oct. 2, 1996**

[51] **LOC (6) Cl.** **14-01**

[52] **U.S. Cl.** **D8/14**

[58] **Field of Search** D10/99, 103; D8/14, D8/51

FIG. 1 is a front elevational view of the combination hole plugger and pull ring device for water meter box lids showing my new design;
FIG. 2 is a rear elevational view thereof;
FIG. 3 is a right side elevational view thereof;
FIG. 4 is a left side elevational view thereof;
FIG. 5 is a top plan view thereof; and,
FIG. 6 is a bottom plan view thereof.

[56] **References Cited**

U.S. PATENT DOCUMENTS

D. 376,091 12/1996 Heglin D8/14

1 Claim, 3 Drawing Sheets

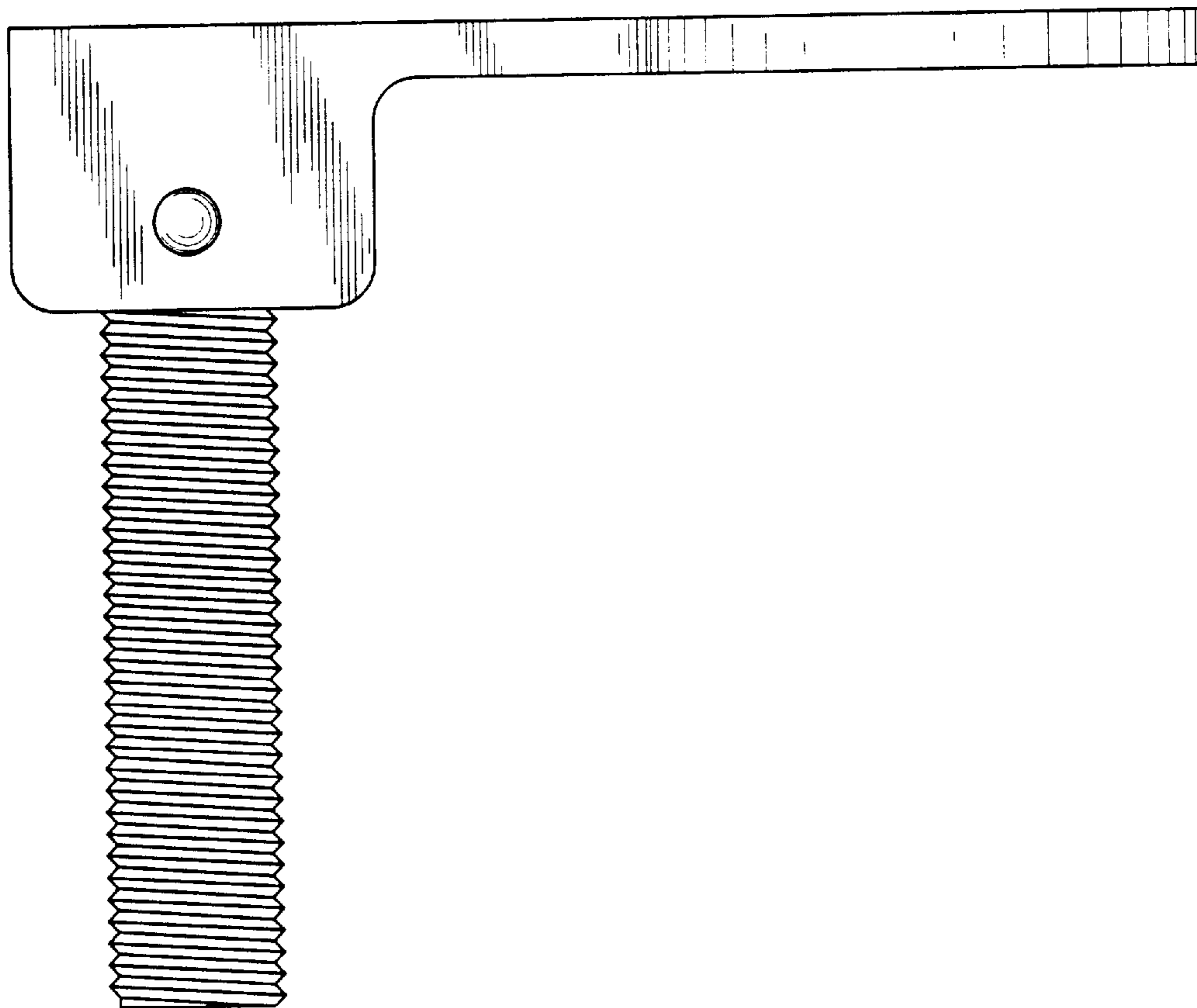


FIG. 1

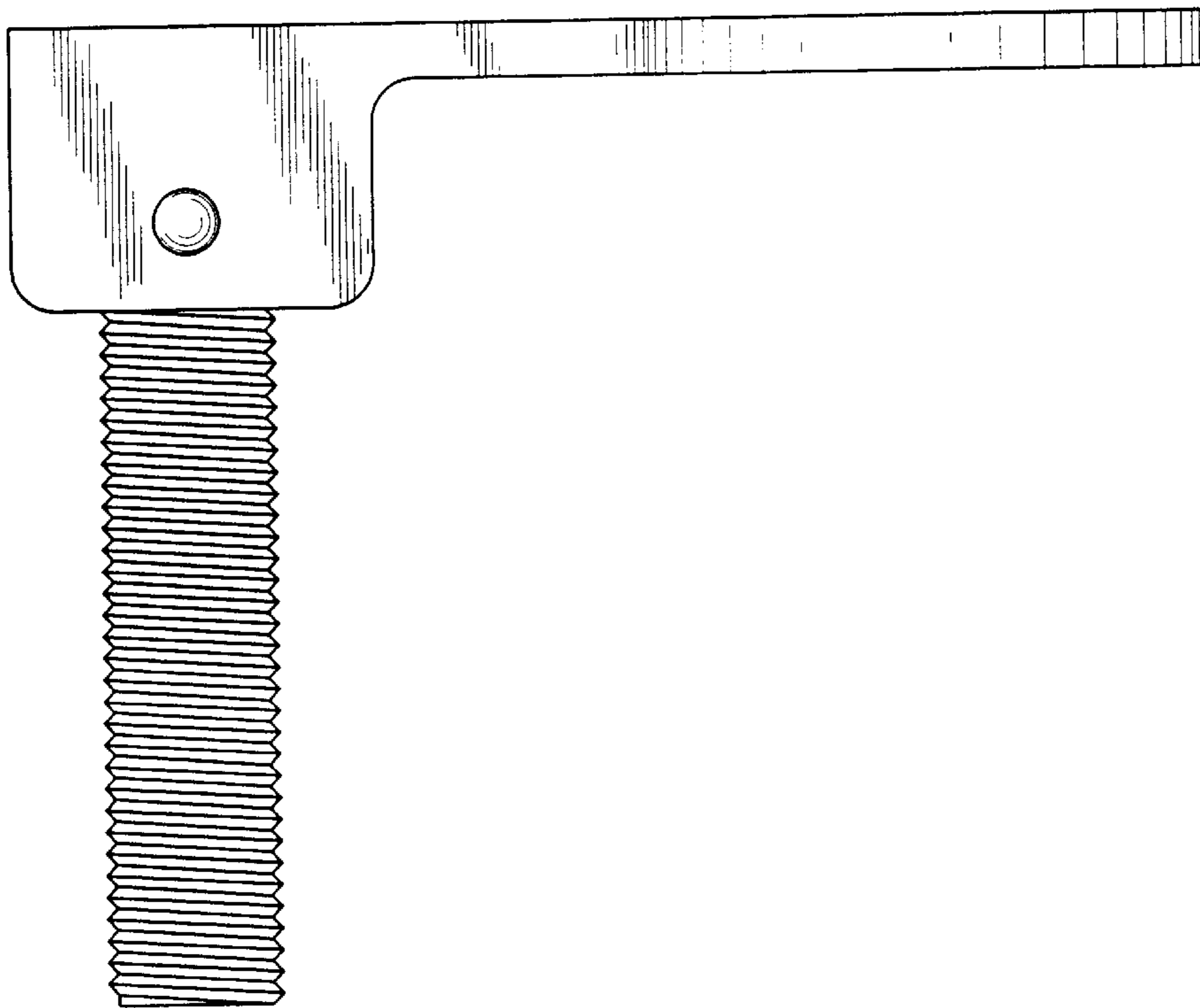


FIG. 2

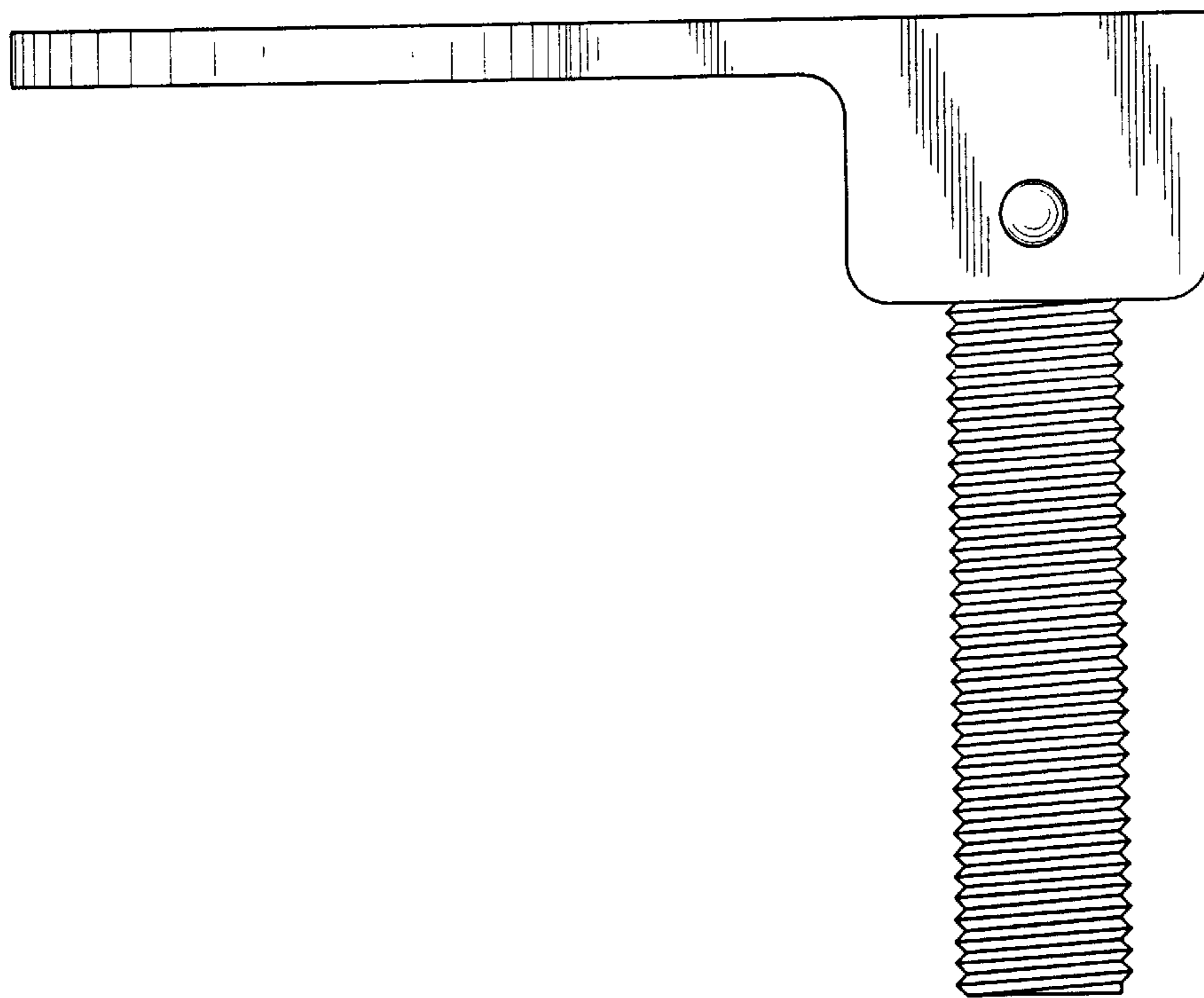


FIG. 3

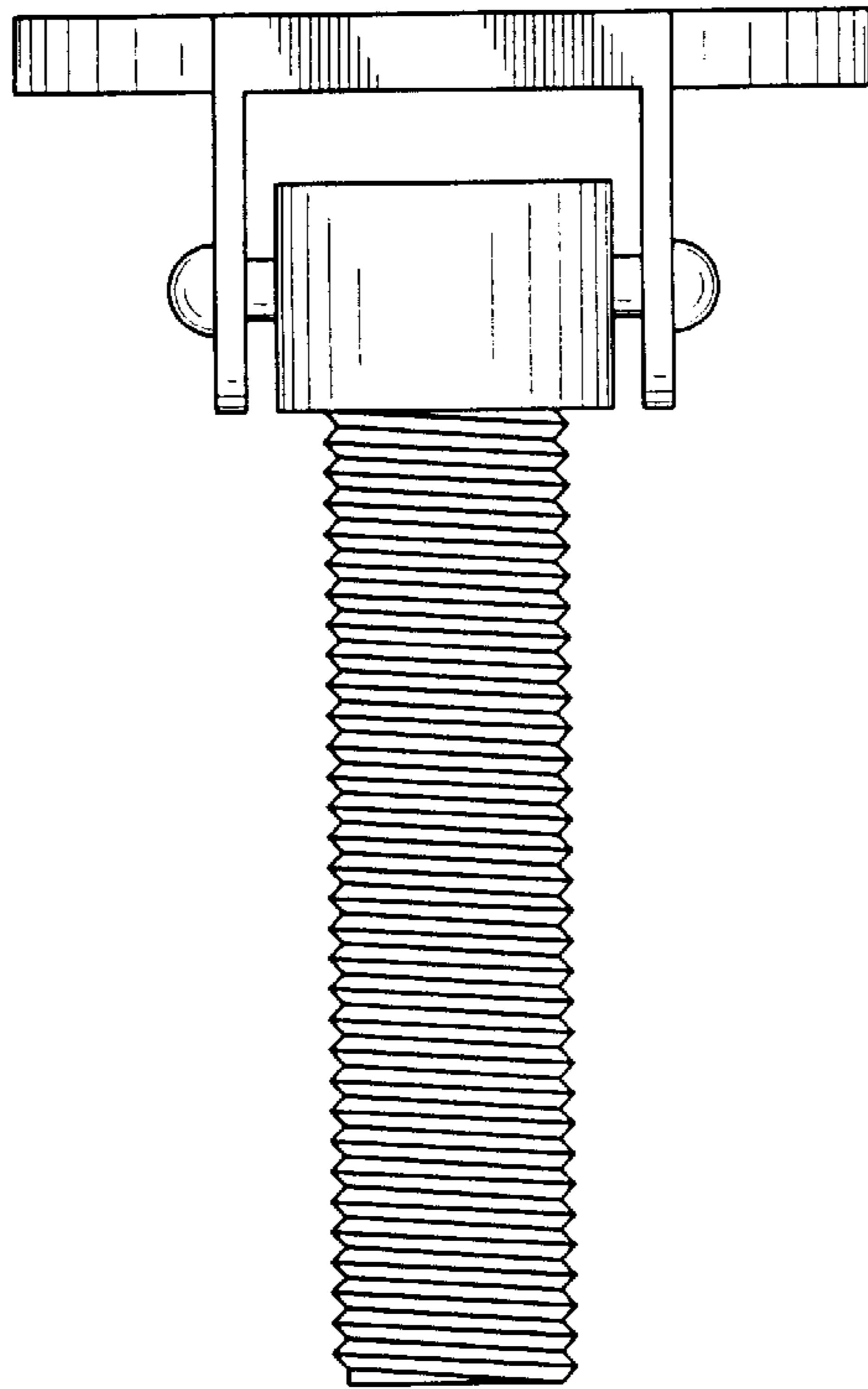


FIG. 4

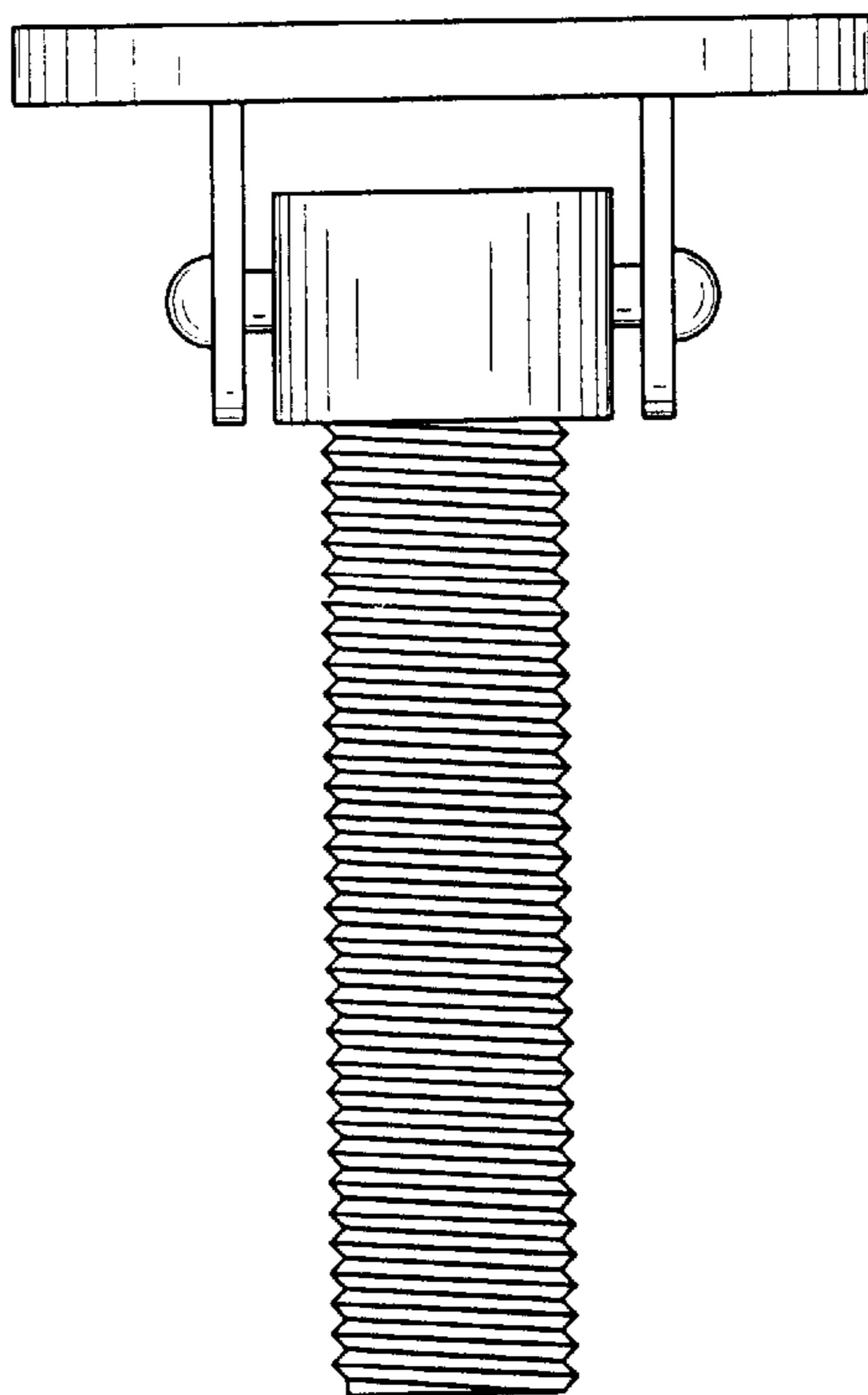


FIG. 5

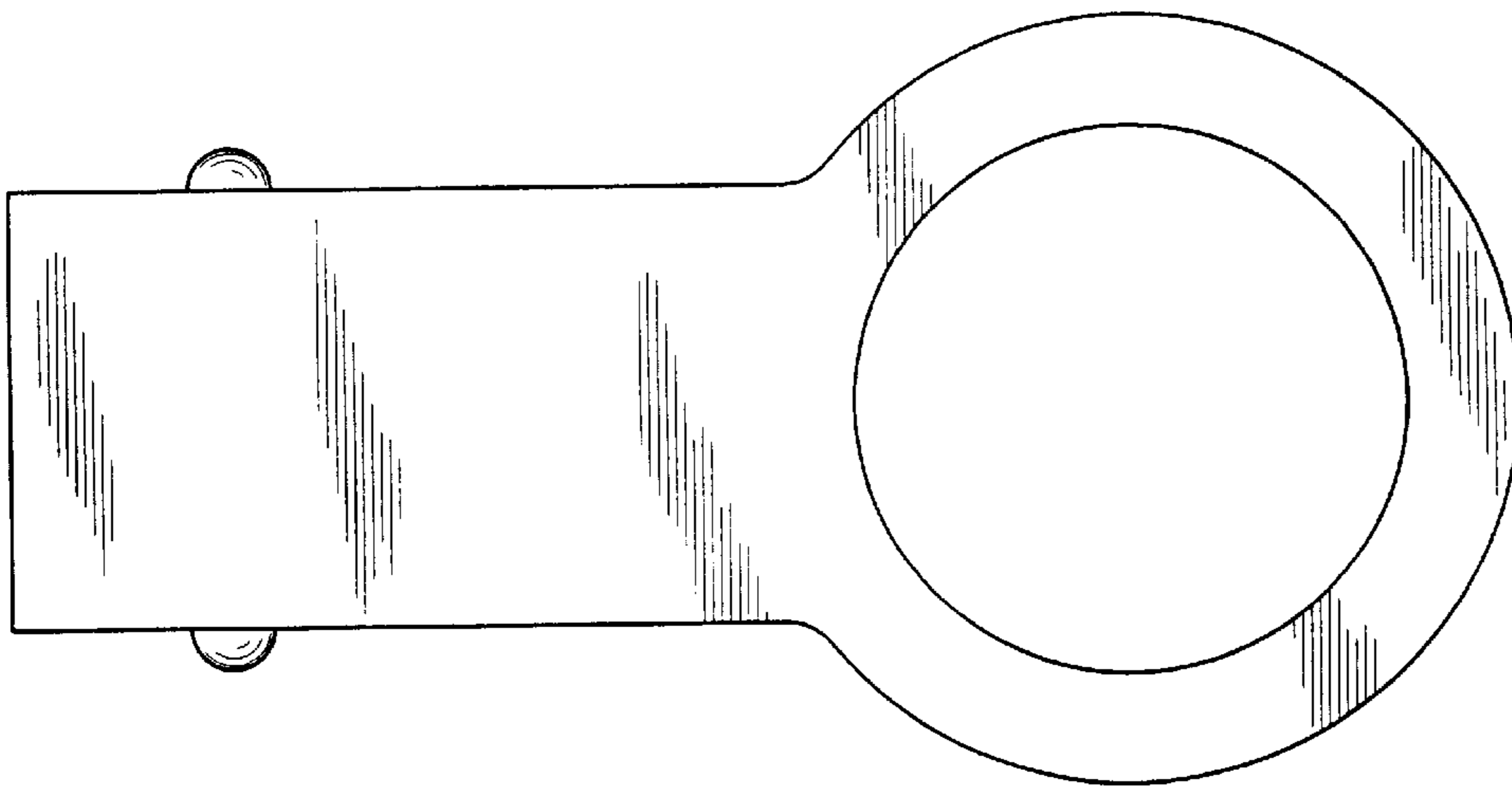


FIG. 6

