



US00D404982S

United States Patent [19] Fluent

[11] **Patent Number: Des. 404,982**

[45] **Date of Patent: **Feb. 2, 1999**

[54] **TOOL HANDLE**

[76] Inventor: **Troy E. Fluent**, 3008 Kensington Ct.,
Sioux City, Iowa 51104

[**] Term: **14 Years**

[21] Appl. No.: **73,077**

[22] Filed: **Jul. 2, 1997**

[51] **LOC (6) Cl. 08-01**

[52] **U.S. Cl. D8/11**

[58] **Field of Search** D8/1, 6-11, 13;
15/143.1, 144.1, 144.2, 144.3, 144.4; 172/371,
378, 380; 294/49, 54.5, 55, 55.5, 57, 58;
16/110 R, 111 R, 116 R

[56] **References Cited**

U.S. PATENT DOCUMENTS

D. 296,410	6/1988	Abbott	D8/10
D. 353,752	12/1994	Page	D8/11
D. 376,742	12/1996	Filowiak et al.	D8/13
1,350,028	8/1920	Larson et al.	294/55.5 X
2,680,643	6/1954	Cravotta	172/378 X
3,847,227	11/1974	Myers	172/378
4,793,646	12/1988	Michaud, Jr.	15/144.3 X
4,809,388	3/1989	Dietrich	15/143.1
5,528,792	6/1996	Nazemi	15/143.1 X

Primary Examiner—Alan P. Douglas

Assistant Examiner—Lavone D. Tabor
Attorney, Agent, or Firm—Zarley, McKee, Thomte,
Voorhees & Sease

[57] **CLAIM**

I claim the ornamental design for a tool handle, as shown and described.

DESCRIPTION

FIG. 1 is perspective view of the tool handle of the present invention;

FIG. 2 is a side elevation view of the tool handle;

FIG. 3 is a front view of the tool handle;

FIG. 4 is a rear view of the tool handle;

FIG. 5 is a top view of the tool handle;

FIG. 6 is a bottom view of the tool handle;

FIG. 7 is a perspective view of an alternative embodiment of the tool handle of the present invention;

FIG. 8 is a side elevation view of the alternative tool handle;

FIG. 9 is a front view of the alternative tool handle;

FIG. 10 is a rear view of the alternative tool handle;

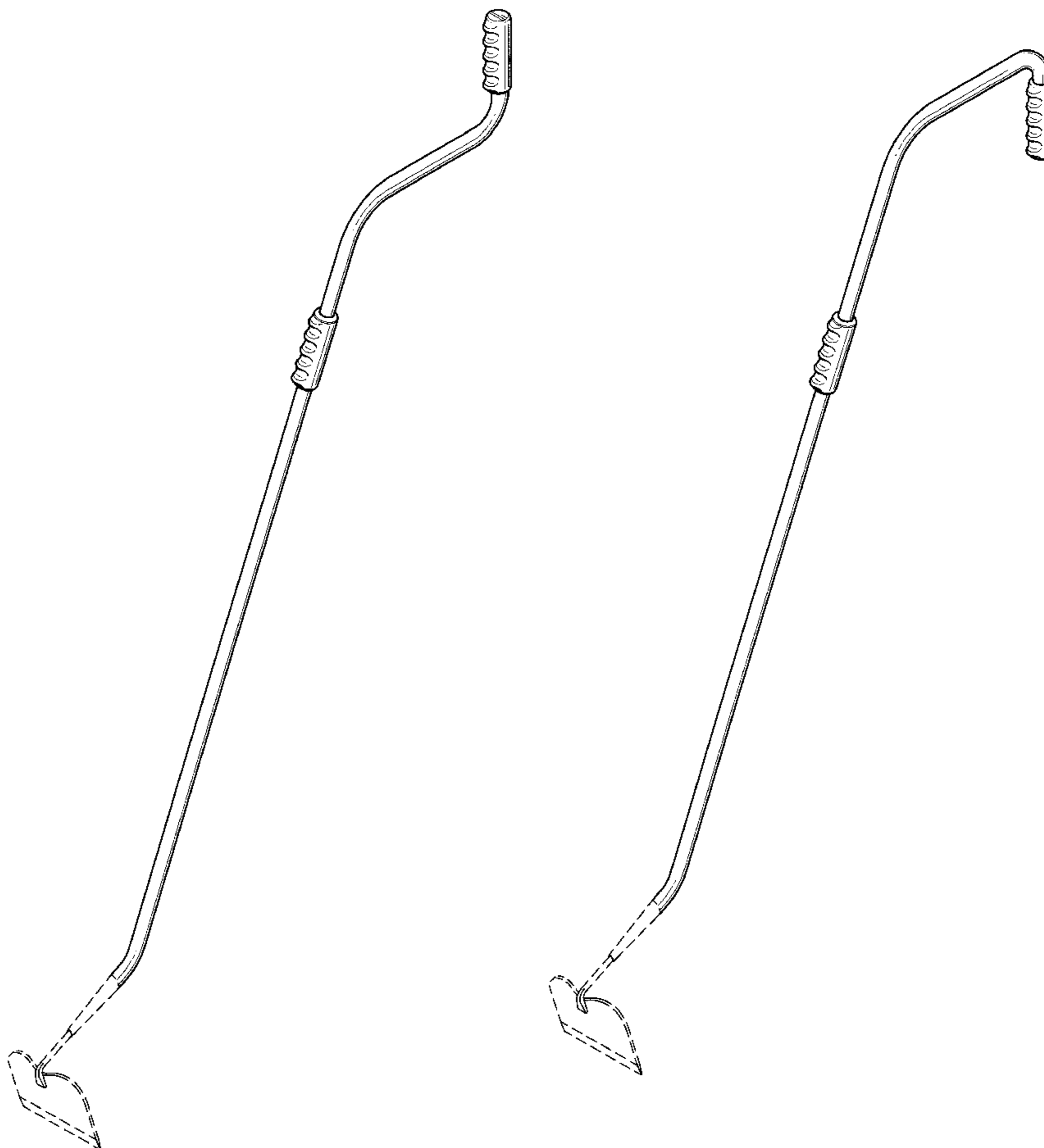
FIG. 11 is a top view of the alternative tool handle; and,

FIG. 12 is a bottom view of the alternative tool handle.

The broken lines are for illustrative purposes only and form no part of the claimed design.

The broken line which defines the bounds of the claimed design forms no part thereof.

1 Claim, 8 Drawing Sheets



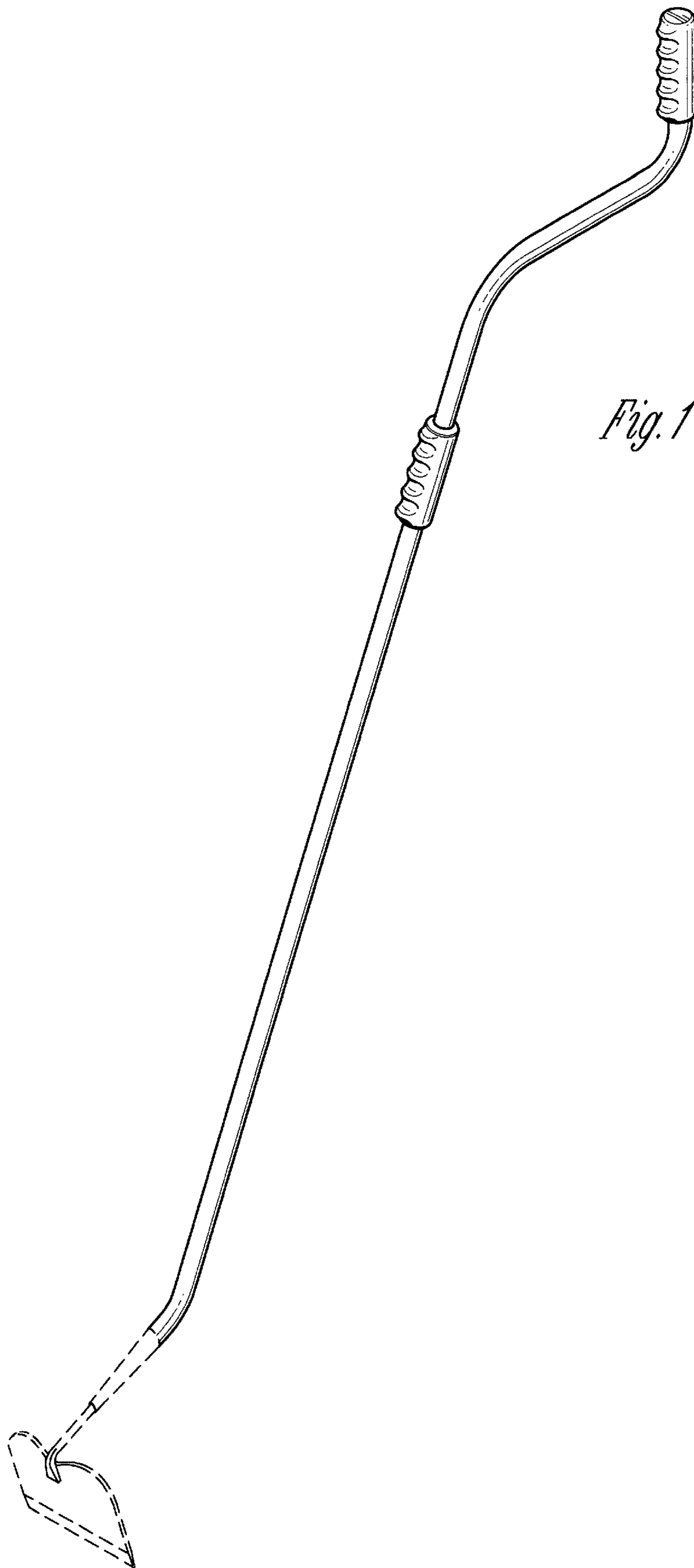


Fig. 1

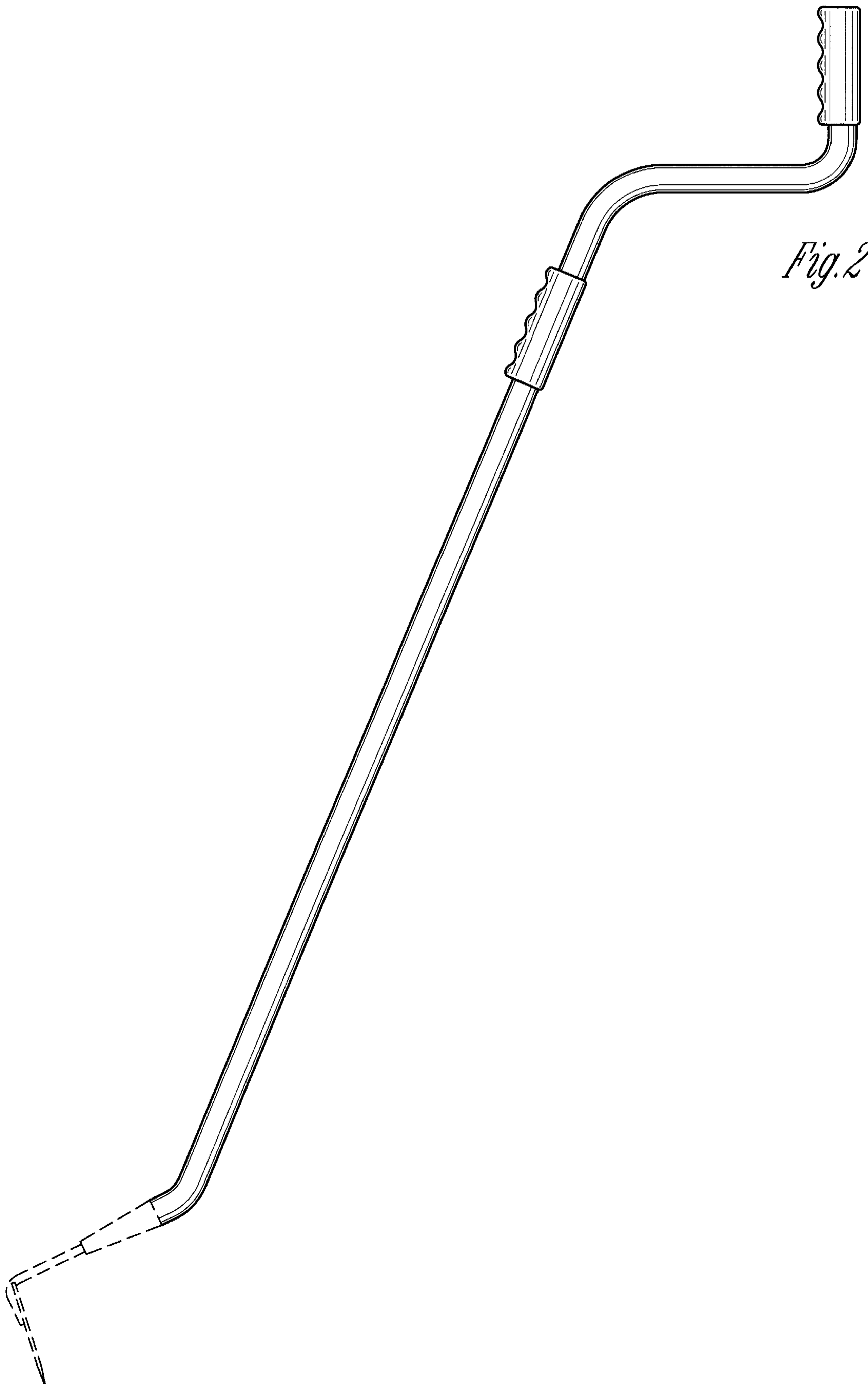


Fig. 2

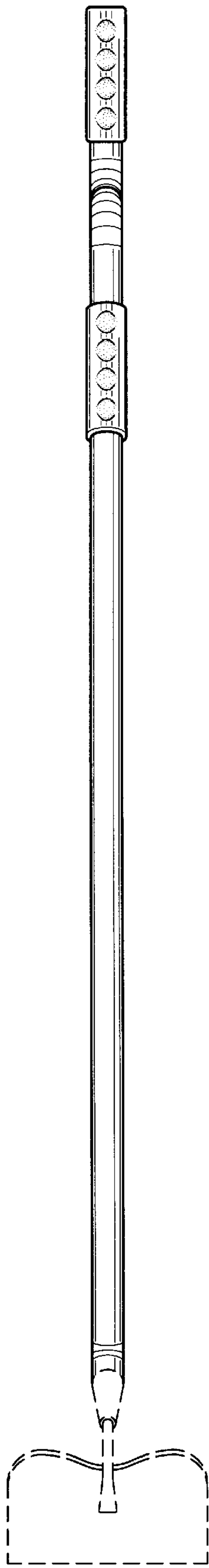


Fig. 3

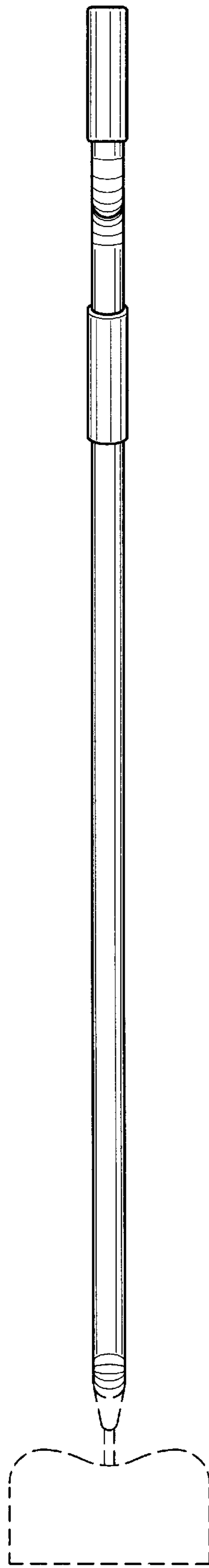


Fig. 4

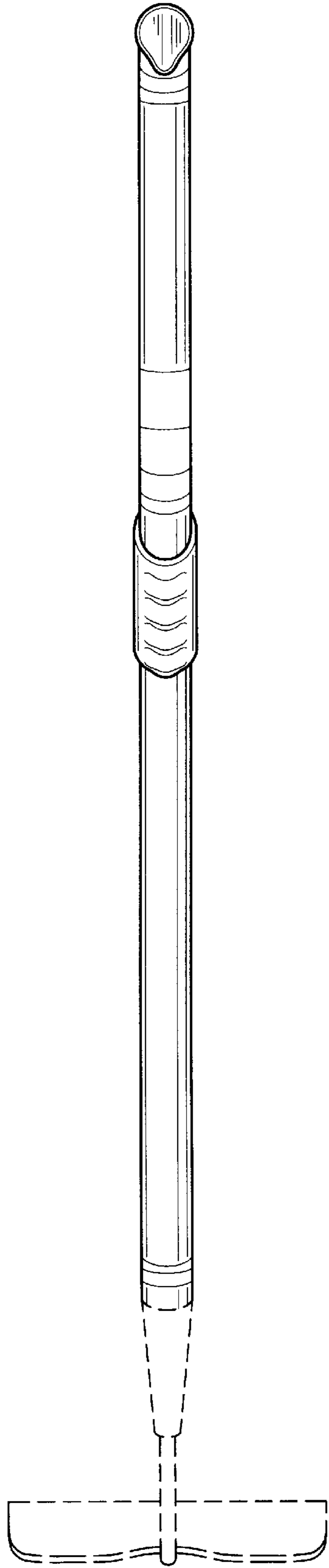


Fig. 5

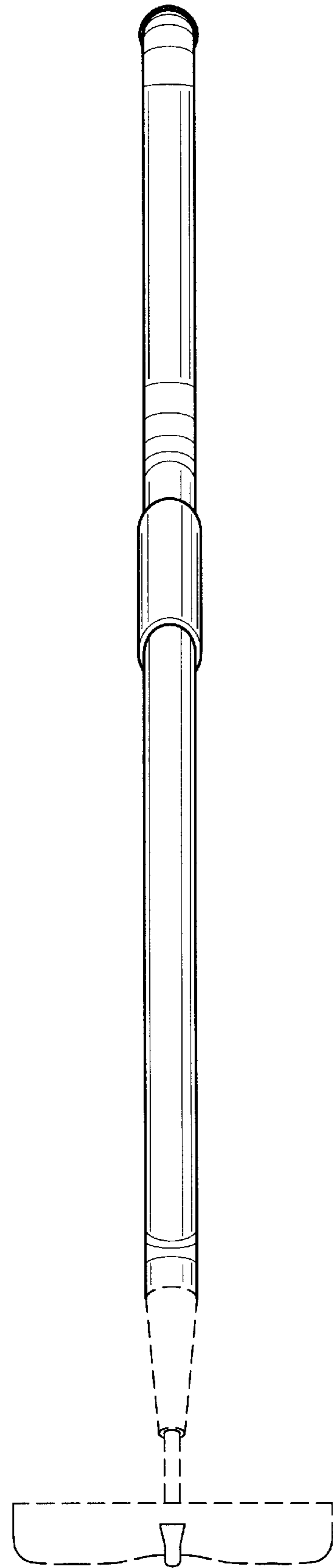
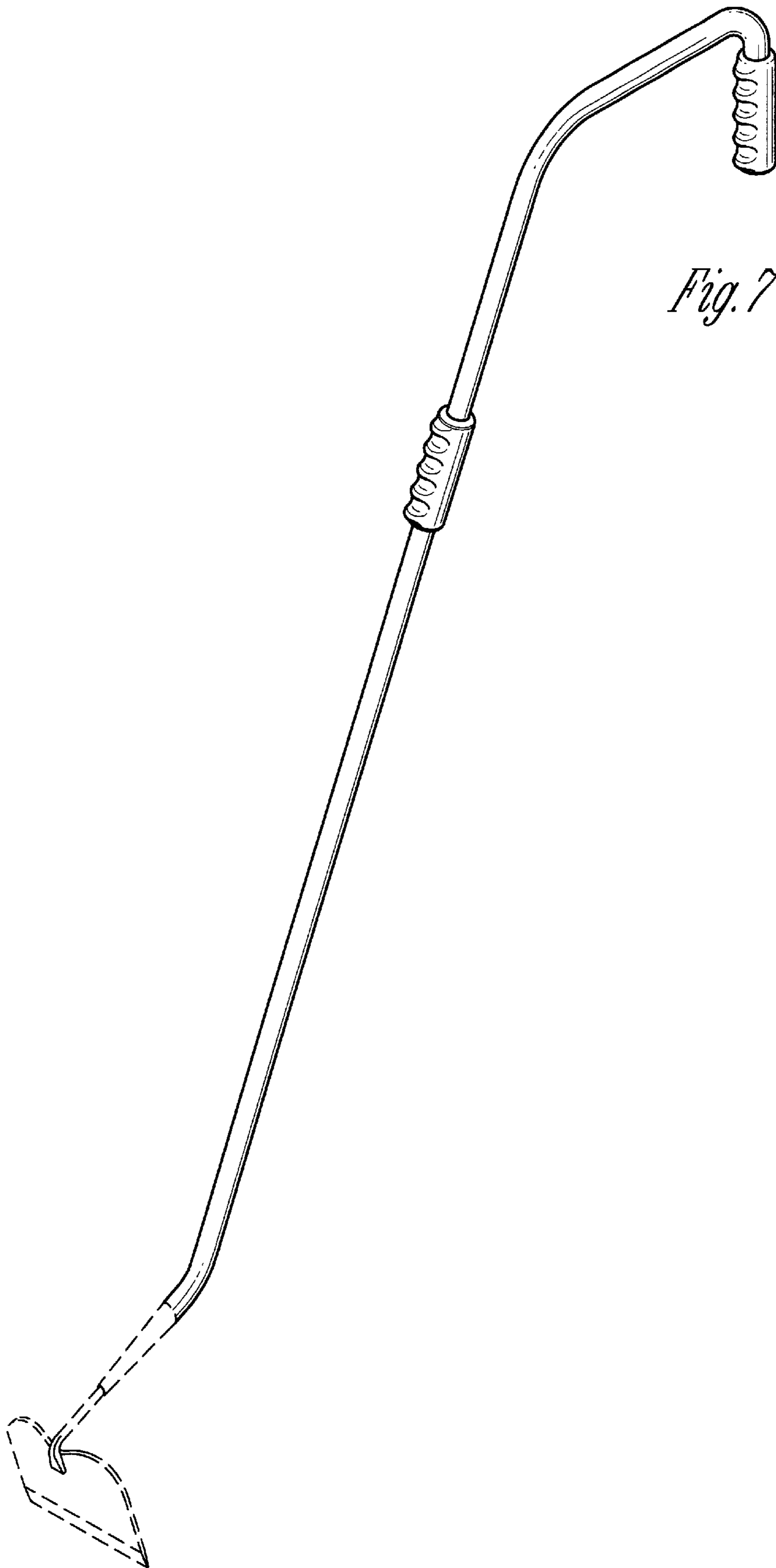
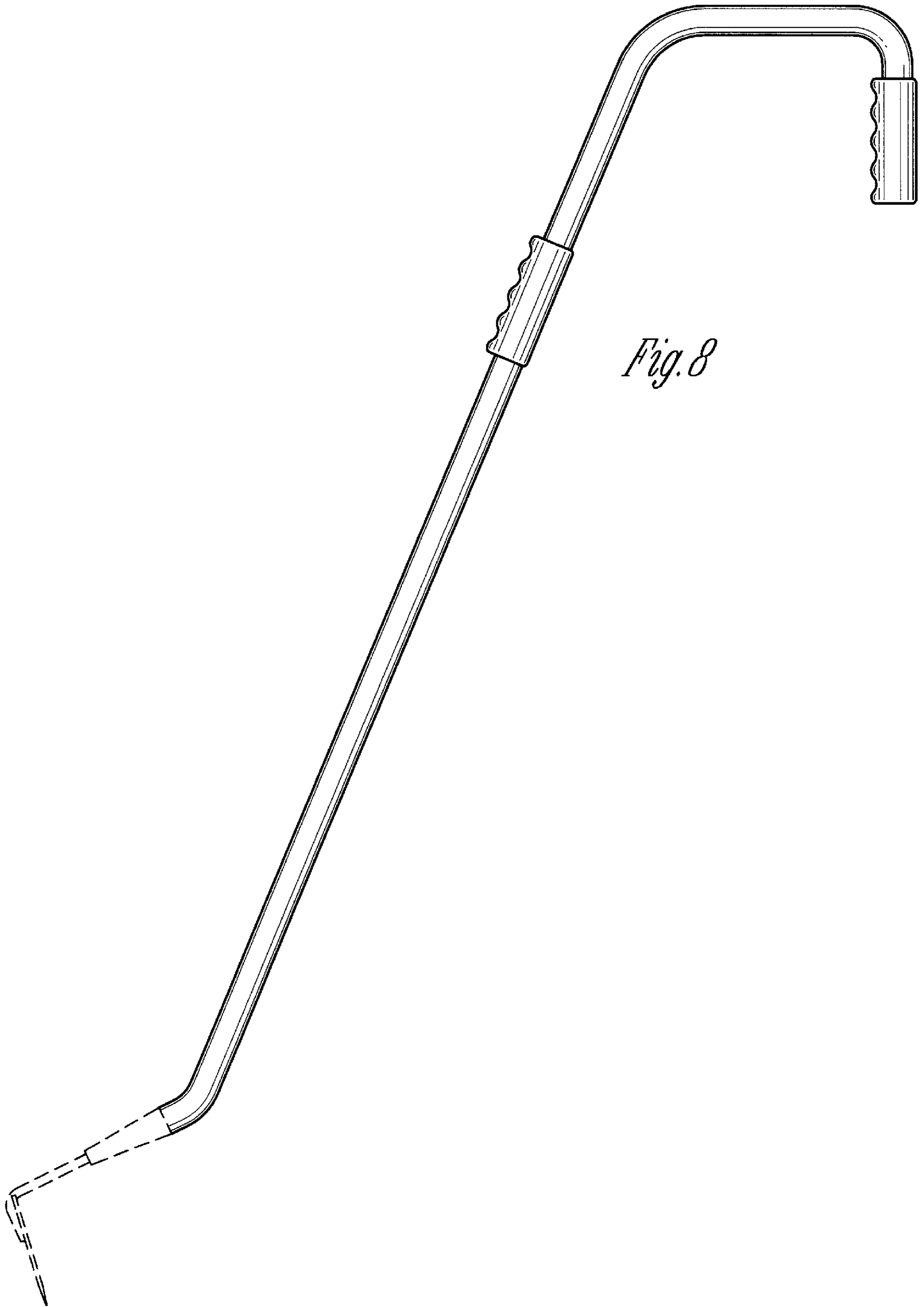


Fig. 6





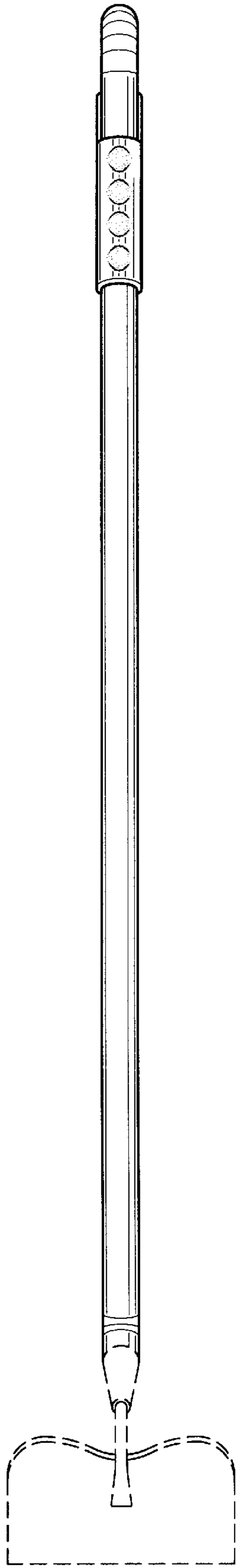


Fig. 9

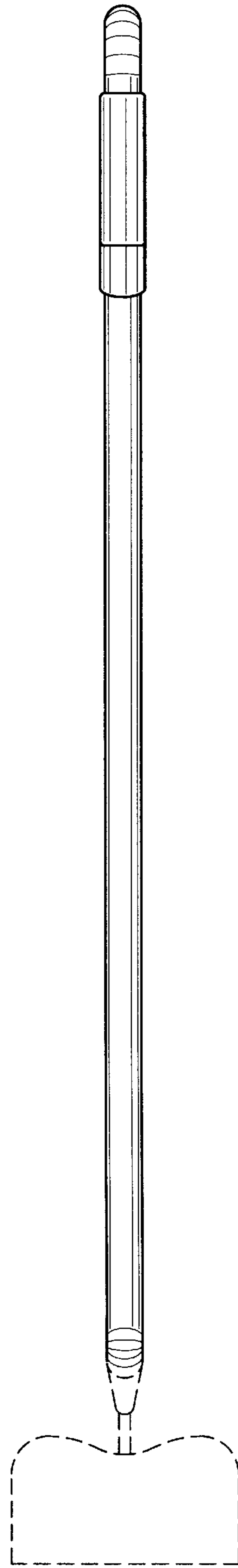


Fig. 10

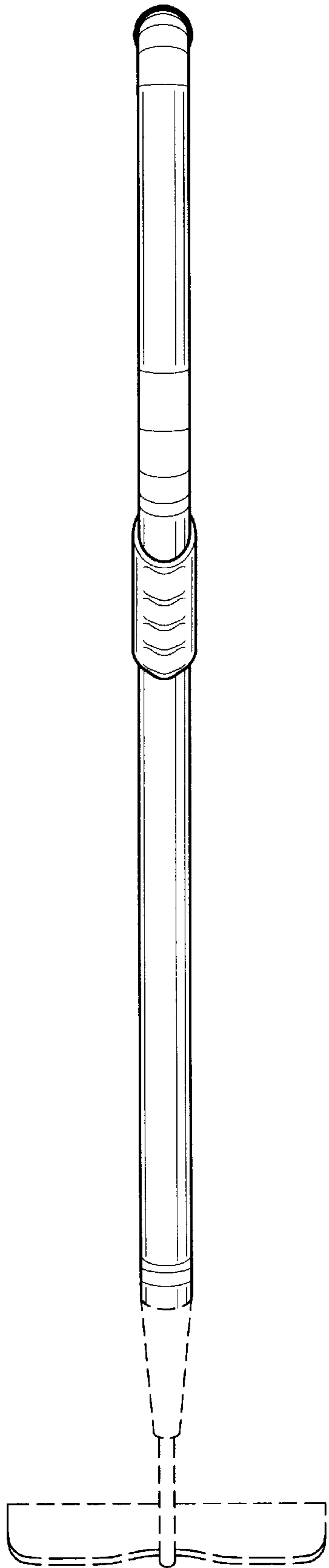


Fig. 11

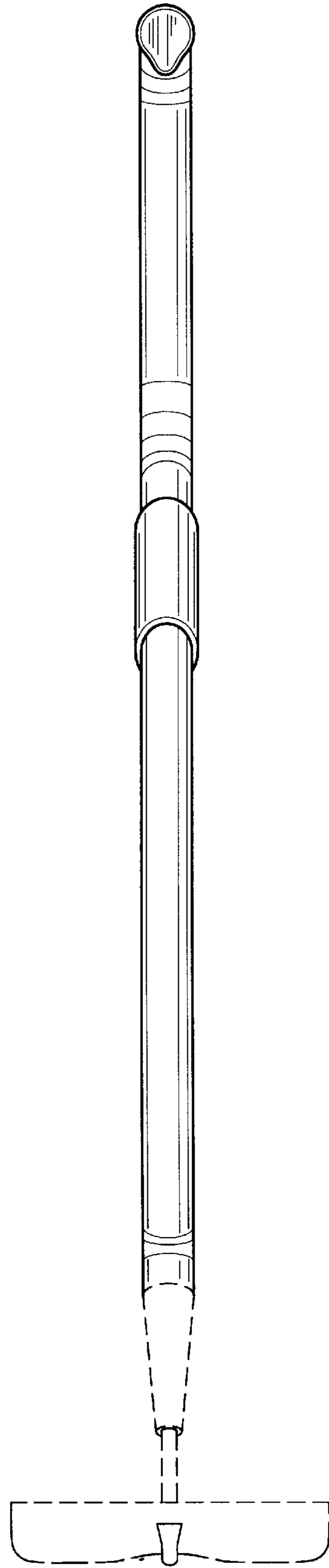


Fig. 12