



US00D404979S

United States Patent [19]

Harman et al.

[11] **Patent Number: Des. 404,979**

[45] **Date of Patent: **Feb. 2, 1999**

[54] **BOTTLE-ATTACHING FUNNEL**

[76] Inventors: **Walter D. Harman**, 6990 Bucktrout Pl., Worthington, Ohio 43235; **Douglas K. Harman**, 5030 Postlewaite Rd., Columbus, Ohio 43235

[**] Term: **14 Years**

[21] Appl. No.: **85,375**

[22] Filed: **Mar. 17, 1998**

[51] **LOC (6) Cl.** **07-99**

[52] **U.S. Cl.** **D7/700**

[58] **Field of Search** **D7/700; D23/200; 141/297-300, 331-345**

[56] **References Cited**

U.S. PATENT DOCUMENTS

D. 230,629 3/1974 Camp et al. D7/700 X

Primary Examiner—Terry A. Wallace
Attorney, Agent, or Firm—Standley & Gilcrest

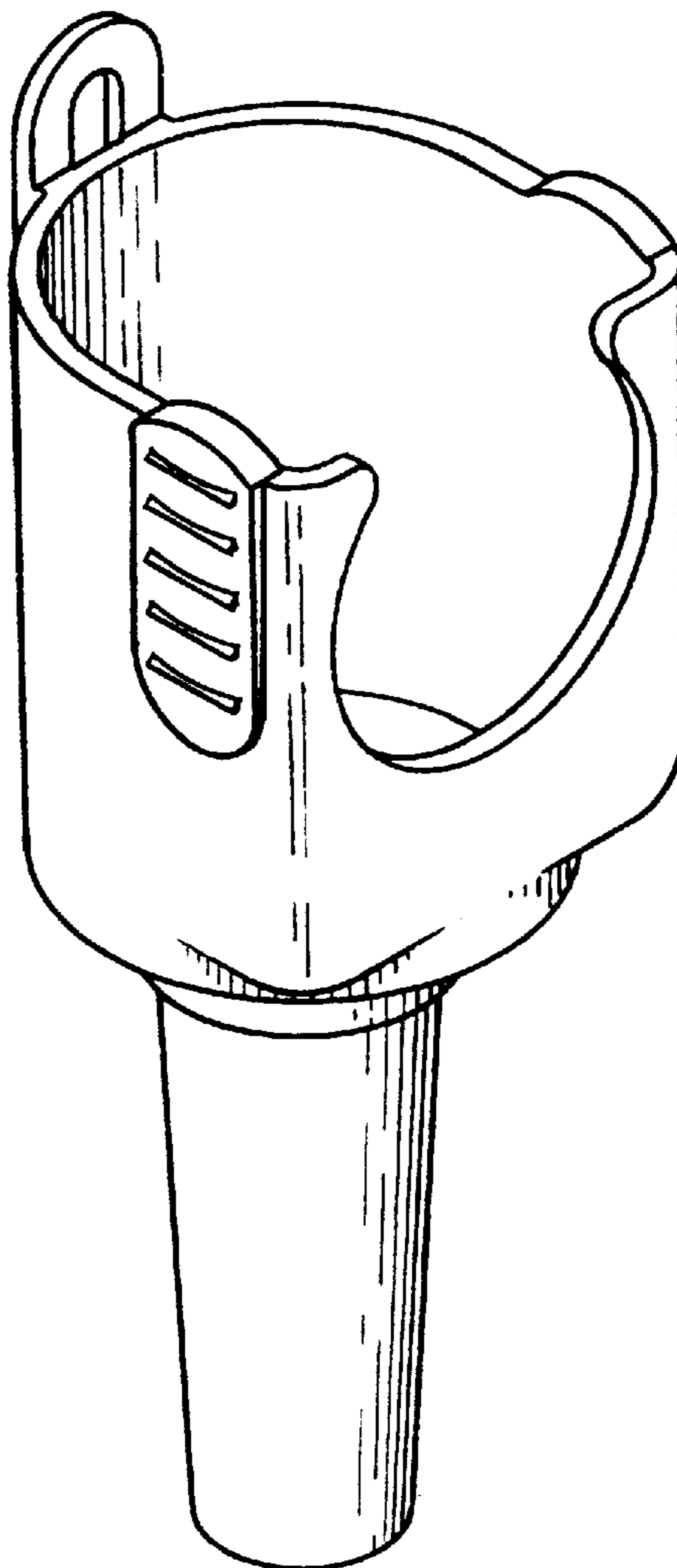
[57] **CLAIM**

The ornamental design for an bottle-attaching funnel, as shown and described.

DESCRIPTION

FIG. 1 is a left side elevation view of a bottle-attaching funnel showing our new design;
FIG. 2 is a right side elevation view thereof;
FIG. 3 is a rear elevation view thereof;
FIG. 4 is a front elevation view thereof;
FIG. 5 is a top plan view thereof;
FIG. 6 is a bottom plan view thereof; and,
FIG. 7 is a perspective view thereof.

1 Claim, 2 Drawing Sheets



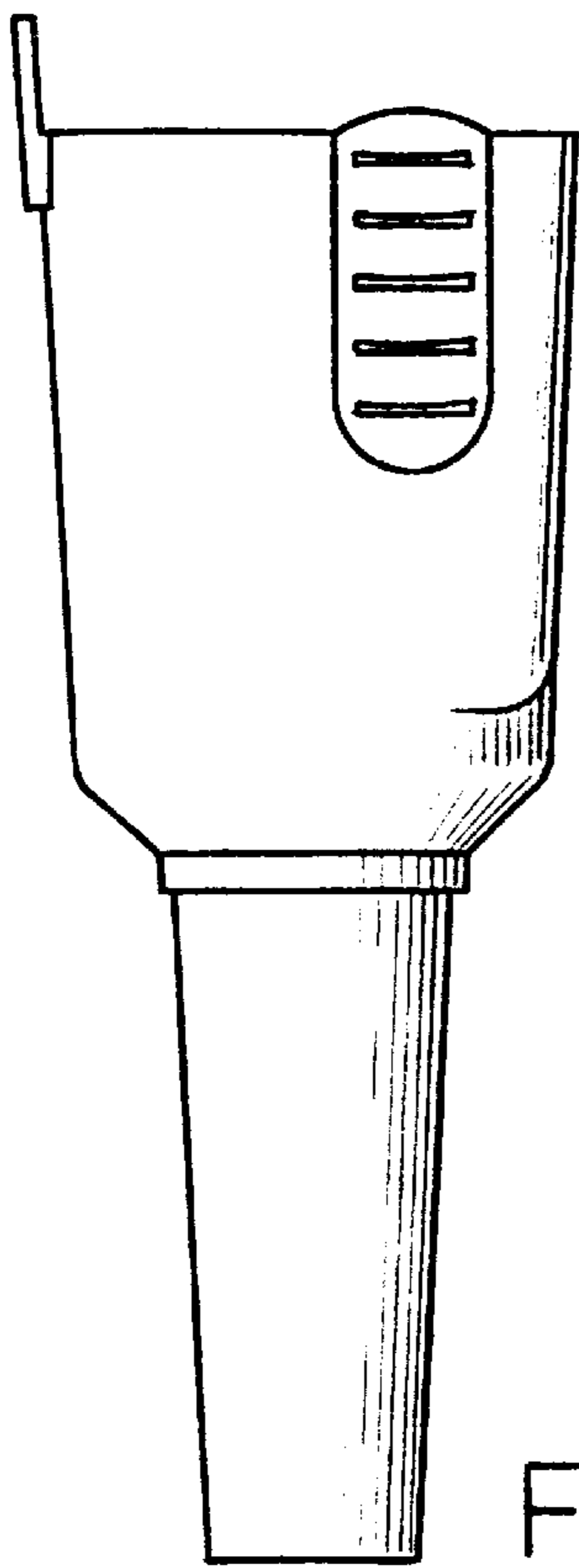


FIG. 1

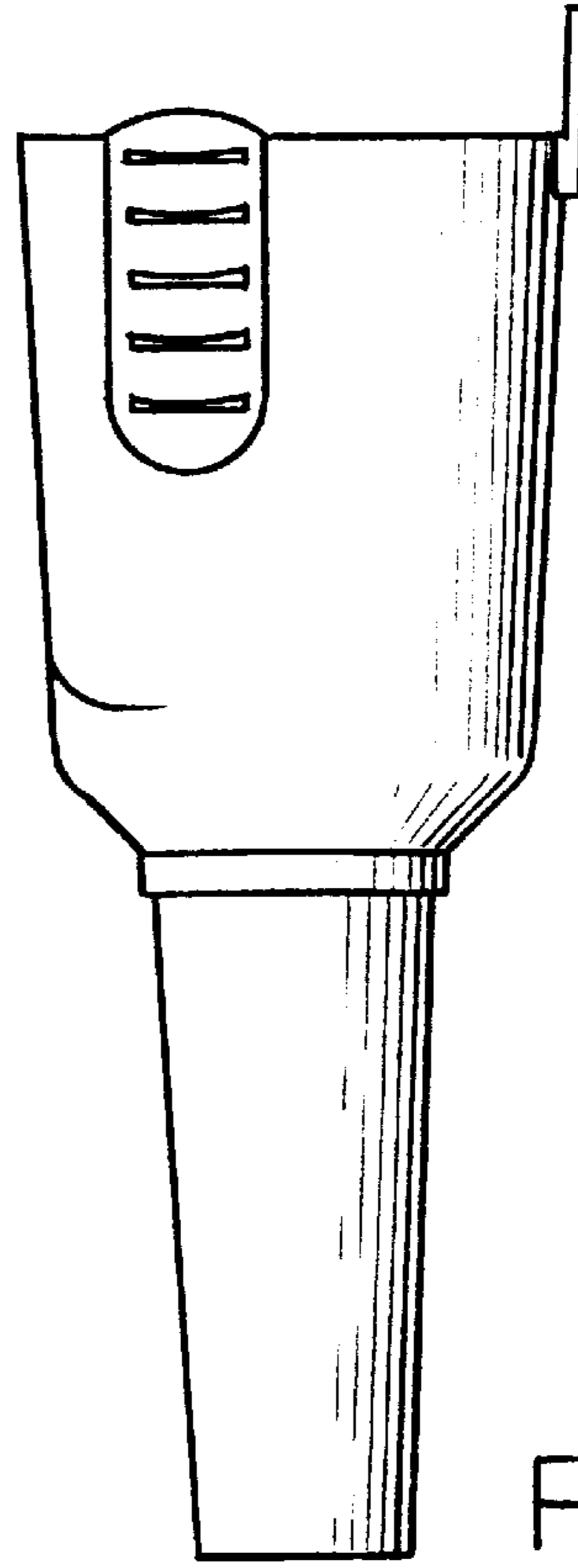


FIG. 2

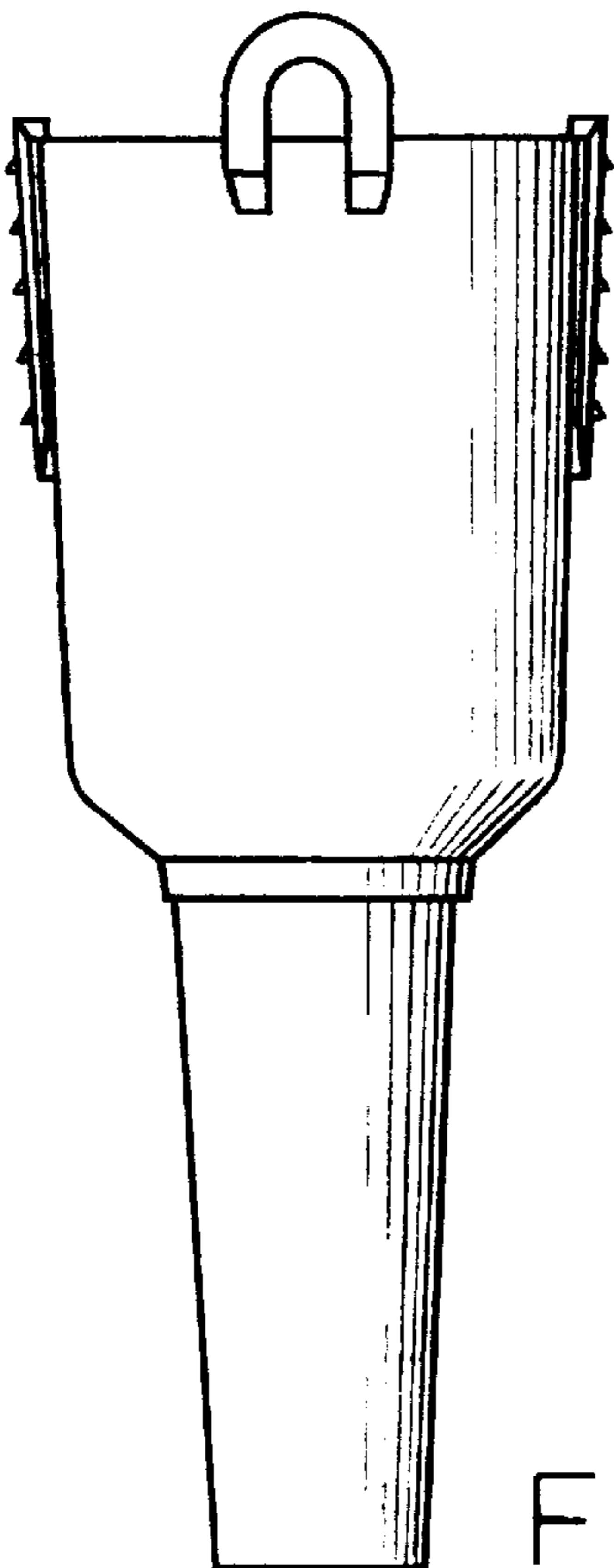


FIG. 3

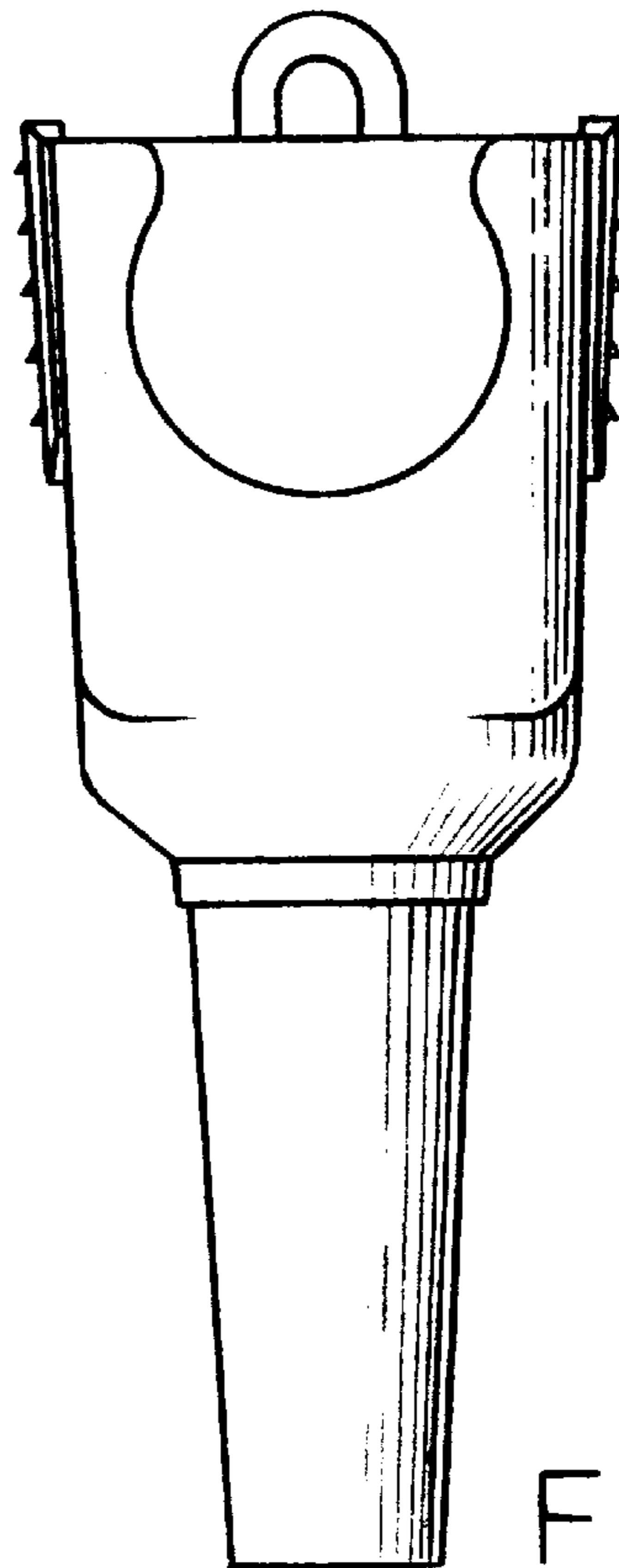


FIG. 4

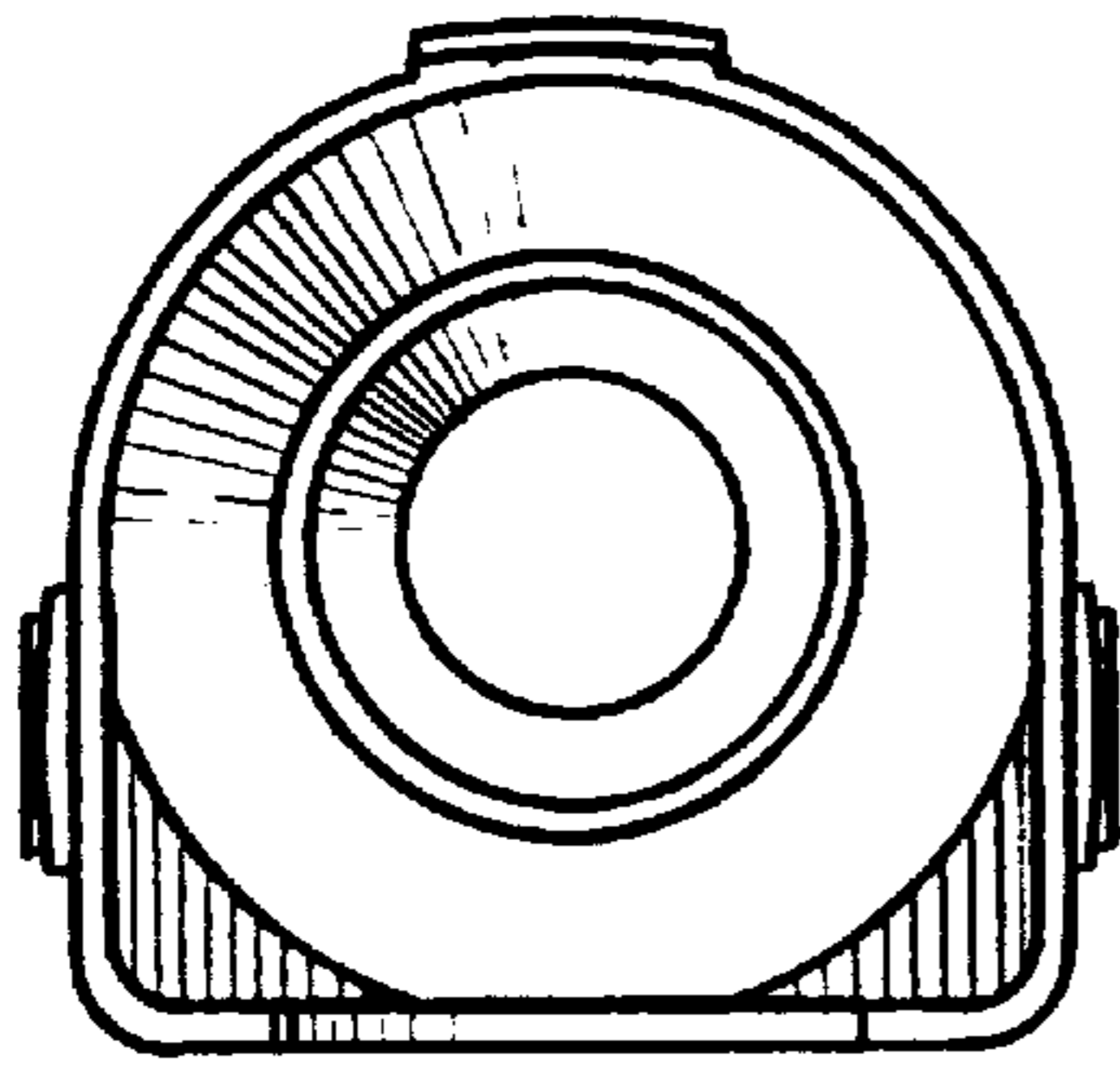


FIG. 5

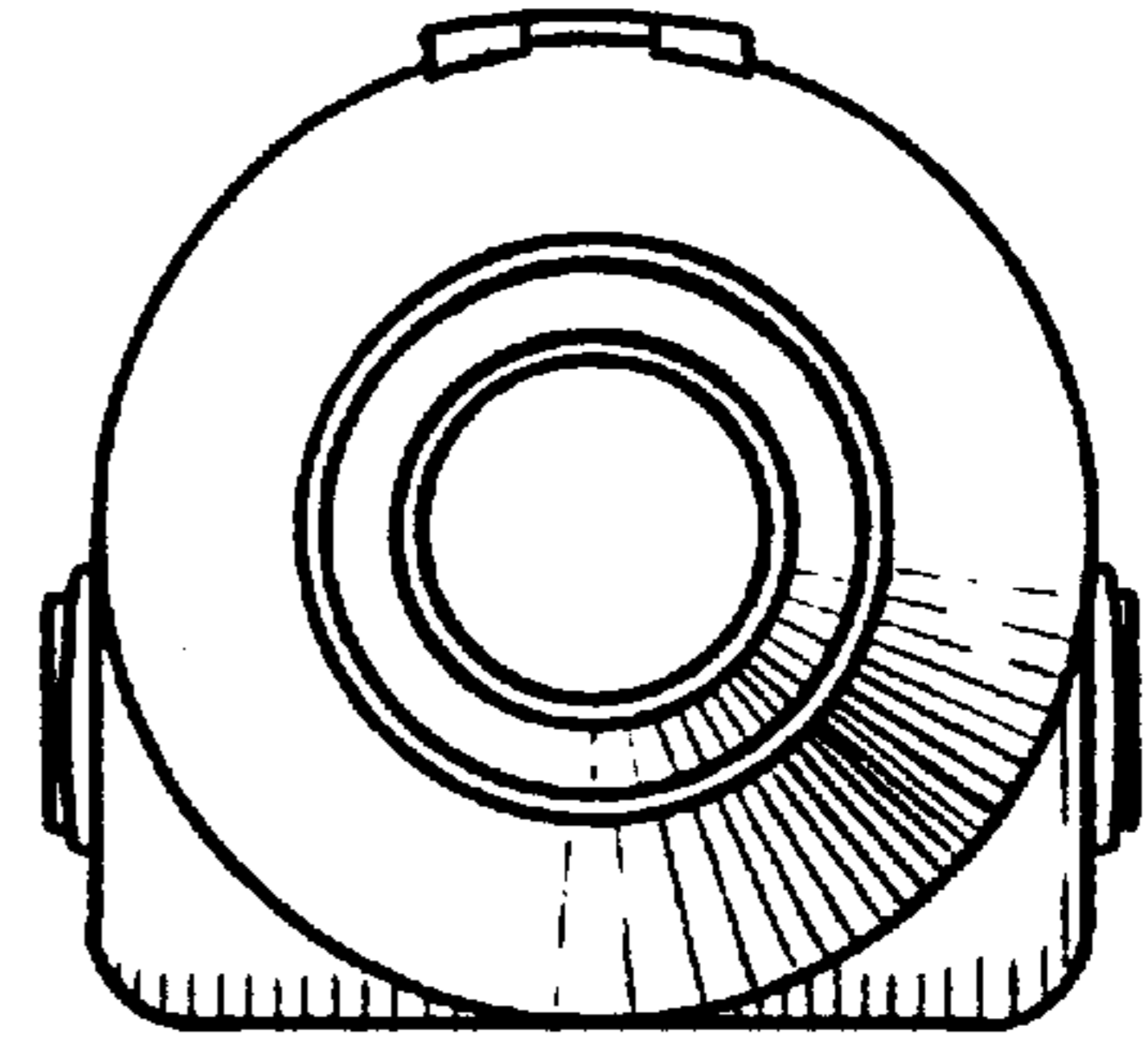


FIG. 6

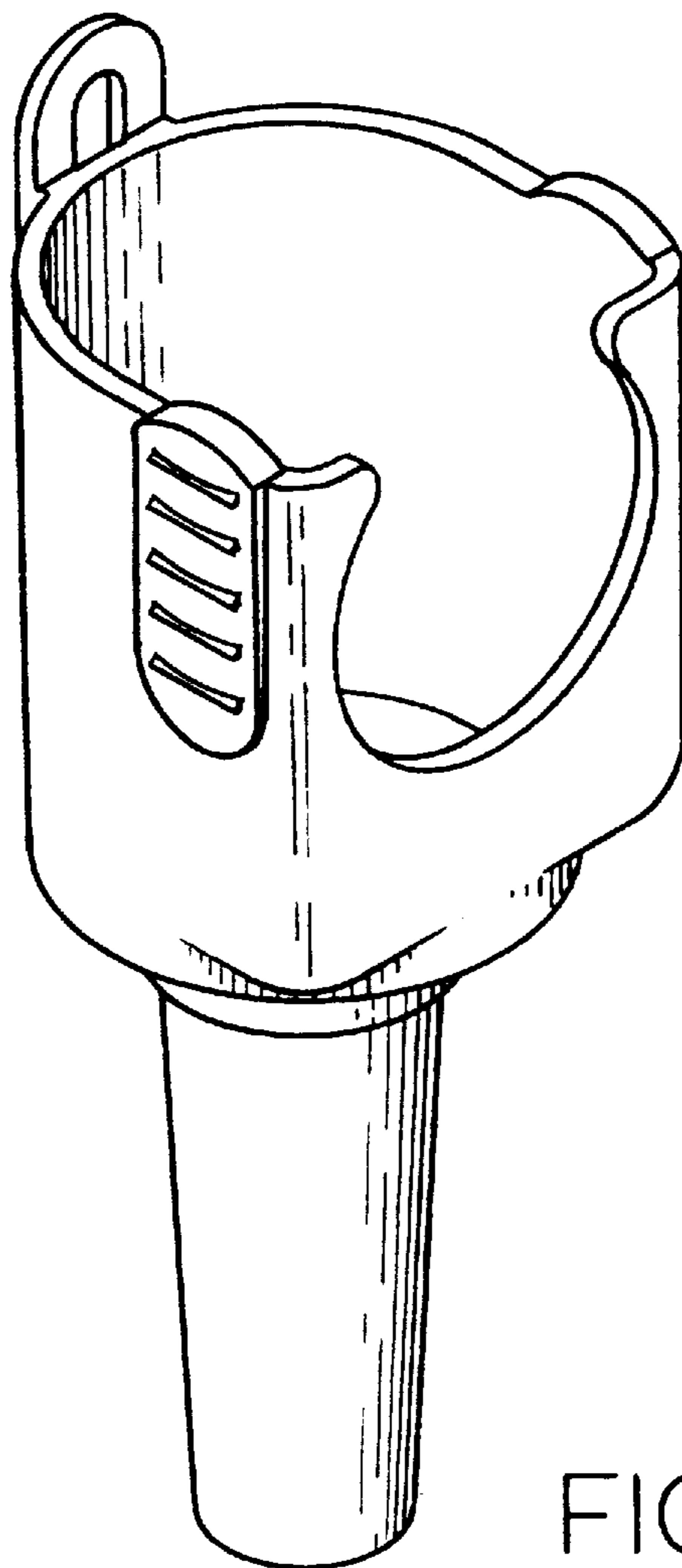


FIG. 7