

US00D404978S

# United States Patent [19]

Youngblood, Jr.

[11] **Patent Number:** **Des. 404,978**

[45] **Date of Patent:** **\*\*Feb. 2, 1999**

[54] **OYSTER OPENER**

D. 358,307 5/1995 Plamann et al. .... D7/693

[76] Inventor: **John H. Youngblood, Jr.**, P.O. Box 675  
Highway 11 South, McNeill, Miss.  
39457

*Primary Examiner*—Terry A. Wallace

[\*\*] Term: **14 Years**

[57] **CLAIM**

The ornamental design for a oyster opener, as shown and described.

[21] Appl. No.: **11,666**

**DESCRIPTION**

[22] Filed: **Aug. 12, 1993**

[51] **LOC (6) Cl.** ..... **07-06**

[52] **U.S. Cl.** ..... **D7/693**

[58] **Field of Search** ..... D7/680, 693; 30/120.2,  
30/120.5; 452/6, 13, 17, 102

FIG. 1 is a front elevational view of the oyster opener showing my new design;

FIG. 2 is a rear elevational view thereof;

FIG. 3 is a left side elevational view thereof;

FIG. 4 is a right side elevational view thereof;

FIG. 5 is a top plan view thereof; and,

FIG. 6 is a bottom plan view thereof.

[56] **References Cited**

**U.S. PATENT DOCUMENTS**

D. 309,408 7/1990 Bell ..... D7/693

**1 Claim, 3 Drawing Sheets**

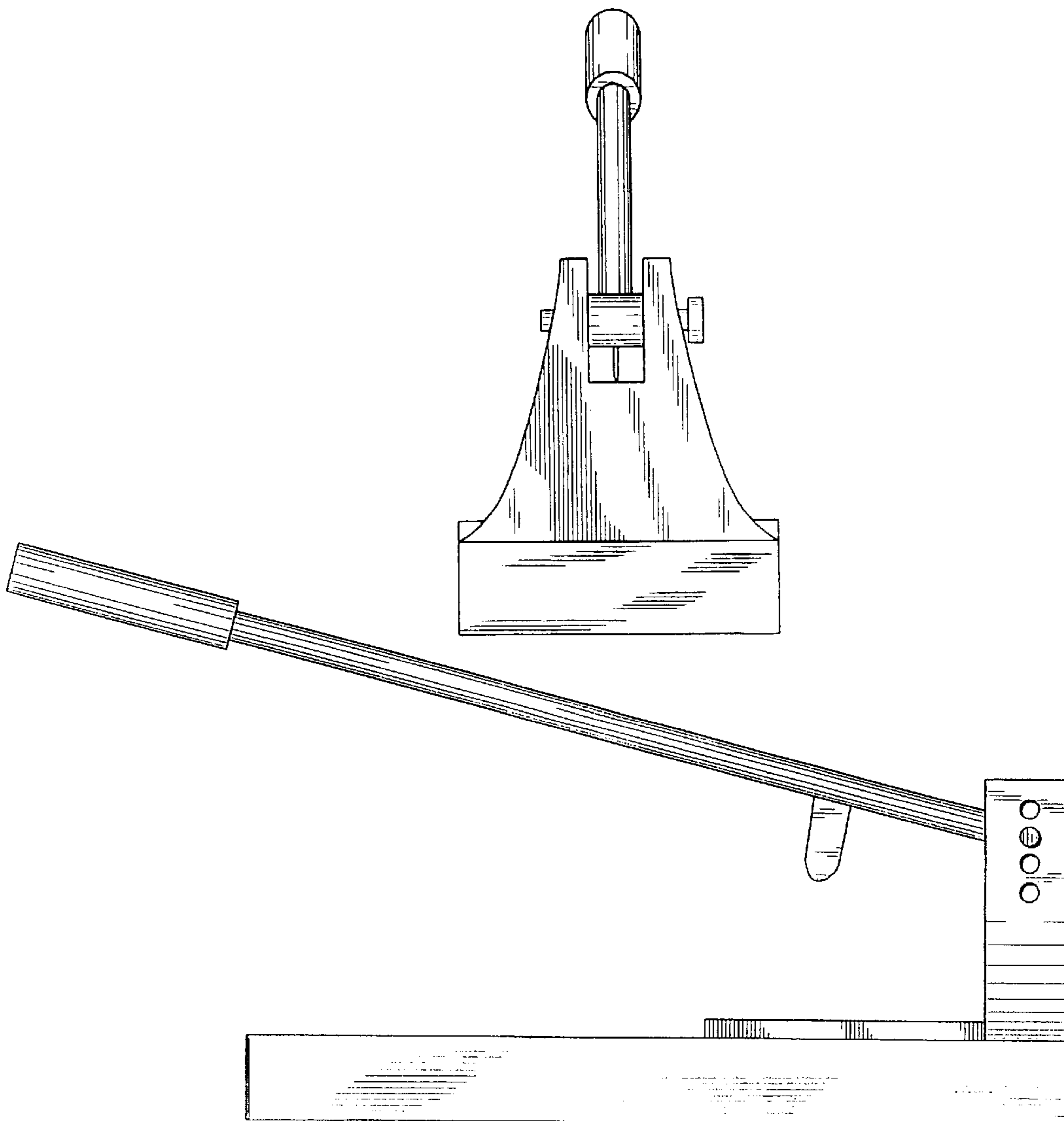


FIG. 1

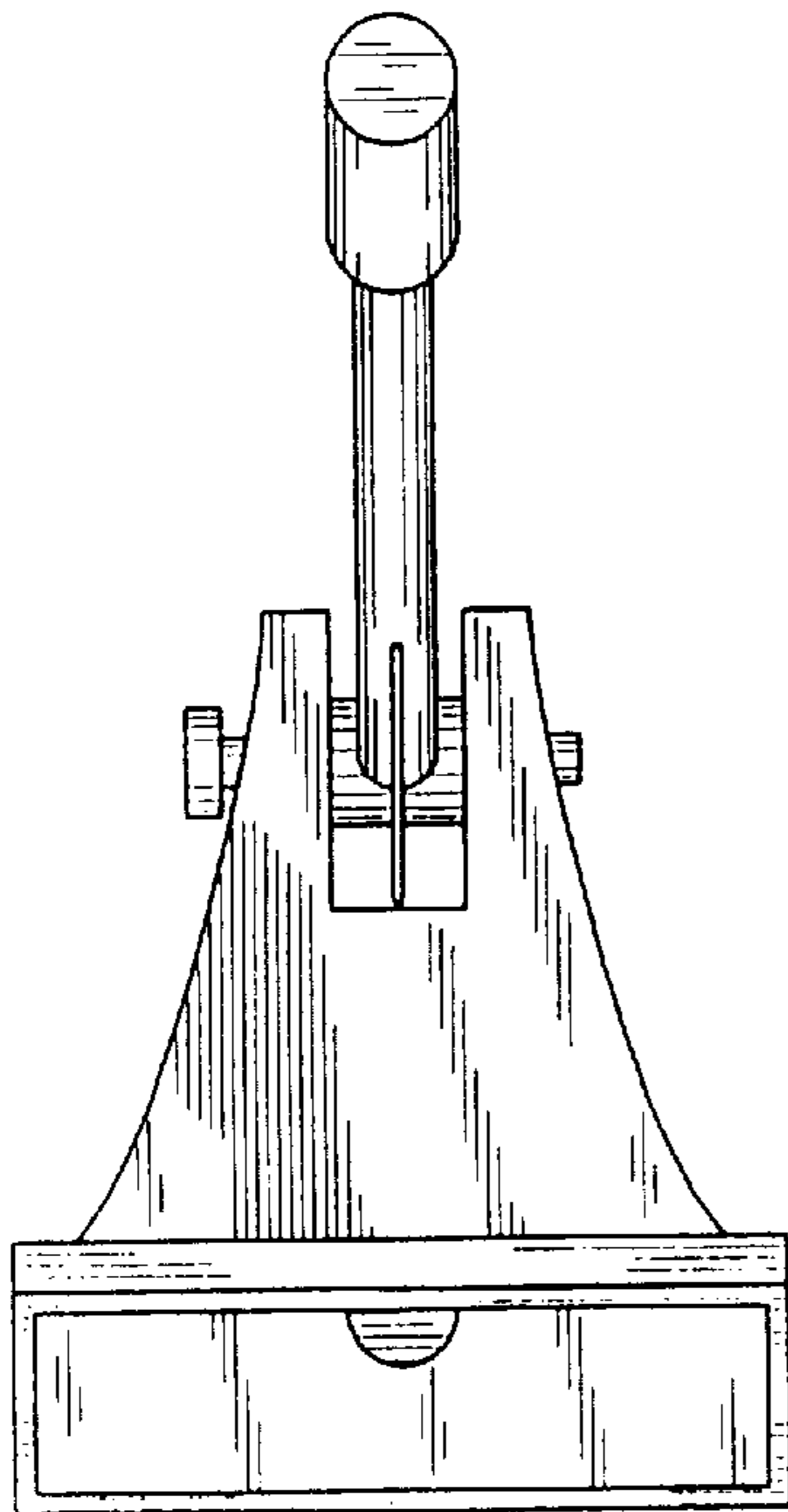


FIG. 2

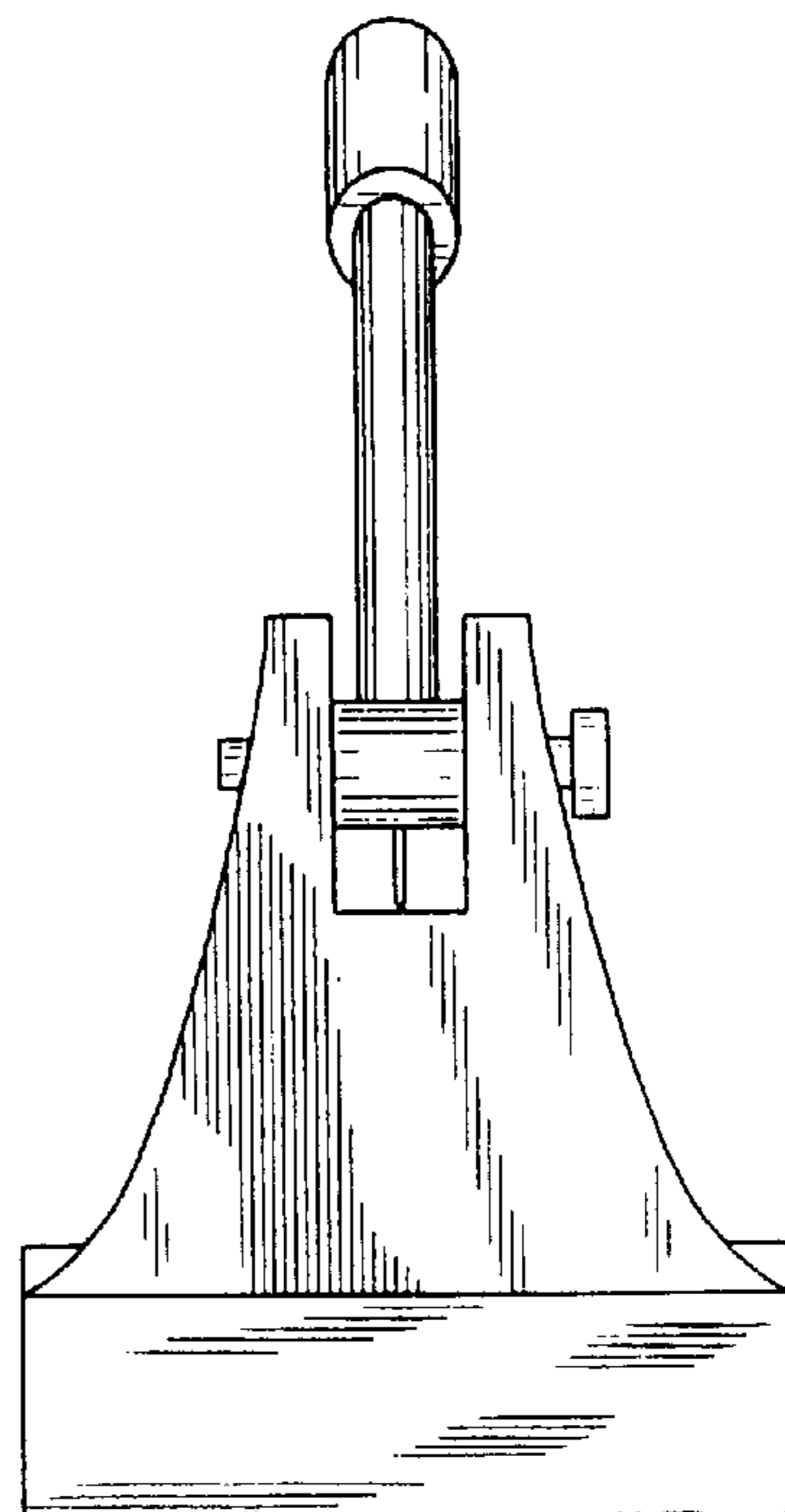


FIG. 3

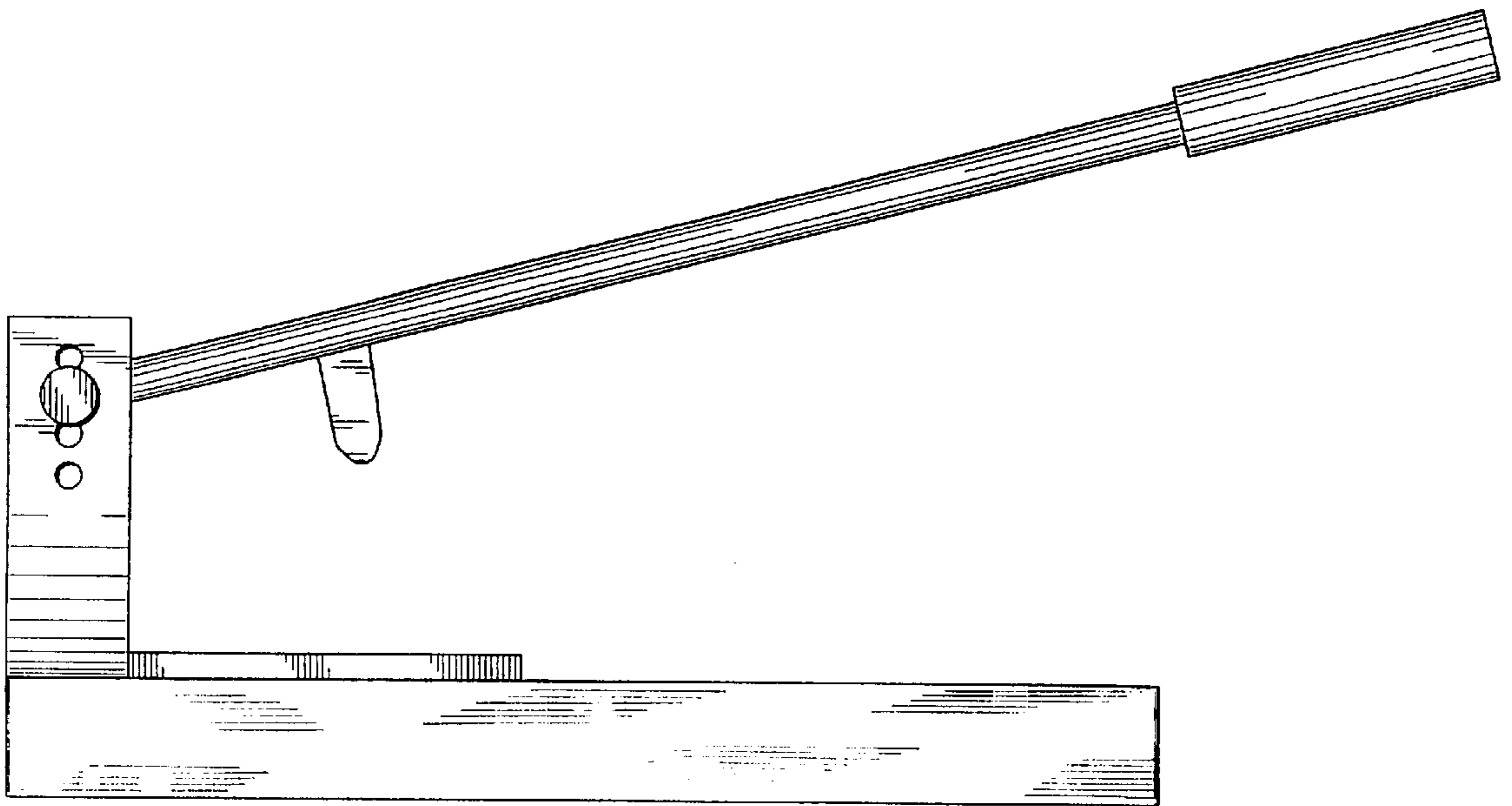


FIG. 4

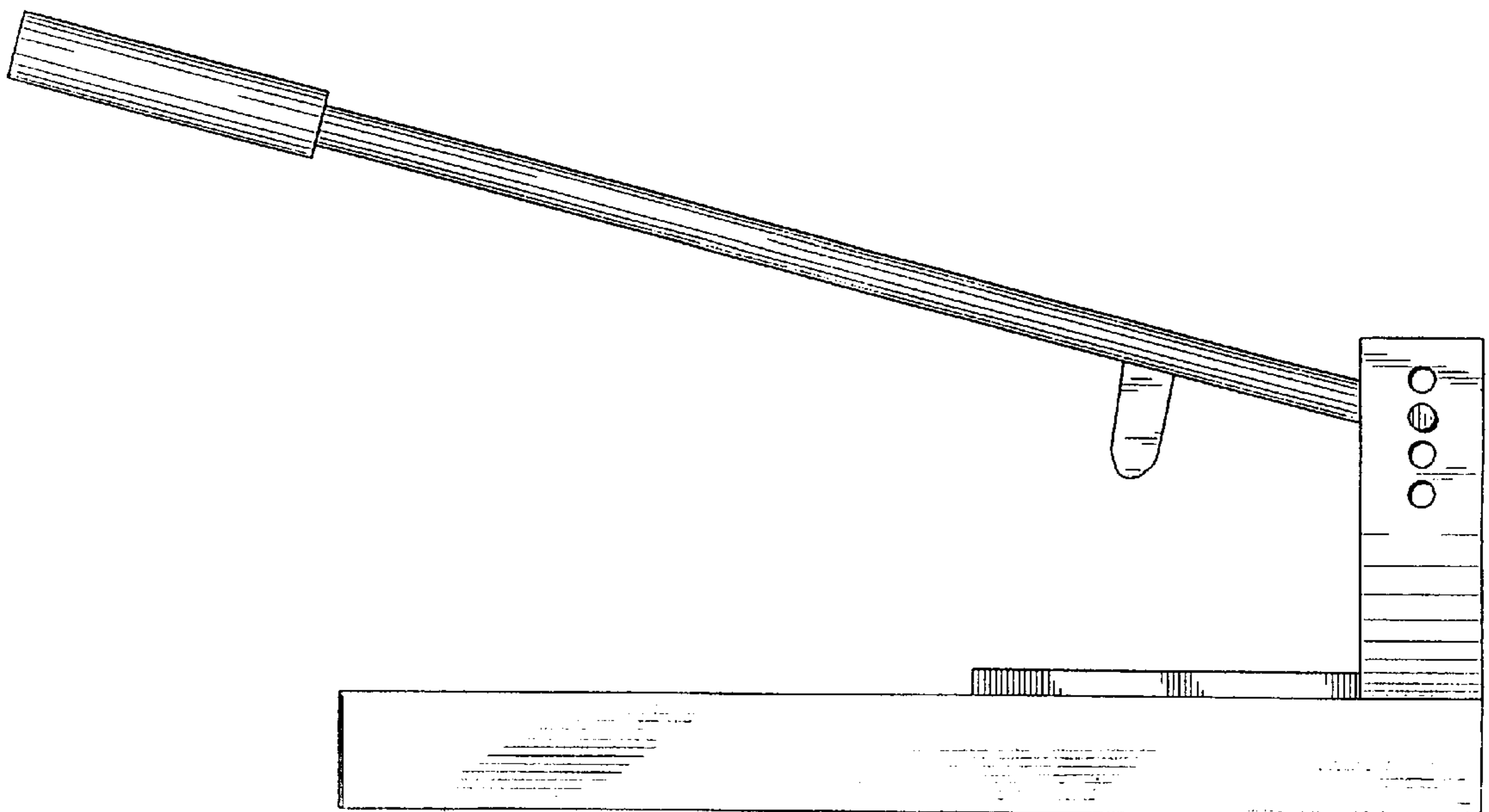


FIG. 5

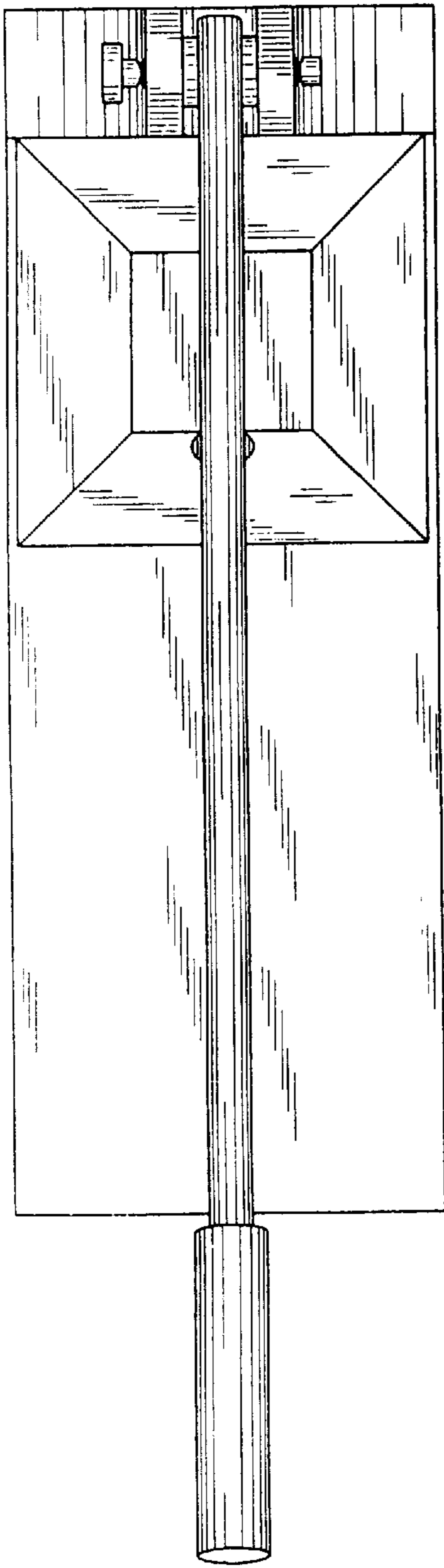


FIG. 6

