



US00D404975S

United States Patent [19] Fegan

[11] Patent Number: **Des. 404,975**

[45] Date of Patent: ****Feb. 2, 1999**

[54] **RAIL ATTACHED BEVERAGE HOLDER**

[76] Inventor: **Norm M Fegan**, 10531 Old Simcoe Road, Port Perry, Ontario, Canada, L9L 1B3

[**] Term: **14 Years**

[21] Appl. No.: **85,620**

[22] Filed: **Mar. 26, 1998**

[51] **LOC (6) Cl.** **07-06**

[52] **U.S. Cl.** **D7/620**

[56] **References Cited**

U.S. PATENT DOCUMENTS

D. 319,951	9/1991	Frankel	D7/620
D. 369,526	5/1996	Colton	D7/620
D. 377,886	2/1997	Colton	D7/620

Primary Examiner—Terry A. Wallace

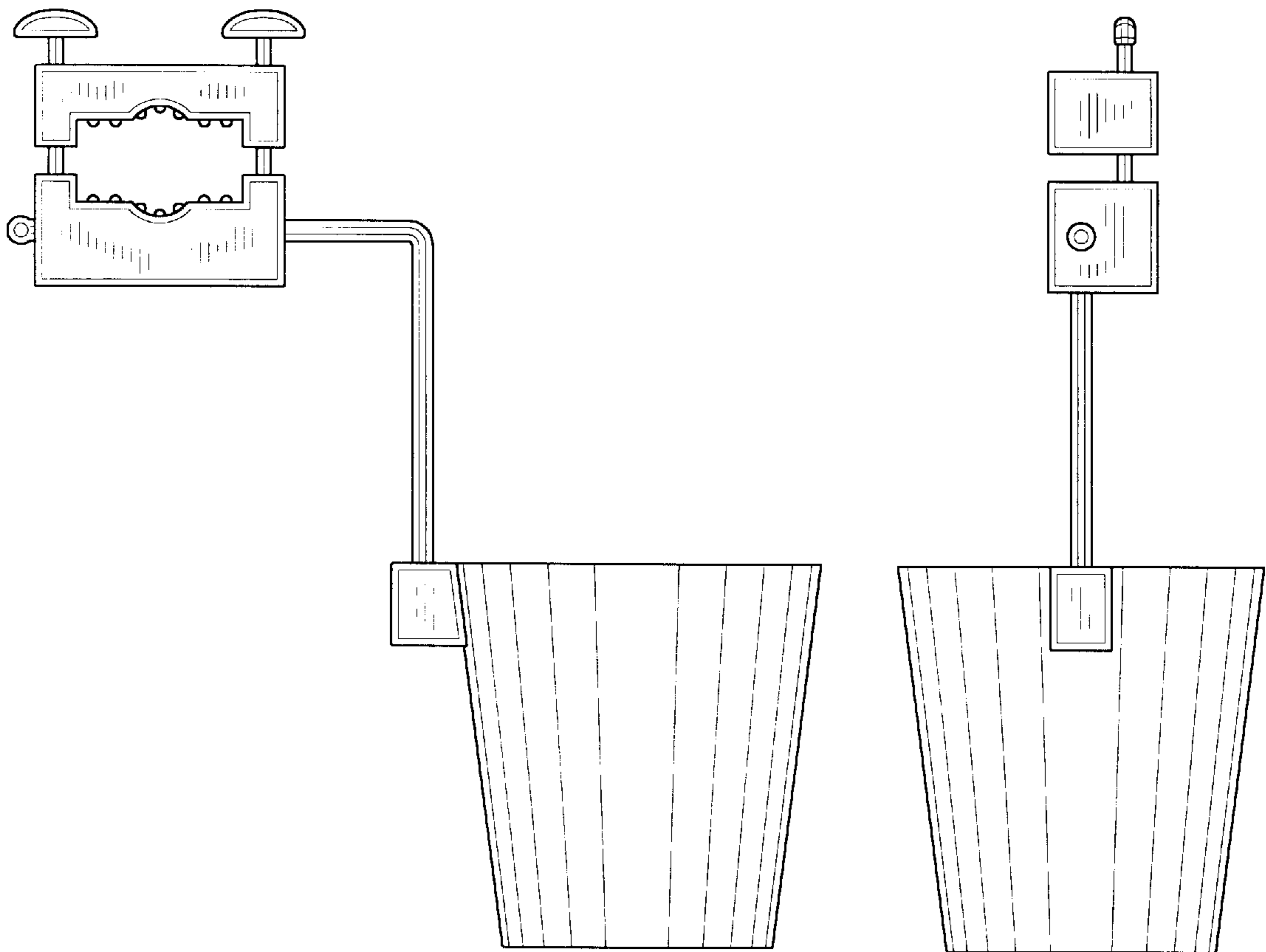
[57] **CLAIM**

The ornamental design for a rail attached beverage holder, as shown.

DESCRIPTION

FIG. 1 is a front elevational view of the rail attached beverage holder of the present invention;
 FIG. 2 is a back elevational view of the rail attached beverage holder of FIG. 1;
 FIG. 3 is a left side elevational view of the rail attached beverage holder of FIG. 1;
 FIG. 4 is a right side elevational view of the rail attached beverage holder of FIG. 1;
 FIG. 5 is a top plan view of the rail attached beverage holder of FIG. 1; and,
 FIG. 6 is a bottom plan view of the rail attached beverage holder of FIG. 1.

1 Claim, 3 Drawing Sheets



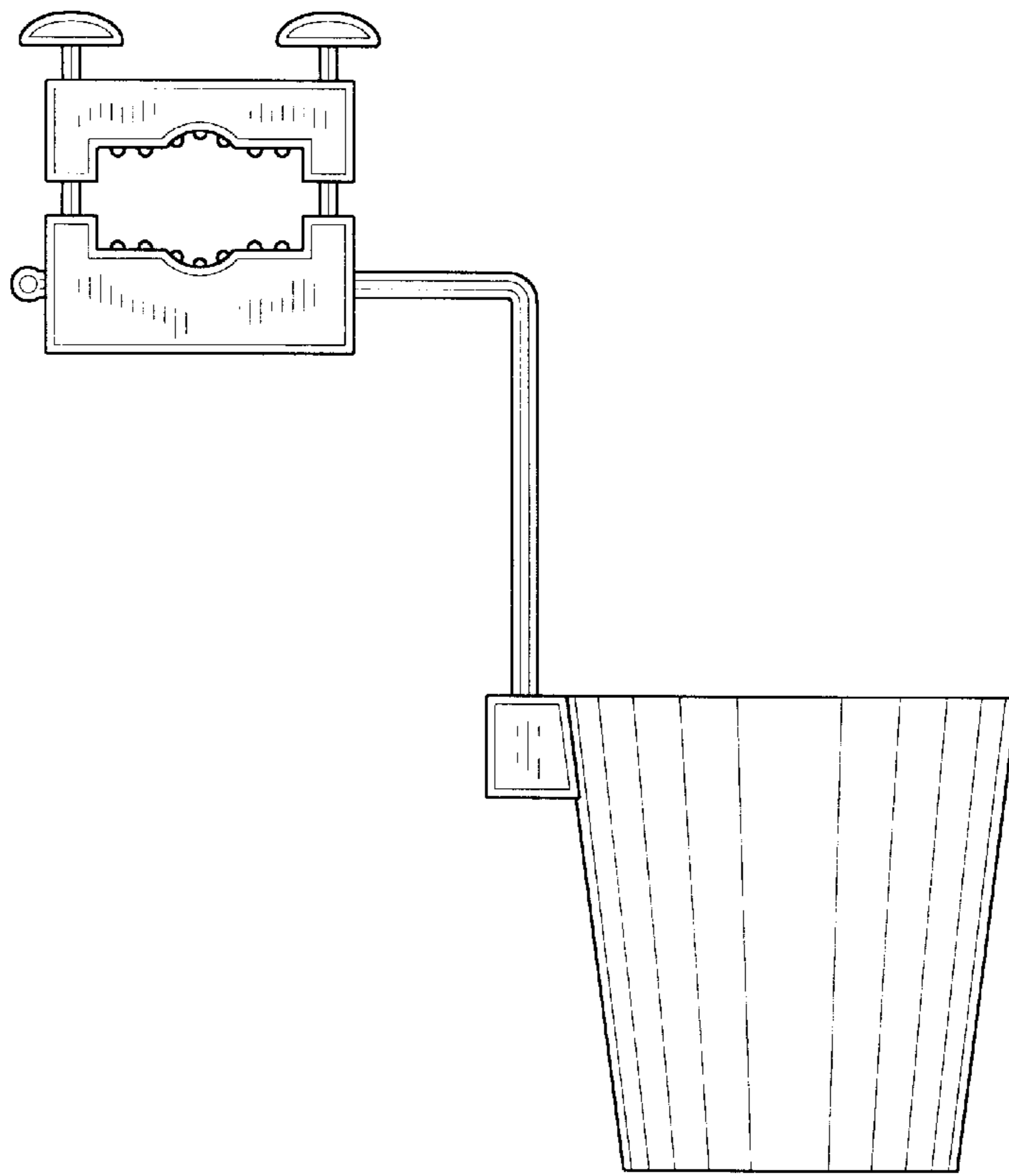


Fig. 1

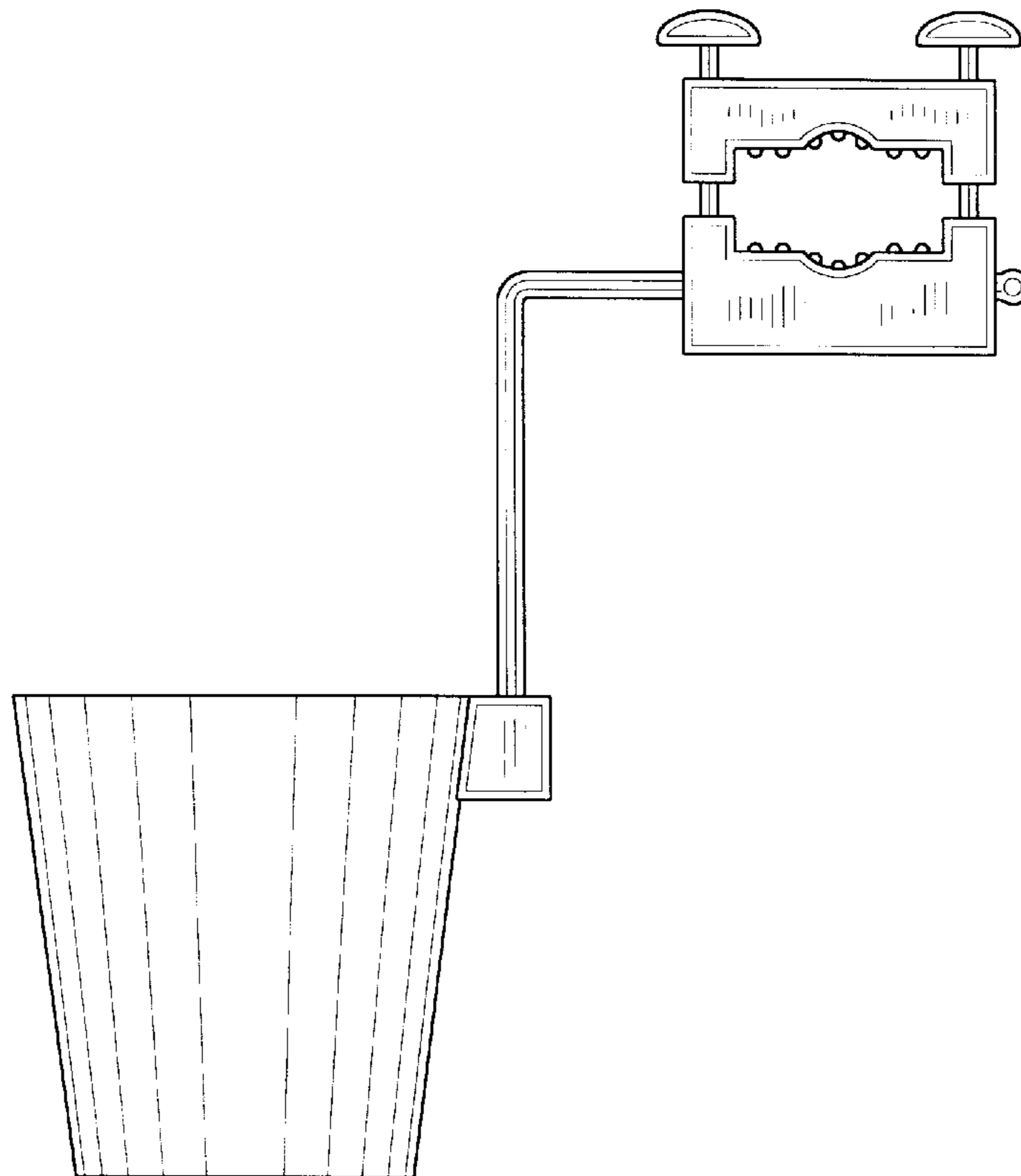


Fig. 2

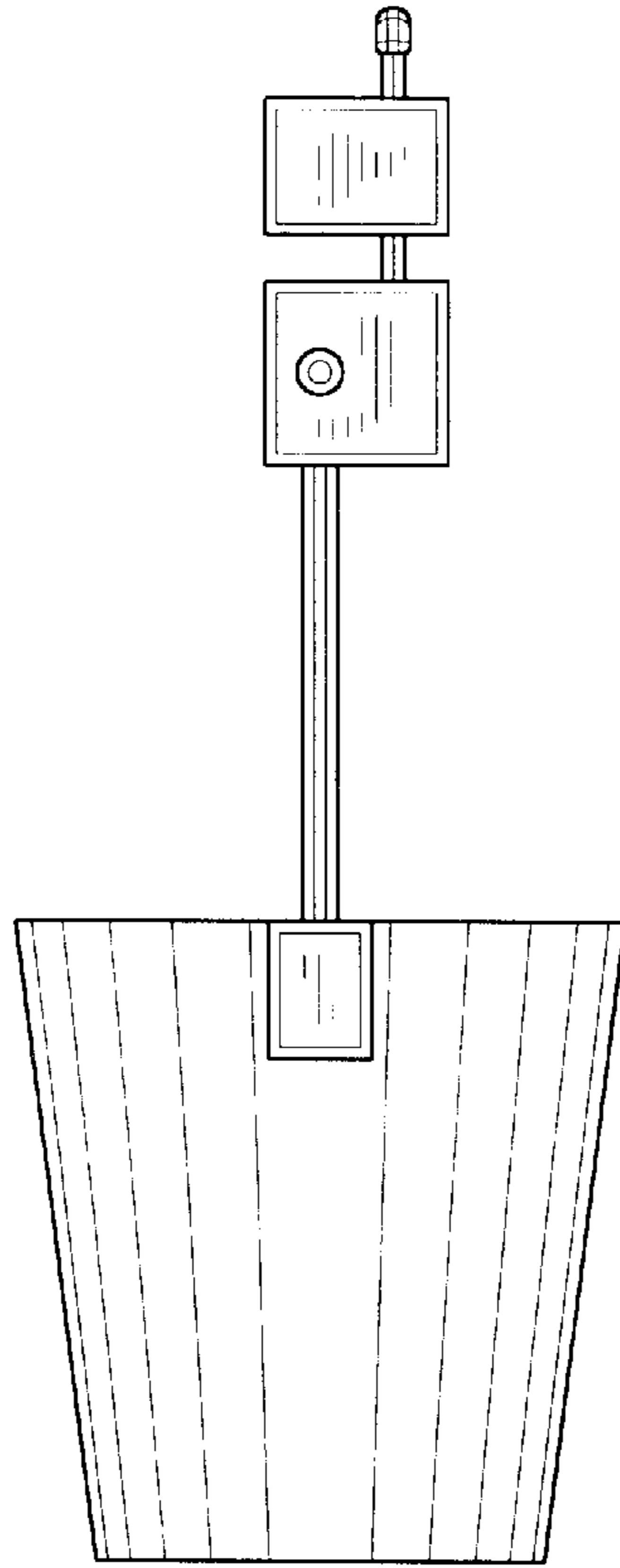


Fig. 3

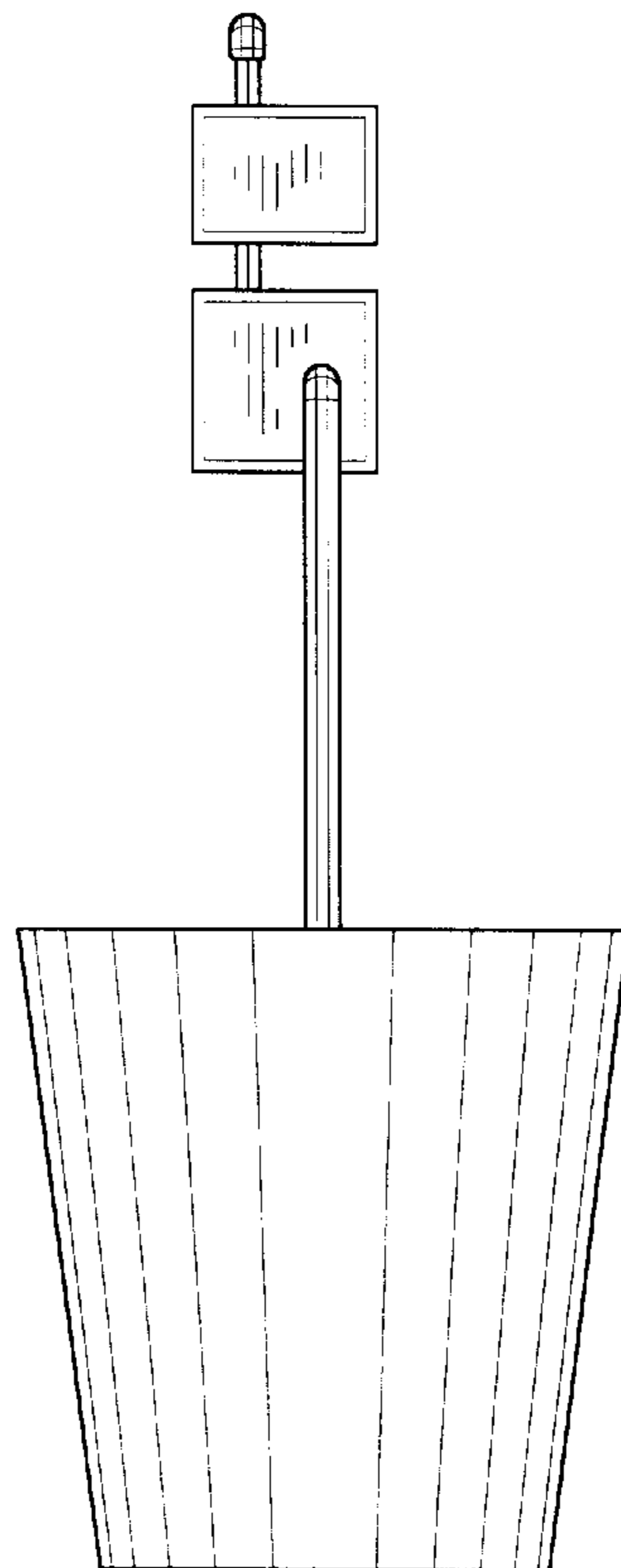


Fig. 4

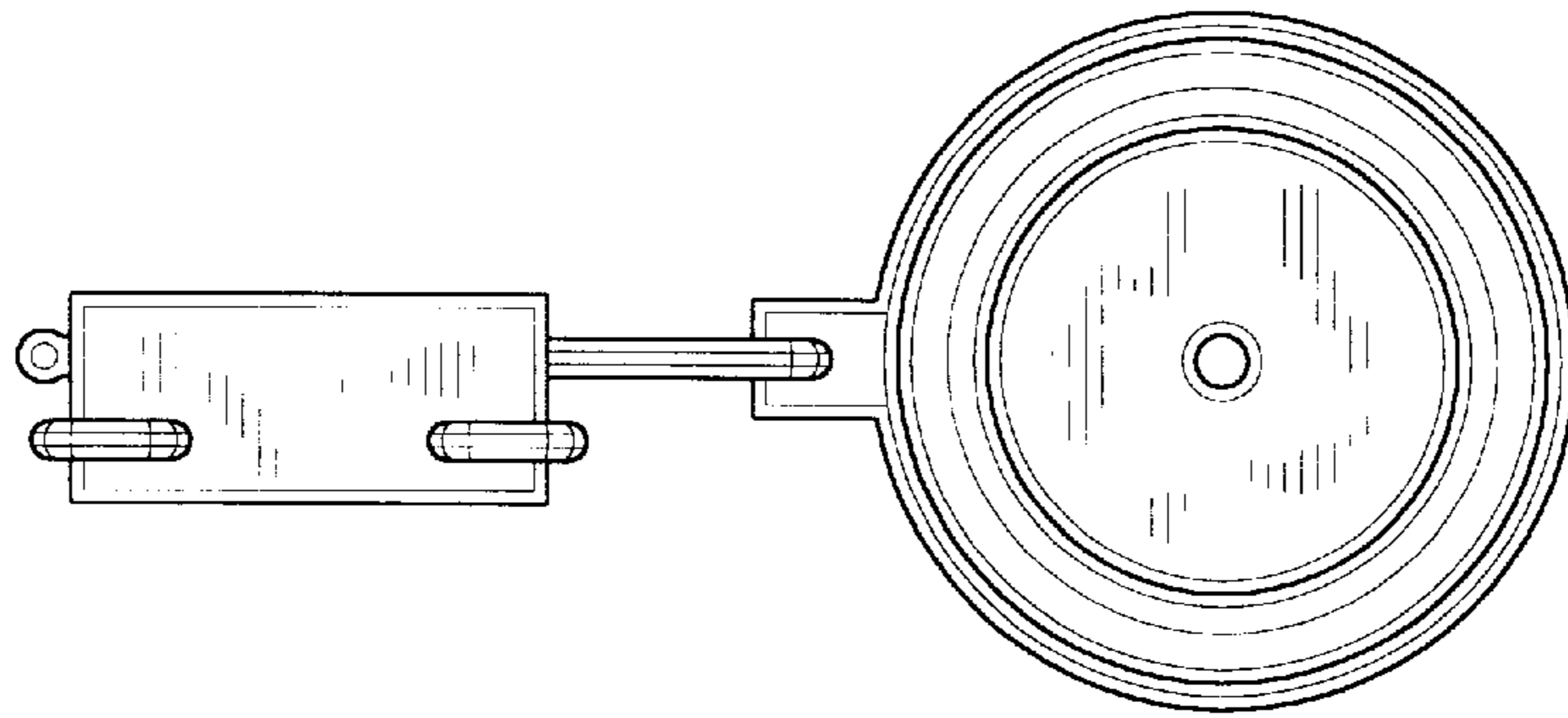


Fig. 5

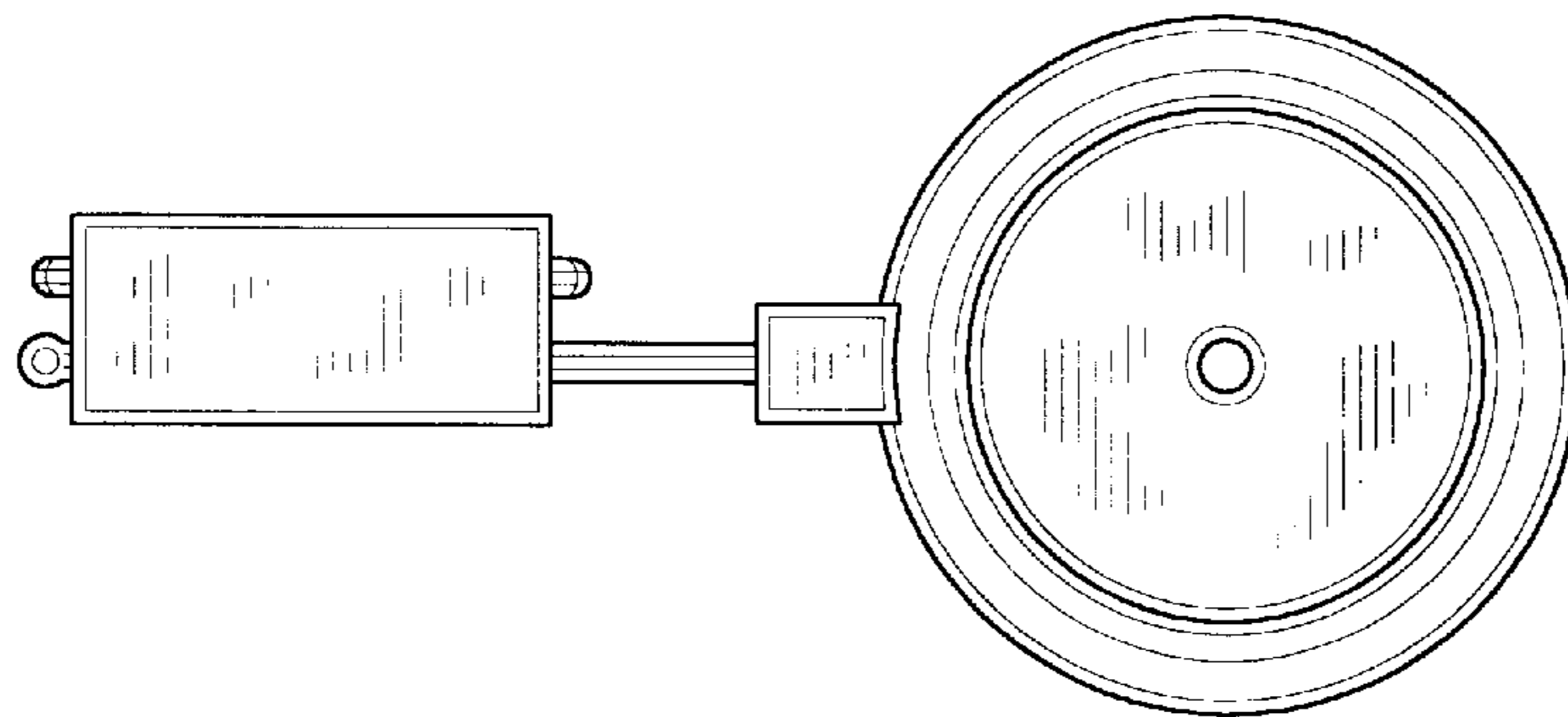


Fig. 6