



US00D404968S

# United States Patent [19] Lin

[11] **Patent Number: Des. 404,968**

[45] **Date of Patent: \*\*Feb. 2, 1999**

[54] **RACK FOR PLACING CHARCOAL IN A ROASTER**

[76] Inventor: **Charlotte Lin**, Suite 2, 7F, 95-8 Chang Ping Road Sec. 1, Taichung, Taiwan

[\*\*] Term: **14 Years**

[21] Appl. No.: **44,482**

[22] Filed: **Sep. 25, 1995**

[51] **LOC (6) Cl. .... 07-02**

[52] **U.S. Cl. .... D7/409**

[58] **Field of Search** ..... D7/332-337, 352-354, D7/359, 363, 387, 391, 402, 409-411; D9/425, 427, 456; 99/339, 340, 372, 375, 376, 380, 400, 408, 419, 421 R, 421 H, 421 HH, 422, 425, 444-446, 448, 449; 126/9 A, 9 B, 9 R, 11, 25 R, 25 A, 25 AA, 25 B, 25 C, 51, 214 C, 332, 333, 337 R, 339; 219/10.55 E; 249/52; 426/523

[56] **References Cited**

**U.S. PATENT DOCUMENTS**

D. 226,775 4/1973 Jones ..... D7/359  
D. 258,635 3/1981 Stone et al. .... D7/391

D. 260,221 8/1981 Lee et al. .... D7/359  
D. 311,339 10/1990 Weed ..... D7/359 X  
D. 344,434 2/1994 Endara ..... D7/402 X  
661,273 11/1900 Park ..... 249/52  
3,453,949 7/1969 Levin ..... 99/446  
4,969,449 11/1990 Levin ..... 126/332  
5,009,151 4/1991 Hungerford ..... 99/445

*Primary Examiner*—Caron D. Veynar

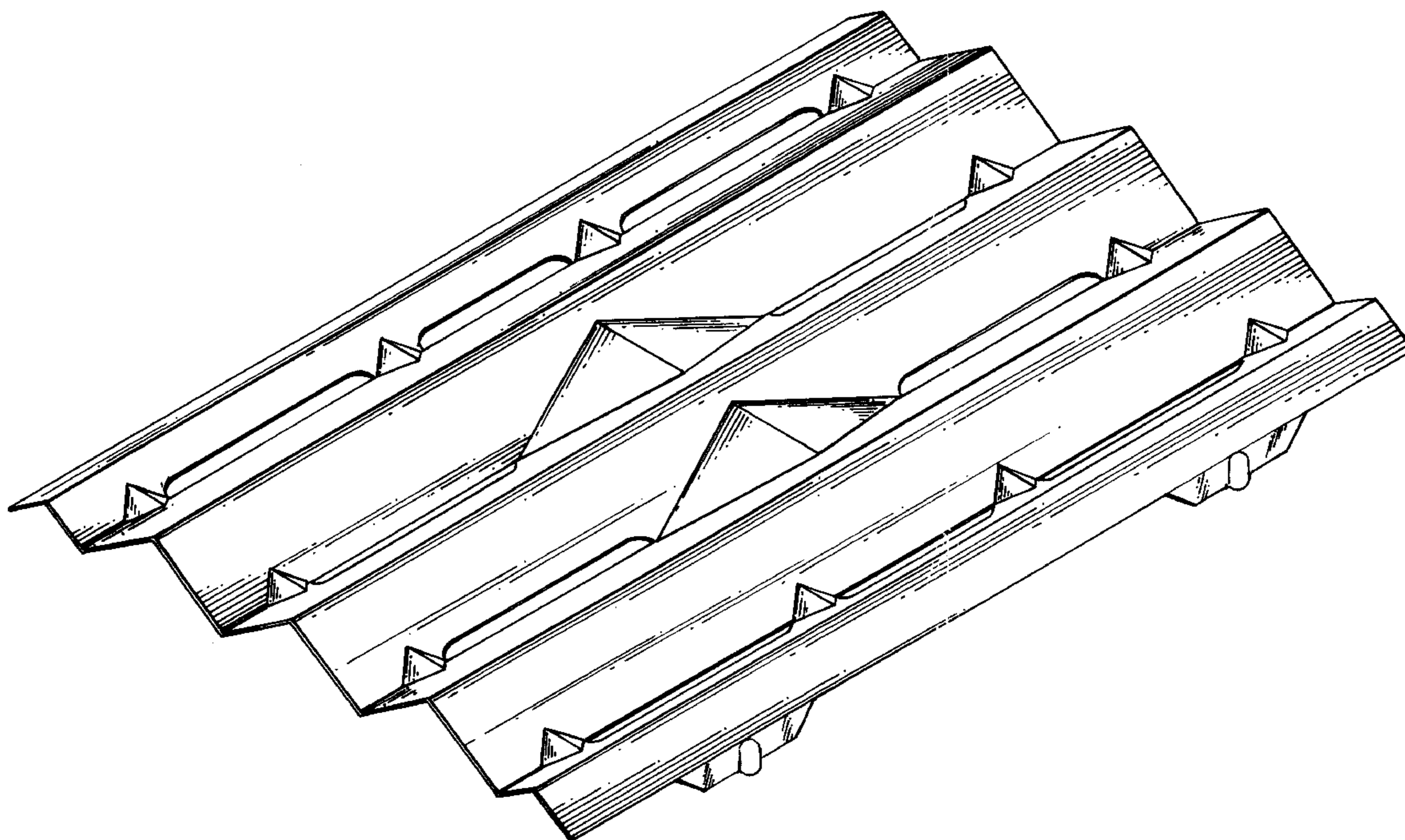
[57] **CLAIM**

The ornamental design for a rack for placing charcoal in a roaster, as shown described.

**DESCRIPTION**

FIG. 1 is a perspective view of a rack for placing charcoal in a roaster showing my new design; FIG. 2 is a front elevational view thereof; FIG. 3 is a top plan view thereof; FIG. 4 is a bottom plan view thereof; FIG. 5 is a left side view thereof; FIG. 6 is a right side view thereof; FIG. 7 is a rear elevational view thereof; and, FIG. 8 is an exploded perspective view, the broken line showing of a roaster is for illustrative purpose only and forms no part of the claimed design.

**1 Claim, 4 Drawing Sheets**



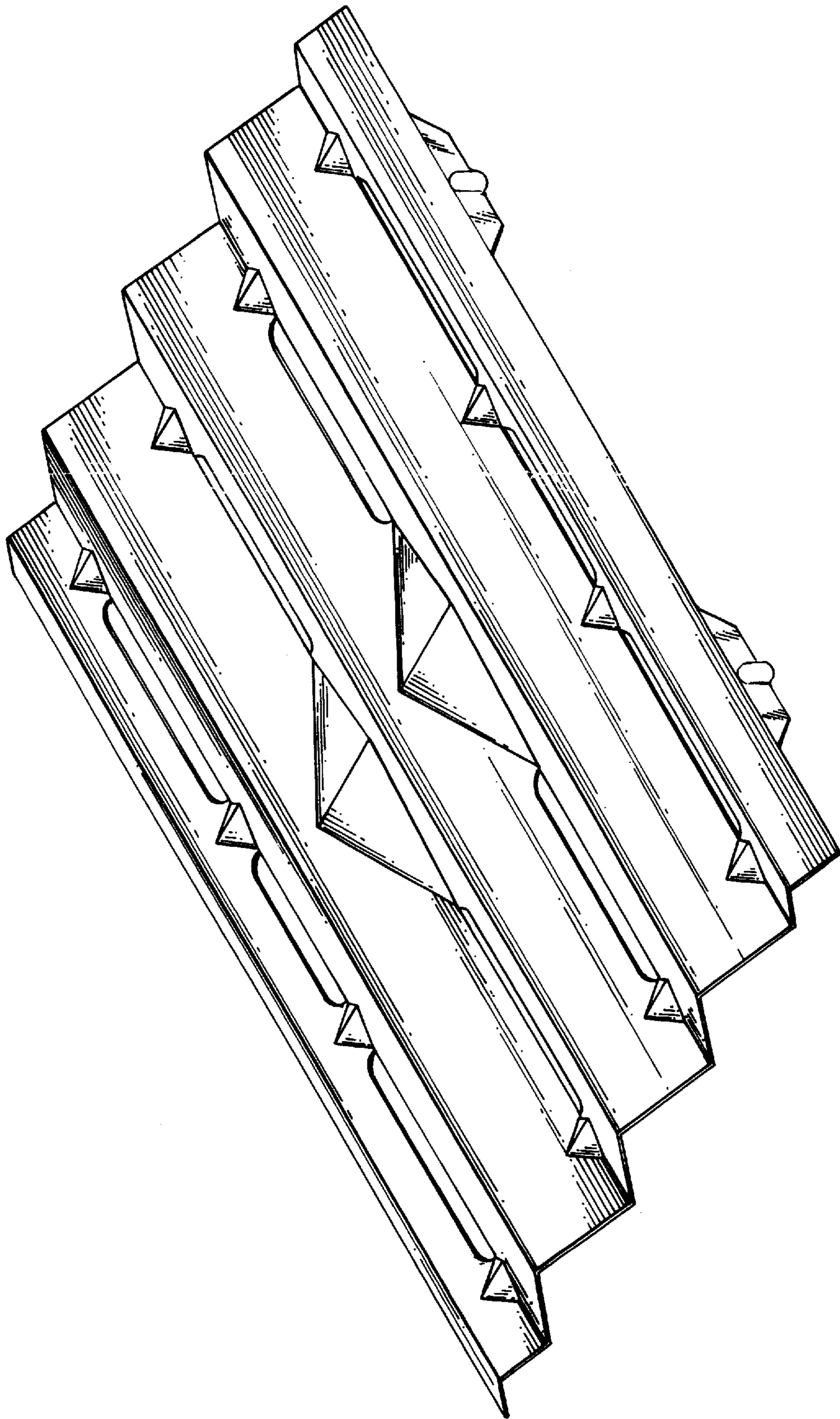


FIG. 1

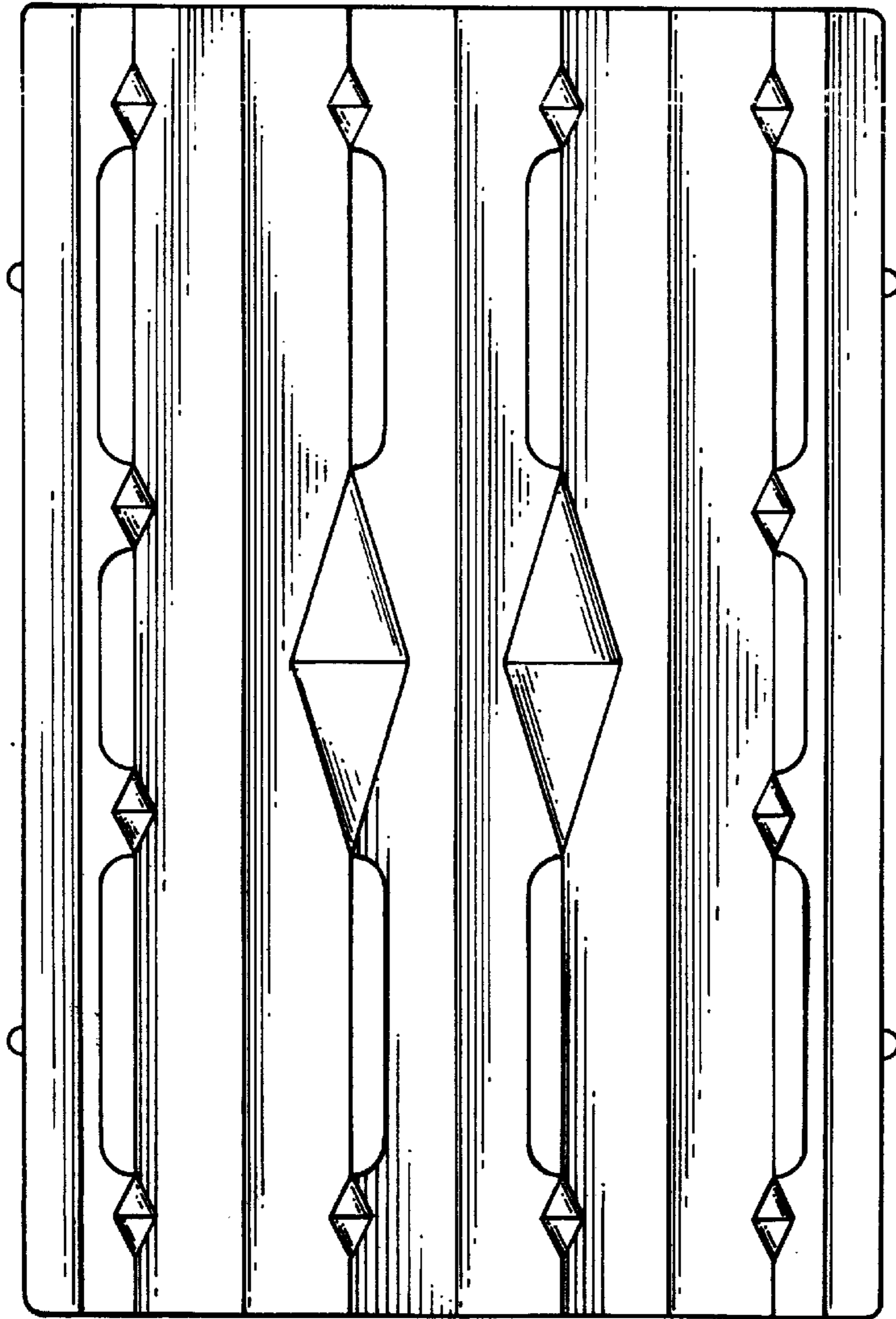


FIG. 3

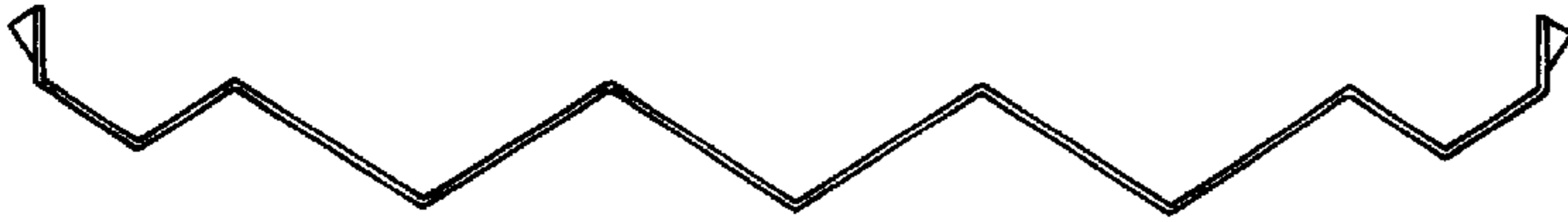


FIG. 6



FIG. 2

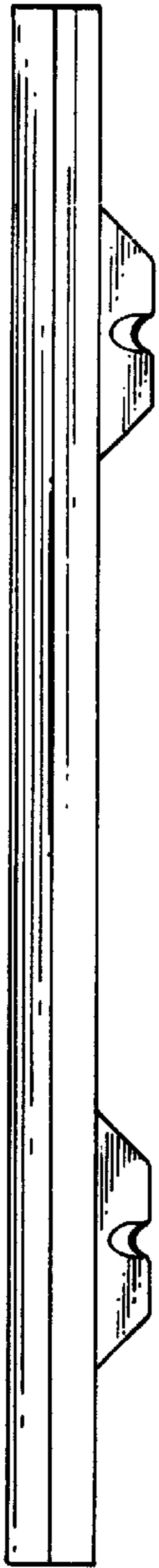


FIG. 7

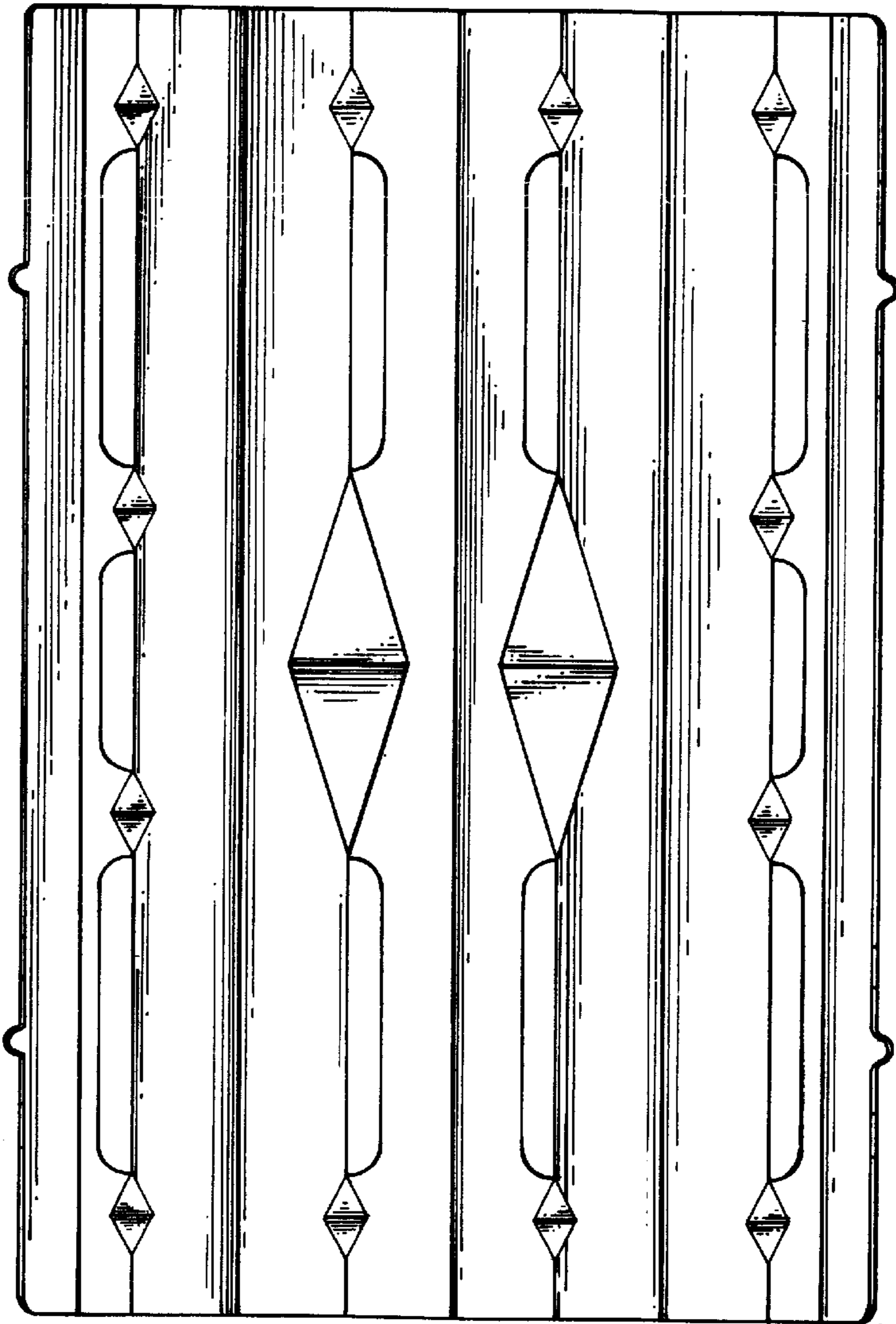


FIG. 4

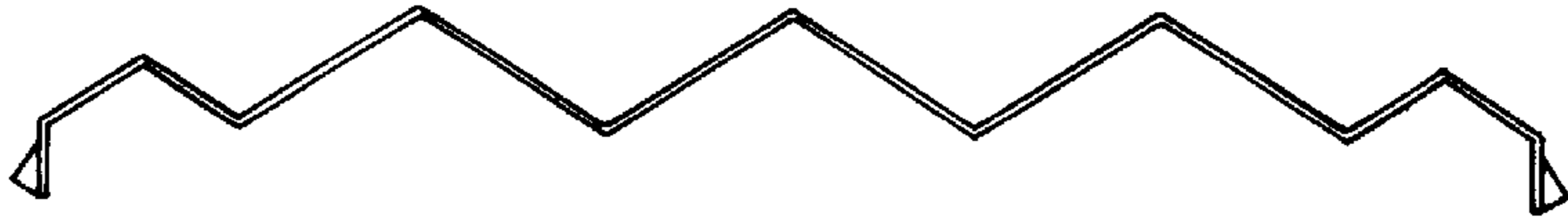
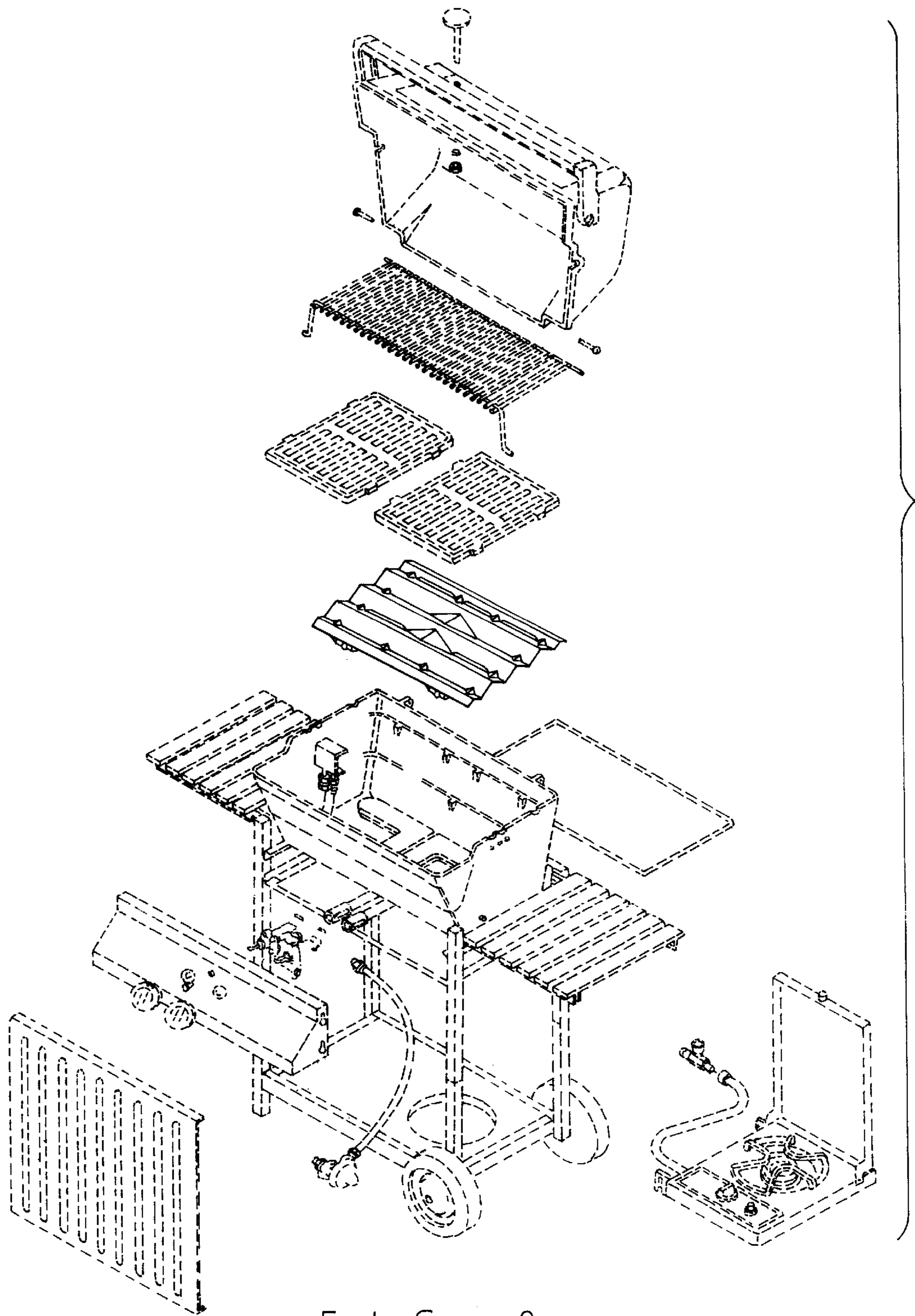


FIG. 5



F I G . 8