



US00D404962S

United States Patent [19] Matthews

[11] **Patent Number:** **Des. 404,962**

[45] **Date of Patent:** ****Feb. 2, 1999**

[54] **BARBECUE STAND**

[75] Inventor: **Raymond Harry Matthews**, Surrey,
United Kingdom

[73] Assignee: **Josephine Matthews**, Surrey, United
Kingdom

[**] Term: **14 Years**

[21] Appl. No.: **69,481**

[22] Filed: **Apr. 28, 1997**

[51] **LOC (6) Cl.** **07-02**

[52] **U.S. Cl.** **D7/332**

[58] **Field of Search** D7/332-337, 402-404;
126/25 R, 25 A, 25 AA, 29-30; D6/462,
499

[56] **References Cited**

U.S. PATENT DOCUMENTS

- D. 91,639 9/1934 Stulik D7/332
- D. 164,199 8/1951 Riordan D7/332

- D. 179,649 2/1957 Maddox D7/332
- D. 229,276 11/1973 Schonbrun D7/332
- D. 243,436 2/1977 Vida D7/332
- D. 258,927 4/1981 Lee D7/332
- 2,003,974 6/1935 Pearson D7/332
- 3,905,286 9/1975 Le Grady 126/25 R
- 5,133,333 7/1992 Stout 126/25 R

Primary Examiner—Ruth McInroy
Attorney, Agent, or Firm—Whyte Hirschboeck Dudek

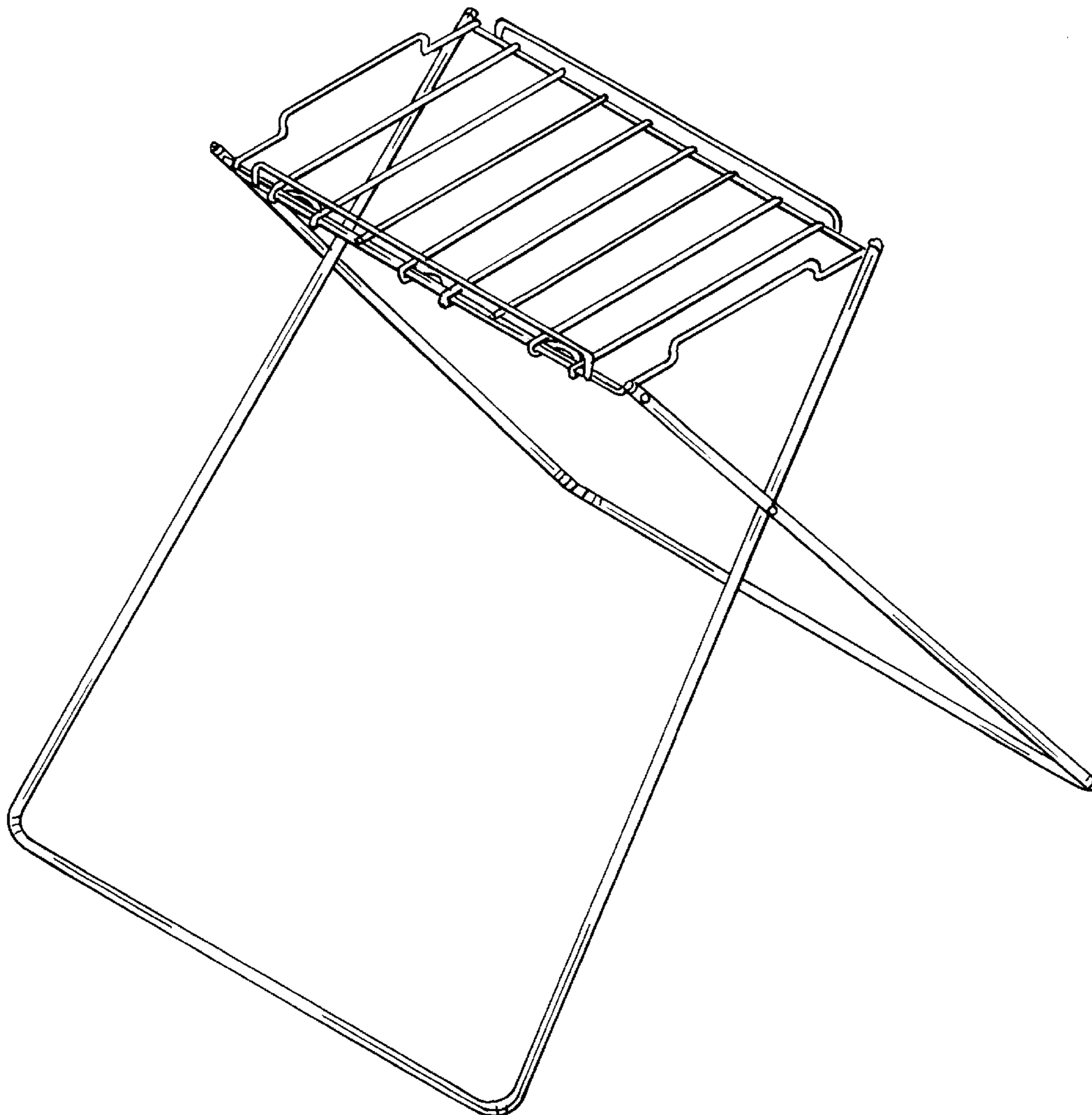
[57] **CLAIM**

I claim the ornamental design for a barbecue stand, as shown and described.

DESCRIPTION

FIG. 1 is a top, front and side perspective view of a barbecue stand showing my new design;
FIG. 2 is a front elevational view thereof;
FIG. 3 is a bottom plan view thereof;
FIG. 4 is a side elevational view thereof; and,
FIG. 5 is a rear elevational view thereof.

1 Claim, 3 Drawing Sheets



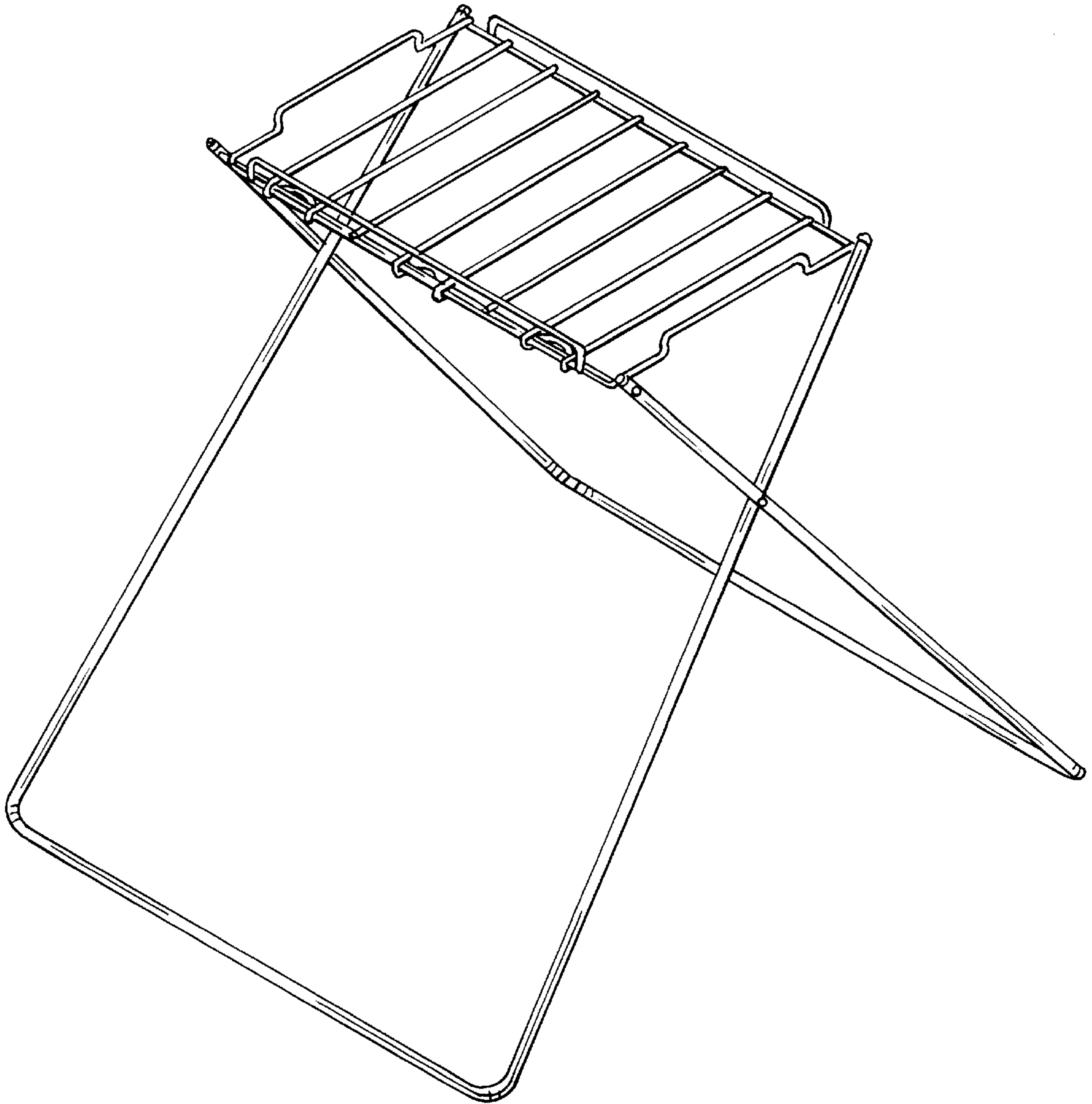


FIG. 1

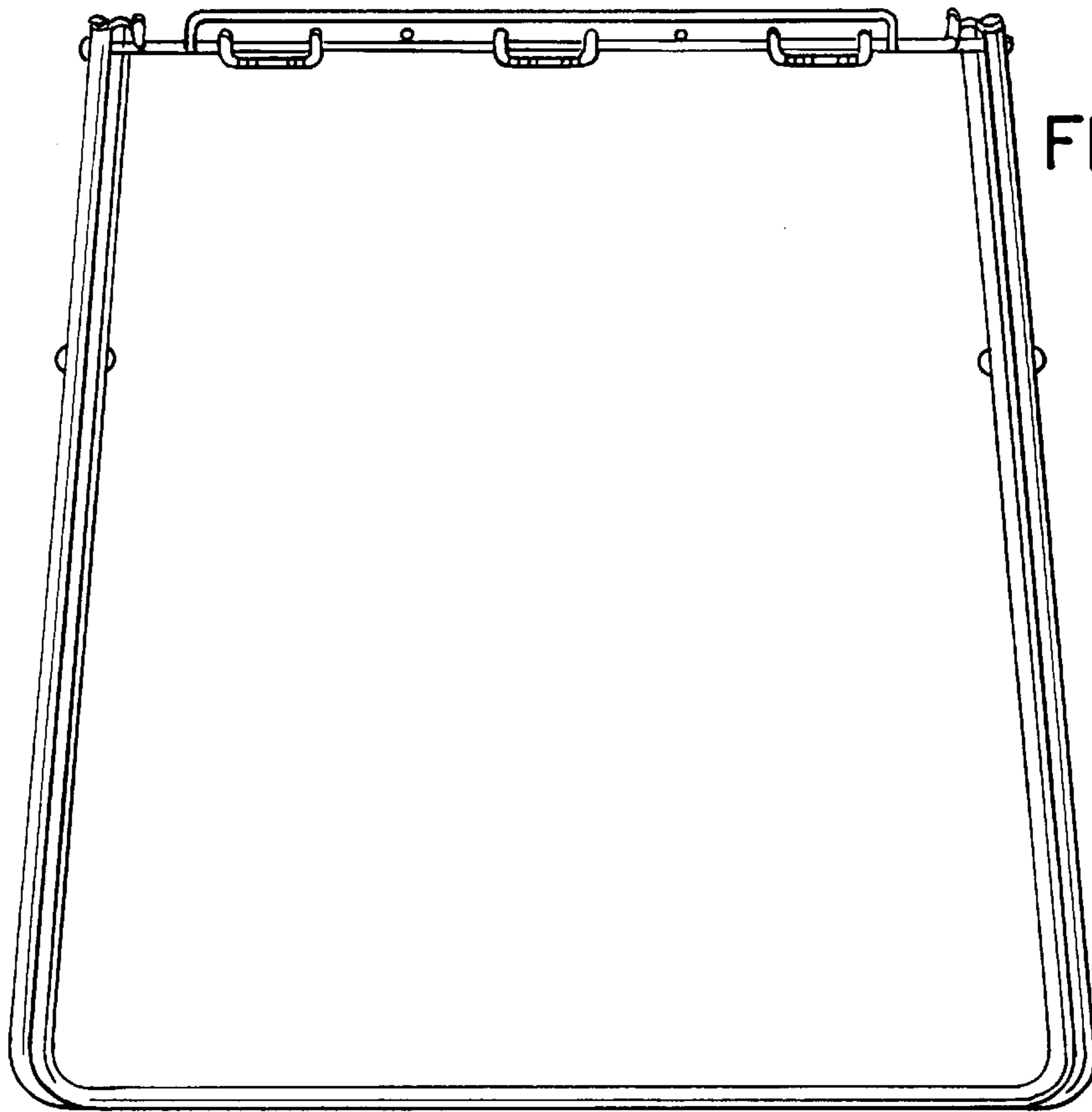


FIG. 2

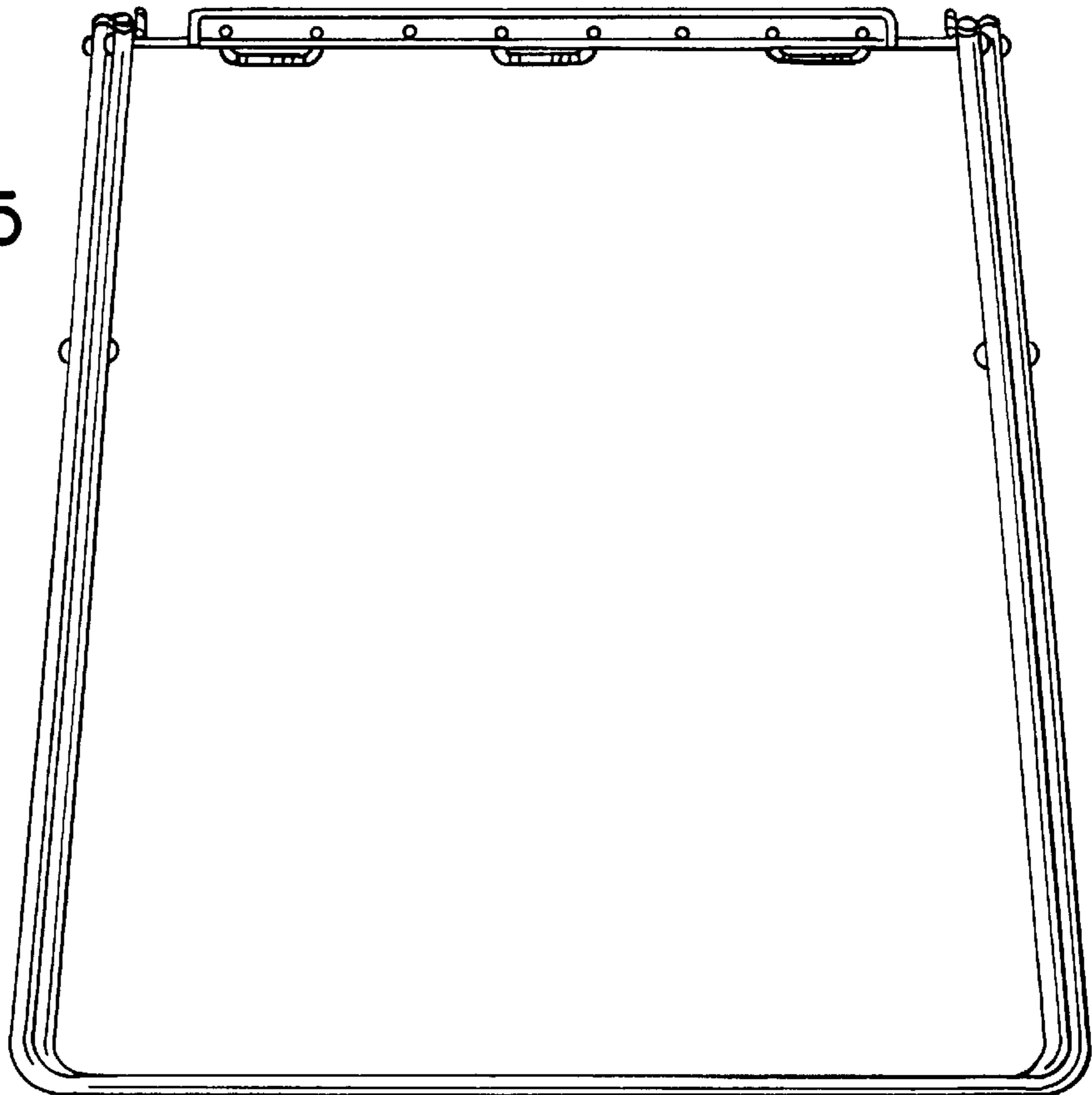


FIG. 5

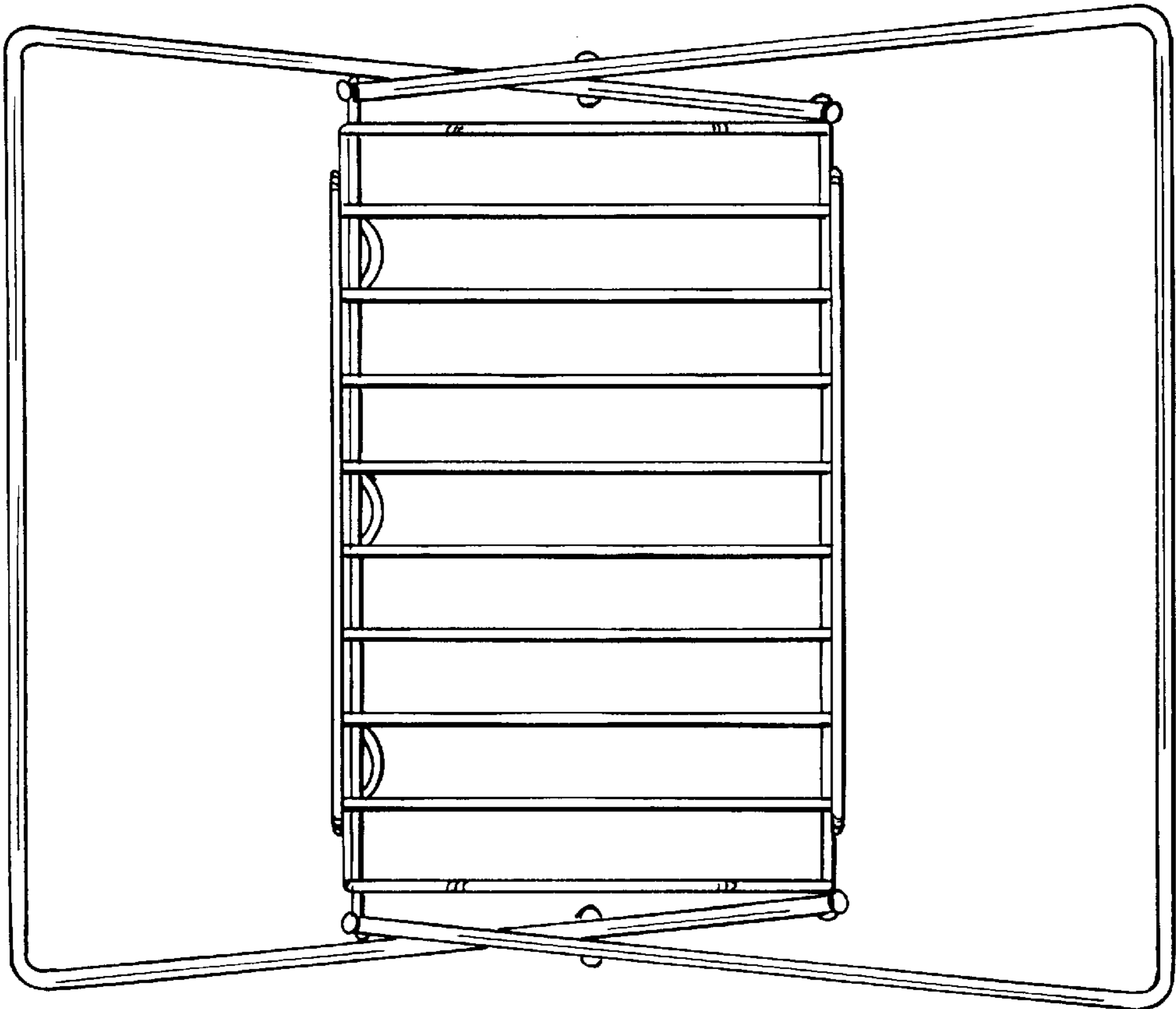


FIG. 3

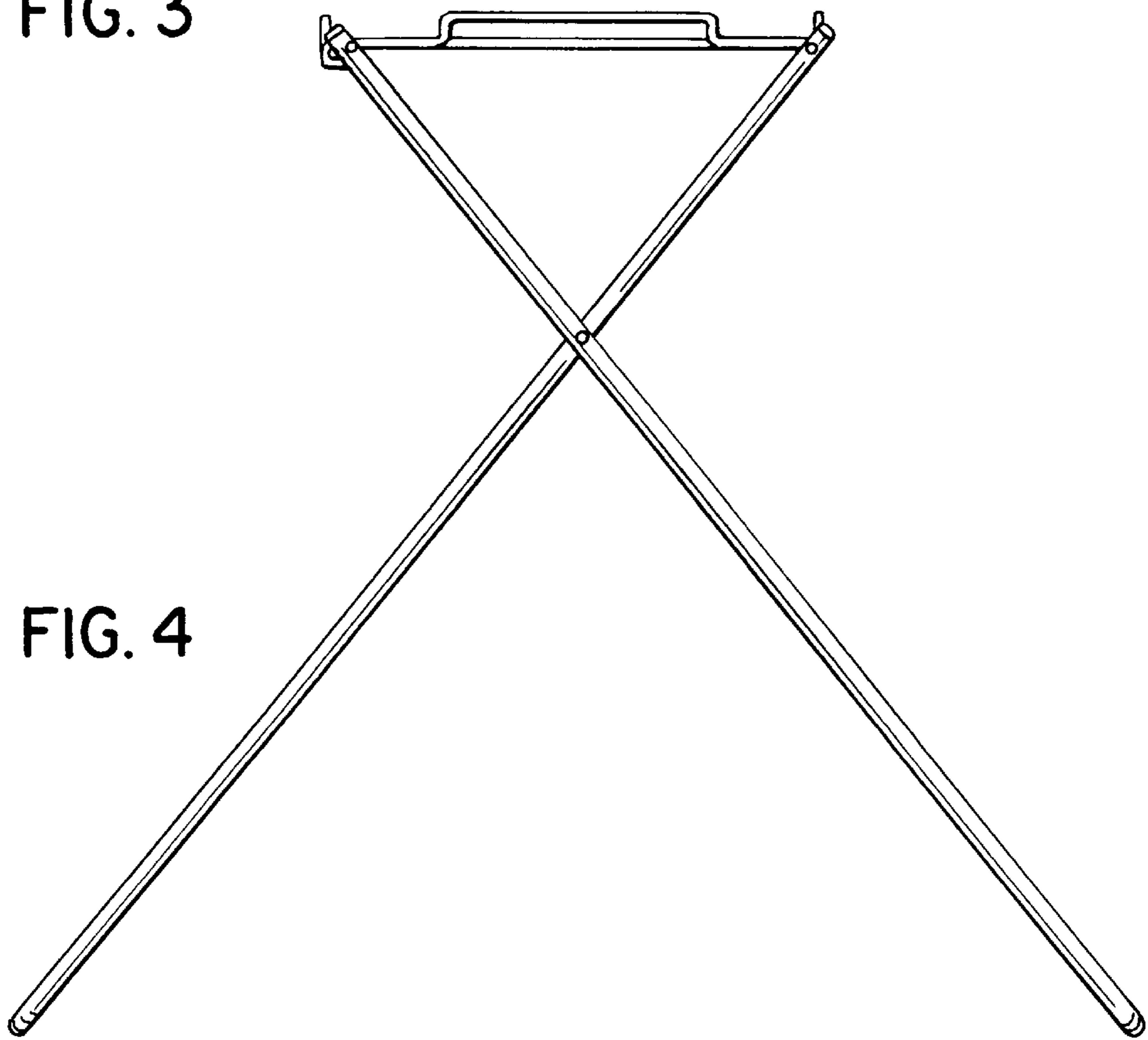


FIG. 4