



US00D404961S

United States Patent [19] Carrere

[11] **Patent Number:** **Des. 404,961**

[45] **Date of Patent:** ****Feb. 2, 1999**

[54] **COFFEE MAKER**

[75] Inventor: **Eric Carrere**, Lyons, France

[73] Assignee: **SEB**, Selongey, France

[**] Term: **14 Years**

[21] Appl. No.: **79,925**

[22] Filed: **Aug. 14, 1997**

[30] **Foreign Application Priority Data**

Feb. 14, 1997 [FR] France 97 0944

[51] **LOC (6) Cl.** **07-01**

[52] **U.S. Cl.** **D7/309; D7/311; D7/310**

[58] **Field of Search** **D7/309, 310, 311, D7/312; 99/306, 395, 286, 304, 279**

[56] **References Cited**

U.S. PATENT DOCUMENTS

D. 347,961 6/1994 Beeren D7/309

D. 376,950 12/1996 Saltet D7/309

D. 377,290 1/1997 Saltet D7/309

D. 381,550 7/1997 Lin D7/309

D. 386,039 11/1997 Dingelstad D7/309

D. 387,946 12/1997 Hippen D7/309

D. 390,409 2/1998 Littmann D7/310 X

D. 391,439 3/1988 Mork et al. D7/311 X

Primary Examiner—M. N. Pandozzi

Attorney, Agent, or Firm—Pillsbury Madison & Sutro

[57] **CLAIM**

The ornamental design for a coffee maker, as shown.

DESCRIPTION

FIG. 1 is a front elevational view of a coffee maker showing my new design;

FIG. 2 is a rear elevational view thereof;

FIG. 3 is a right side elevational view thereof;

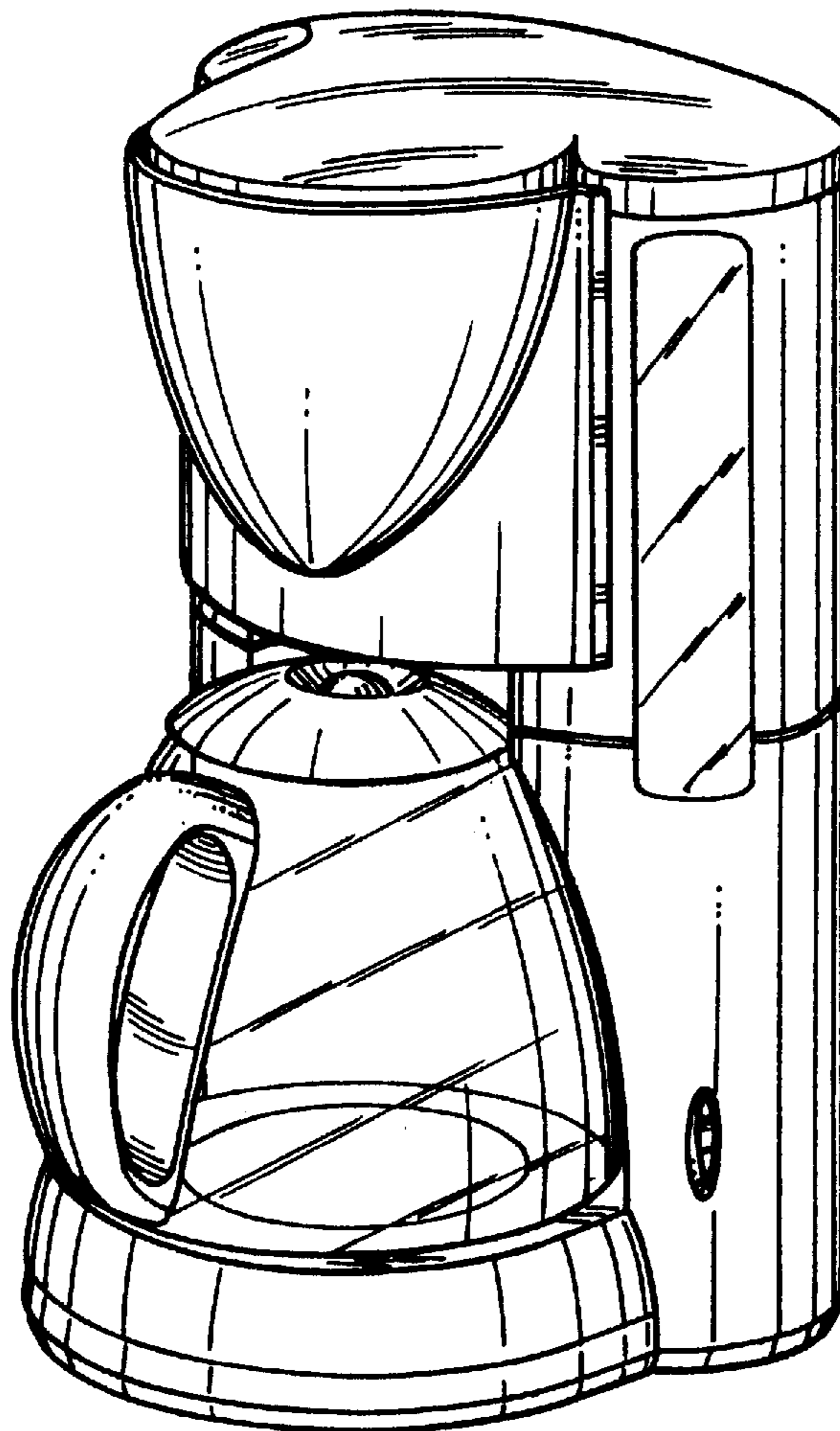
FIG. 4 is a left side elevational view thereof;

FIG. 5 is a top plan view thereof;

FIG. 6 is a bottom plan view thereof; and,

FIG. 7 is a perspective view thereof.

1 Claim, 5 Drawing Sheets



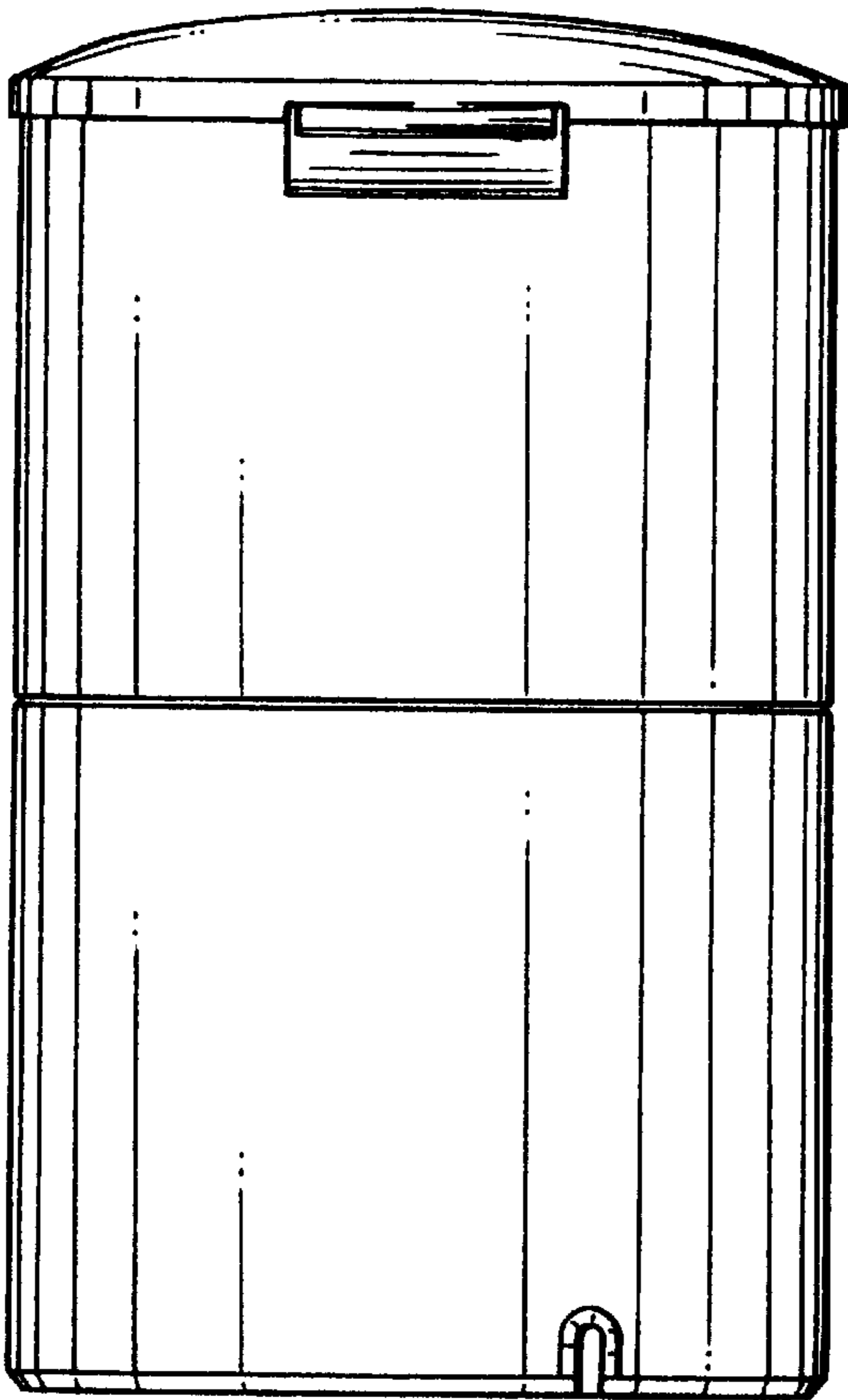


FIG. 2

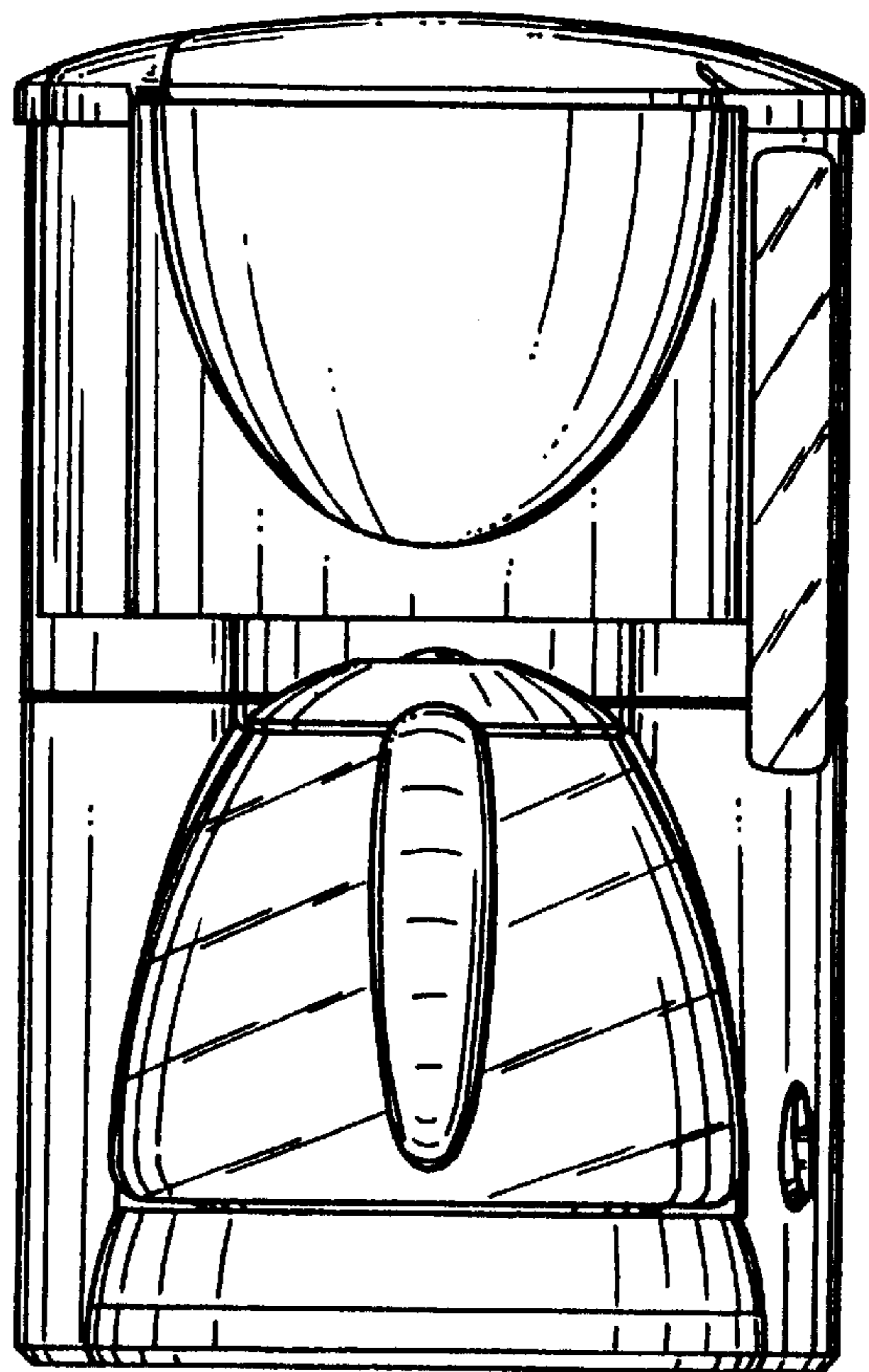


FIG. 1

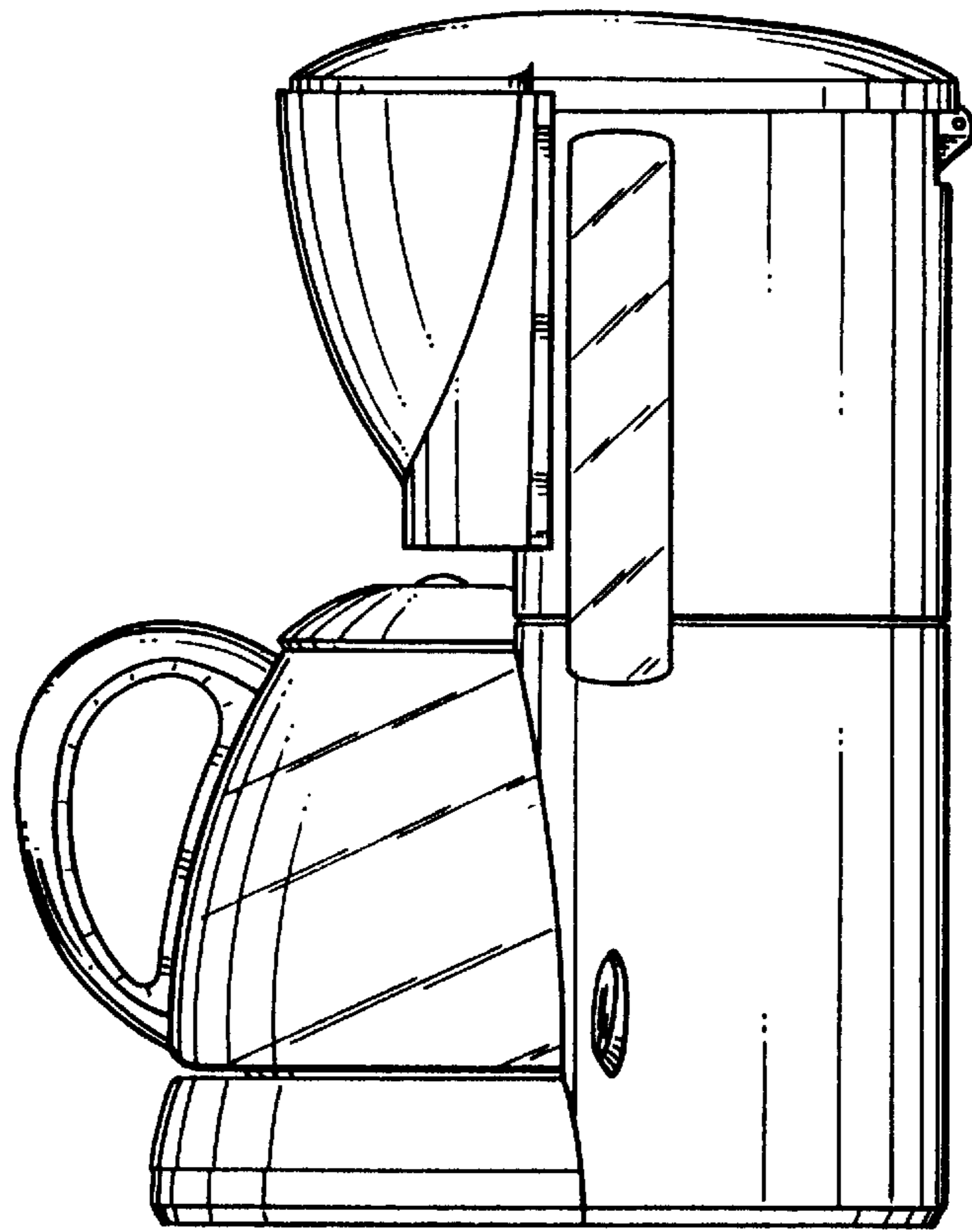


FIG. 3

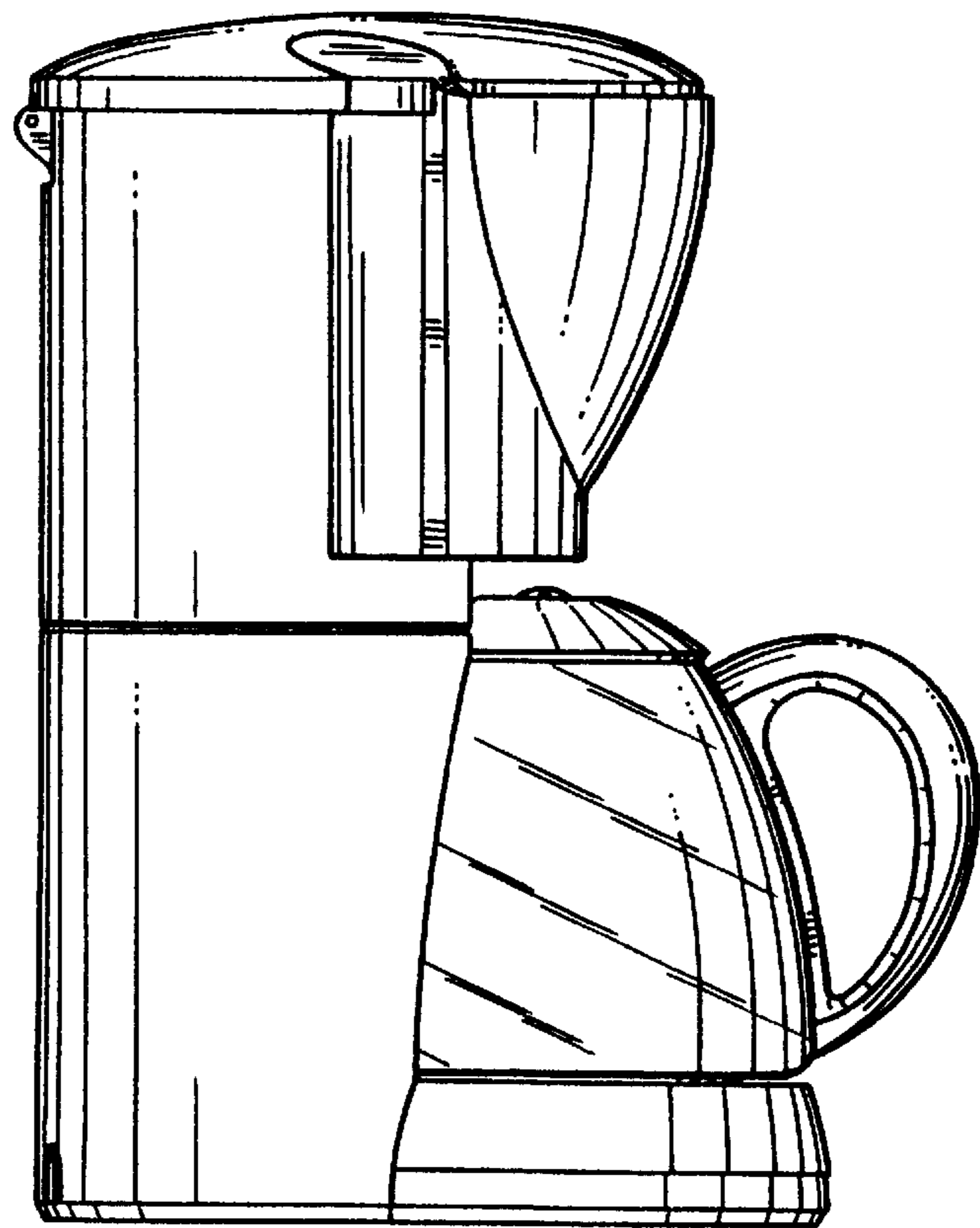


FIG. 4

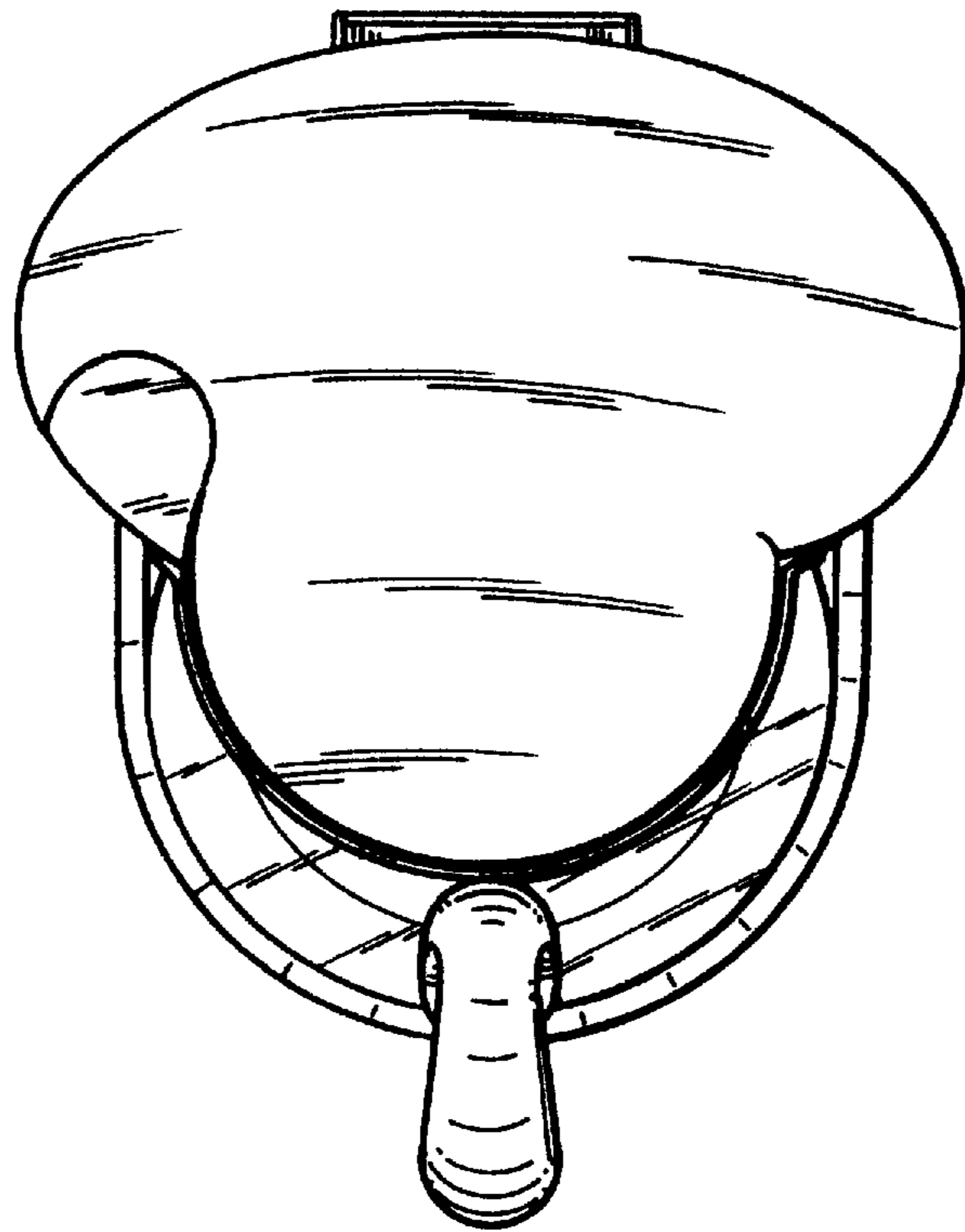


FIG. 5

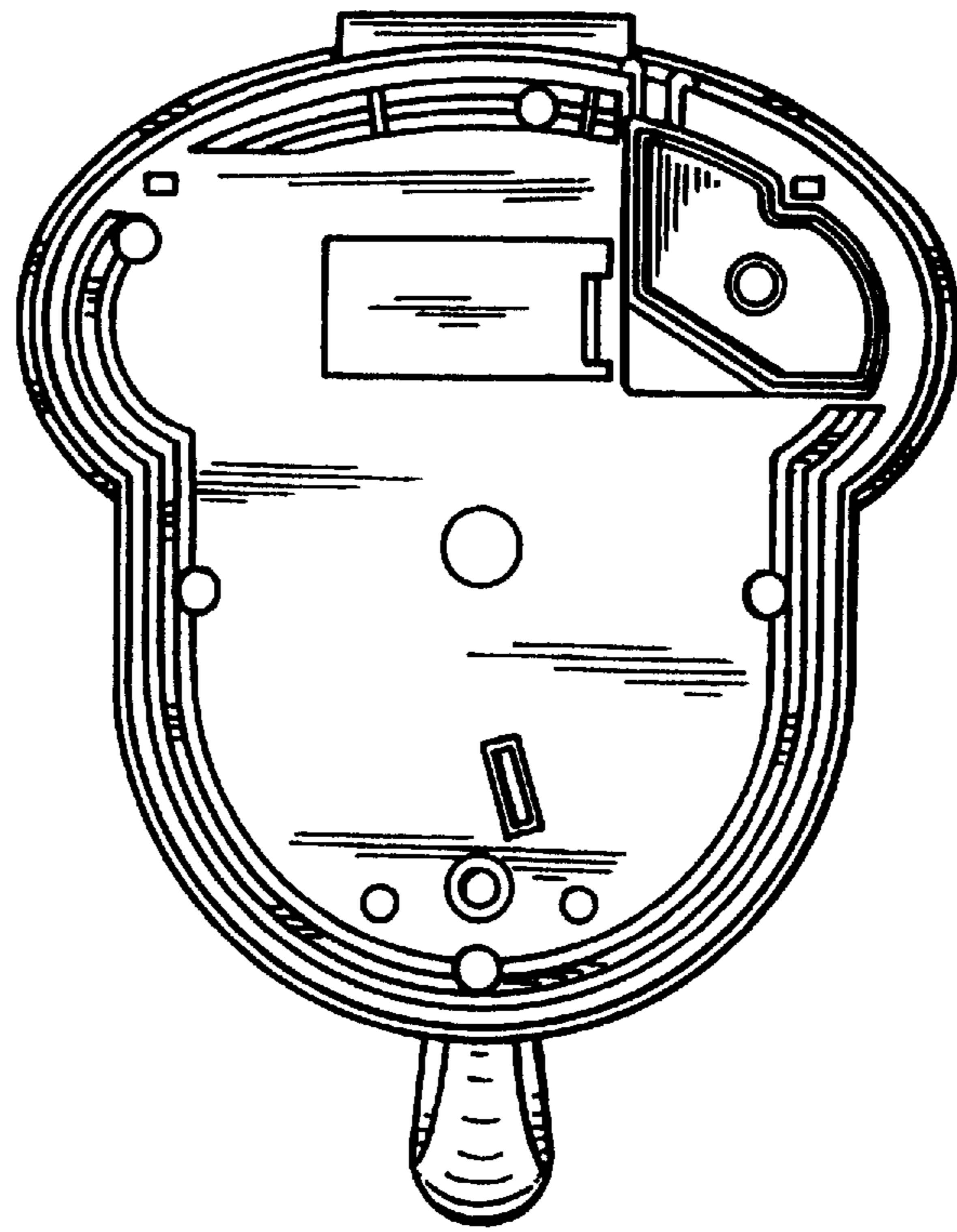


FIG. 6

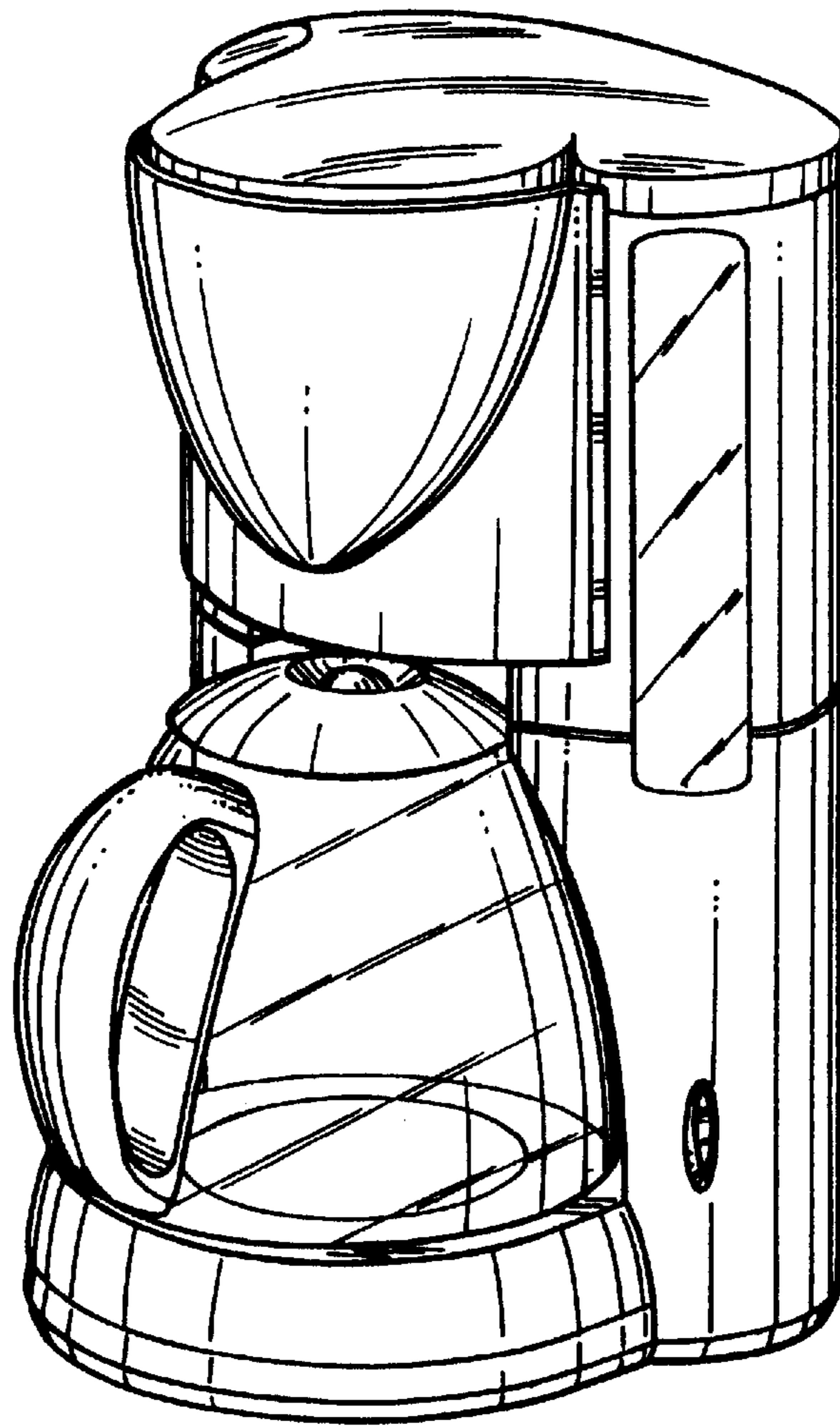


FIG. 7