



US00D404958S

United States Patent [19]

[11] Patent Number: **Des. 404,958**

Cheris et al.

[45] Date of Patent: ****Feb. 2, 1999**

[54] **ROTATABLE HOLDER FOR COMPACT DISCS, CD-ROMS AND OTHER DISCS**

5,188,240 2/1993 Marino et al. 211/40
5,566,839 10/1996 Muller 211/163 X
5,749,477 5/1998 Chang 206/309 X

[75] Inventors: **Albert B. Cheris**, Highland Park;
Mark Dziarsk, Chicago, both of Ill.

OTHER PUBLICATIONS

United Airlines High St. Emporium, p. 92, Jan. 1995.
Ikea Catalog, Aldis Swivel CD rack, 1994.
"Mediaworx Catalog", Venex Corporation, 1995.
"CD Spinner 80" Micro Center Advertisement, no date given.

[73] Assignee: **Tenex Corporation**, Elk Grove Village, Ill.

Primary Examiner—Jeffrey Asch
Attorney, Agent, or Firm—Lockwood, Alex, FitzGibbon & Cummings

[**] Term: **14 Years**

[21] Appl. No.: **79,112**

[22] Filed: **Nov. 10, 1997**

[51] **LOC (6) Cl.** **06-04**

[57] CLAIM

[52] **U.S. Cl.** **D6/630; D6/457**

The ornamental design for a rotatable holder for compact discs, CD-roms and other discs, as shown and described.

[58] **Field of Search** D6/407, 626-630,
D6/462-468, 455, 457, 461; 312/9.1-9.64;
D32/55, 58; 211/40, 41.1, 41.2, 41.3, 41.4,
42, 41.12, 41.18, 163; 206/307.1, 307,
308.1, 445, 387.15, 454, 387.1, 309

DESCRIPTION

[56] References Cited

U.S. PATENT DOCUMENTS

D. 171,285 1/1954 Loeb D6/457
D. 233,375 10/1974 Berkman D6/629
D. 279,045 6/1985 Hall D6/629
D. 296,277 6/1988 Hardy D6/457
2,915,353 12/1959 Michaelsen .

FIG. 1 is a perspective view of a disc holder showing our new design, the series of disc boxes depicted by broken lines being for illustrative purposes only and forming no part of the claimed design;
FIG. 2 is a elevational view of the front side thereof, the rear side and right and left sides being the same in appearance;
FIG. 3 is a top plan view thereof; and,
FIG. 4 is a bottom plan view thereof.

1 Claim, 3 Drawing Sheets

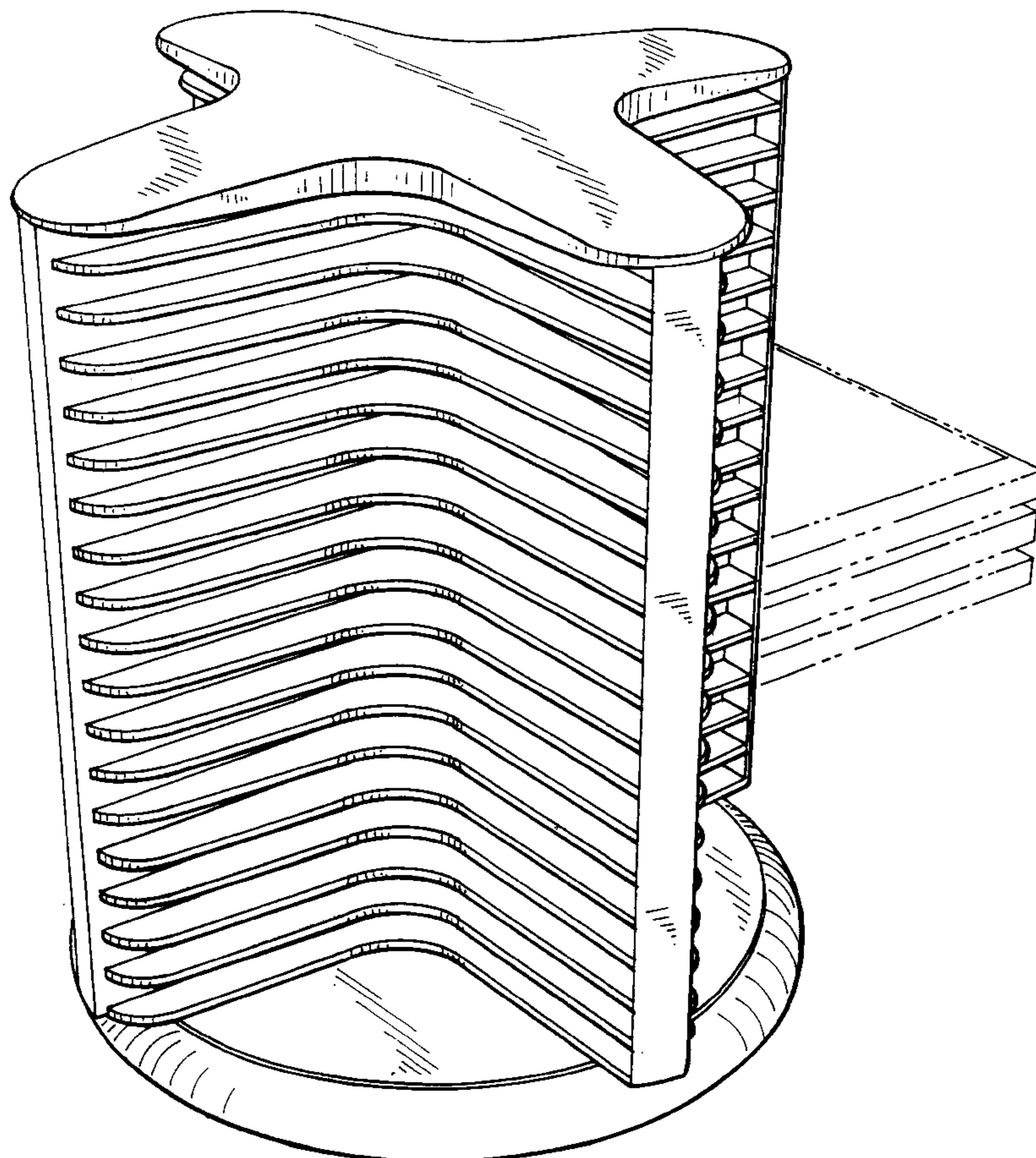


FIG. 1

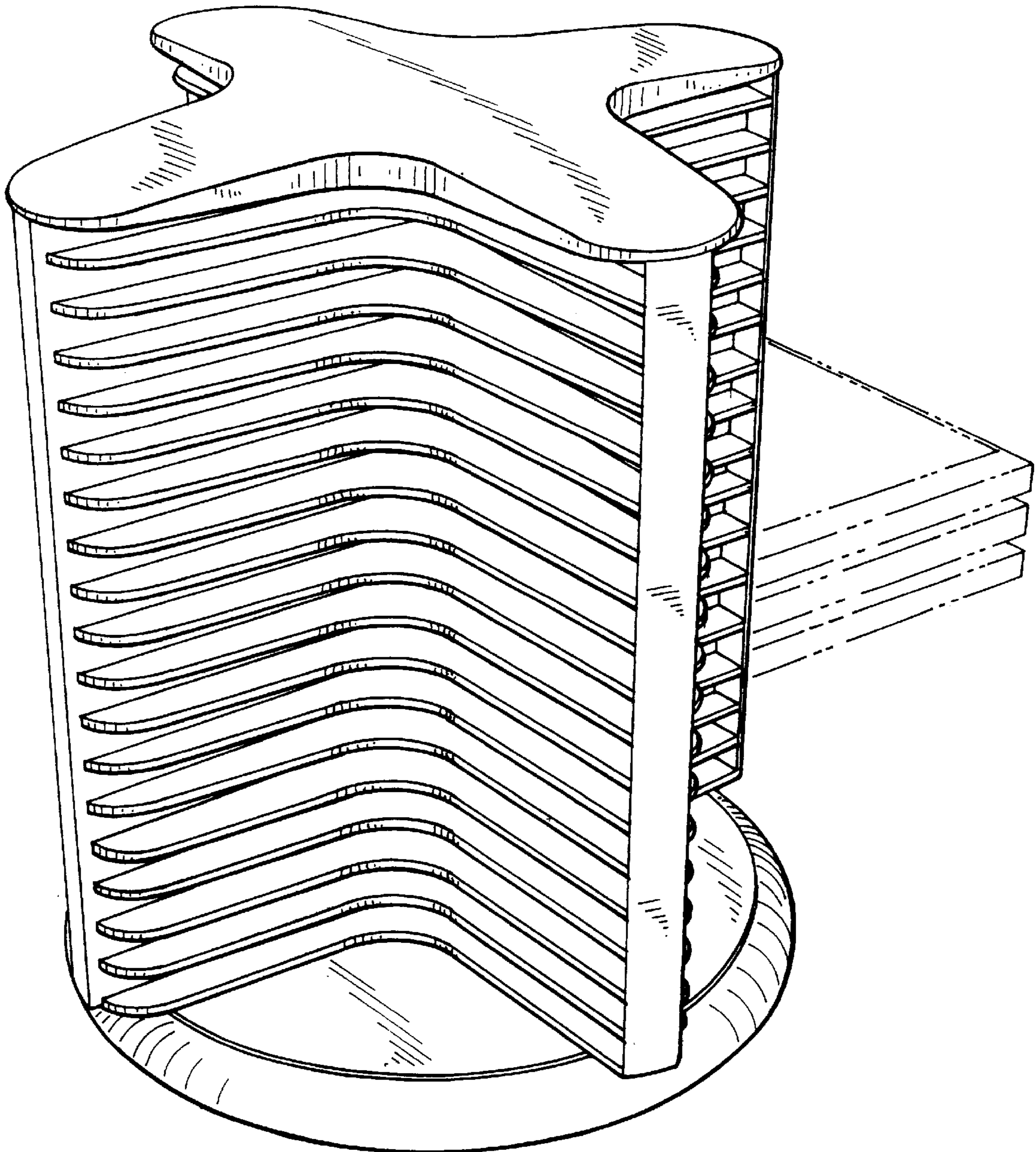


FIG. 2

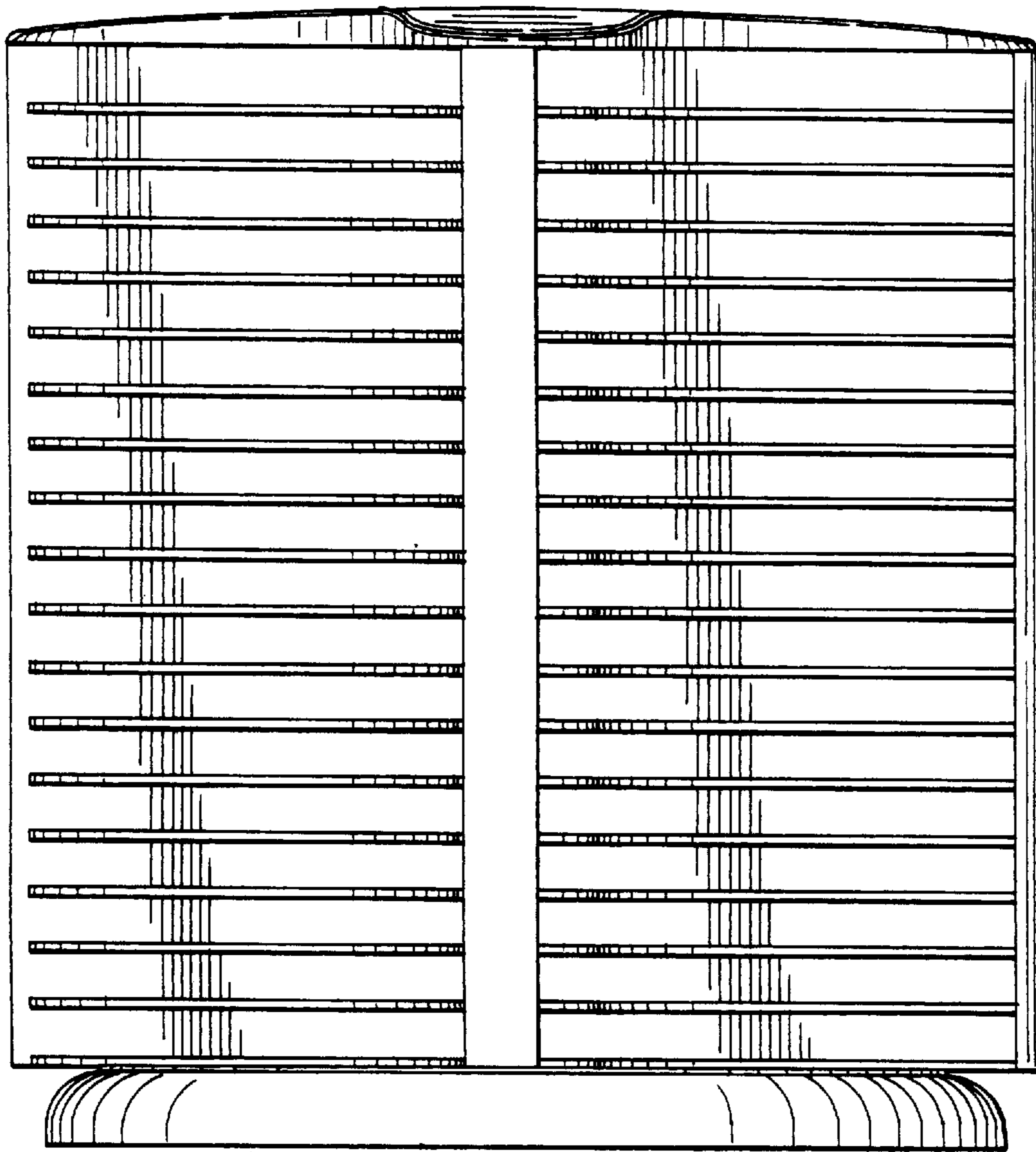


FIG. 3

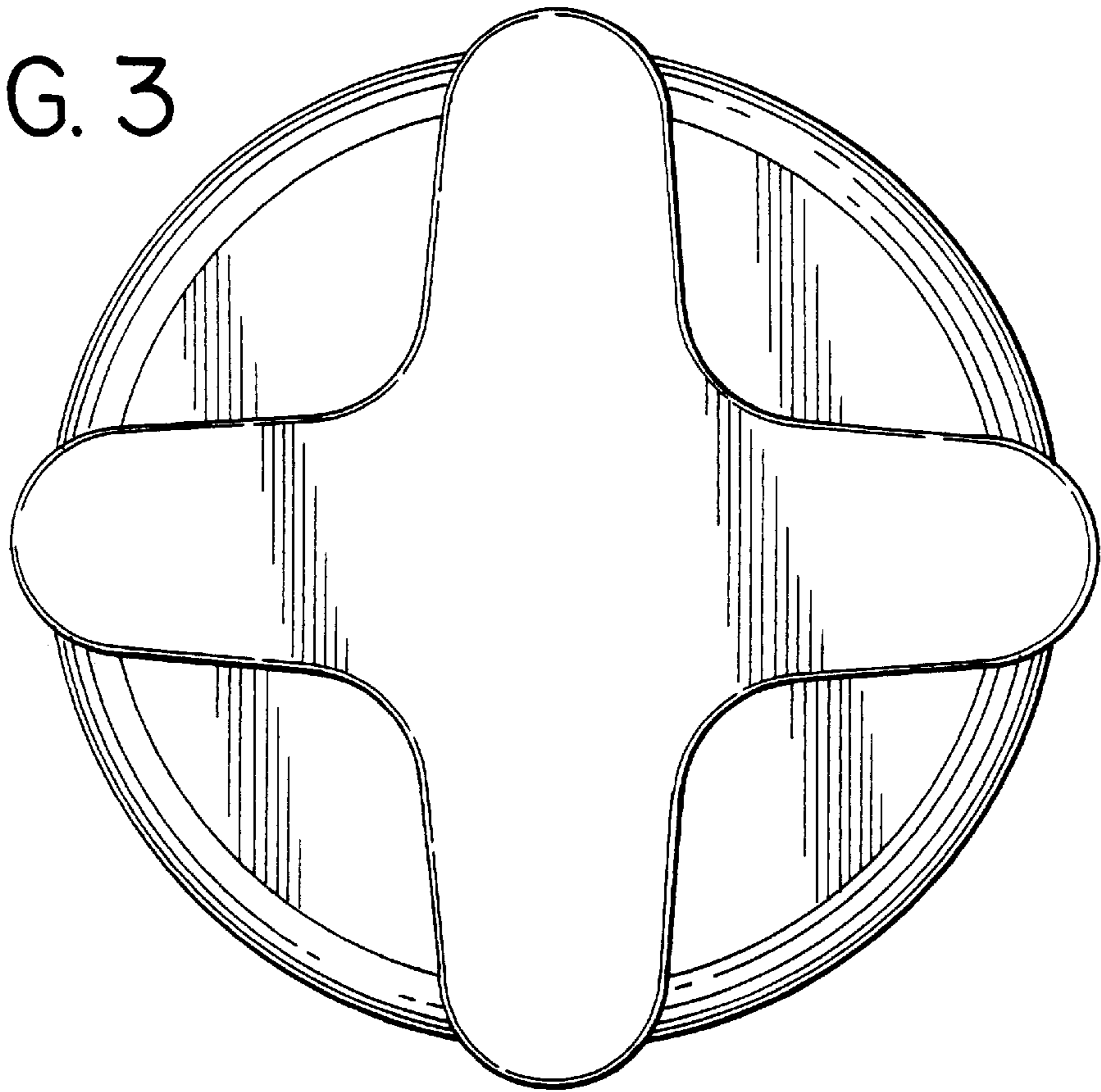


FIG. 4

