



US00D404957S

United States Patent [19]

Cheris et al.

[11] **Patent Number: Des. 404,957**

[45] **Date of Patent: **Feb. 2, 1999**

[54] **STACKABLE TRAY FOR COMPACT DISCS,
DC-ROMS AND OTHER DISCS**

4,907,703 3/1990 Alger et al. .
5,005,708 4/1991 Posso 211/387.15 X

[75] Inventors: **Albert B. Cheris**, Highland Park;
Mark Dziersk, Chicago, both of Ill.

[73] Assignee: **Tenex Corporation**, Elk Grove Village,
Ill.

[**] Term: **14 Years**

[21] Appl. No.: **79,242**

[22] Filed: **Nov. 10, 1997**

[51] **LOC (6) Cl. 06-04**

[52] **U.S. Cl. D6/629; D6/467**

[58] **Field of Search** D6/407, 626-630,
D6/462-468, 410, 411, 475, 476; D19/90,
92; 312/9.1-9.64; D32/55, 58; 211/40,
41.1, 41.2, 41.3, 41.4, 42, 41.12, 34, 41.18,
37; 206/307.1, 307, 308.1, 445, 387.15,
454, 387.1

OTHER PUBLICATIONS

Tenex Corp., Mediaworx Catalog, ©1995.
USSN 29/075,929 Drawer/Letter Tray Organizer filed Aug.
29, 1997 + allowed Dec. 18, 1997.
USSN 29/075,951 Design for Memo Holder filed Aug. 29,
1997 + allowed Mar. 11, 1998.
Orbit, New Introductions, item #1930, Jun. 1992.
Ikea Cataog, Kompass CD rack at lower right, 1994.
Global Catalog, p. 25, CDTRAXX expandable CD orga-
nizer, Nov. 1983.

Primary Examiner—Jeffrey Asch
Attorney, Agent, or Firm—Lockwood, Alex, FitzGibbon &
Cummings

[57] CLAIM

The ornamental stackable tray for compact discs, CD-Roms
and other discs, as shown and described.

DESCRIPTION

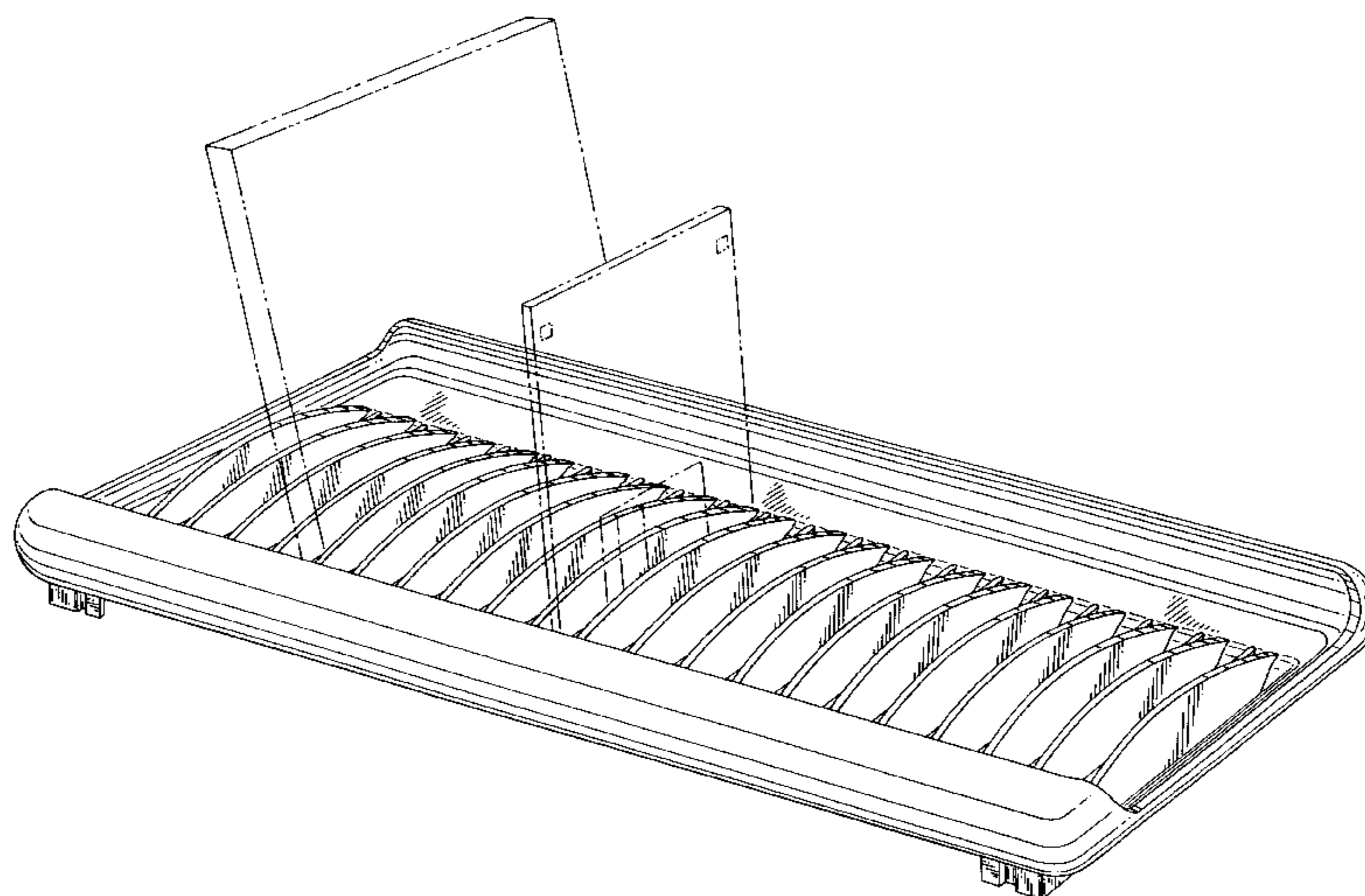
FIG. 1 is a perspective view of a disc storage tray showing
our new design, the discs depicted by means of broken lines
being for illustrative purposes only and forming no part of
the claimed design;
FIG. 2 is a top plan view thereof;
FIG. 3 is an elevational view of the front side thereof, the
rear side being a mirror image thereof;
FIG. 4 is an elevational view of one side thereof, the
opposite side being a mirror image thereof;
FIG. 5 is a bottom plan view thereof; and,
FIG. 6 is a perspective view of the disc storage tray of our
new design of FIG. 1, the two bottom letter trays being
shown to illustrate the stacking feature.
The bottom letter tray and discs, depicted by means of
broken lines, are for illustrative purposes only and form no
part of the claimed design.
The discs depicted by means of broken lines in FIGS. 1 and
6 have been shown for illustrative purposes only and form
no part of the claimed design.

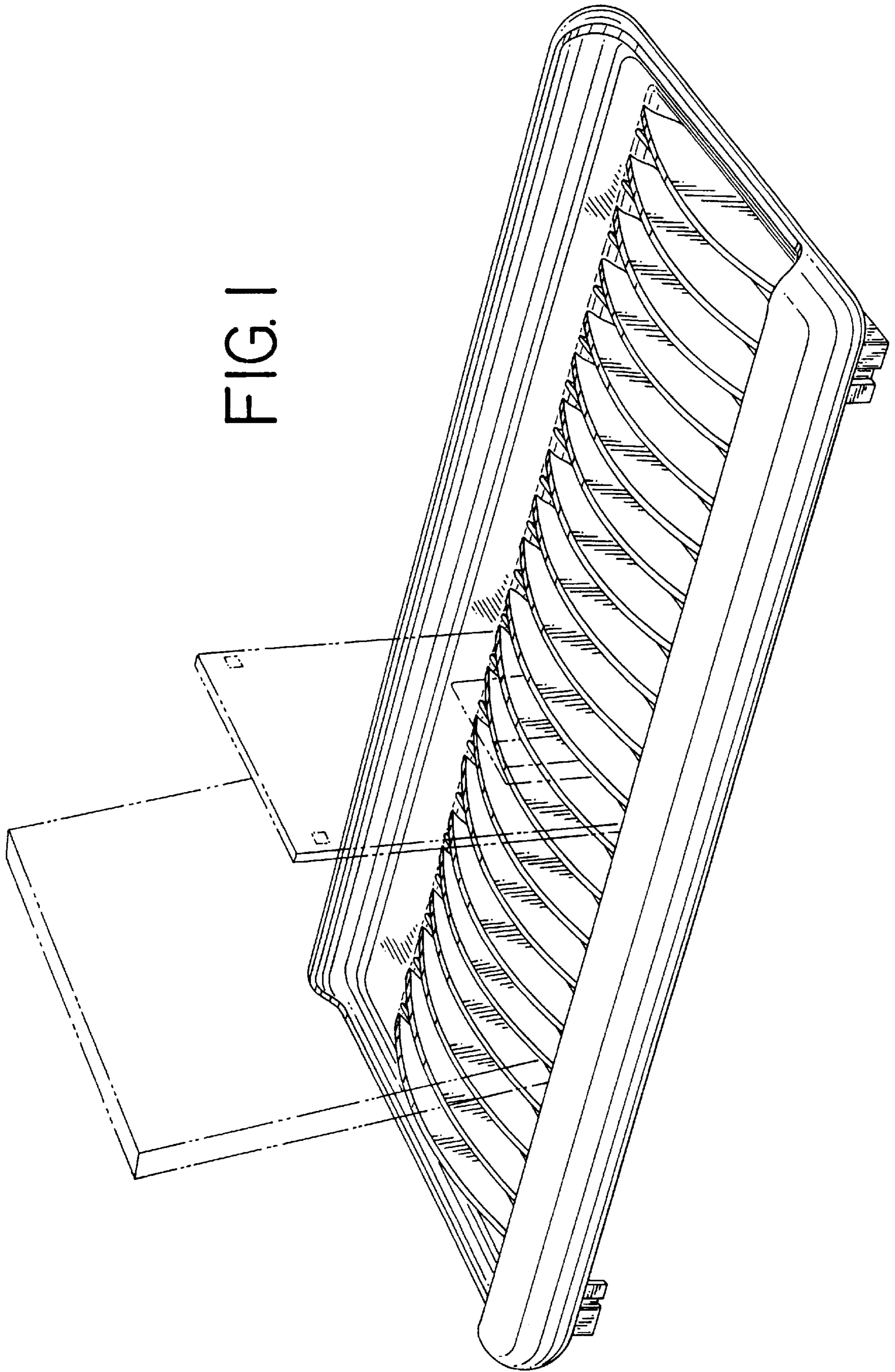
1 Claim, 4 Drawing Sheets

[56] References Cited

U.S. PATENT DOCUMENTS

D. 133,705	9/1942	Ressinger .	
D. 161,796	1/1951	Shapiro	D6/467
D. 216,605	2/1970	Brindley	D6/467
D. 256,809	9/1980	Evenson .	
D. 278,251	4/1985	Evenson .	
D. 278,253	4/1985	Evenson .	
D. 279,384	6/1985	Evenson .	
D. 321,607	11/1991	Sheung	D6/407
D. 321,771	11/1991	Cavicchia	D32/55
D. 332,187	1/1993	Stravitz	D6/407
D. 353,158	12/1994	Fenhson .	
D. 354,413	1/1995	Sedon et al.	D6/407 X
D. 358,524	5/1995	Sedon et al.	D6/629
D. 358,525	5/1995	Sedon et al.	D6/629
D. 358,526	5/1995	Sedon et al.	D6/629
D. 358,602	5/1985	Bilson .	
D. 390,876	2/1998	Cheris et al.	D19/92 X
D. 396,246	7/1998	Cheris et al.	D19/92
4,684,027	8/1987	Wright	211/40
4,781,292	11/1988	Sacherman et al.	206/308.1
4,850,477	7/1989	Gelardi et al.	206/387.15 X





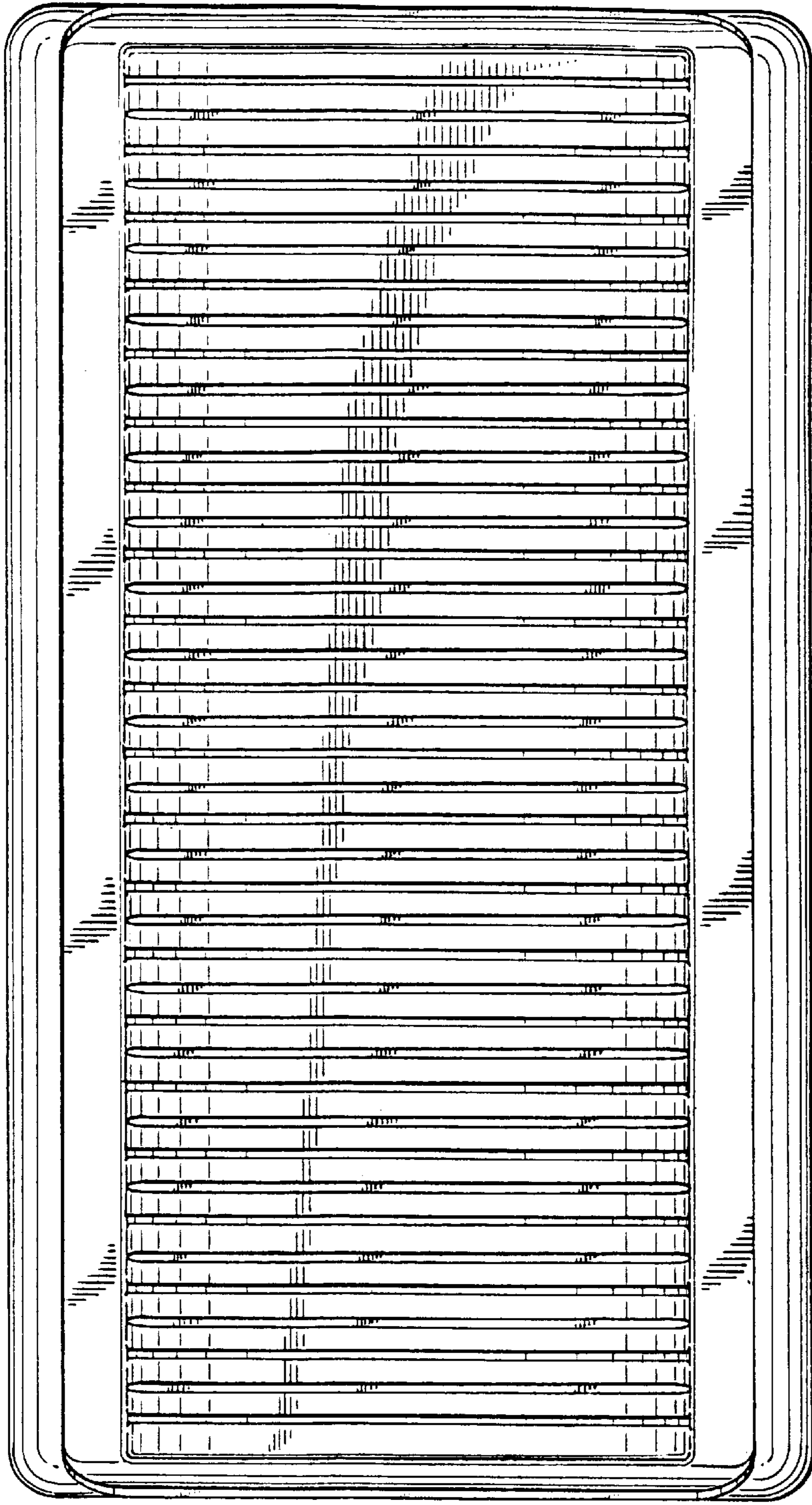


FIG. 2

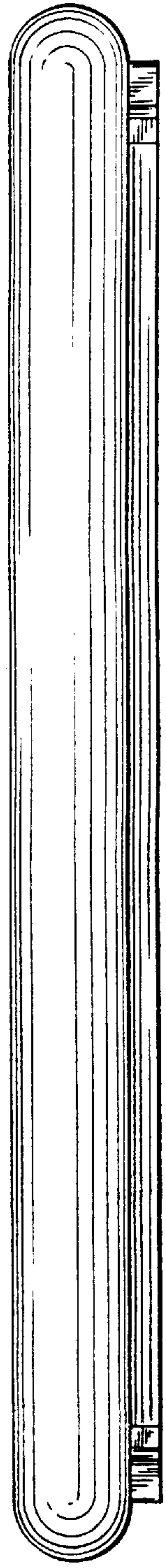


FIG. 3

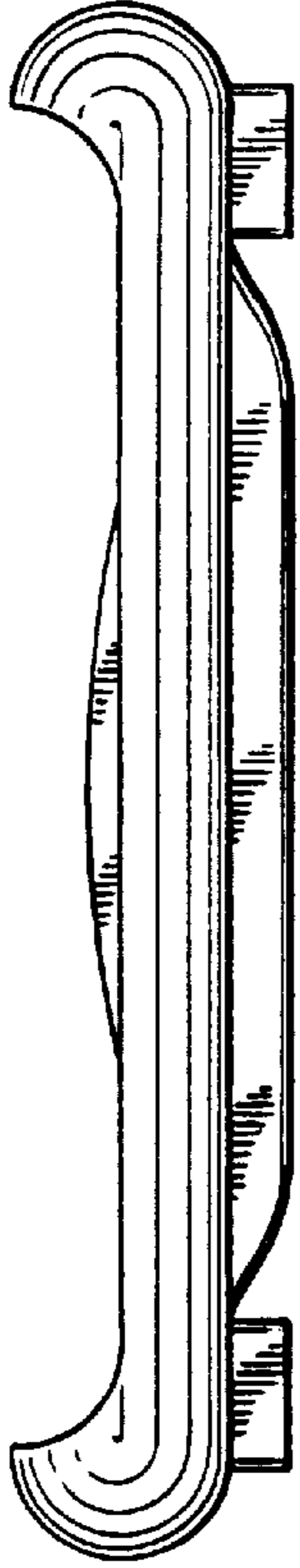
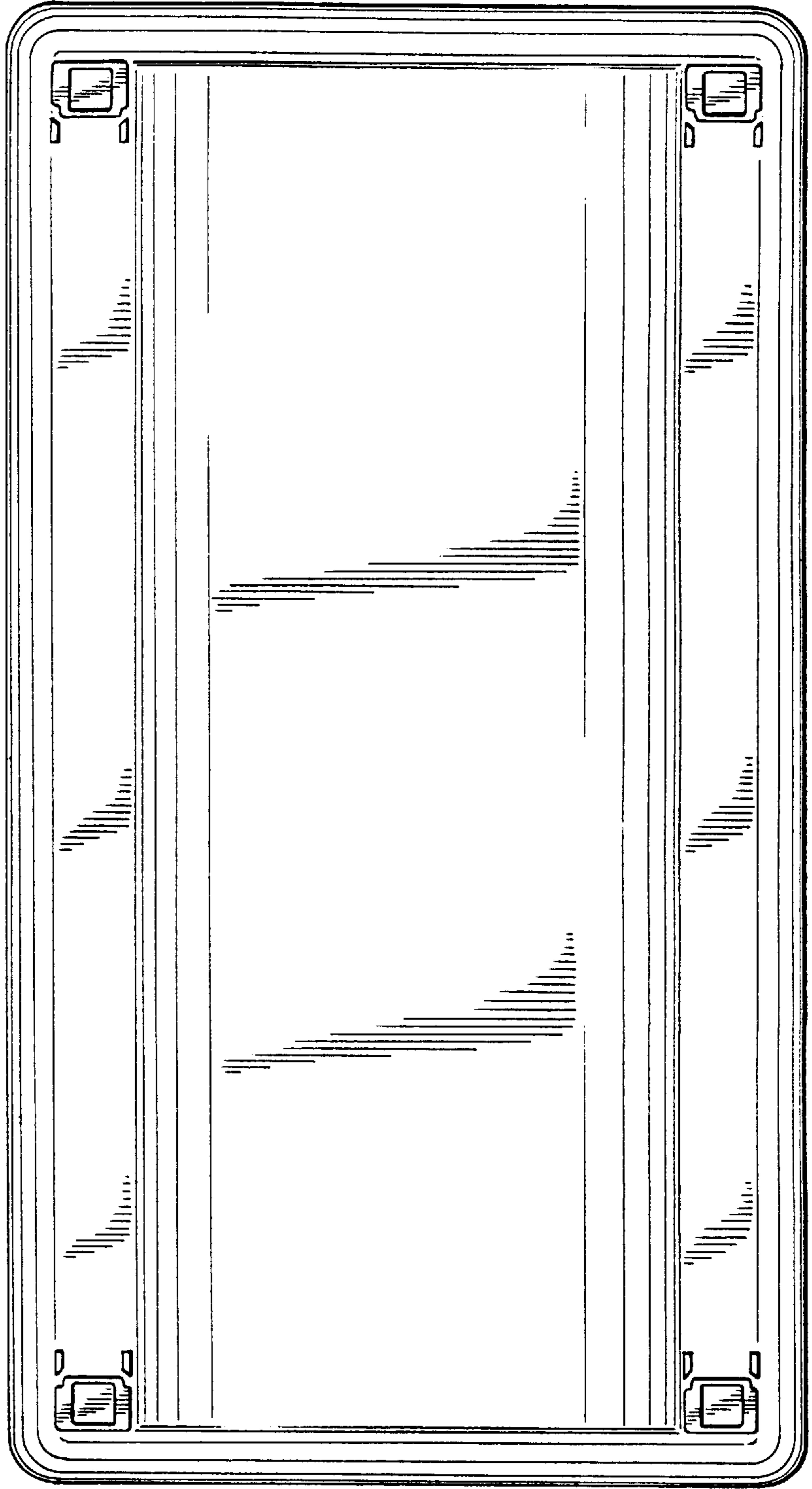


FIG. 4

FIG. 5



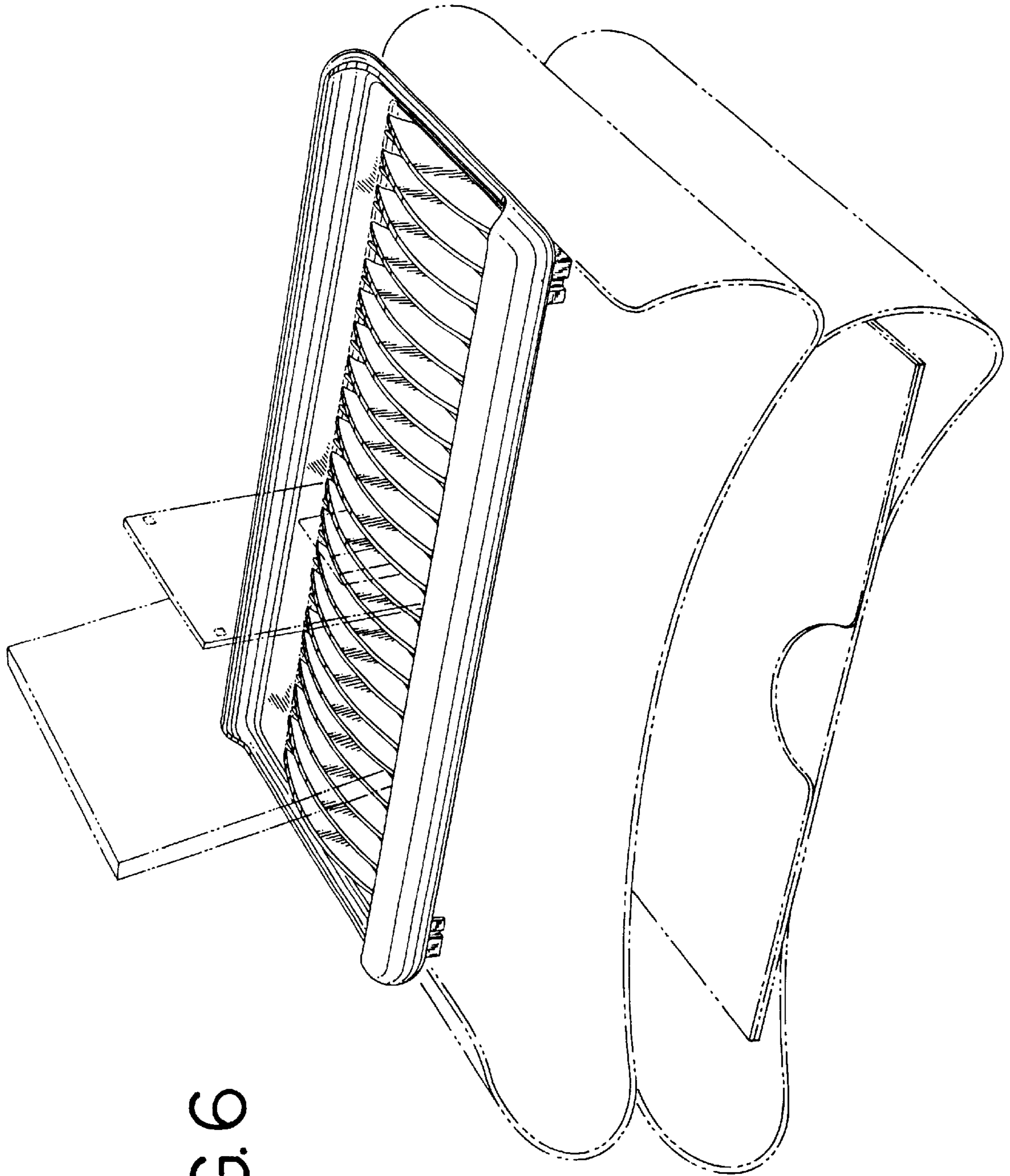


FIG. 6