



US00D404956S

United States Patent [19]

[11] Patent Number: **Des. 404,956**

Cheris et al.

[45] Date of Patent: ****Feb. 2, 1999**

[54] **STACKABLE TRAY FOR COMPACT DISCS, CD-ROMS AND OTHER DISCS**

4,850,477 7/1989 Gelardi et al. 206/387.15 X
4,907,703 3/1990 Alger .
5,005,708 4/1991 Posso 211/40

[75] Inventors: **Albert B. Cheris**, Highland Park;
Mark Dziersk, Chicago, both of Ill.

OTHER PUBLICATIONS

Orbit, New Introductions, item #1930, Jun. 1992.
Ikea Cataog, Kompass CD rack at lower right, 1994.
Global Catalog, p. 25, CDTRAXX expandable CD organizer, Nov. 1993.
Xerox Corporation, Mediaworx Catalog ©1995.
USSN 29/075,929 Drawer/Weaver Tray Organizer filed Aug. 29, 1997 allowed Dec. 18, 1997.
USSN 29/075,951 Memo Holder, filed Aug. 24, 1997 allowed Mar. 18, 1998.

[73] Assignee: **Tenex Corporation**, Elk Grove Village, Ill.

[**] Term: **14 Years**

Primary Examiner—Jeffrey Asch
Attorney, Agent, or Firm—Lockwood, Alex FitzGibbon & Cummings

[21] Appl. No.: **79,116**

[22] Filed: **Nov. 10, 1997**

[51] **LOC (6) Cl.** **06-04**

[52] **U.S. Cl.** **D6/629**

[58] **Field of Search** D6/407, 626-630,
D6/462-468, 410, 411, 475, 476; D19/90,
92; 312/9.1-9.64; D32/55, 58; 211/40,
41.1, 41.2, 41.3, 41.4, 42, 41.12, 34, 41.18,
37; 206/307.1, 307, 308.1, 445, 387.15,
454, 387.1

[57] CLAIM

The ornamental stackable tray for compact discs, CD-Roms and other discs, as shown and described.

[56] References Cited

DESCRIPTION

U.S. PATENT DOCUMENTS

D. 133,705	9/1942	Ressinger .	
D. 161,138	1/1950	Shapiro	D6/467
D. 216,605	2/1970	Brindley	D6/467
D. 256,809	9/1980	Evenson .	
D. 278,253	4/1985	Evenson .	
D. 278,254	4/1985	Evenson .	
D. 279,384	6/1985	Evenson .	
D. 321,607	11/1991	Sheung	D6/407
D. 321,771	11/1991	Cavicchia	D32/55
D. 353,158	12/1994	Evenson .	
D. 354,413	1/1995	Sedon et al.	D6/407 X
D. 358,524	5/1995	Sedon et al.	D6/629
D. 358,525	5/1995	Sedon et al.	D6/629
D. 358,526	5/1995	Sedon et al.	D6/629
D. 358,602	5/1995	Bilson .	
D. 390,876	2/1998	Cheris et al.	D19/92
4,781,292	11/1988	Sacherman et al.	206/308.1

FIG. 1 is a perspective view of a disc storage tray showing our new design, the discs depicted by means of broken lines being for illustrative purposes only and forming no part of the claimed design;

FIG. 2 is a top plan view thereof;

FIG. 3 is an elevational view of the front side thereof, the rear side being a mirror image thereof;

FIG. 4 is an elevational view of one side thereof, the opposite side being a mirror image thereof;

FIG. 5 is a bottom plan view thereof; and,

FIG. 6 is a perspective view of the disc storage tray of our new design of FIG. 1, the bottom letter tray being shown to illustrate the stacking feature.

The bottom letter tray and discs, depicted by means of broken lines, are for illustrative purposes only and form no part of the claimed design.

1 Claim, 4 Drawing Sheets

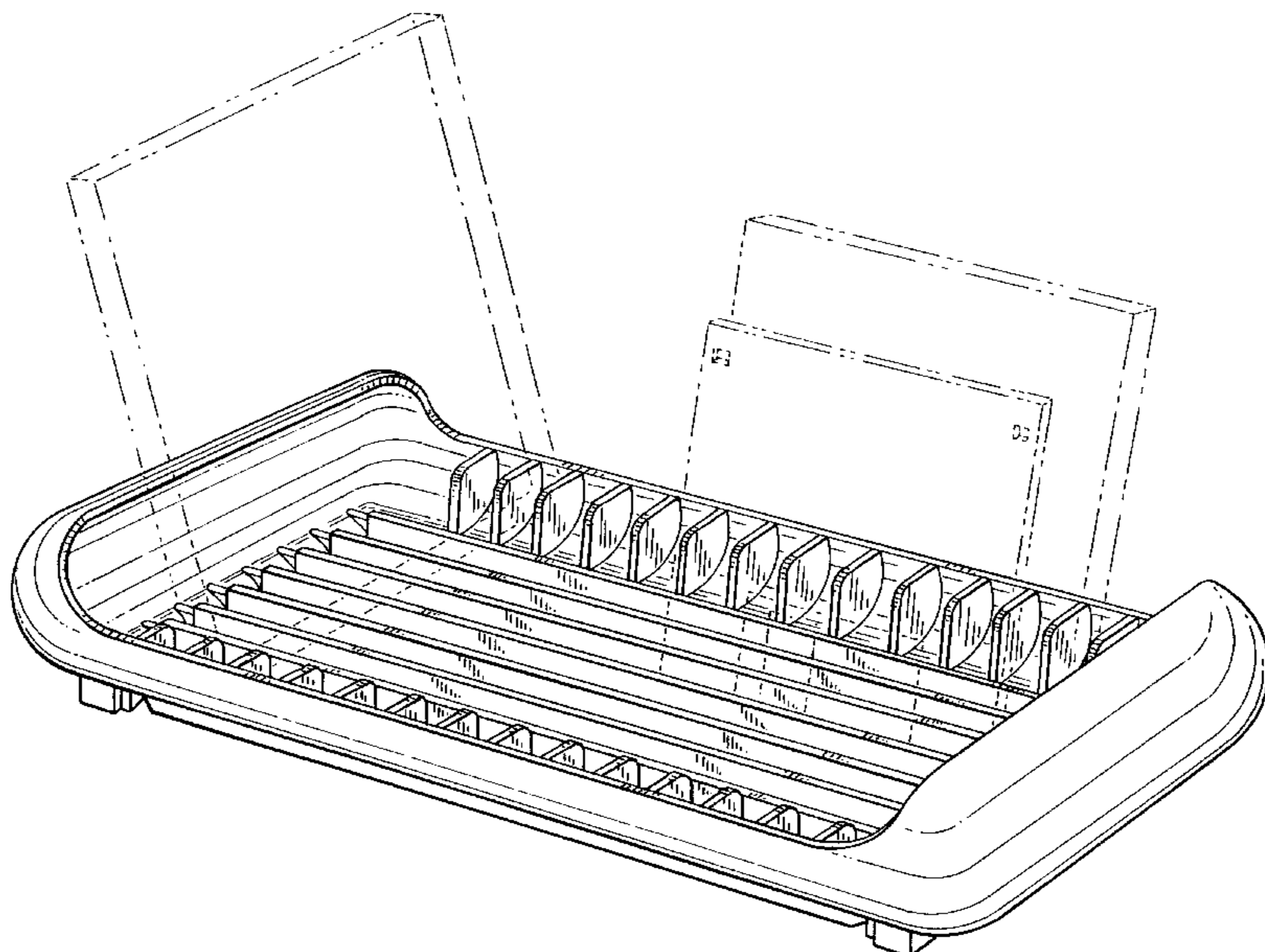
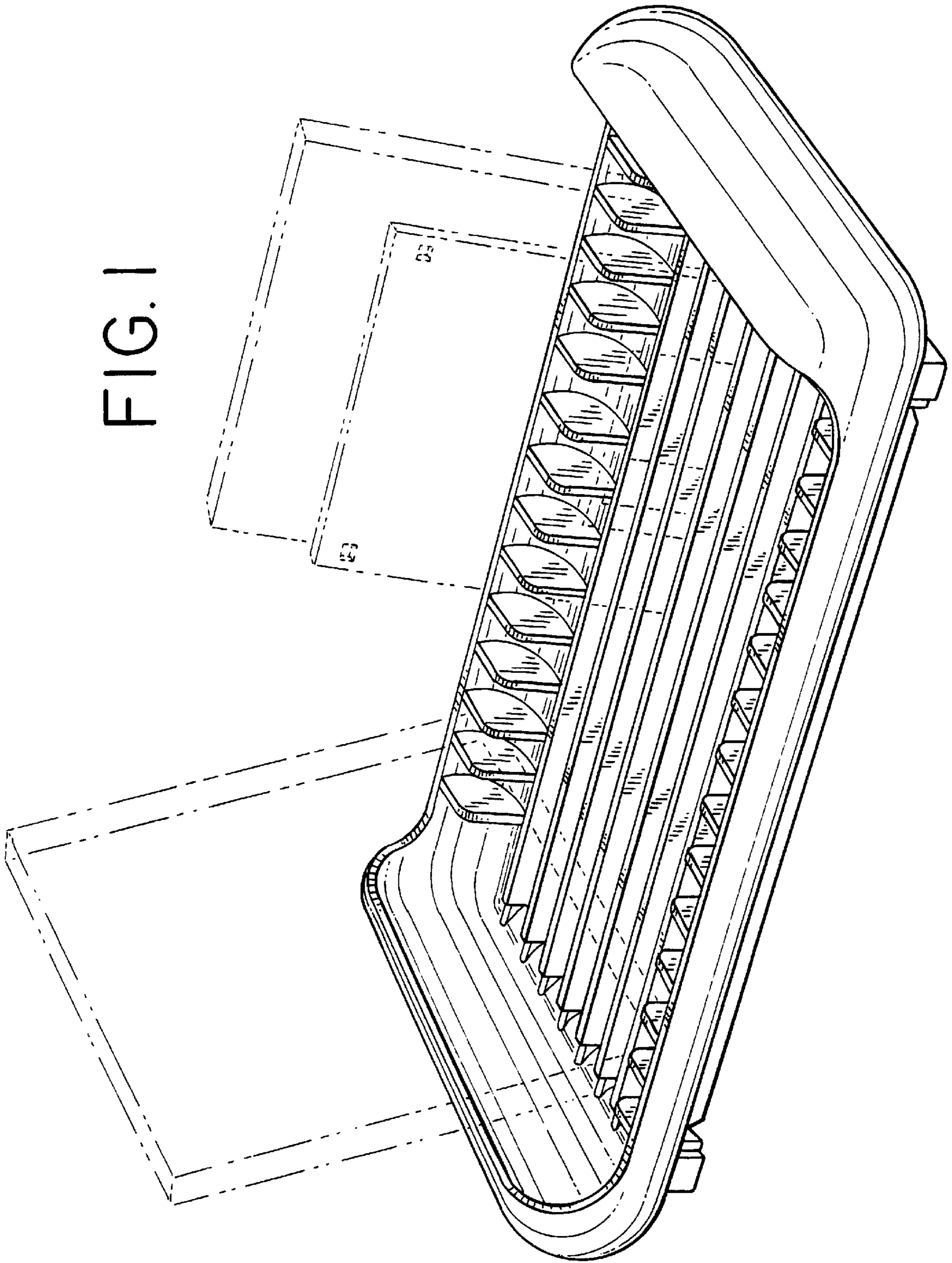


FIG. 1



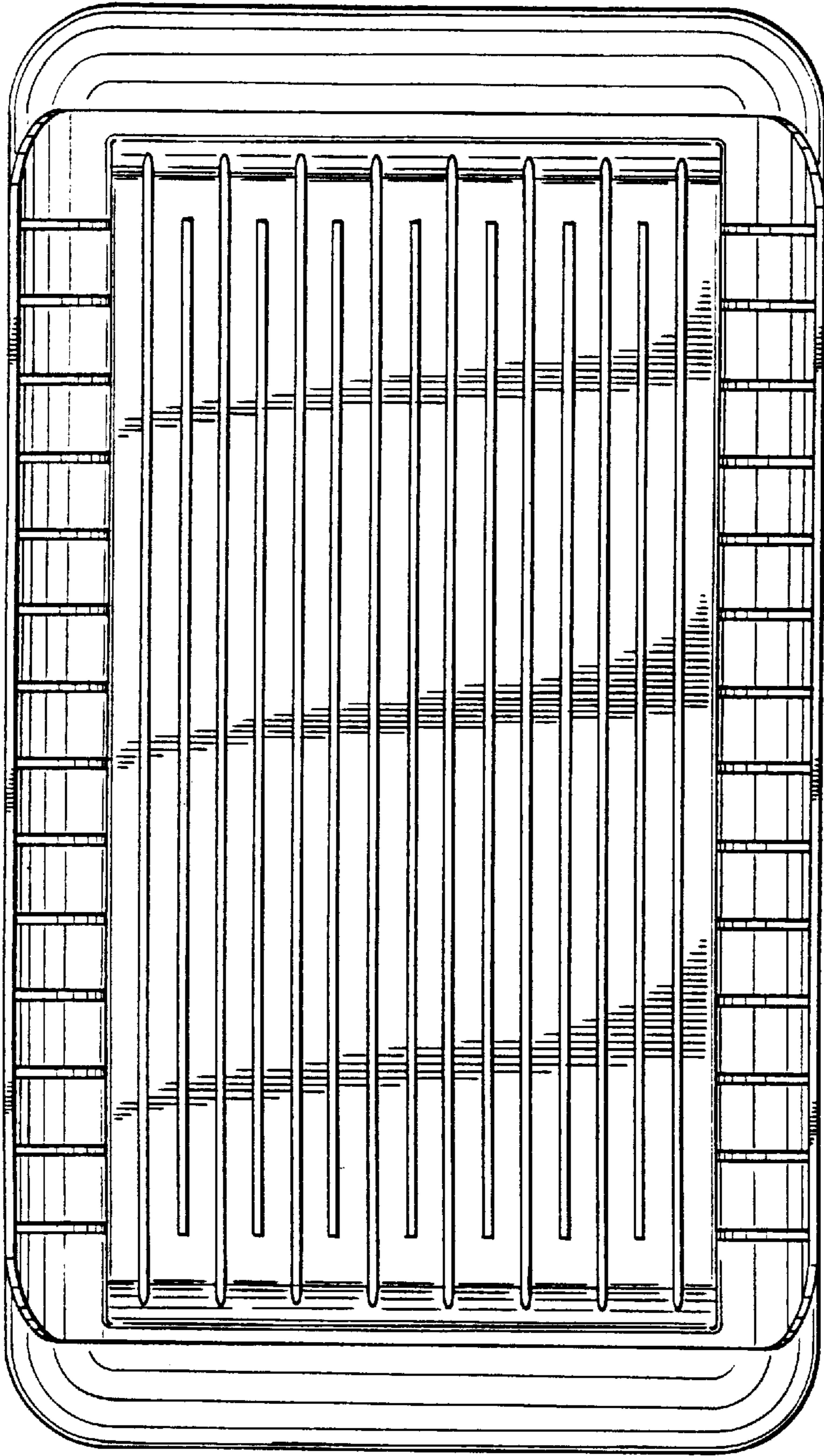


FIG. 2

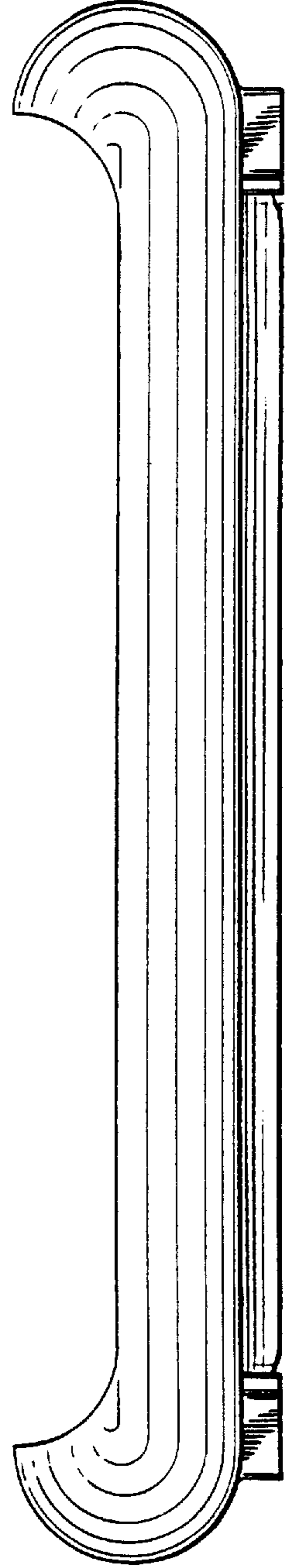


FIG. 3

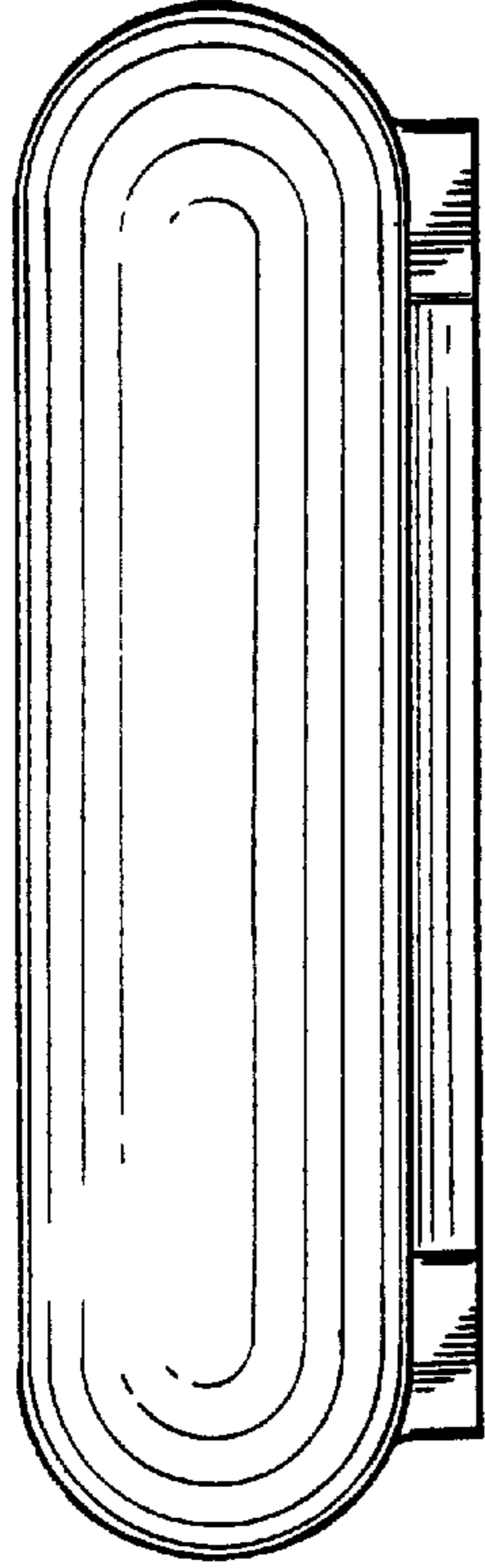


FIG. 4

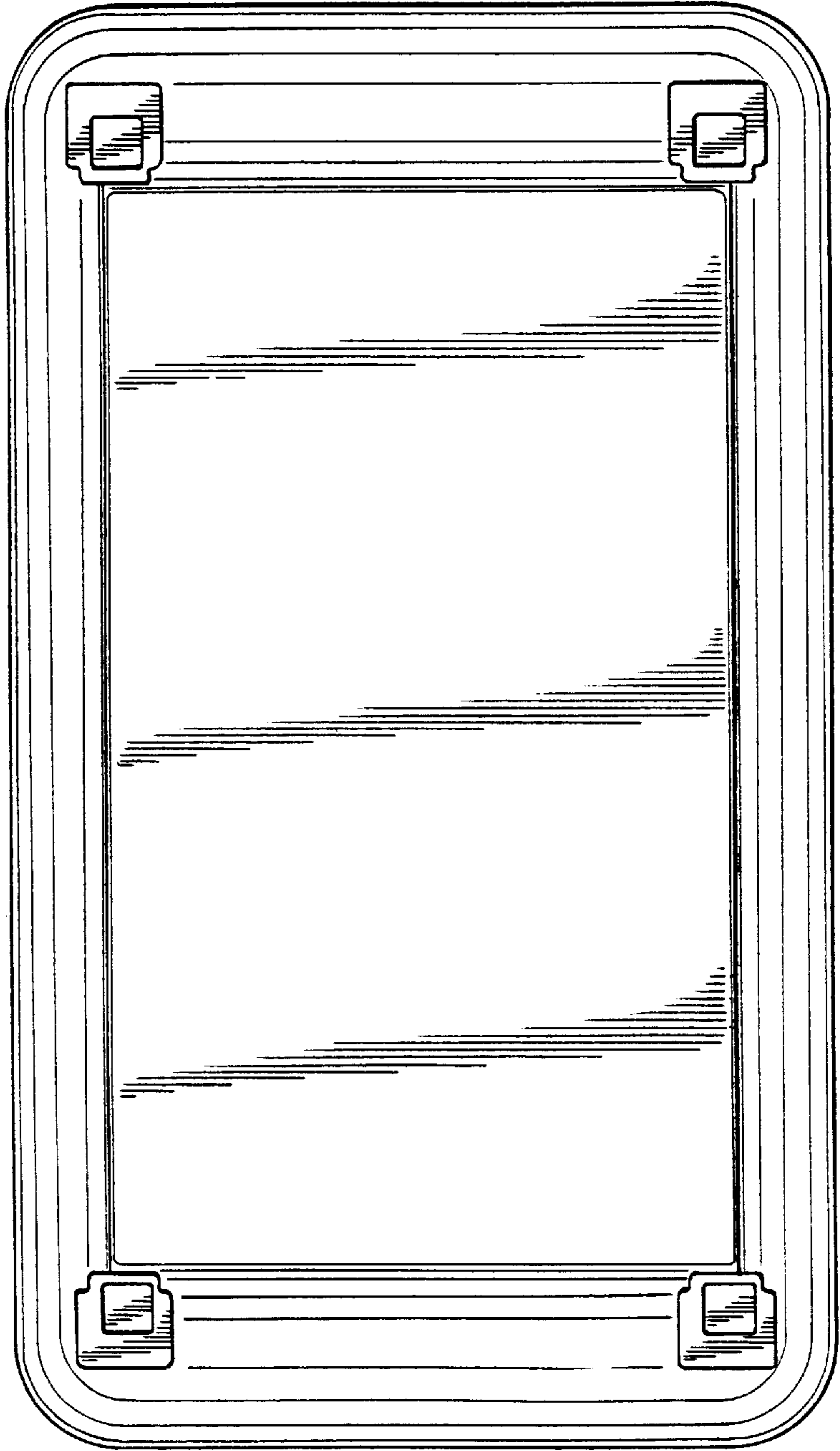


FIG. 5

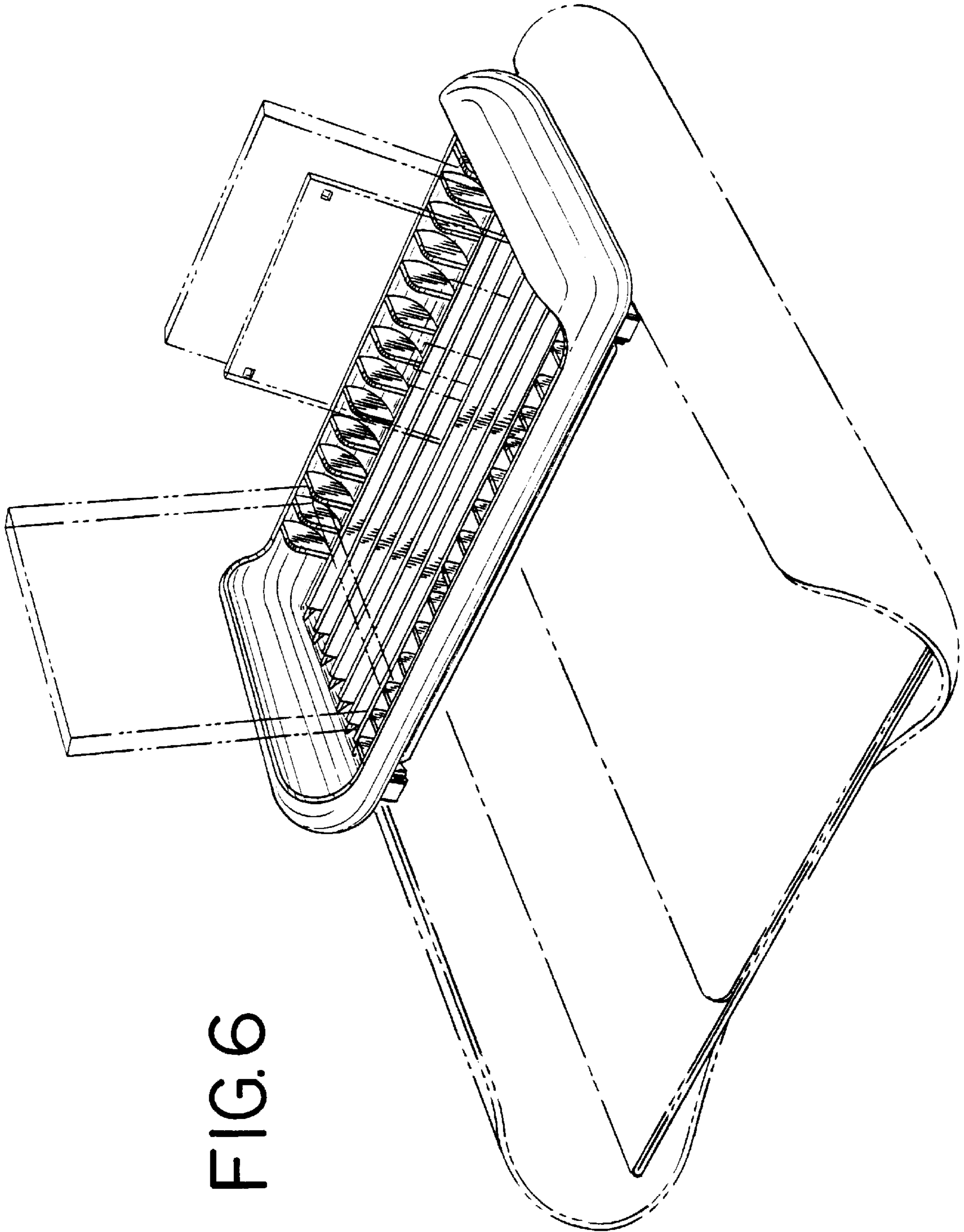


FIG.6