



US00D404954S

United States Patent [19] Spaeth

[11] **Patent Number: Des. 404,954**

[45] **Date of Patent: **Feb. 2, 1999**

[54] **CUSHION**

[75] Inventor: **Kenneth A. Spaeth**, Two Rivers, Wis.

[73] Assignee: **Estran Corporation**, Two Rivers, Wis.

[**] Term: **14 Years**

[21] Appl. No.: **77,670**

[22] Filed: **Oct. 7, 1997**

[51] **LOC (6) Cl.** **06-09**

[52] **U.S. Cl.** **D6/601**

[58] **Field of Search** D6/595, 596, 601,
D6/604; 5/630-633, 636-638, 652, 652.1,
653-655, 655.3, 656; 297/397, 391, 219.1,
219.12, 220, 225, 229

[56] **References Cited**

U.S. PATENT DOCUMENTS

D. 361,683 8/1995 Juhl D6/501

D. 378,476 3/1997 Spaeth .
2,255,248 9/1941 Gordon 5/653
4,097,086 6/1978 Hudson 297/397
5,281,000 1/1994 Ackley 297/220

Primary Examiner—Janice E. Seeger
Attorney, Agent, or Firm—Ryan Kromholz & Manion

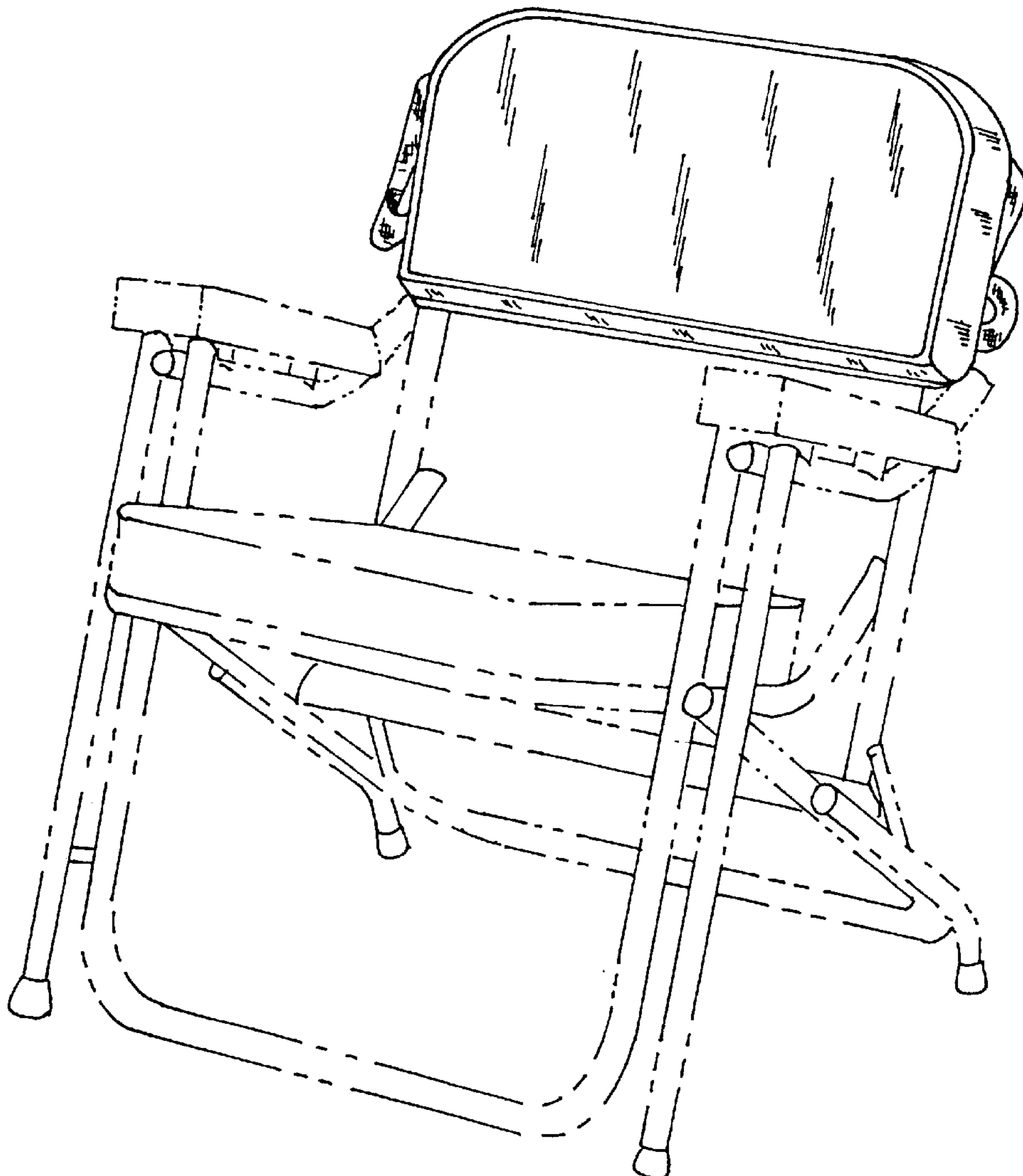
[57] **CLAIM**

The ornamental design for a cushion, as shown and described.

DESCRIPTION

FIG. 1 is a rear perspective view of a cushion, showing my new design; the broken lines are for environmental purposes only and form no part of the claimed design;
FIG. 2 is a rear perspective view showing the straps in an alternate position; and,
FIG. 3 is a front perspective view thereof.

1 Claim, 3 Drawing Sheets



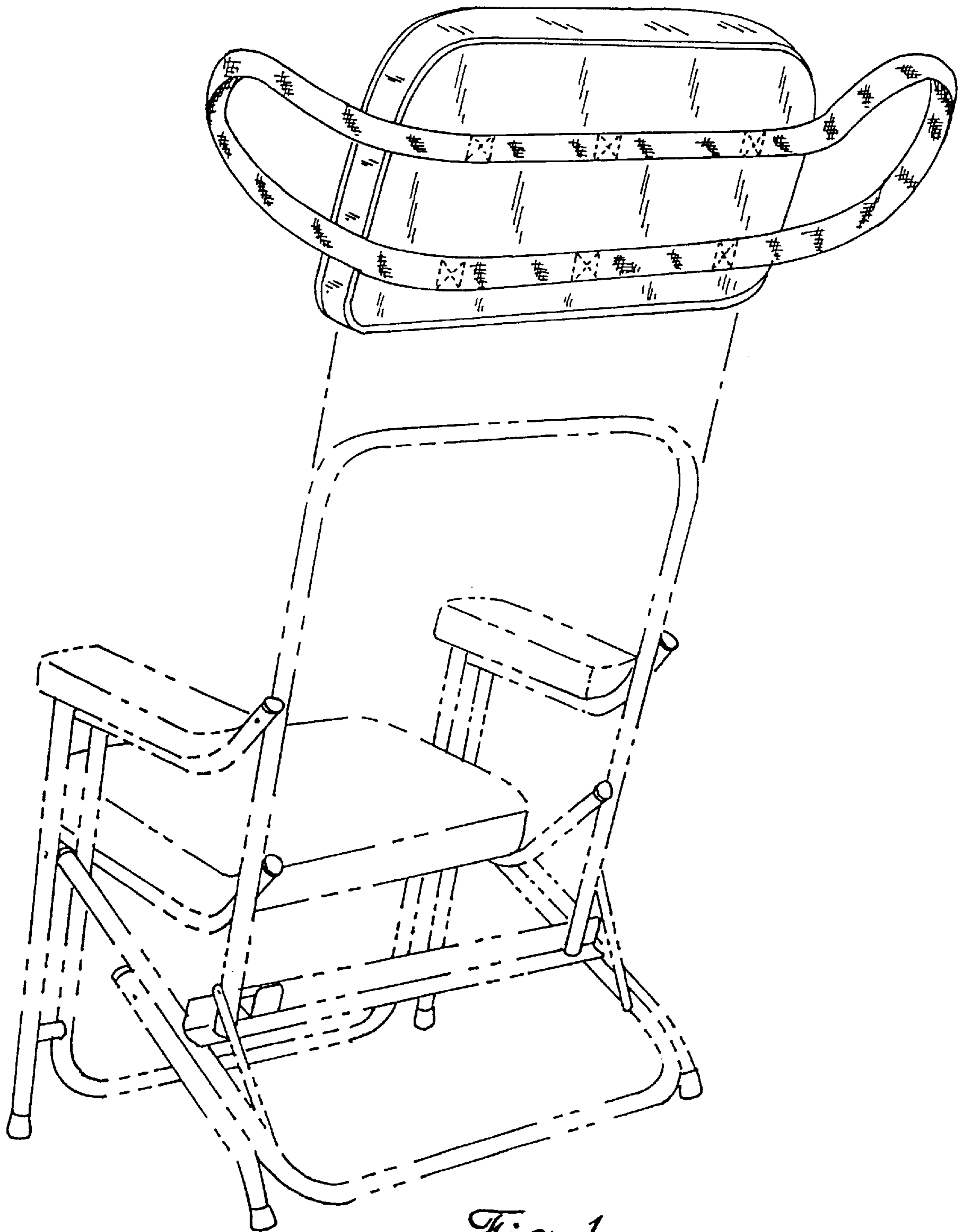


Fig. 1

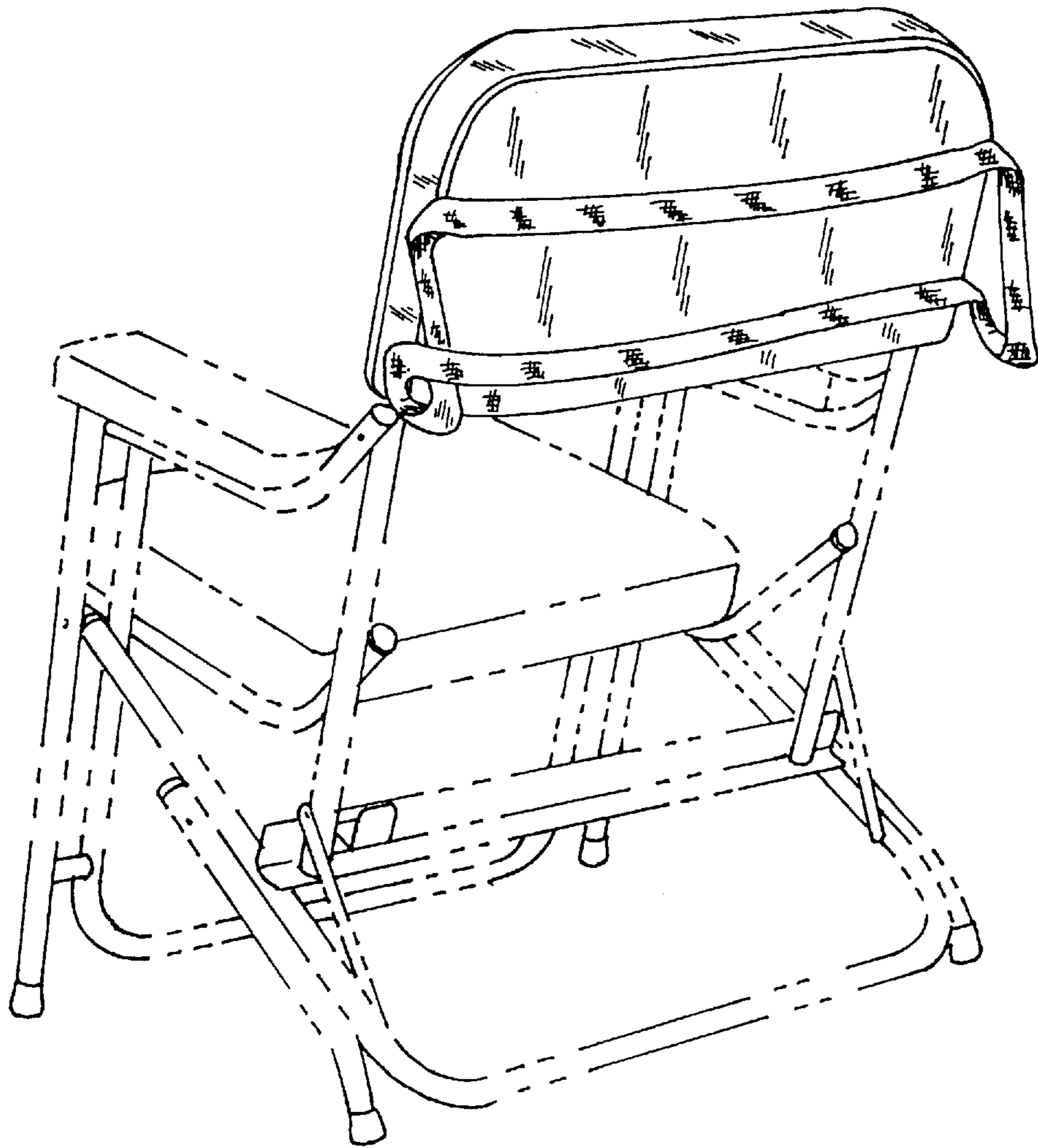


Fig. 2

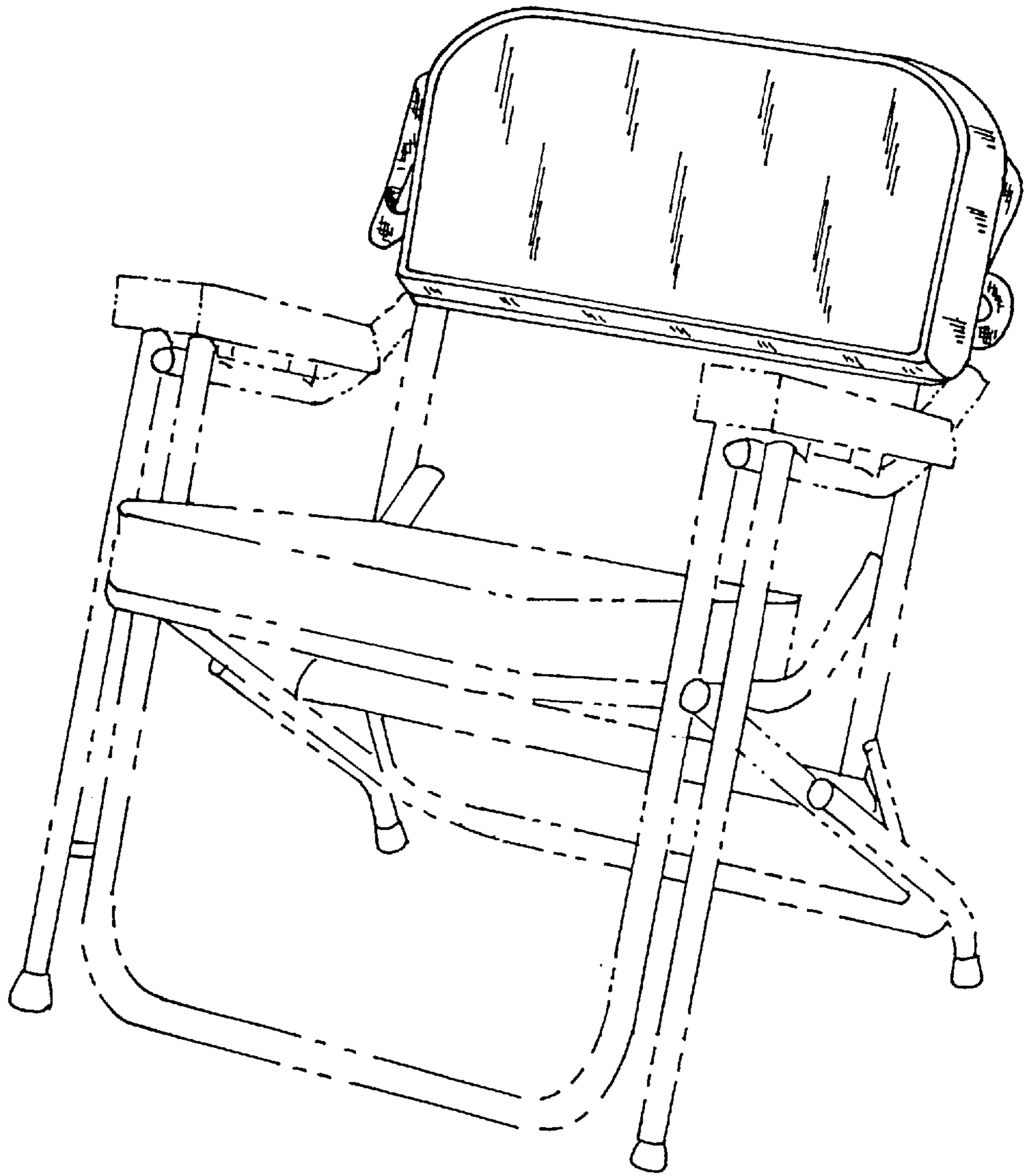


Fig. 3