



US00D404950S

# United States Patent [19] Burch

[11] **Patent Number: Des. 404,950**

[45] **Date of Patent: \*\*Feb. 2, 1999**

[54] **CONTAINER FOR DISPENSING FLUID**

[75] Inventor: **Thomas B. Burch**, Boone, N.C.

[73] Assignee: **Burch Company**, North Wilkesboro, N.C.

[\*\*] Term: **14 Years**

[21] Appl. No.: **70,301**

[22] Filed: **May 5, 1997**

[51] **LOC (6) Cl.** ..... **07-07**

[52] **U.S. Cl.** ..... **D6/545**

[58] **Field of Search** ..... D6/542-545; D9/516, D9/517, 572, 573, 574, 575; 222/92, 105, 181.1, 325, 323, 465.1, 466

[56] **References Cited**

**U.S. PATENT DOCUMENTS**

- D. 317,690 6/1991 Thomsen ..... D6/542
- D. 331,516 12/1992 Waring ..... D6/545

- D. 332,544 1/1993 Steiner et al. .... D6/545
- D. 342,176 12/1993 Steiner et al. .... D6/545
- 4,164,306 8/1979 Perrin ..... 222/325
- 5,566,842 10/1966 Dennis ..... D6/545 X

*Primary Examiner*—Brian N. Vinson  
*Attorney, Agent, or Firm*—Dougherty & Dremann

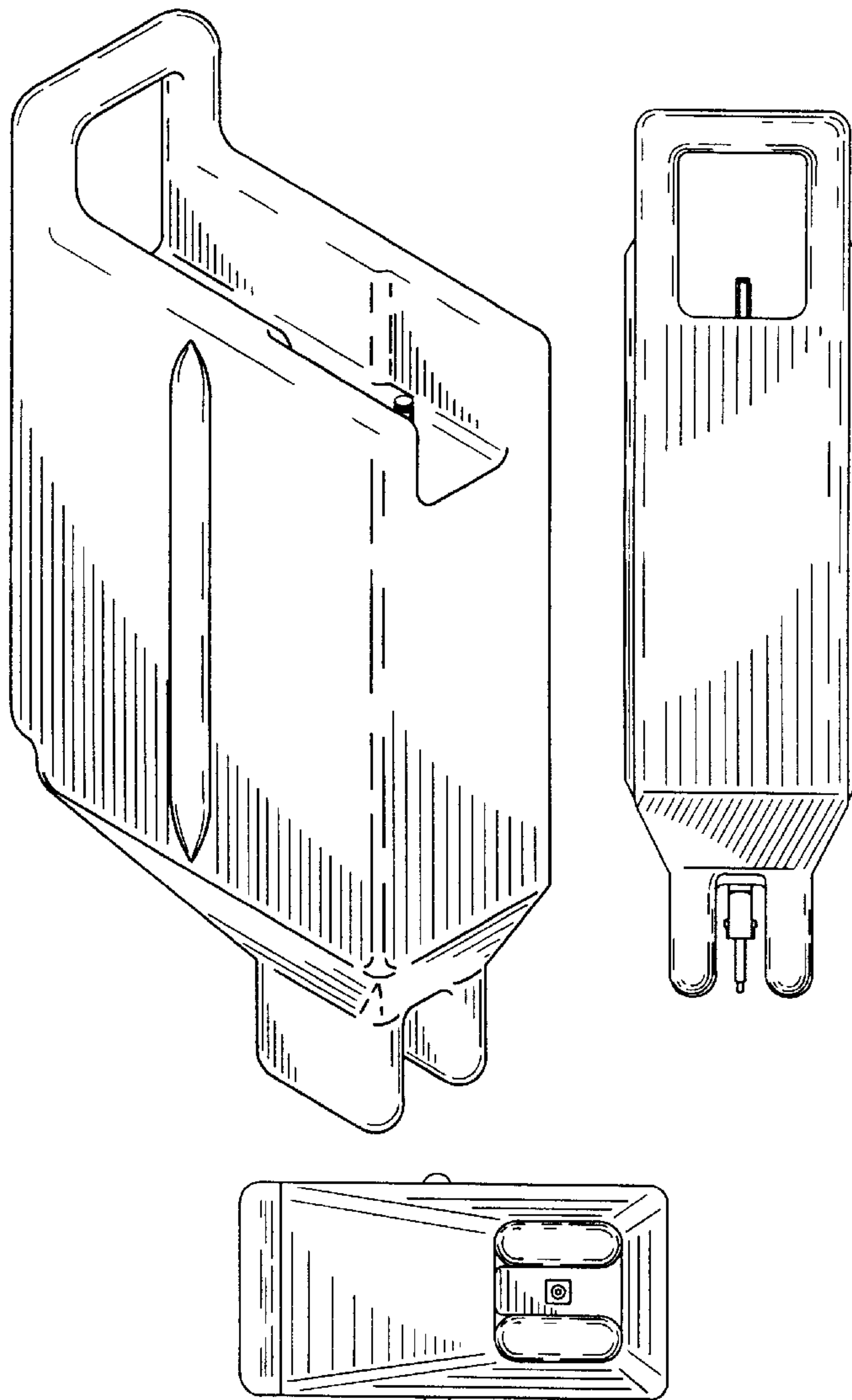
[57] **CLAIM**

The ornamental design for a container for dispensing fluid, as shown and described.

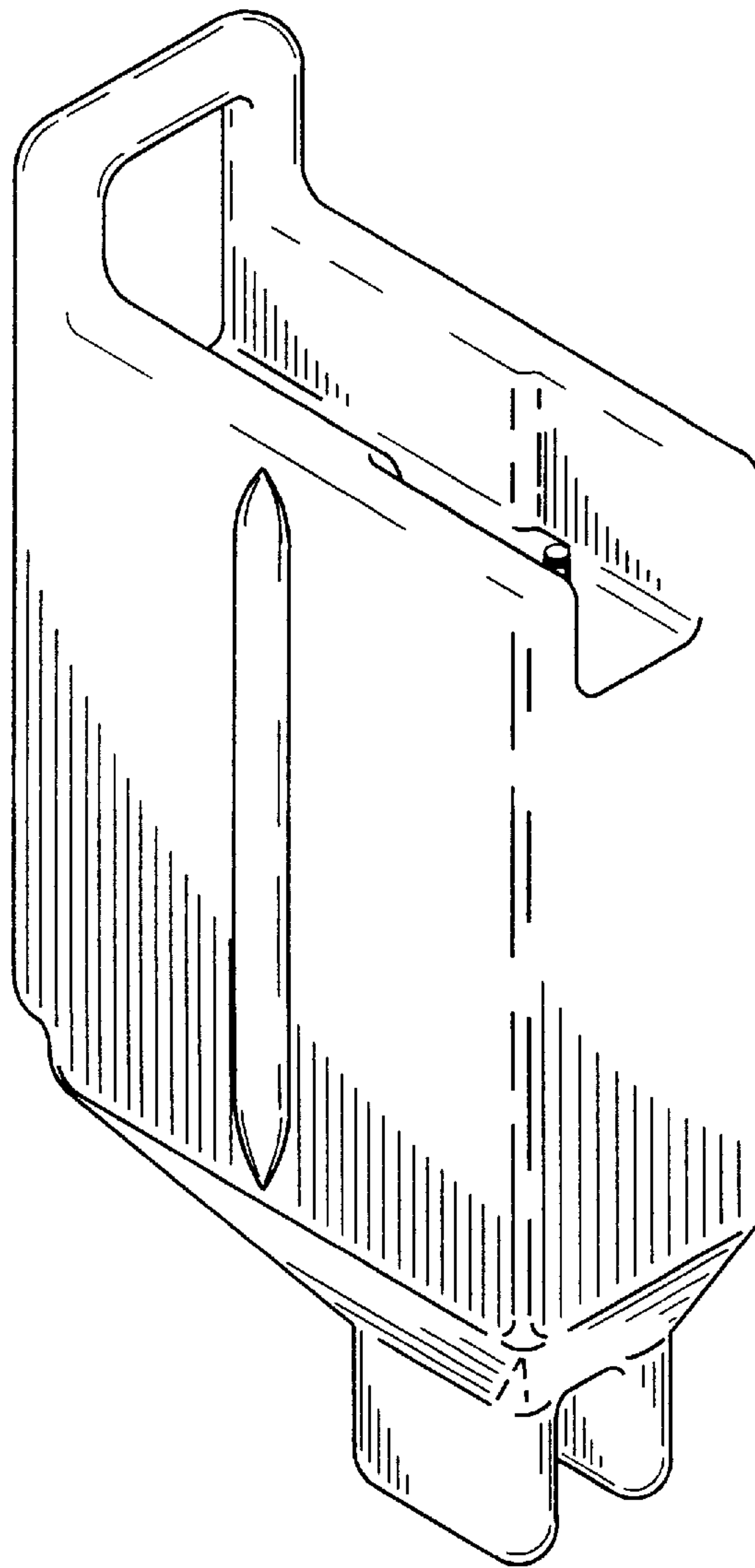
**DESCRIPTION**

FIG. 1 is a perspective view of a container for dispensing fluid, showing my new design;  
FIG. 2 is a top view of the container of FIG. 1;  
FIG. 3 is a left side elevational view thereof;  
FIG. 4 is a front elevational view thereof, the rear being a mirror image;  
FIG. 5 is a right side elevational view thereof; and,  
FIG. 6 is a bottom view thereof.

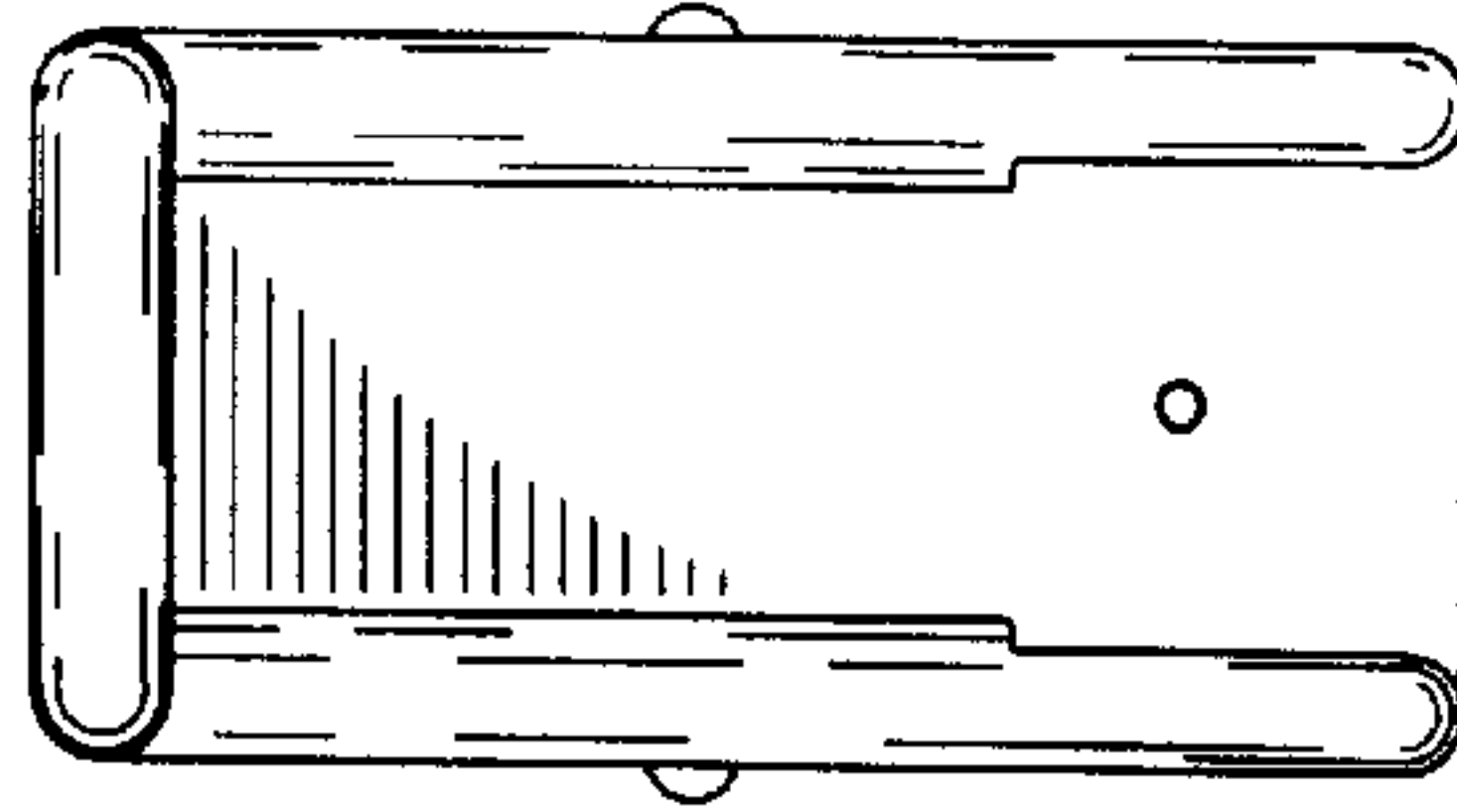
**1 Claim, 2 Drawing Sheets**



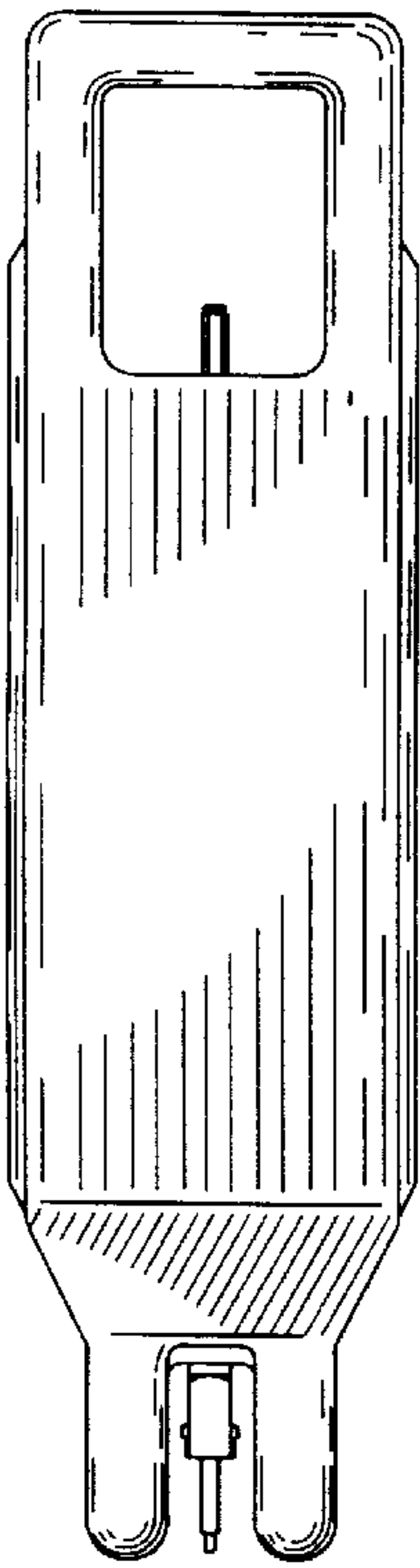
*Fig. 1*



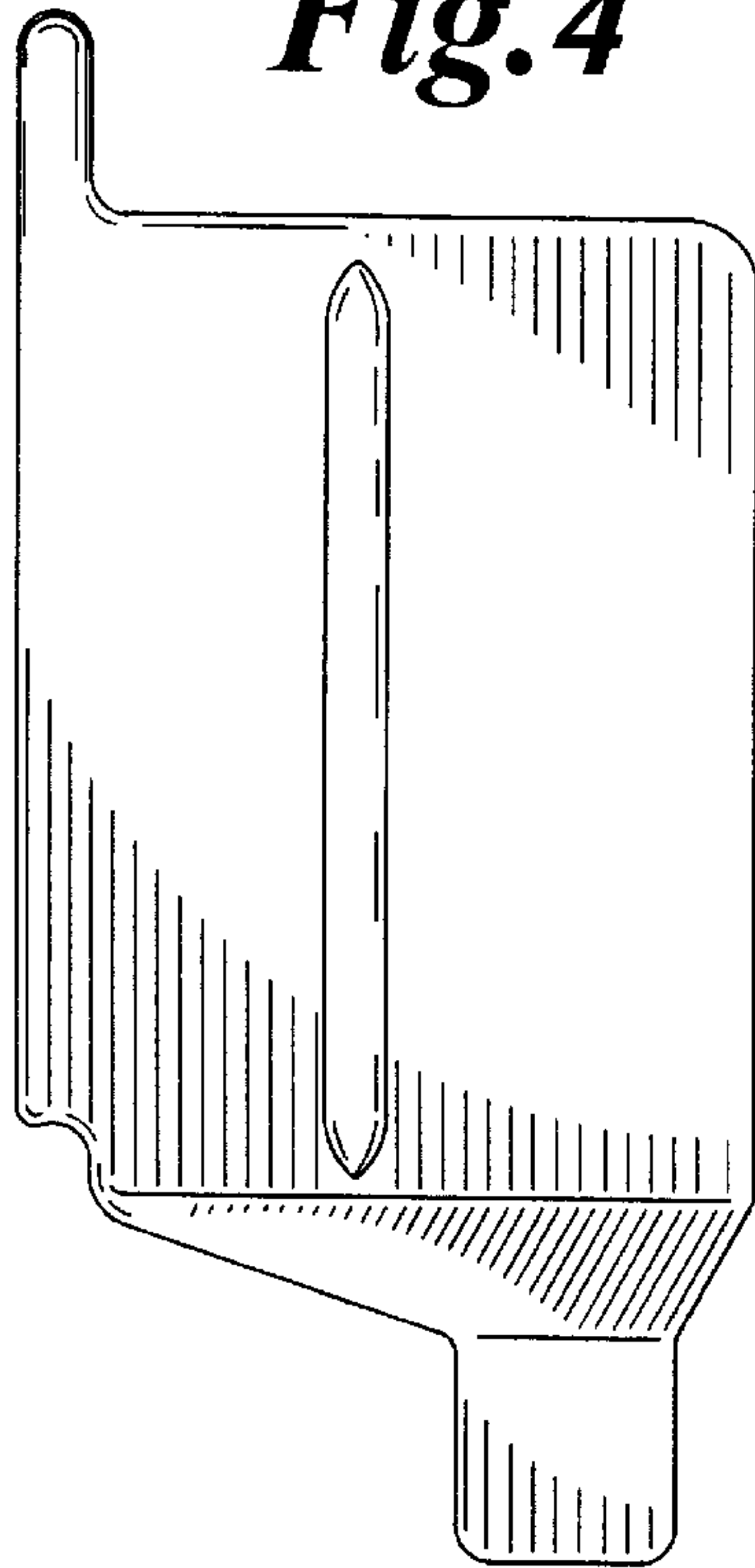
*Fig.2*



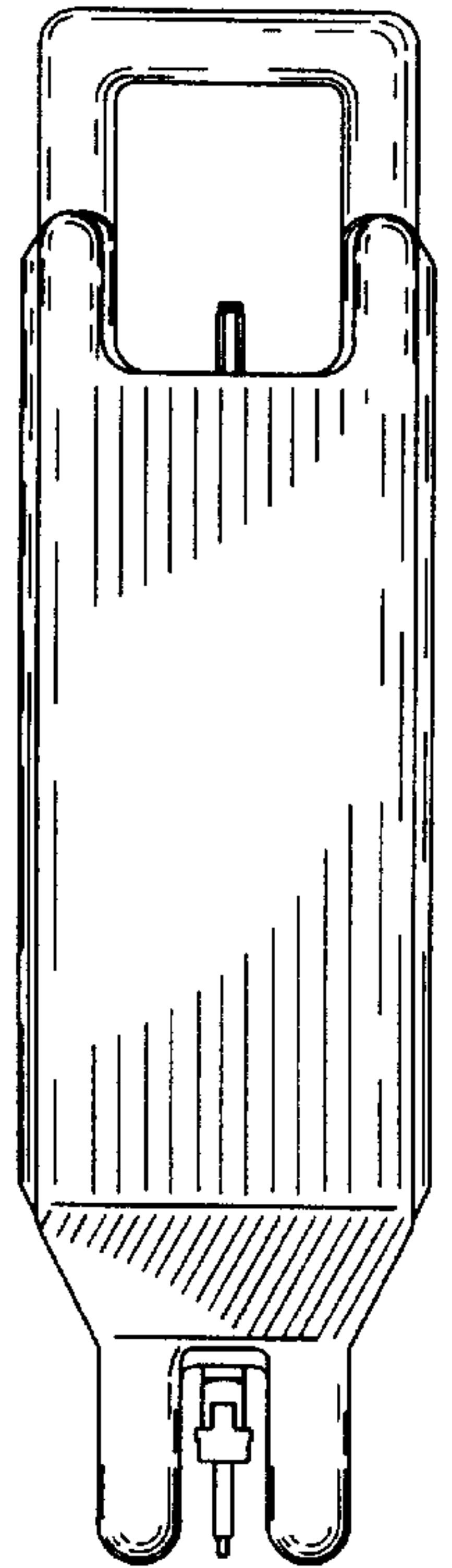
*Fig.3*



*Fig.4*



*Fig.5*



*Fig.6*

