



US00D404948S

United States Patent [19]
Yemini

[11] **Patent Number: Des. 404,948**

[45] **Date of Patent: **Feb. 2, 1999**

[54] **SHOWER CADDY**

D. 309,225 7/1990 Scarbro D6/525

[75] Inventor: **Zvi Yemini**, Tel Aviv, Israel

Primary Examiner—Brian N. Vinson
Attorney, Agent, or Firm—Edgar A. Zarins; Leon E. Redman; Myron E. Kapustij

[73] Assignee: **Zenith Products Corp.**, New Castle, Del.

[**] Term: **14 Years**

[57] **CLAIM**

The ornamental design for a shower caddy, as shown and described.

[21] Appl. No.: **65,691**

[22] Filed: **Jan. 24, 1997**

DESCRIPTION

[51] **LOC (6) Cl.** **07-07**

[52] **U.S. Cl.** **D6/525**

[58] **Field of Search** D6/524, 525; 211/13.1, 211/86-88, 90, 126.1, 134

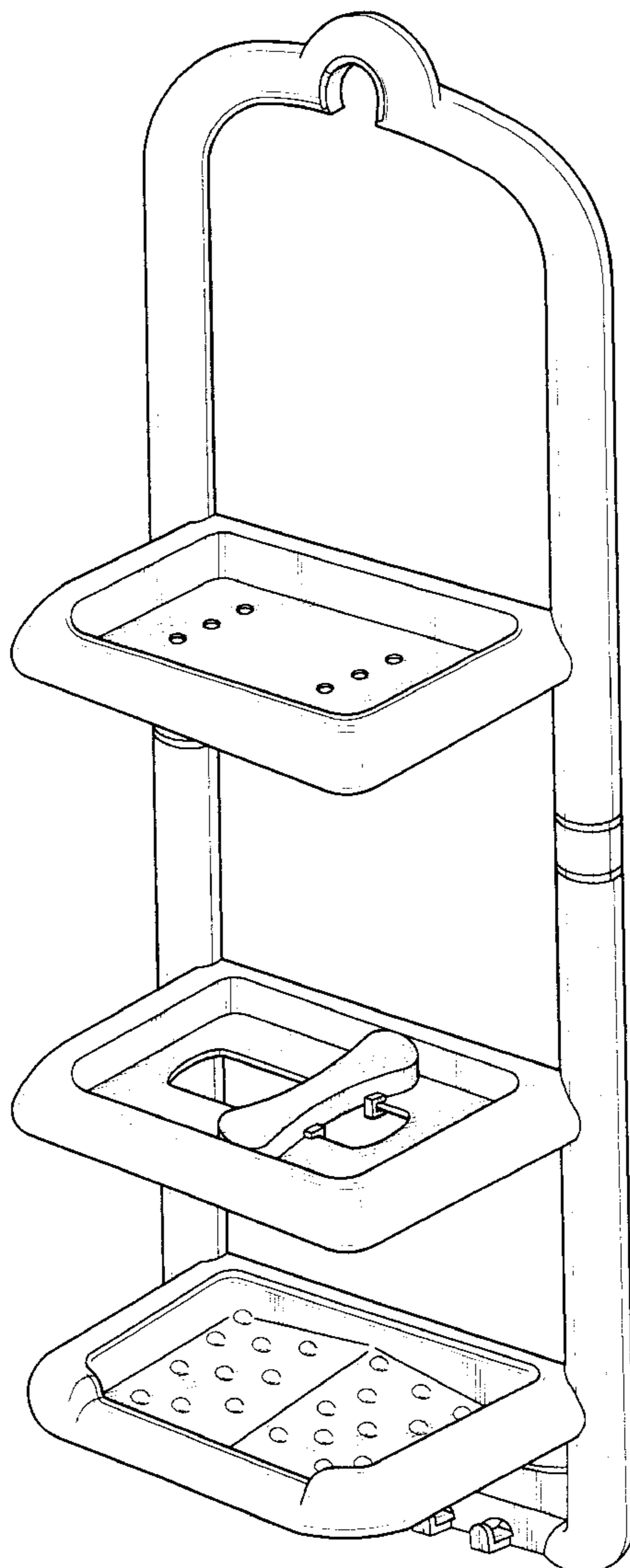
FIG. 1 is a front perspective view of a shower caddy showing my new design;
FIG. 2 is a front elevational view thereof;
FIG. 3 is a rear elevational view thereof;
FIG. 4 is a top plan view thereof;
FIG. 5 is a bottom plan view thereof;
FIG. 6 is a left side view thereof; and,
FIG. 7 is a right side view thereof.

[56] **References Cited**

U.S. PATENT DOCUMENTS

- D. 293,183 12/1987 Aaron D6/525
- D. 298,990 12/1988 Chap D6/525

1 Claim, 3 Drawing Sheets



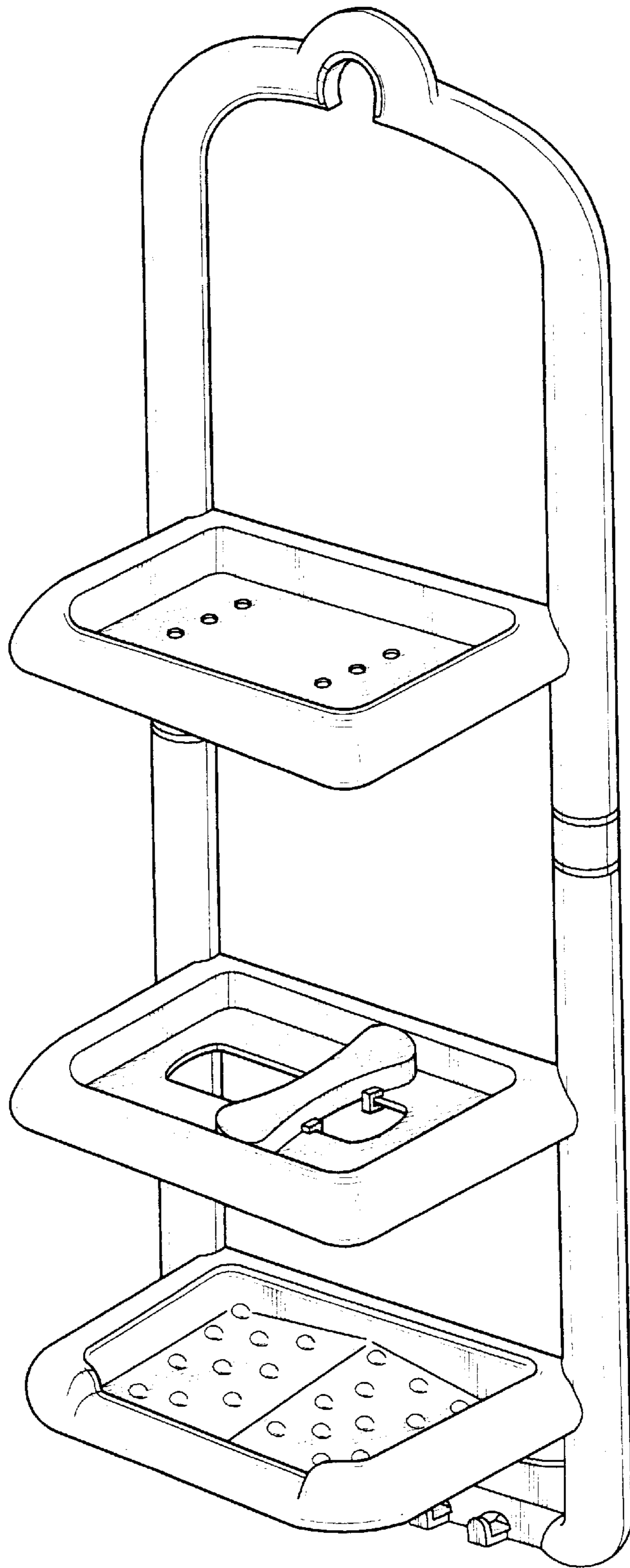


Fig-1

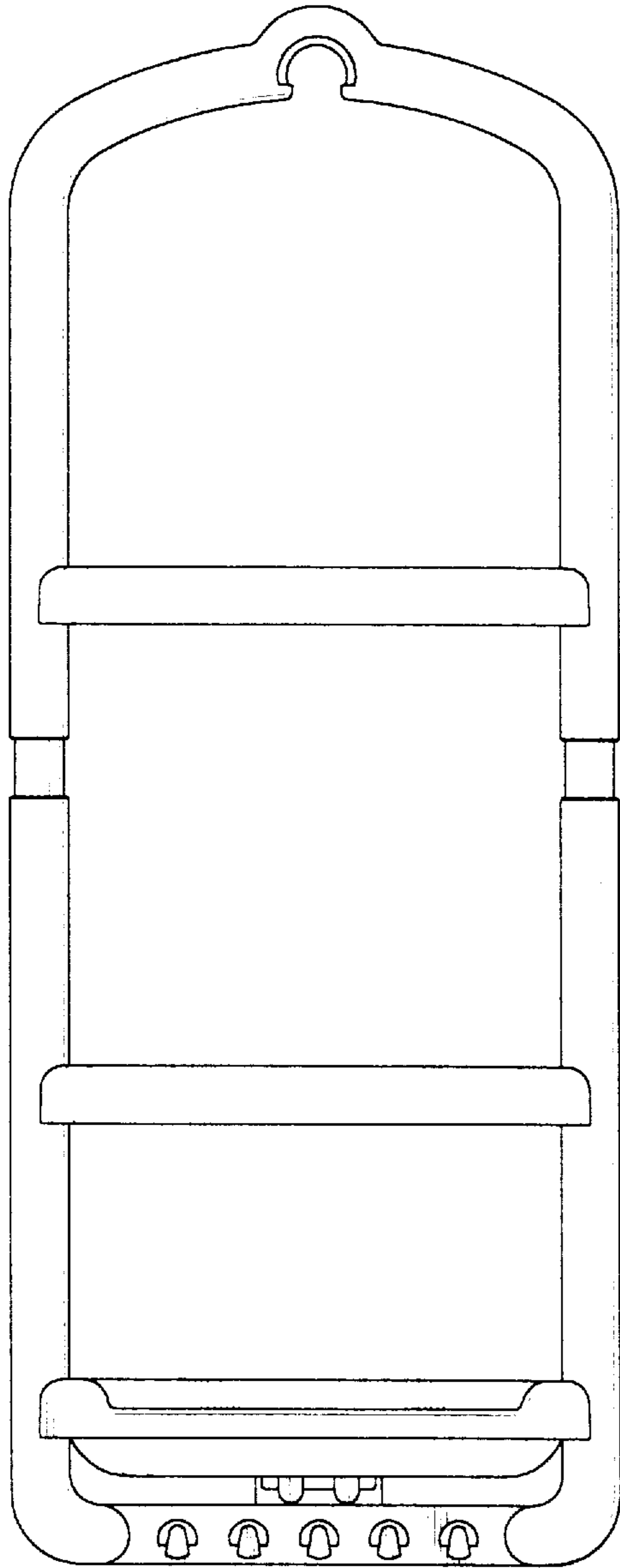


Fig-2

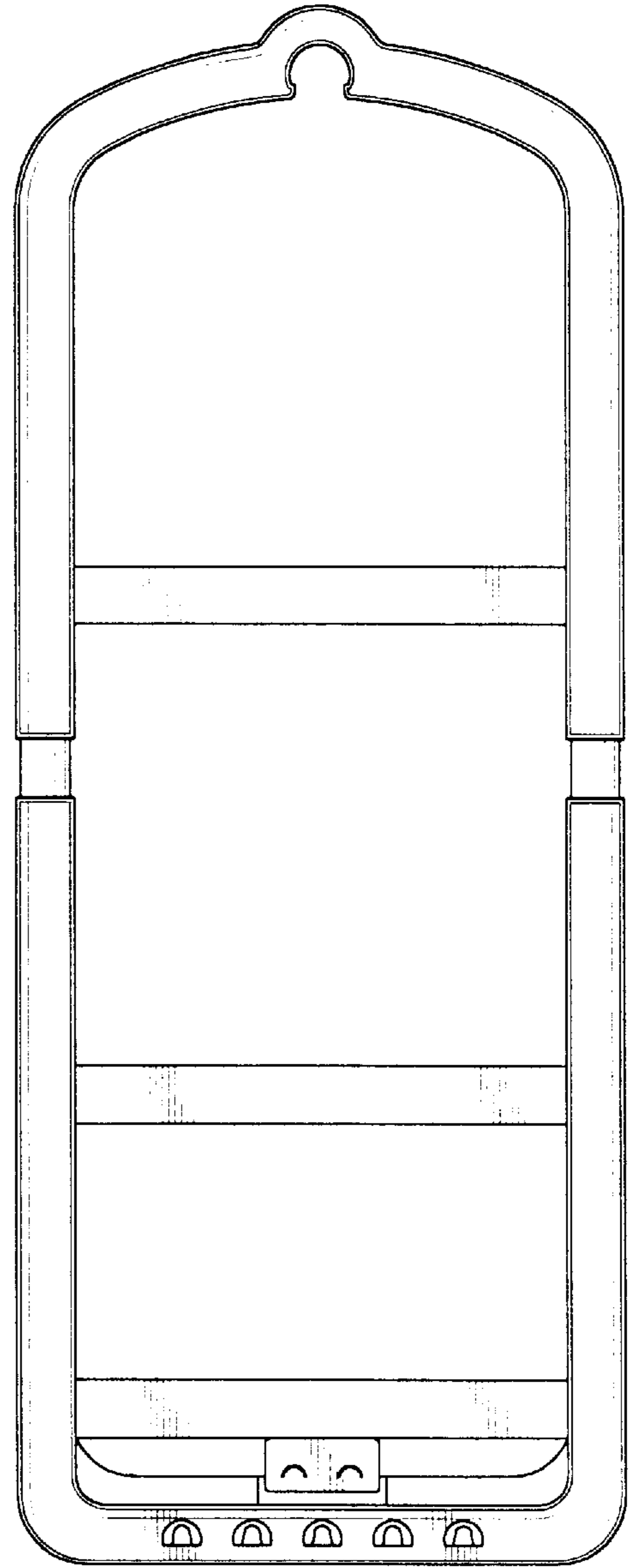


Fig-3

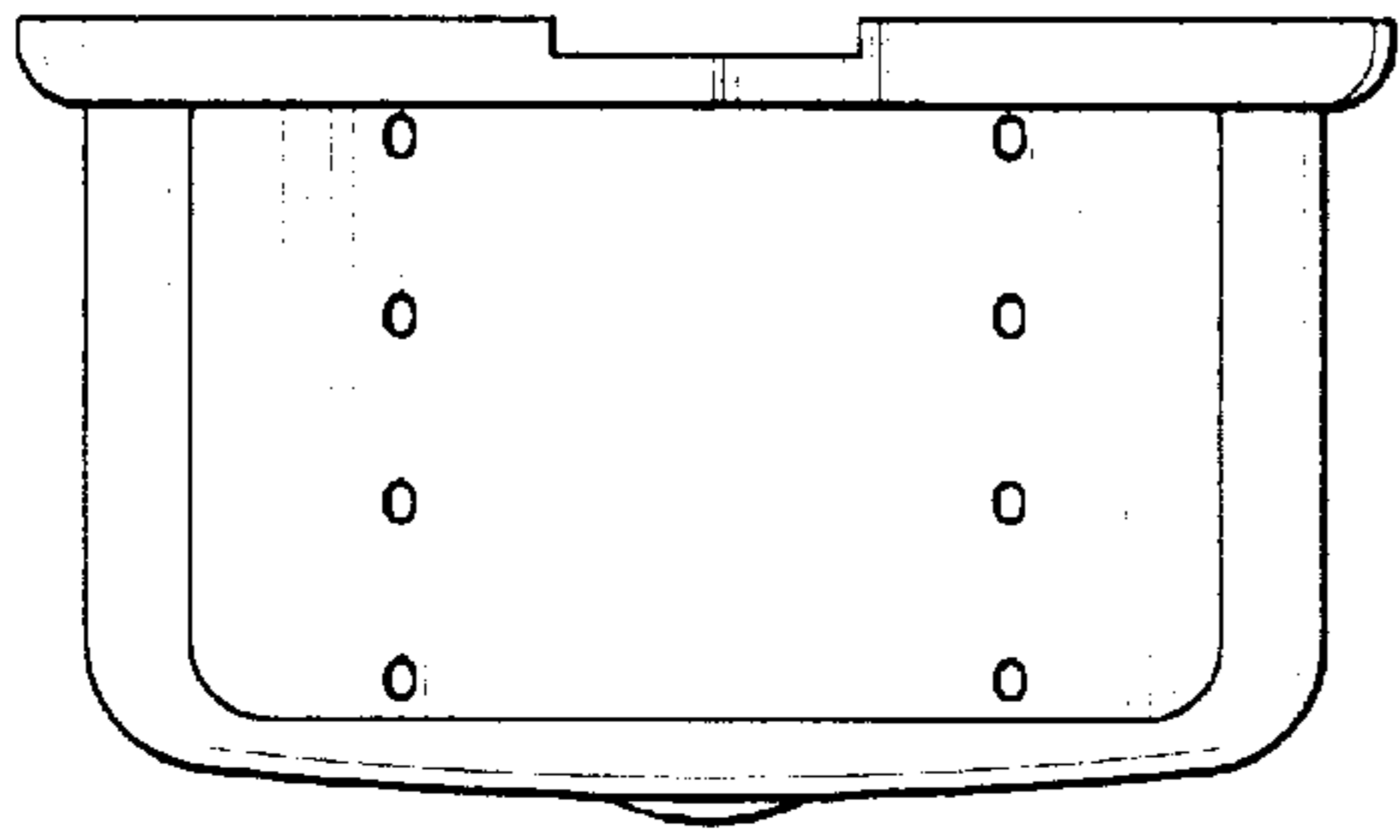


Fig-4

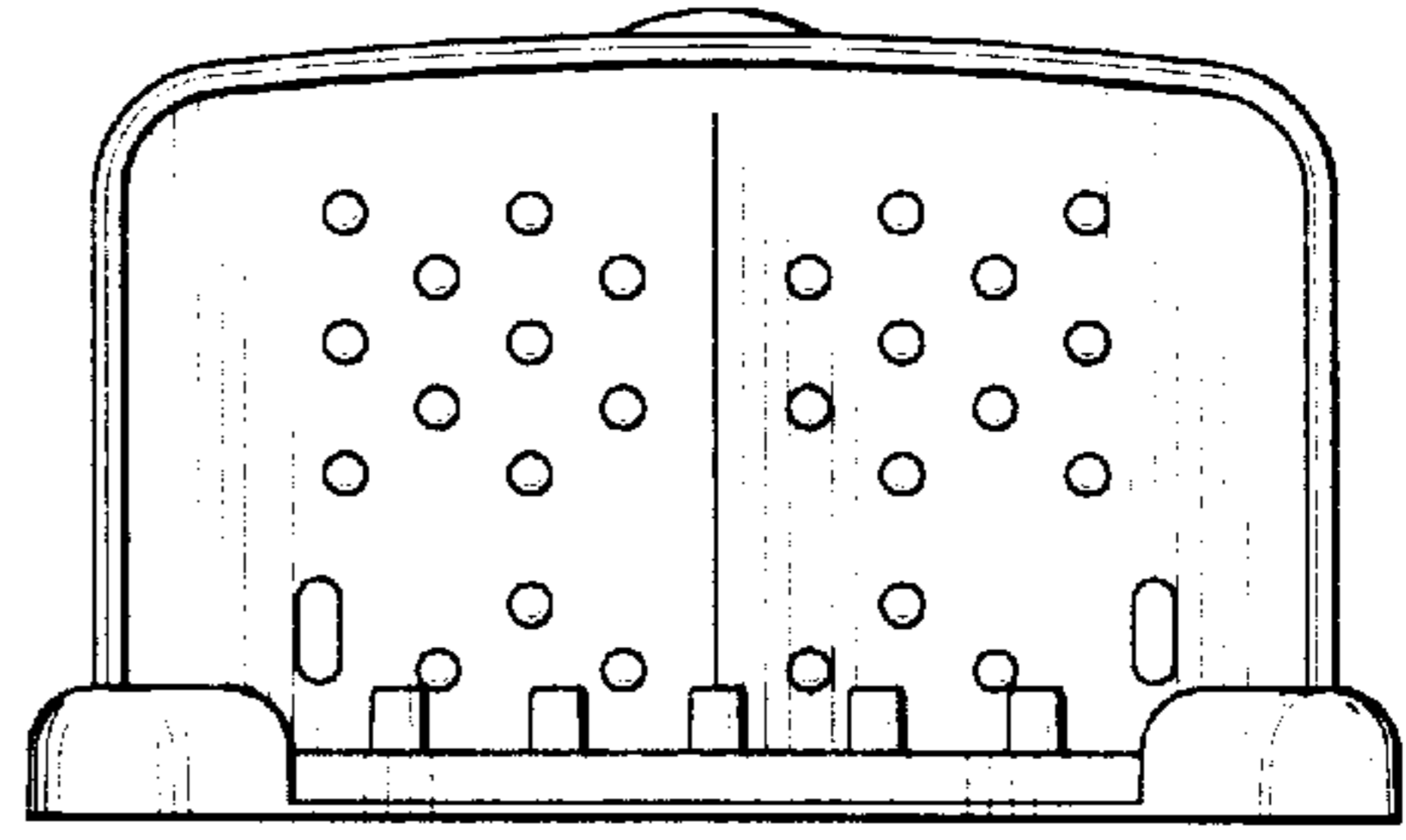


Fig-5

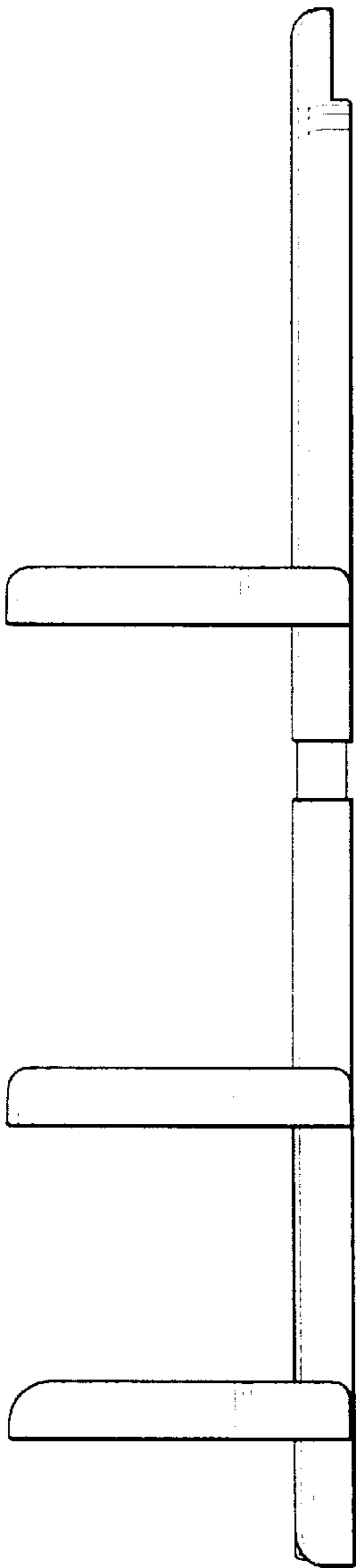


Fig-6

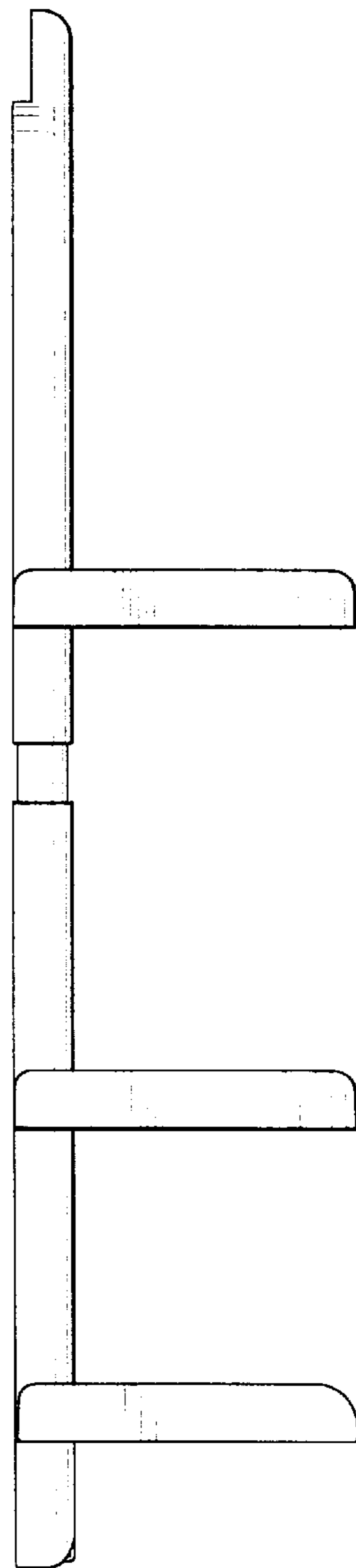


Fig-7