



US00D404946S

United States Patent [19]

Geier et al.

[11] Patent Number: **Des. 404,946**

[45] Date of Patent: ****Feb. 2, 1999**

[54] **CIGARETTE DISPLAY DISPENSER**

[75] Inventors: **James Geier; Jill Salisbury**, both of Chicago, Ill.

[73] Assignee: **555 Design Fabrication Management, Inc.**, Chicago, Ill.

[**] Term: **14 Years**

[21] Appl. No.: **74,466**

[22] Filed: **Jul. 3, 1997**

[51] **LOC (6) Cl.** **06-04**

[52] **U.S. Cl.** **D6/517**

[58] **Field of Search** D6/408, 559, 553, D6/561, 512, 567, 432, 555; 221/66, 92, 282; 312/7.2, 7.1, 21, 213, 242, 245, 223.1, 209, 224, 226, 227; 222/129; 211/87.01, 90.01, 59.2, 74, 181, 182, 44

[56] References Cited

U.S. PATENT DOCUMENTS

- D. 277,148 1/1985 Palka D6/560
- D. 281,213 11/1985 James et al. D6/515 X

- D. 329,343 9/1992 Oldorf D6/515
- 332,238 12/1885 Denton 211/134 X
- D. 333,219 2/1993 Farber D6/408 X
- 3,008,785 11/1961 Gehrs 312/209

Primary Examiner—Pamela Burgess
Attorney, Agent, or Firm—Edward J. Chalfie

[57] CLAIM

The ornamental design for a cigarette display dispenser, as shown and described.

DESCRIPTION

FIG. 1 is a front perspective view of a cigarette display dispenser embodying the present invention, with the dispenser's access panel opened;

FIG. 2 is a front perspective view thereof, with the dispenser's access panel closed;

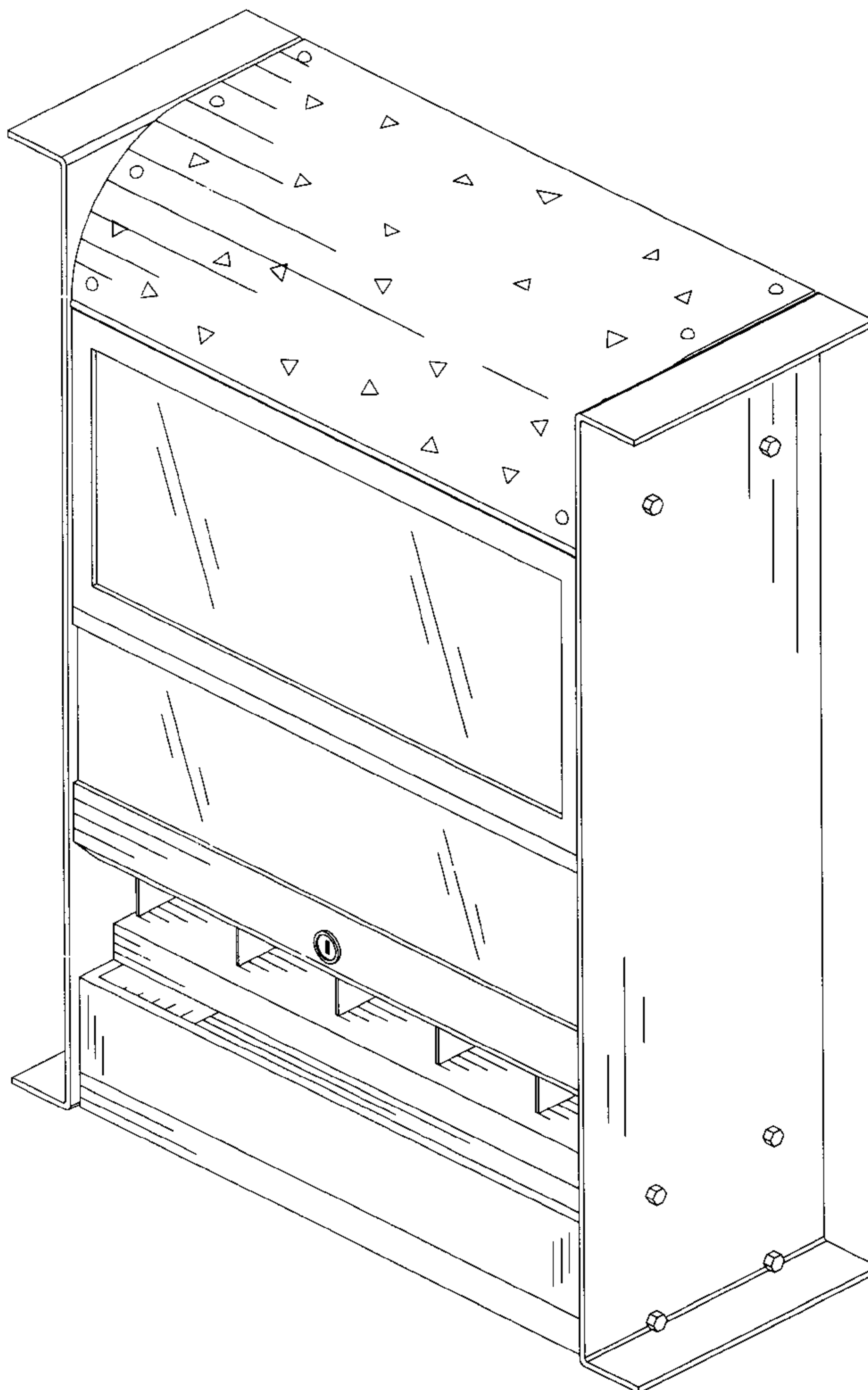
FIG. 3 is a front elevational view thereof;

FIG. 4 is a left side elevational view thereof, the undisclosed right side being a mirror image; and,

FIG. 5 is a top plan view thereof.

The rear and bottom of the cigarette display dispenser form no part of the claimed design.

1 Claim, 5 Drawing Sheets



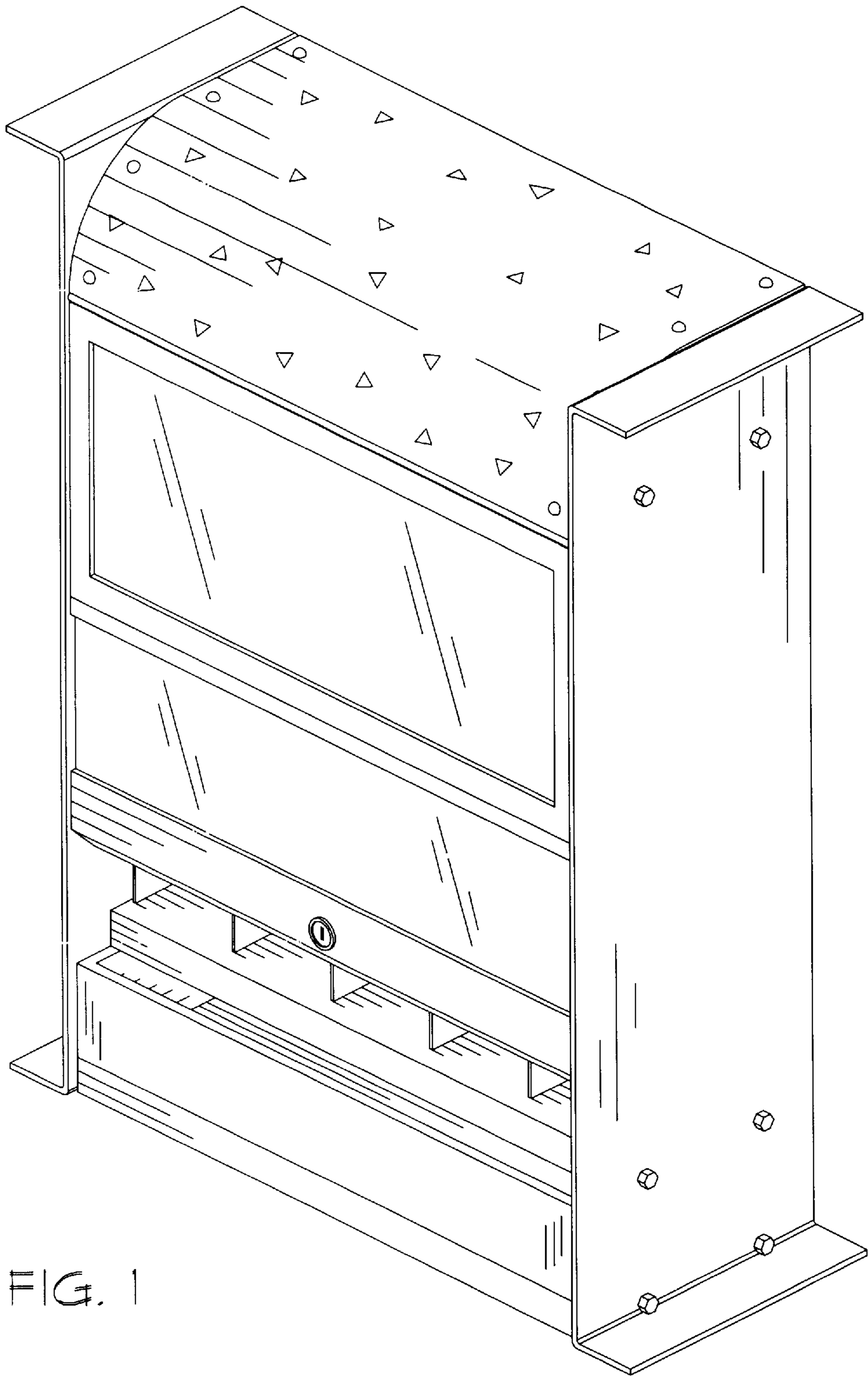


FIG. 1

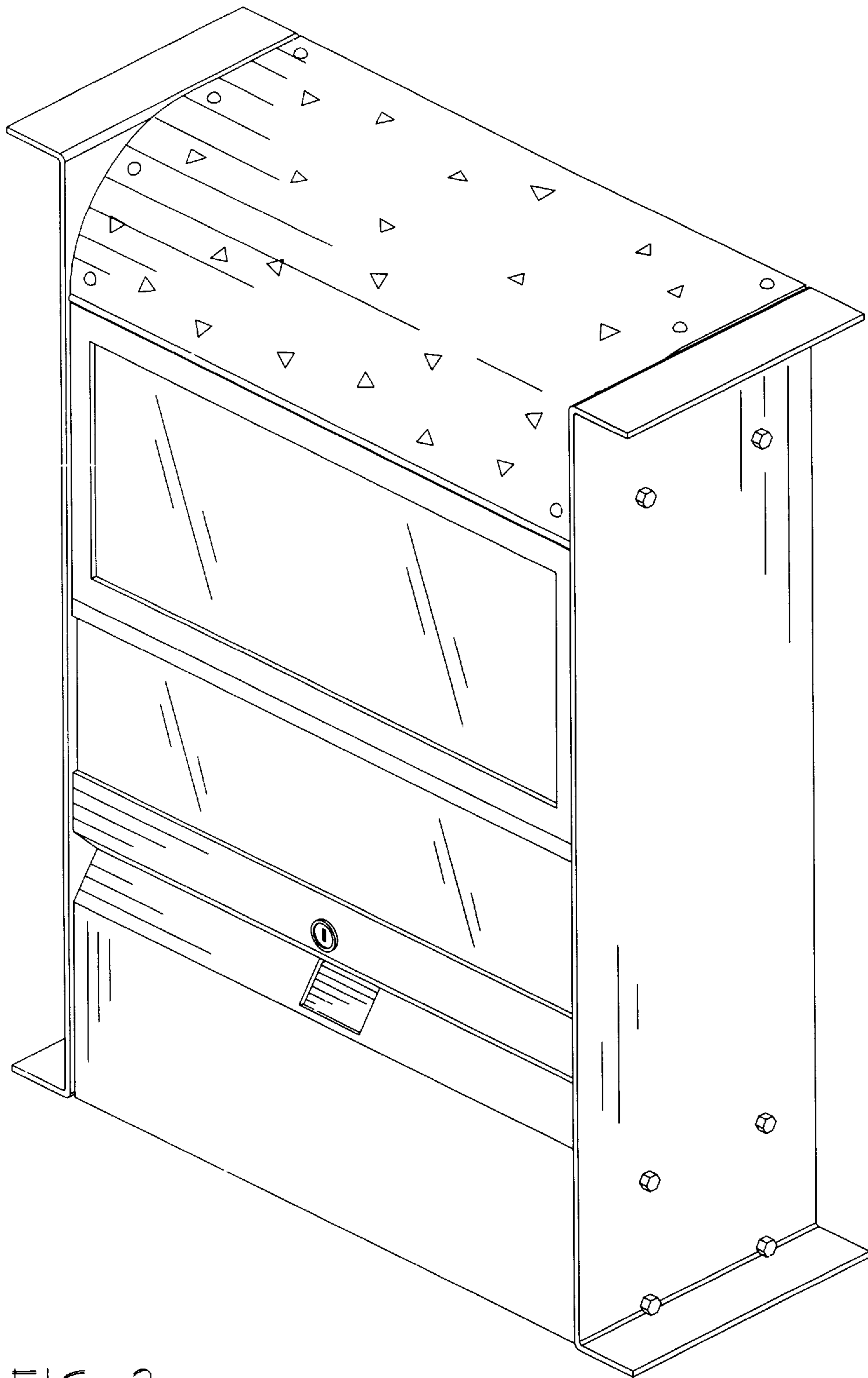


FIG. 2

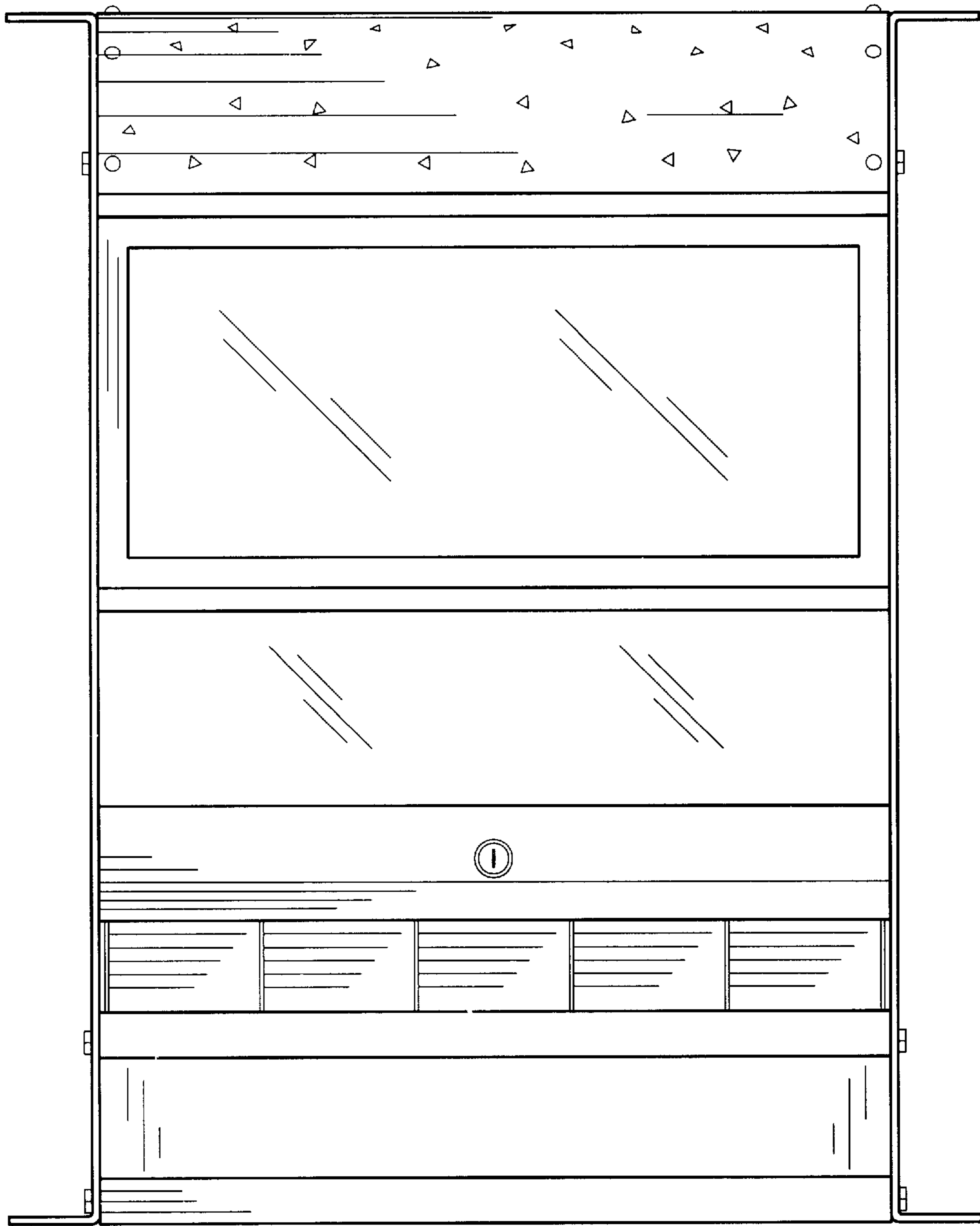


FIG. 3



FIG. 4

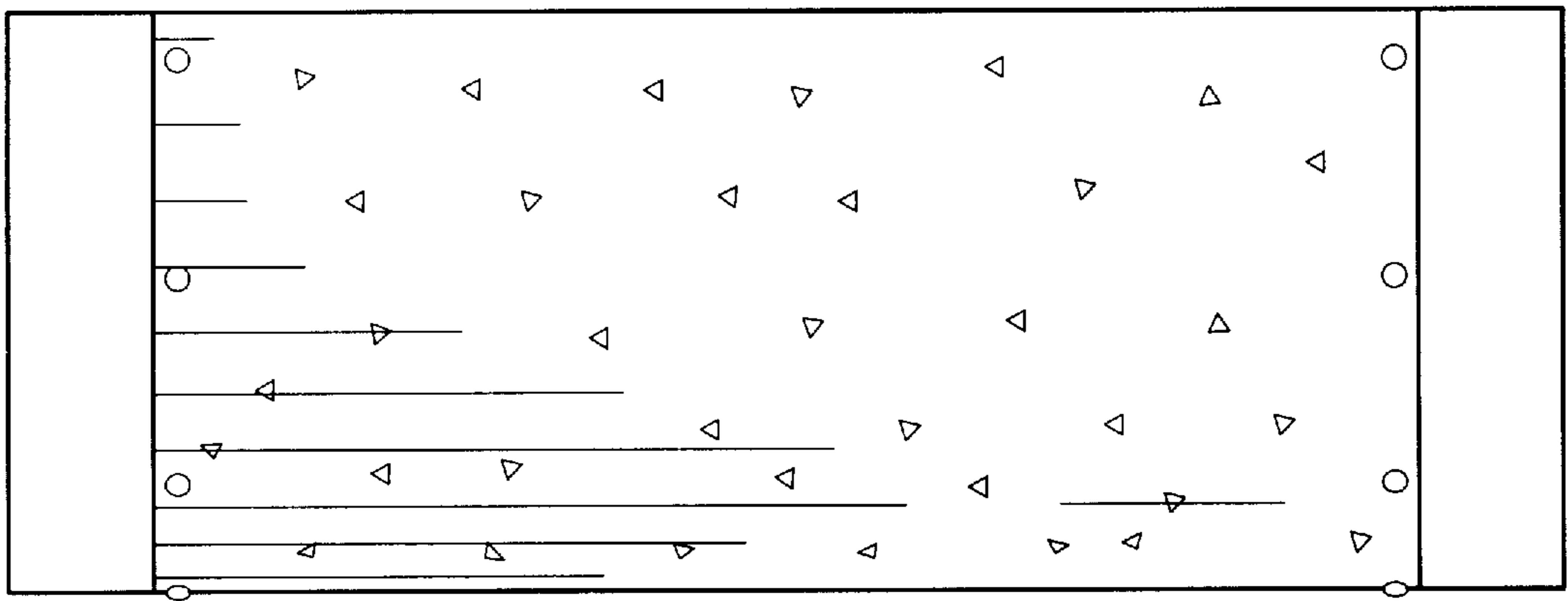


FIG. 5