



US00D404945S

United States Patent [19]
Simpkins et al.

[11] **Patent Number: Des. 404,945**

[45] **Date of Patent: **Feb. 2, 1999**

[54] **DRAWER FRONT FACE**

[75] Inventors: **Terry J. Simpkins**, Carlsbad, Calif.;
John H. Oldiges, St. Marys, Ohio

[73] Assignee: **Midmark Corporation**, Versailles,
Ohio

[**] Term: **14 Years**

[21] Appl. No.: **84,925**

[22] Filed: **Mar. 11, 1998**

[51] **LOC (6) Cl.** **06-04**

[52] **U.S. Cl.** **D6/510**

[58] **Field of Search** D6/509-511, 432,
D6/436-439, 441, 475, 445, 476, 491,
492; 211/27; 220/662-665, 602; 312/330.1,
348.1, 348.4; D3/304, 307, 312, 319

[56] **References Cited**

U.S. PATENT DOCUMENTS

- D. 207,483 4/1967 Dottinger D6/448 X
- D. 263,777 4/1982 Thompson D6/448

- D. 326,381 5/1992 Heilighenthal et al. D6/510
- D. 330,813 11/1992 Spitzer et al. D6/432
- D. 335,409 5/1993 Kellems D6/510
- D. 365,224 12/1995 Pohlman D6/445
- 4,732,430 3/1988 Byrns 312/330.1
- 5,680,957 10/1997 Liu 220/663

Primary Examiner—James Gandy
Assistant Examiner—Linda Brooks
Attorney, Agent, or Firm—Biebel & French

[57] **CLAIM**

The ornamental design for a drawer front face, as shown and described.

DESCRIPTION

FIG. 1 is a top right perspective view illustrating the drawer front face of the present invention; FIG. 2 is a bottom left perspective view thereof; and, FIG. 3 is an enlarged front elevational view thereof. The broken line showing of a drawer in FIGS. 1 and 2 is for illustrative purposes only and forms no part of the claimed design.

1 Claim, 2 Drawing Sheets

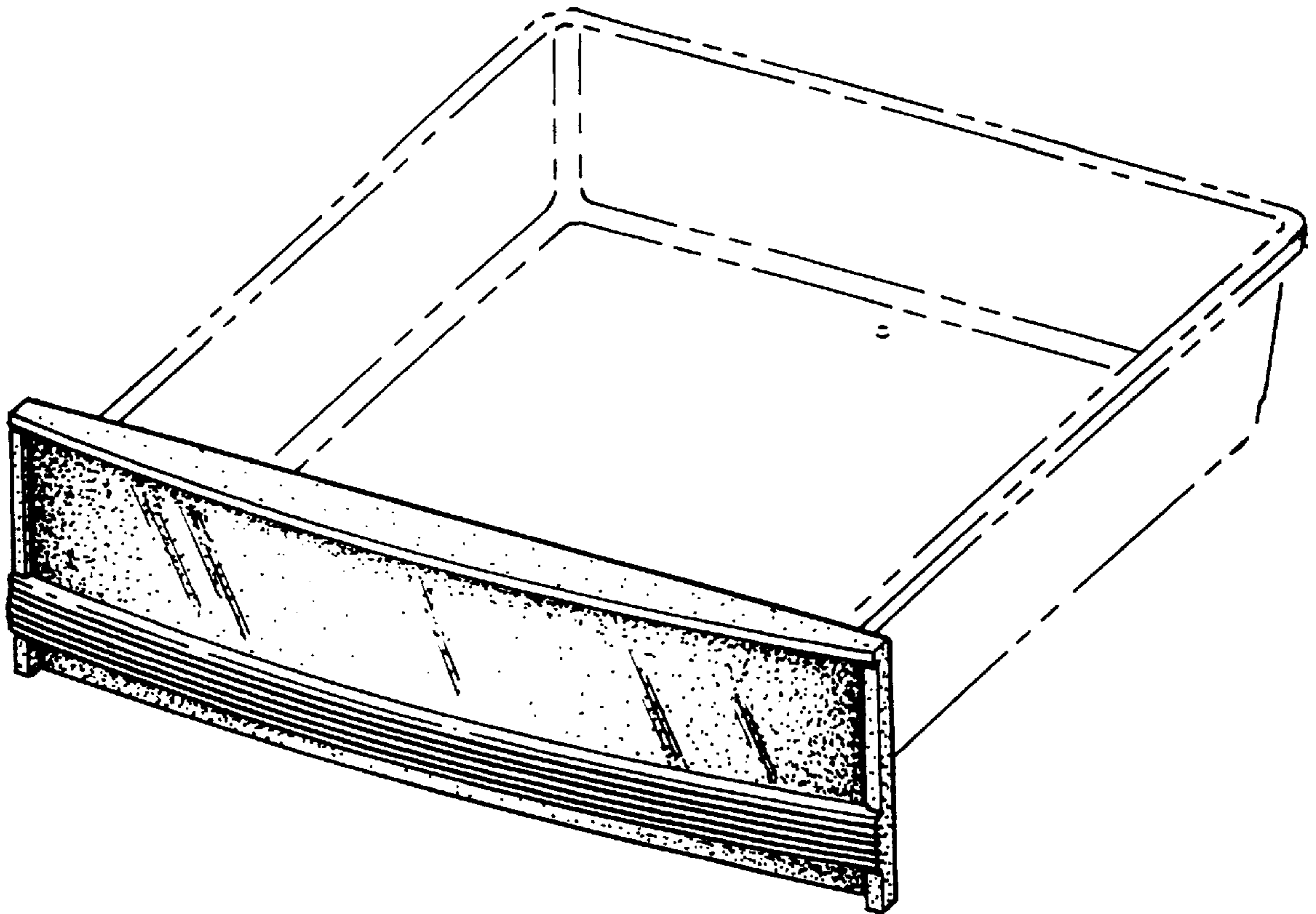


FIG - 1

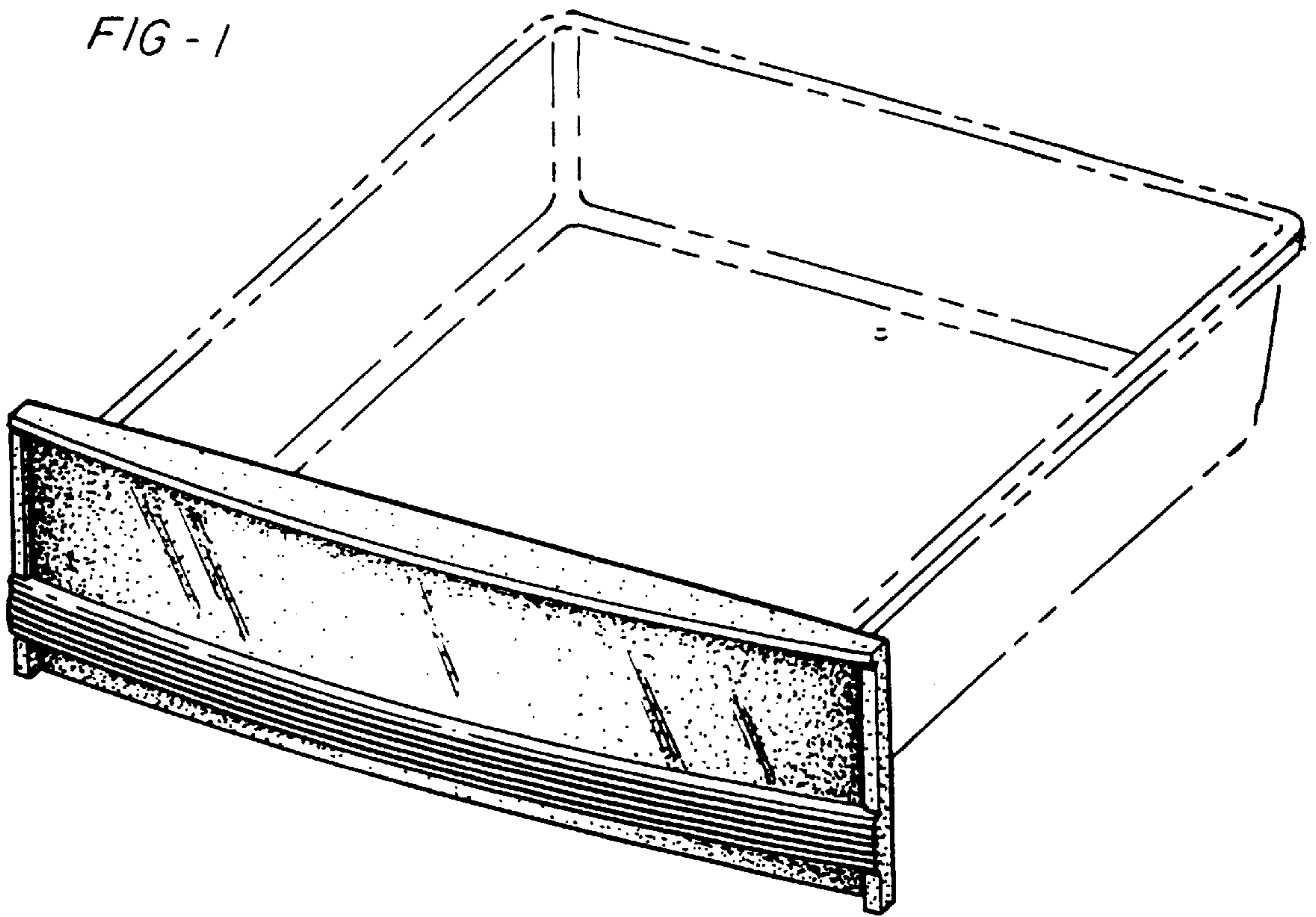


FIG - 2

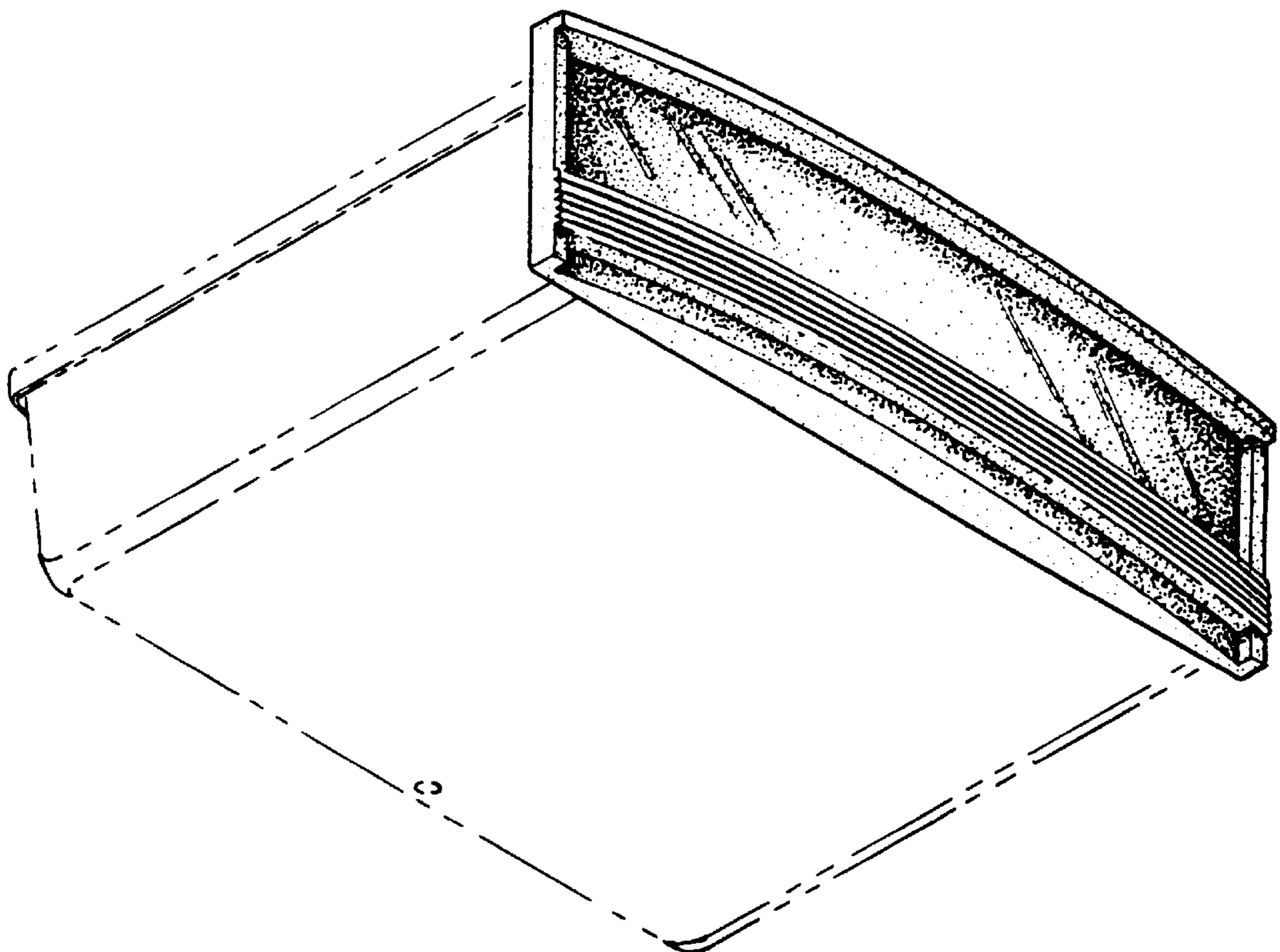


FIG-3

