



US00D404943S

# United States Patent [19]

Laib et al.

[11] Patent Number: **Des. 404,943**

[45] Date of Patent: **\*\*Feb. 2, 1999**

[54] **SIDE WALL MODULE FOR A DRAWER**

[75] Inventors: **Douglas M. Laib**, Orlando; **Peter M. Card**, Plant City, both of Fla.

[73] Assignee: **Dart Industries Inc.**, Orlando, Fla.

[\*\*] Term: **14 Years**

[21] Appl. No.: **73,932**

[22] Filed: **Jul. 23, 1997**

[51] **LOC (6) Cl.** ..... **06-04**

[52] **U.S. Cl.** ..... **D6/510**

[58] **Field of Search** ..... D6/509-511, 491, D6/492, 432, 477, 479, 571, 574; 206/506, 508, 509; 108/53.3, 56.1, 56.3, 59, 64, 137, 180, 185, 147.11, 147.12, 147.13, 147.14, 147.15; 312/9.48, 317.1, 317.3, 348.1, 348.2, 204, 257.1; 211/139, 153, 186-189, 71.01, 86.01, 126.1

[56] **References Cited**

**U.S. PATENT DOCUMENTS**

D. 304,986	12/1989	Rourke	.....	D6/574
D. 323,766	2/1992	Robbins et al.	.....	D6/574 X
3,834,778	9/1974	Morrison et al.	..	
4,128,284	12/1978	King	.....	312/257.1 X
4,279,455	7/1981	Santo	.....	312/257.1 X

4,303,289	12/1981	Hardy	.....	312/257.1
5,183,163	2/1993	Slaiken	.	
5,348,386	9/1994	Grass	.....	312/348.1
5,458,413	10/1995	Huber et al.	.....	312/348.1
5,588,730	12/1996	Rock et al.	.....	312/348.2
5,618,091	4/1997	Huber et al.	.....	312/348.1
5,713,649	2/1998	Swift	.....	312/257.1

*Primary Examiner*—James Gandy  
*Assistant Examiner*—Linda Brooks  
*Attorney, Agent, or Firm*—John A. Doninger

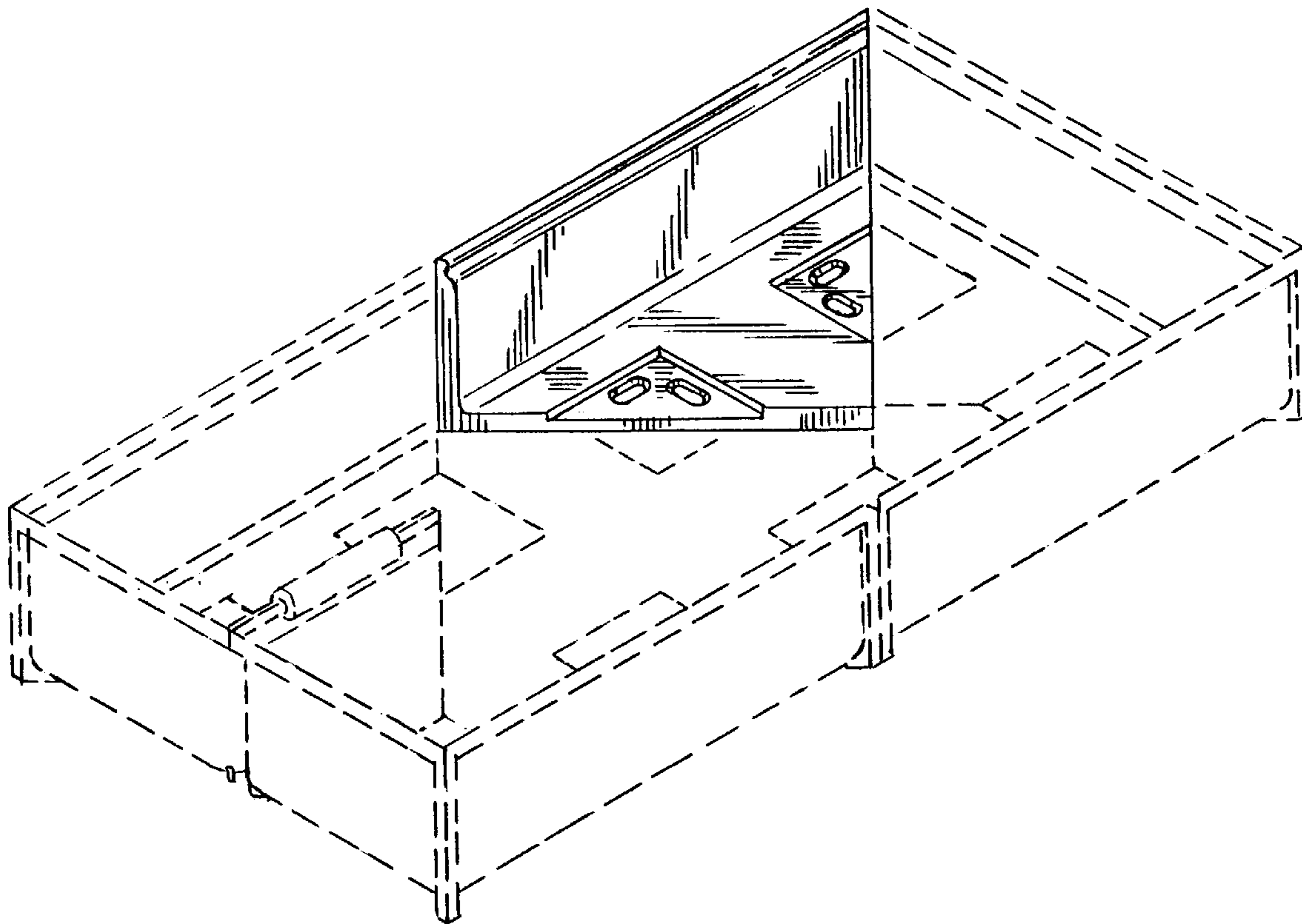
[57] **CLAIM**

The ornamental design for a side wall module for a drawer, as shown and described.

**DESCRIPTION**

FIG. 1 is a top and front perspective view of a side wall module for a drawer showing our new design; FIG. 2 is a top plan view thereof; FIG. 3 is a bottom plan view thereof; FIG. 4 is a front elevation view thereof; FIG. 5 is a rear elevation view thereof; FIG. 6 is a right side view thereof; FIG. 7 is a left side view thereof; and, FIG. 8 is a top perspective view thereof with environmental structure shown in broken lines for purposes of illustration only and forming no part of the claimed design.

**1 Claim, 3 Drawing Sheets**



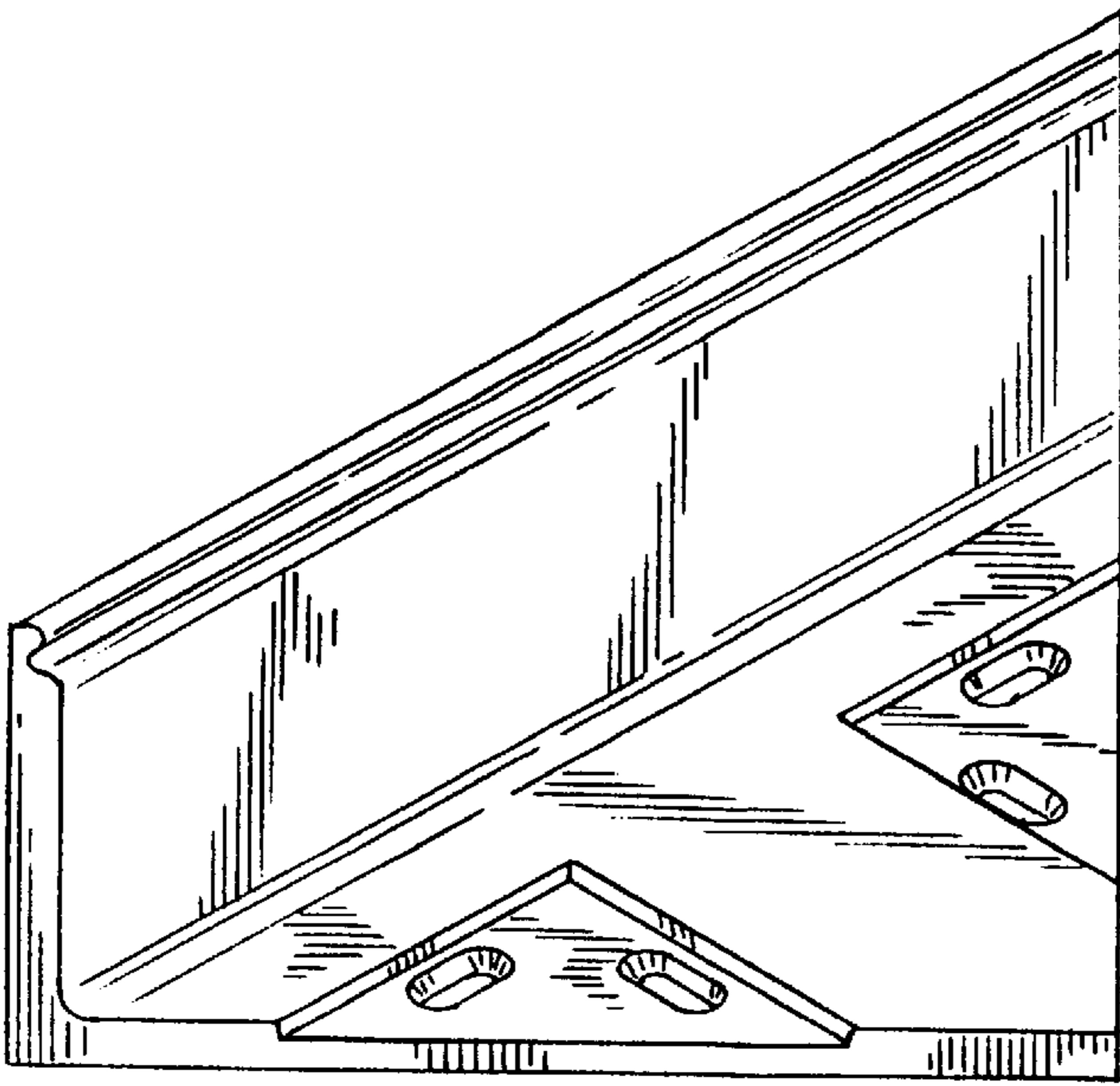


FIG. 1

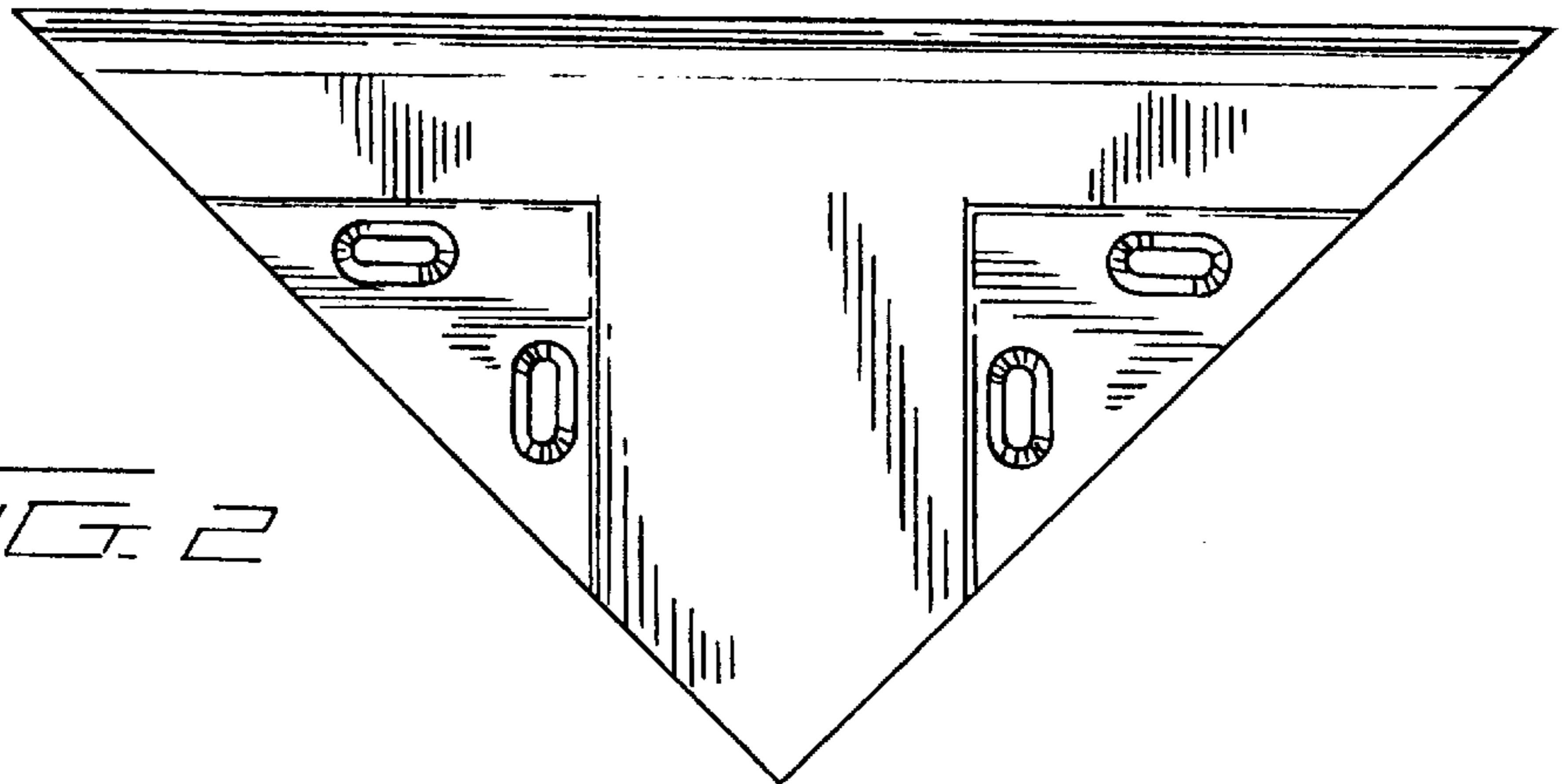


FIG. 2

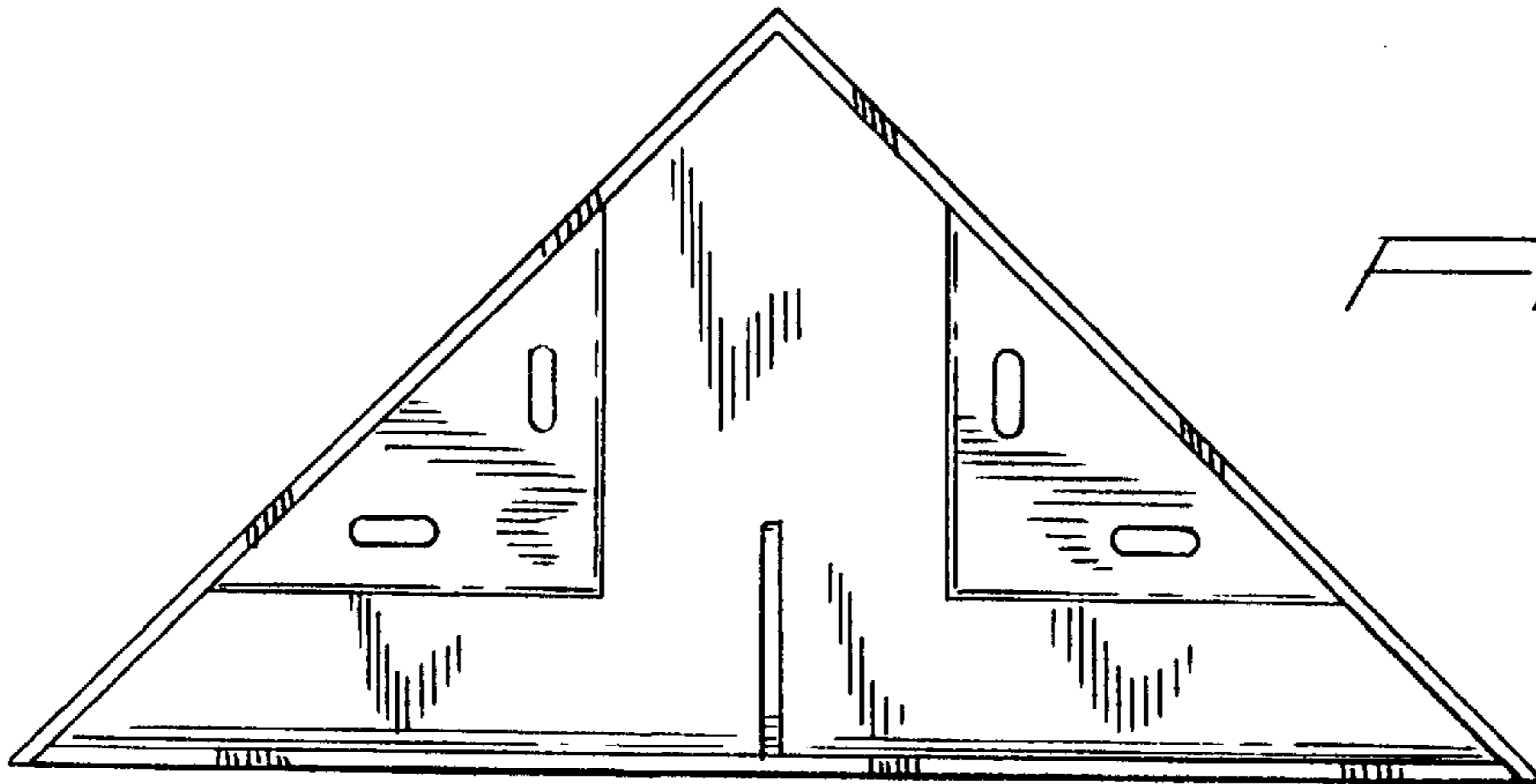


FIG. 3

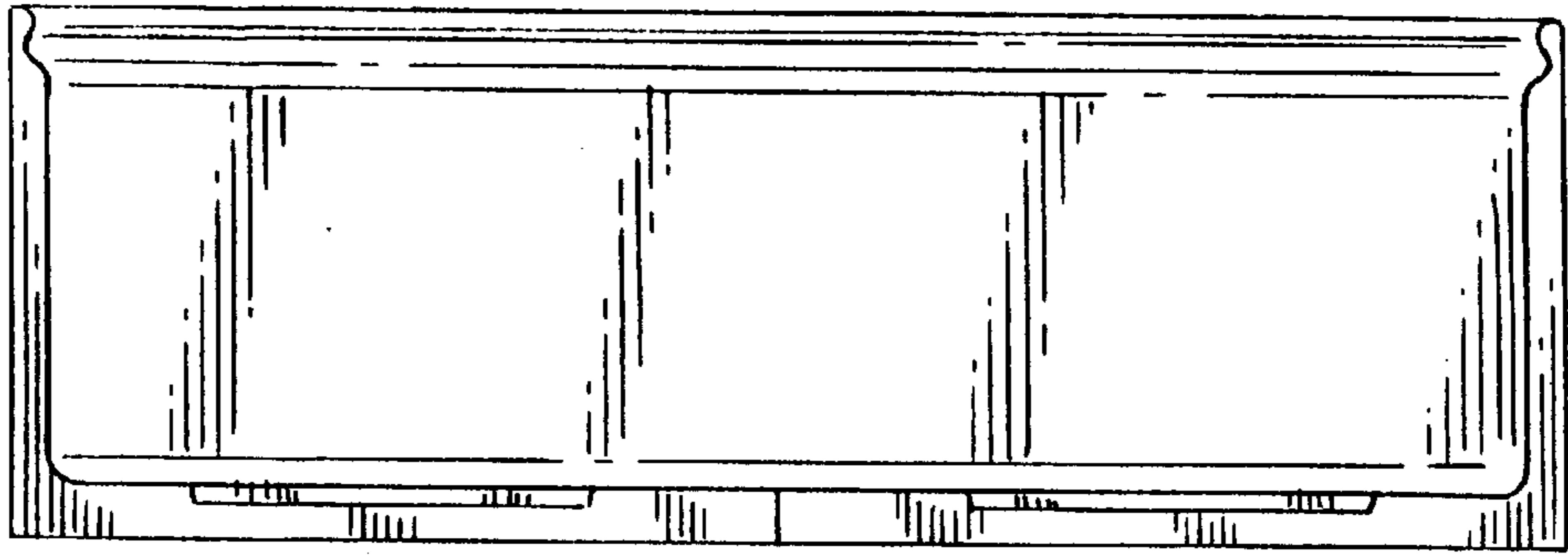


FIG. 4

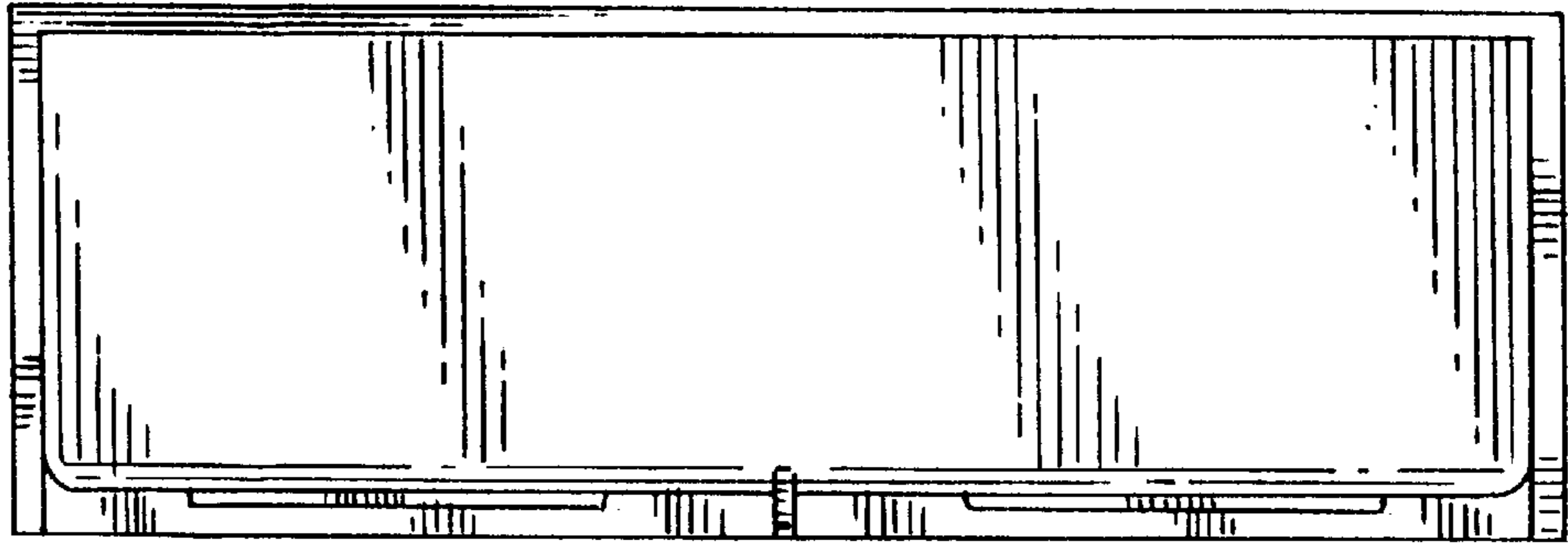


FIG. 5

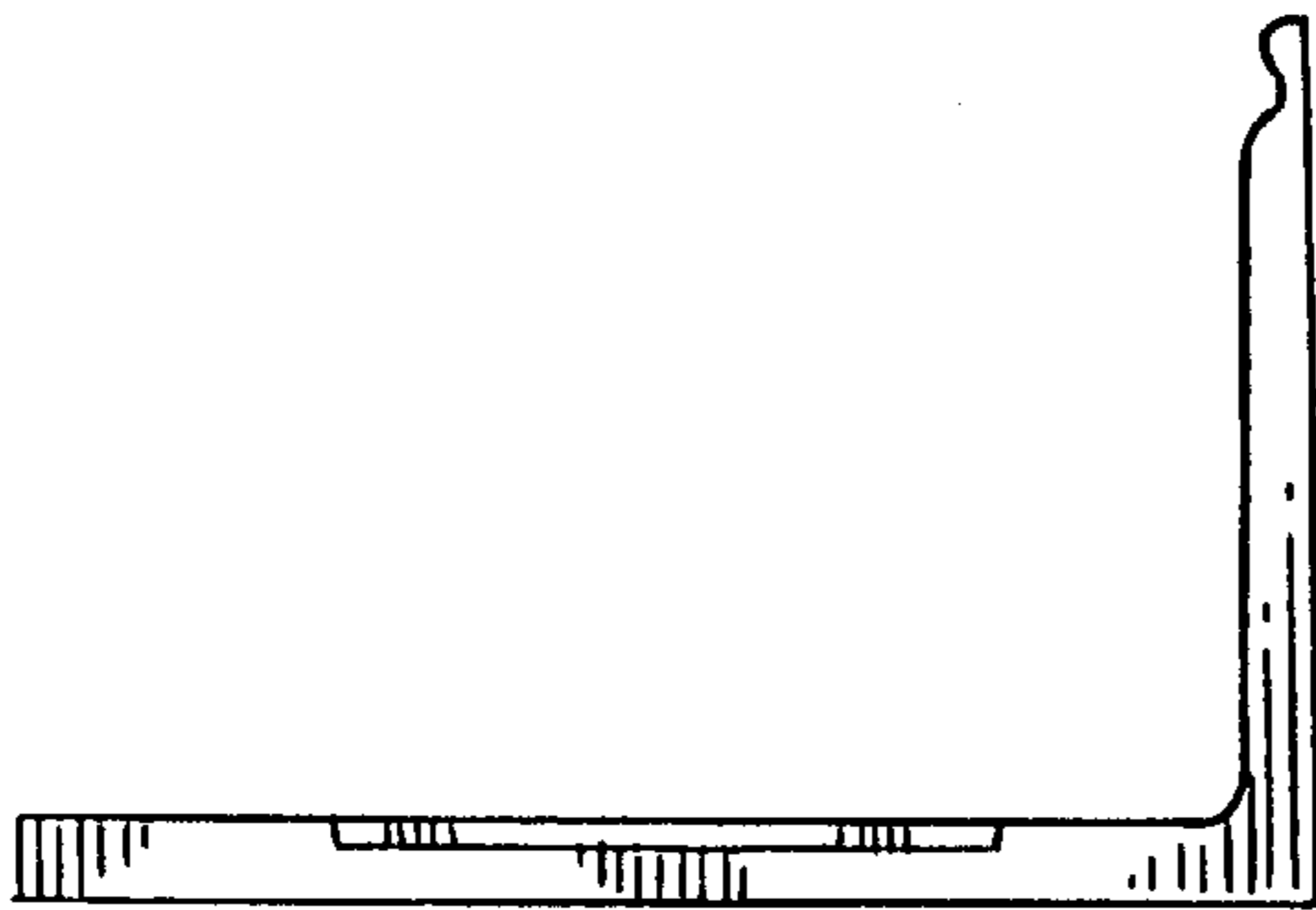


FIG. 6

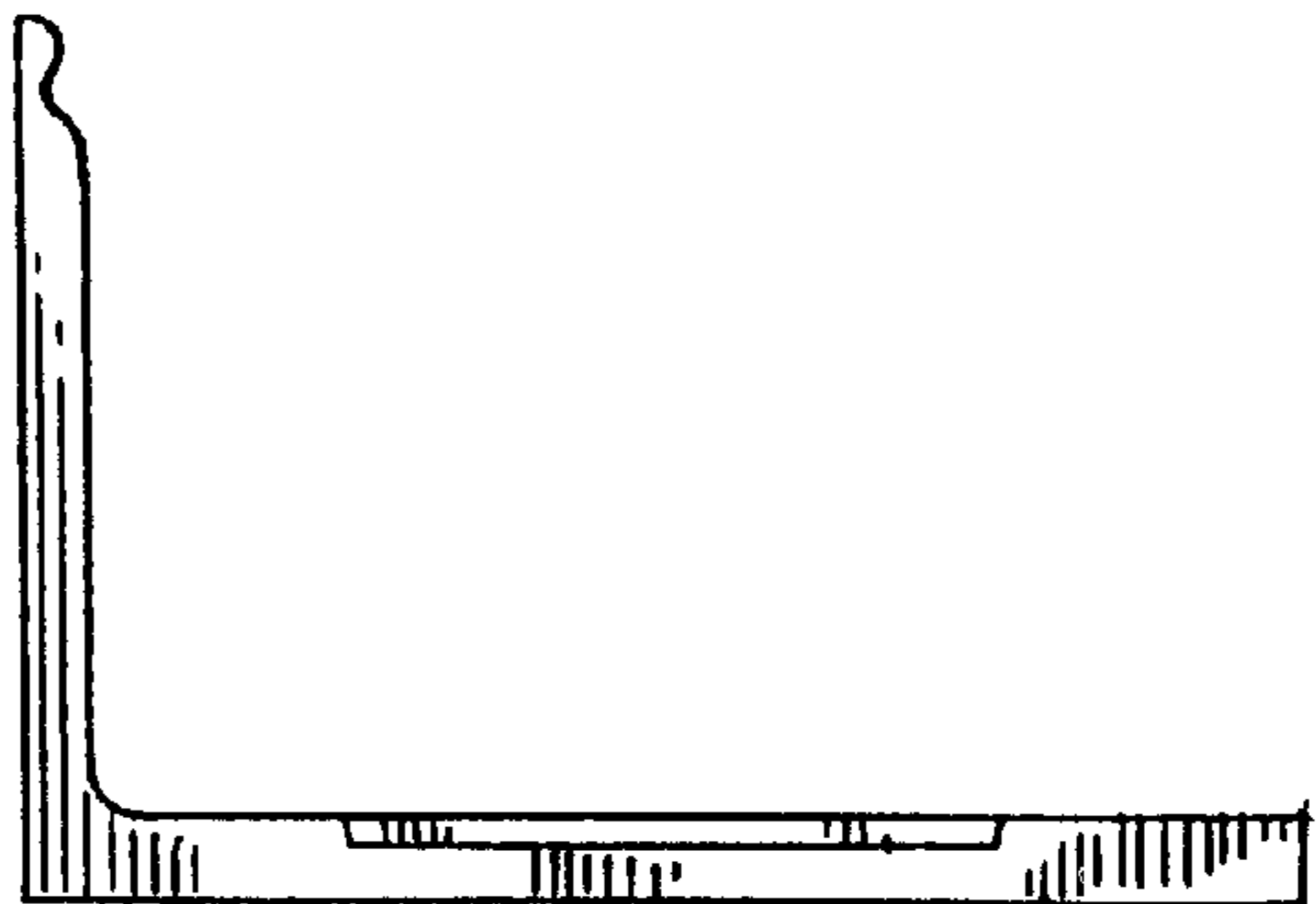


FIG. 7

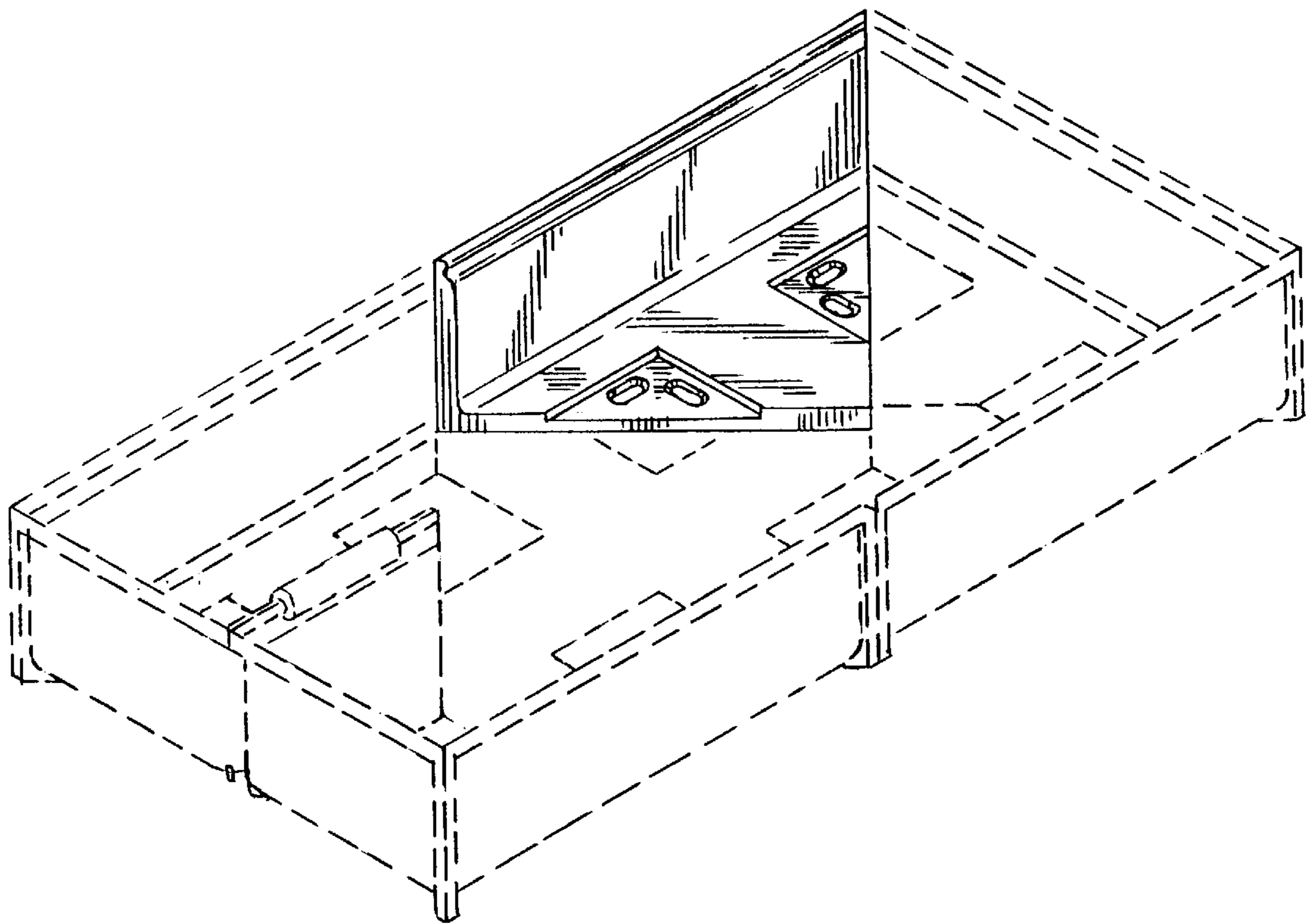


FIG. 8