



US00D404941S

# United States Patent [19]

Wanek et al.

[11] **Patent Number:** **Des. 404,941**

[45] **Date of Patent:** **\*\*Feb. 2, 1999**

[54] **HEADBOARD**

D. 388,984 1/1998 Wanek et al. .... D6/505

[75] Inventors: **Ronald G. Wanek**, Arcadia; **John J. Amell**, La Crosse, both of Wis.

### OTHER PUBLICATIONS

Levitz, Sep. 1996, #F bed at top left.

[73] Assignee: **Ashley Furniture Industries, Inc.**, Arcadia, Wis.

*Primary Examiner*—Janice E. Seeger  
*Attorney, Agent, or Firm*—Alan Kamrath; Peterson, Wicks, Nemer & Kamrath

[\*\*] Term: **14 Years**

### [57] CLAIM

[21] Appl. No.: **65,625**

The ornamental design for headboard, as shown and described.

[22] Filed: **Jan. 31, 1997**

### DESCRIPTION

[51] **LOC (6) Cl.** ..... **06-01**

[52] **U.S. Cl.** ..... **D6/505**

[58] **Field of Search** ..... D6/382, 383, 393-395, D6/505-508; 5/53.1, 279.1, 280, 907

FIG. 1 is a perspective of a headboard embodying our new design;

FIG. 2 is a top plan thereof;

FIG. 3 is a front elevation thereof; and,

FIG. 4 is a side elevation thereof, with the opposite side elevation thereof being a mirror image thereof.

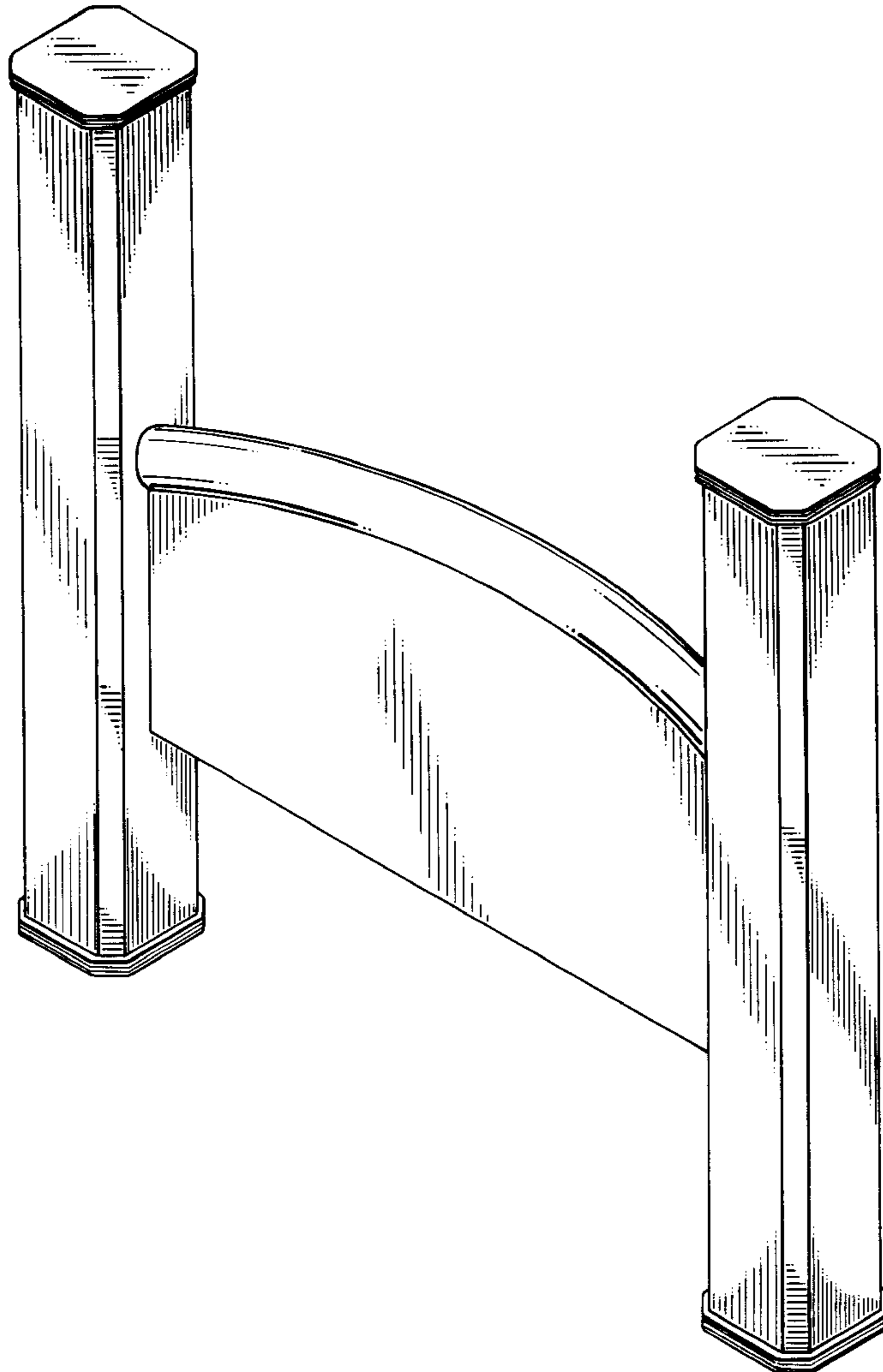
### [56] References Cited

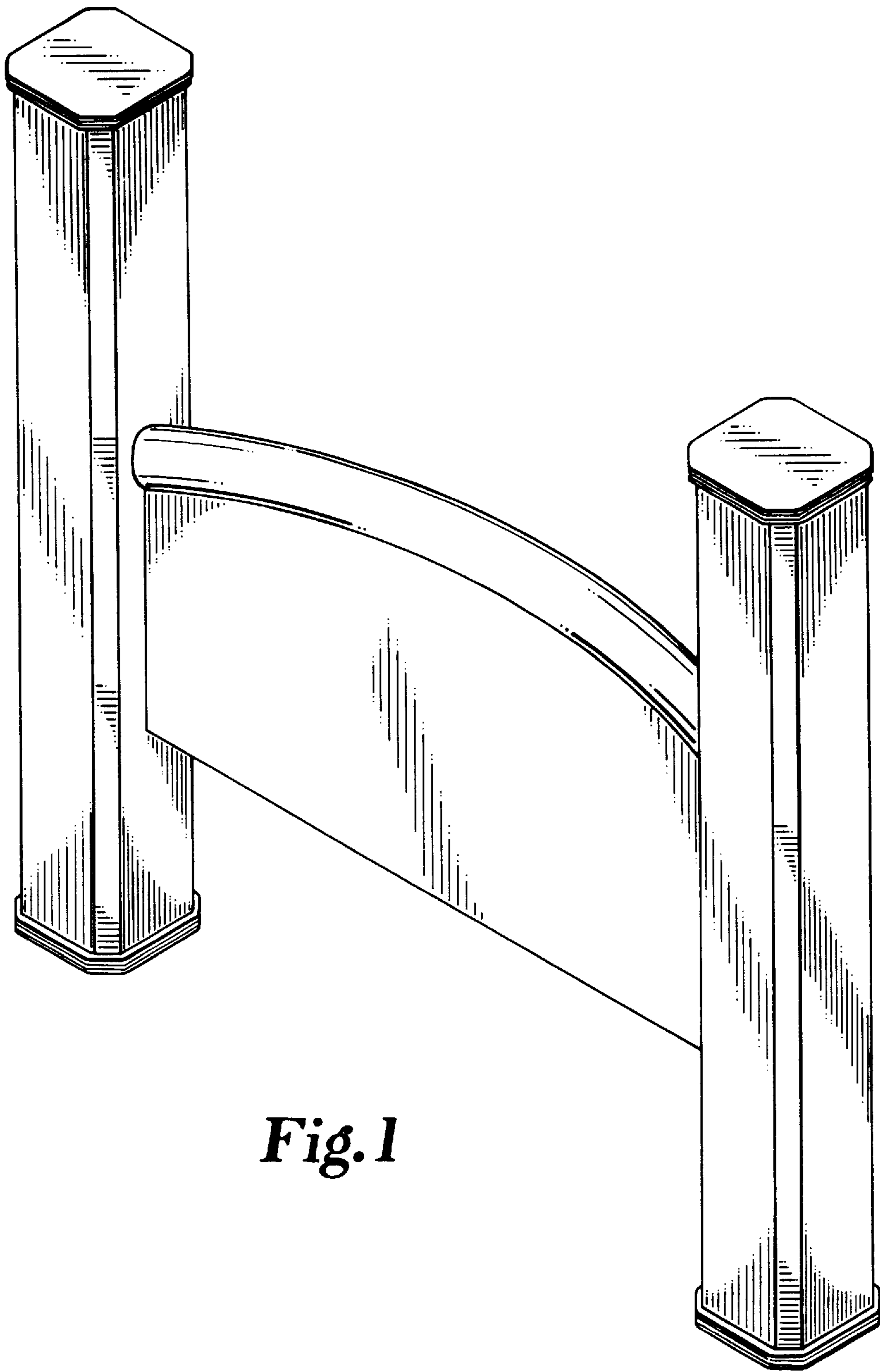
#### U.S. PATENT DOCUMENTS

D. 321,383 11/1991 Monneret ..... D21/123

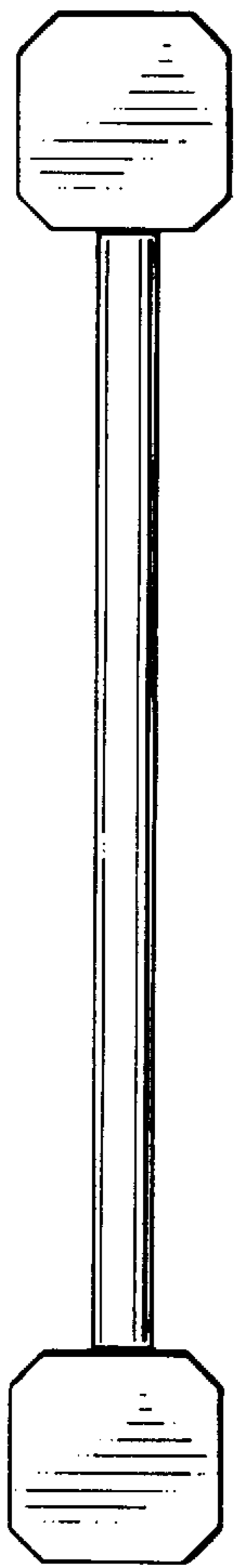
D. 340,147 10/1993 Black ..... D6/393

**1 Claim, 2 Drawing Sheets**

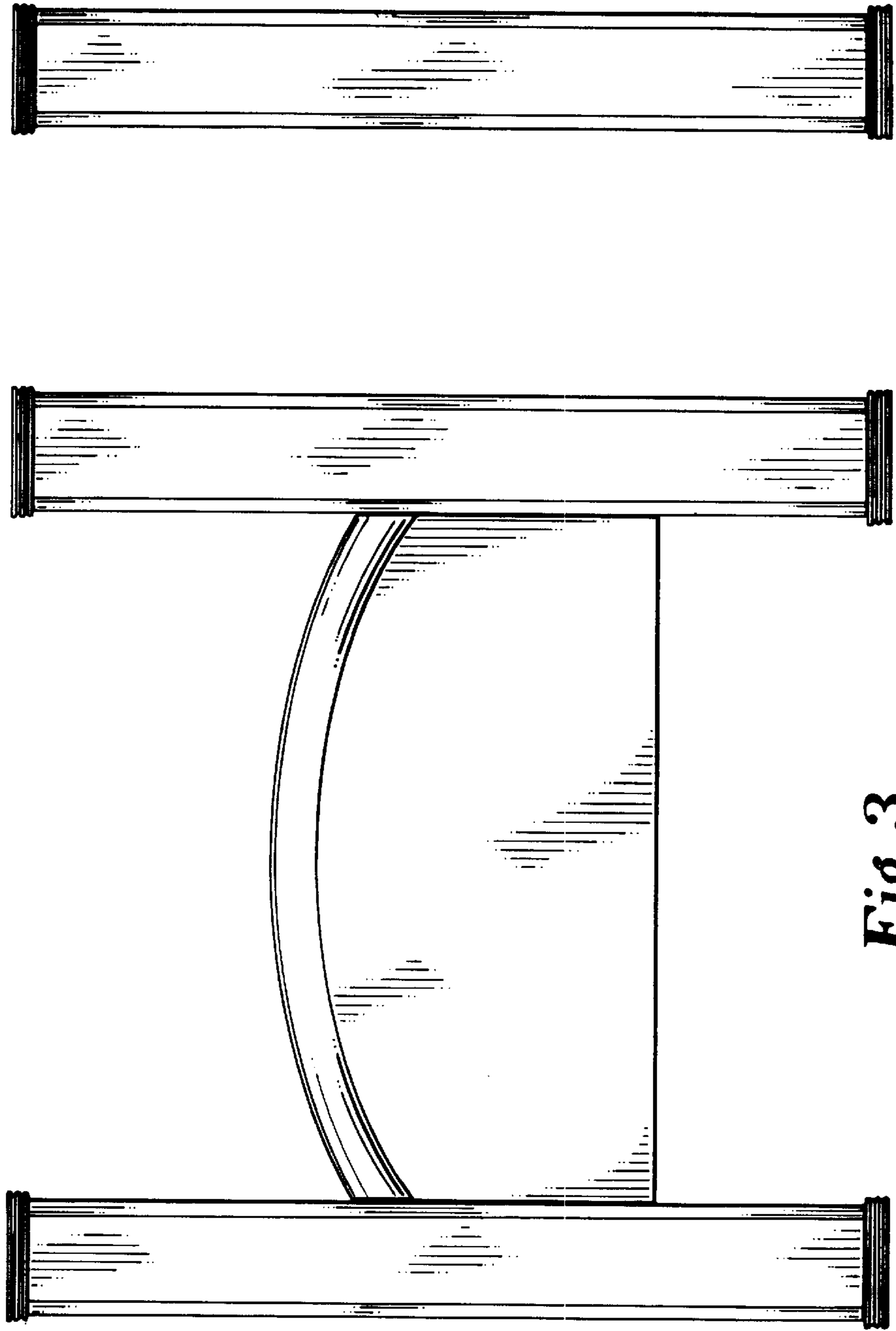




*Fig. 1*



*Fig. 2*



*Fig. 4*

*Fig. 3*