



US00D404940S

**United States Patent** [19]  
**Gallardo**

[11] **Patent Number: Des. 404,940**

[45] **Date of Patent: \*\*Feb. 2, 1999**

[54] **MODULAR FURNITURE FRAME**

[76] Inventor: **Pedro Rivera Gallardo**, Av. Lomas Verdes, 2560 Edq. De Mexico, Mexico

[\*\*] Term: **14 Years**

[21] Appl. No.: **84,704**

[22] Filed: **Mar. 9, 1998**

[51] **LOC (6) Cl.** ..... **06-06**

[52] **U.S. Cl.** ..... **D6/499**

[58] **Field of Search** ..... D6/490-489, 495, D6/498, 499, 462; 108/153.1, 156, 157.1, 161; 248/188.1, 188.8, 175, 188.6

[56] **References Cited**

**U.S. PATENT DOCUMENTS**

D. 99,801	5/1936	Hoffman	.....	D6/487
D. 101,776	11/1936	Hoffman	.....	D6/487
D. 130,990	1/1942	Gerhardt	.....	D6/499
D. 254,890	5/1980	Wilson	.....	D6/499

**OTHER PUBLICATIONS**

Howell, #485, Feb. 16, 1938, p. 29, top right.  
Royalchrome, May 4, 1938, p. 34, #8220B, table at top right.  
Chromcraft, #CCA.

*Primary Examiner*—Janice E. Seeger  
*Attorney, Agent, or Firm*—Harrison & Egbert

[57] **CLAIM**

The ornamental design for a modular furniture frame, as shown and described.

**DESCRIPTION**

FIG. 1 is a top front perspective view of a modular furniture frame showing my design;

FIG. 2 is a front view thereof;

FIG. 3 is a side view thereof; the opposite side being a mirror image;

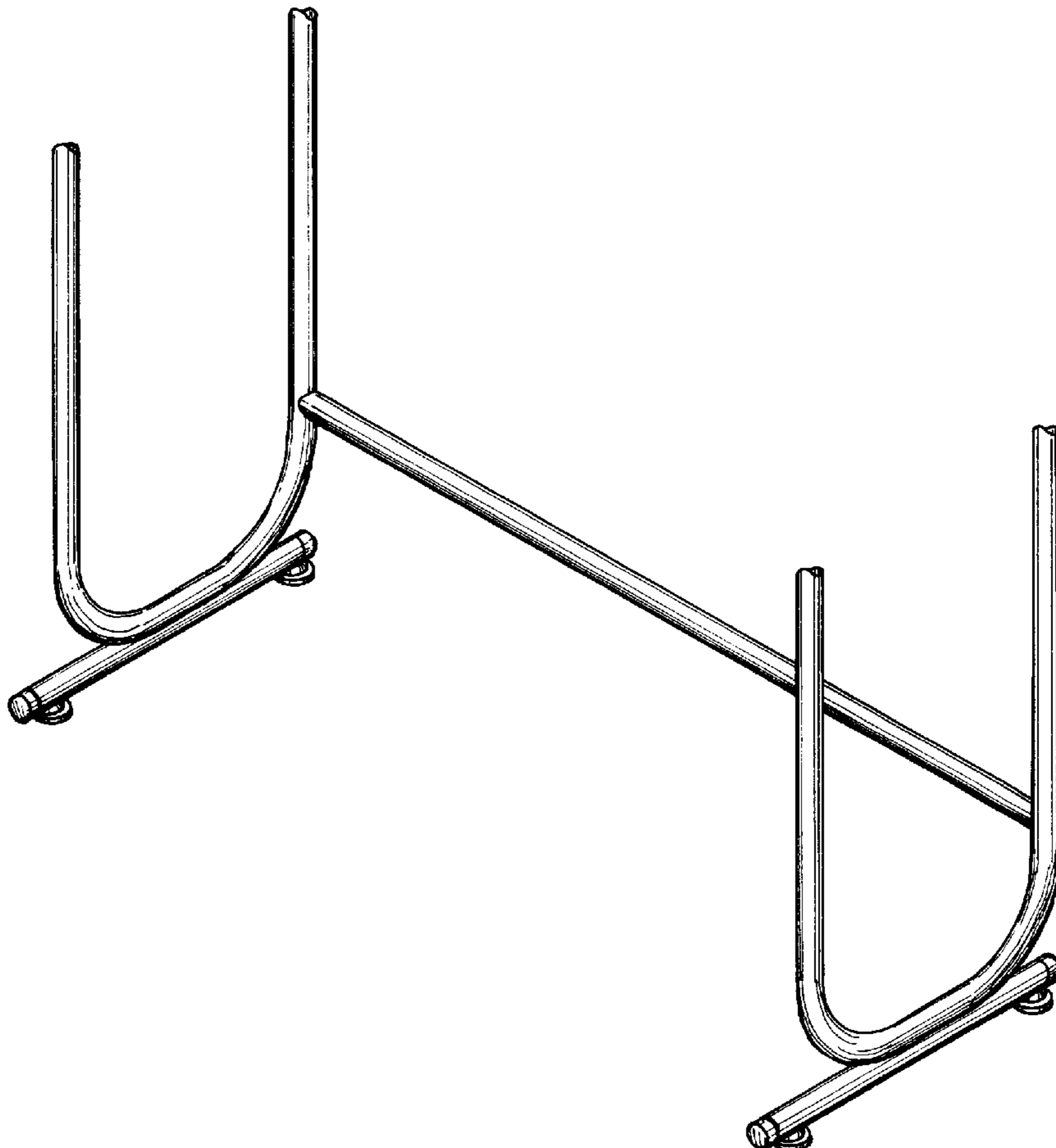
FIG. 4 is a back view thereof;

FIG. 5 is a plan view thereof;

FIG. 6 is a bottom view thereof; and,

FIG. 7 is a perspective view thereof as used as a desk arrangement (shown as environmental structure in broken lines).

**1 Claim, 3 Drawing Sheets**



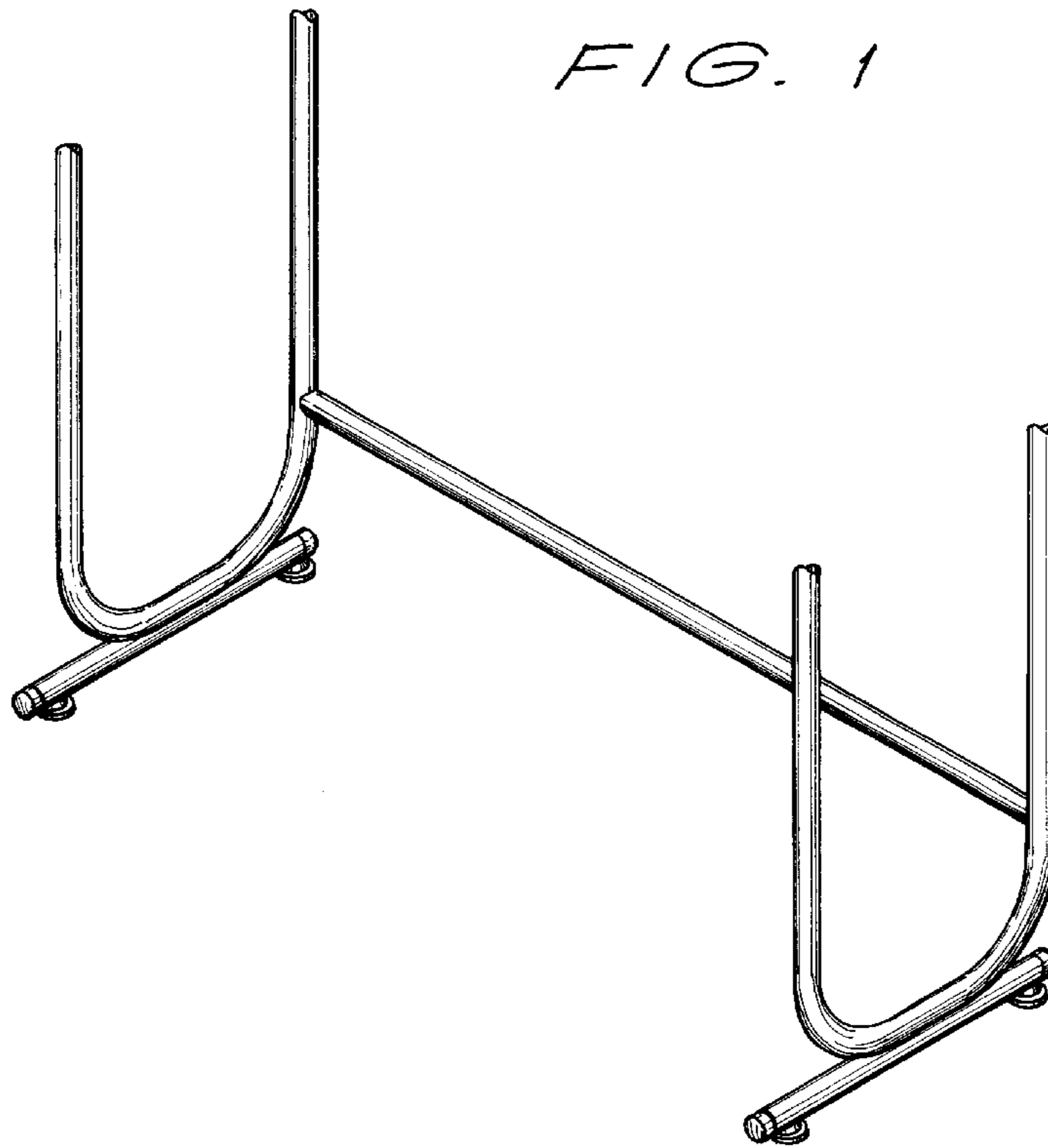


FIG. 1

FIG. 2

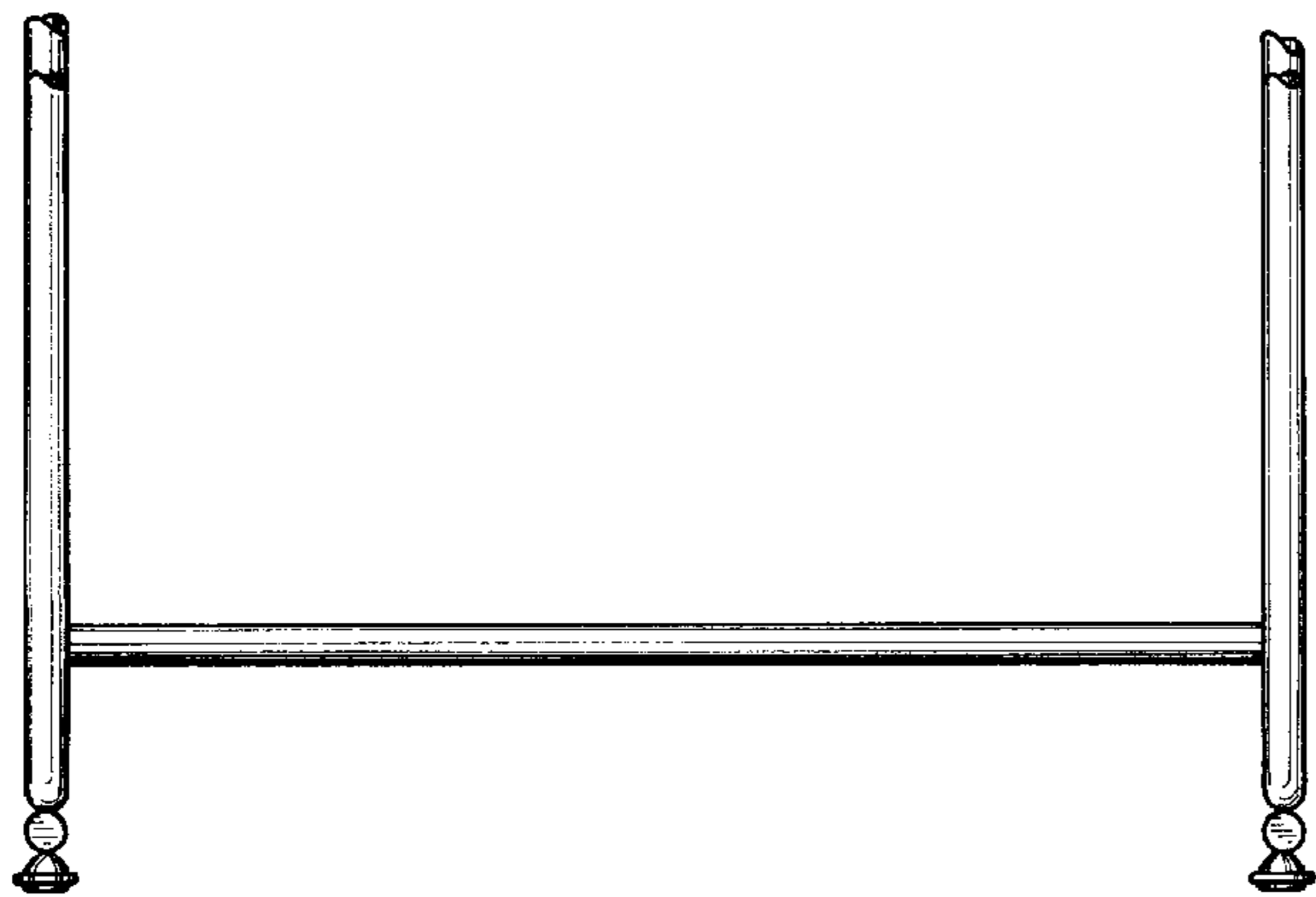


FIG. 3

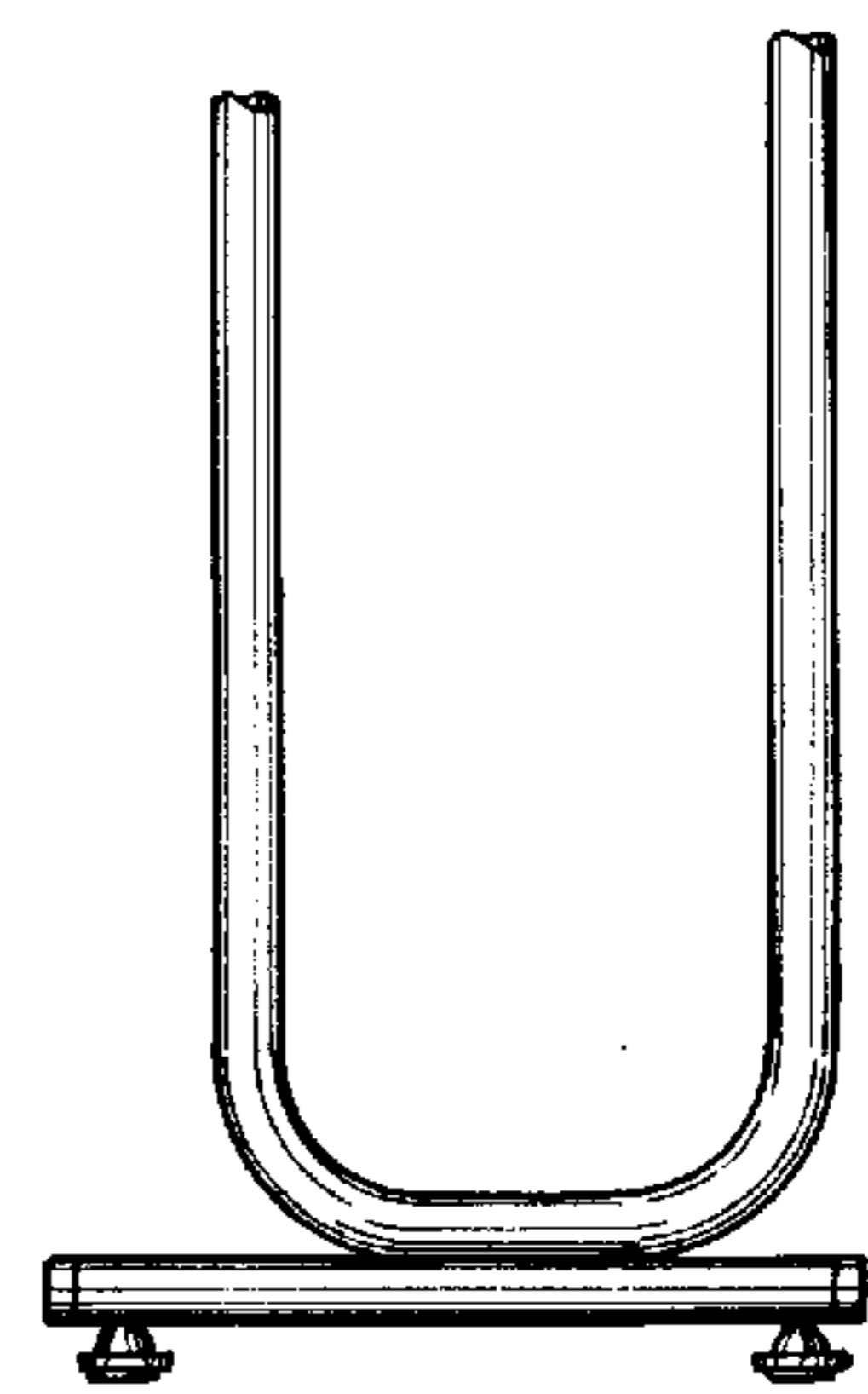


FIG. 4

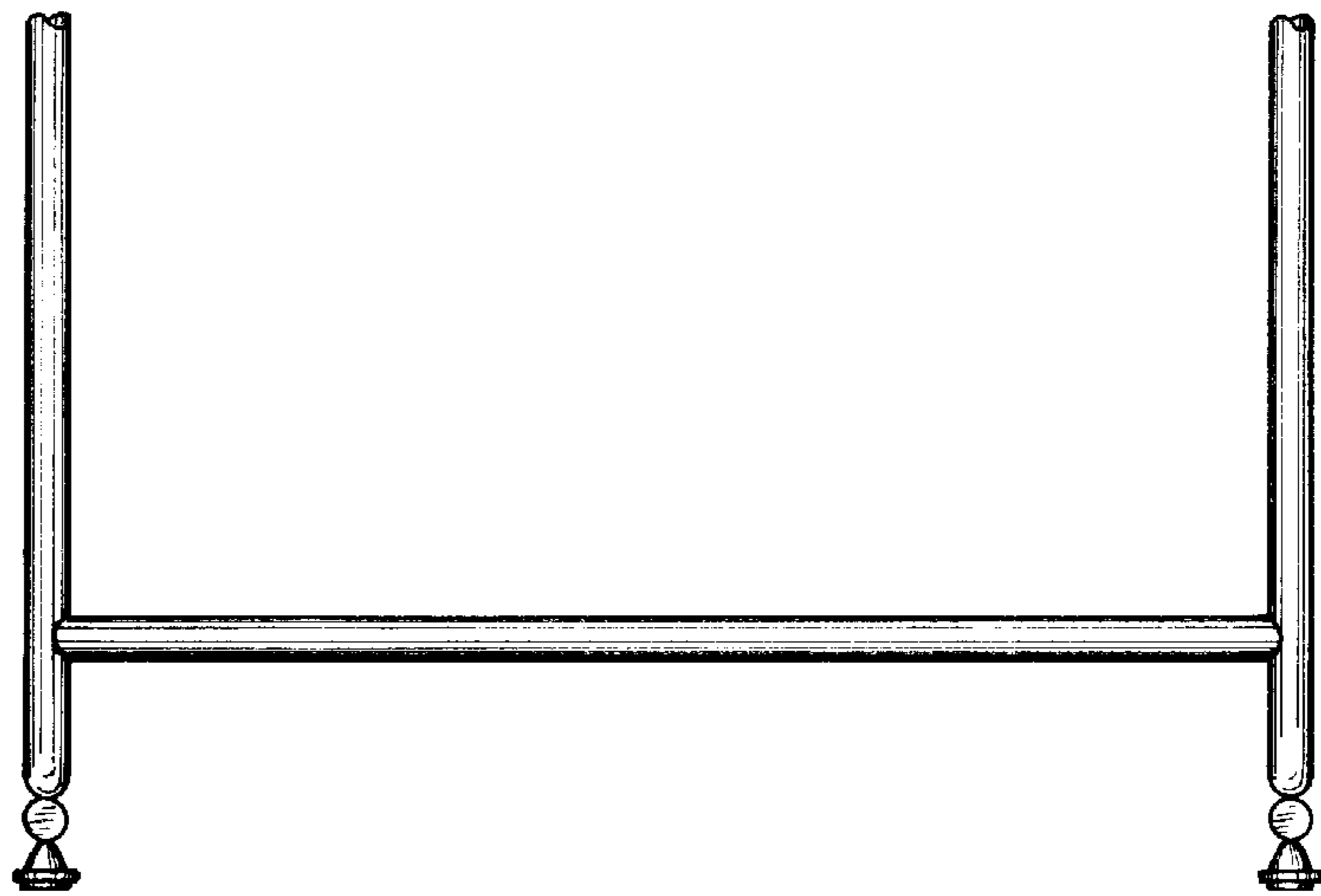


FIG. 5

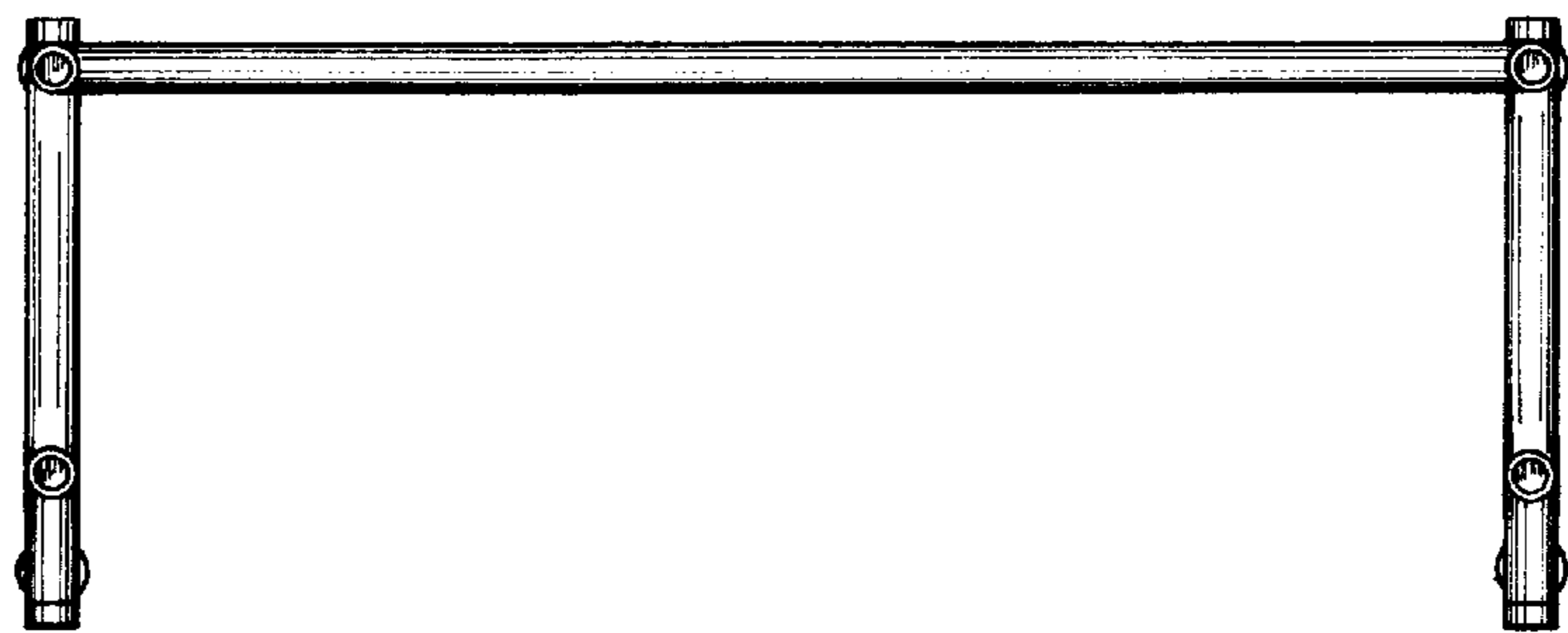
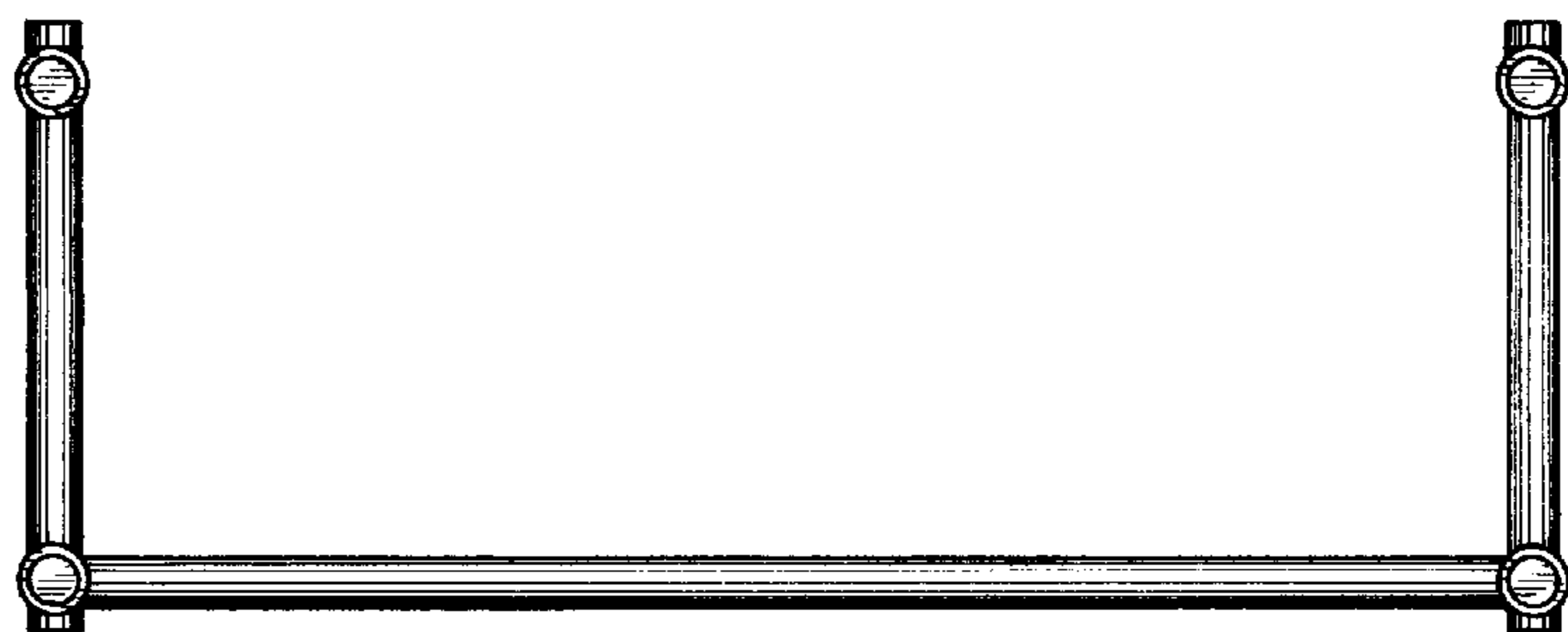


FIG. 6



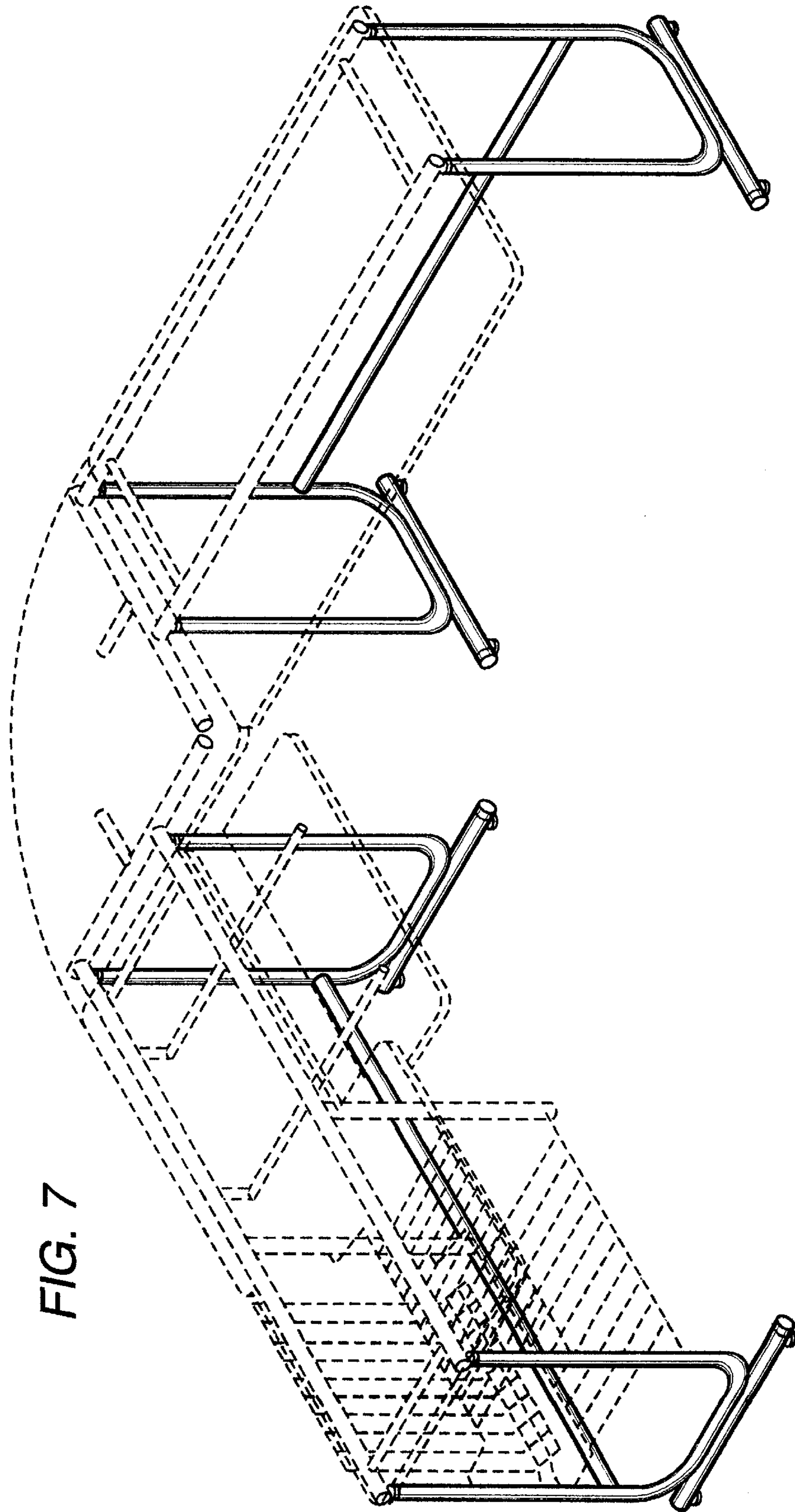


FIG. 7