



US00D404937S

United States Patent [19] Tarlow

[11] **Patent Number: Des. 404,937**

[45] **Date of Patent: **Feb. 2, 1999**

[54] **BOOKSHELF**

[76] Inventor: **Rose Tarlow**, 10556 Ottone Way, Los Angeles, Calif. 90077

[**] Term: **14 Years**

[21] Appl. No.: **86,584**

[22] Filed: **Apr. 16, 1998**

[51] **LOC (6) Cl. 06-04**

[52] **U.S. Cl. D6/479**

[58] **Field of Search** D6/461-465, 436-439, D6/477-479, 429, 430, 431; 312/204, 257.1, 281, 283, 108; 108/59, 60, 65, 63, 33, 69, 77-79, 86; 211/134, 153, 133.1, 186-188, 40, 42

[56] **References Cited**

U.S. PATENT DOCUMENTS

D. 247,696	4/1978	Eisen	D6/436
D. 256,075	7/1980	Handler et al.	D6/436
D. 270,218	8/1983	Robertson et al.	D6/437
D. 302,631	8/1989	Bush et al.	D6/436
D. 355,083	2/1995	Wolff	D6/437

D. 363,841	11/1995	Nourse	D6/479
D. 388,975	1/1998	Naas et al.	D6/430 X
3,847,458	11/1974	Nowak	312/108
3,946,810	3/1976	Murphy	312/257.1
4,195,890	4/1980	Kellogg	312/257.1

Primary Examiner—Jams Gandy
Assistant Examiner—Linda Brooks
Attorney, Agent, or Firm—Harvey S. Hertz

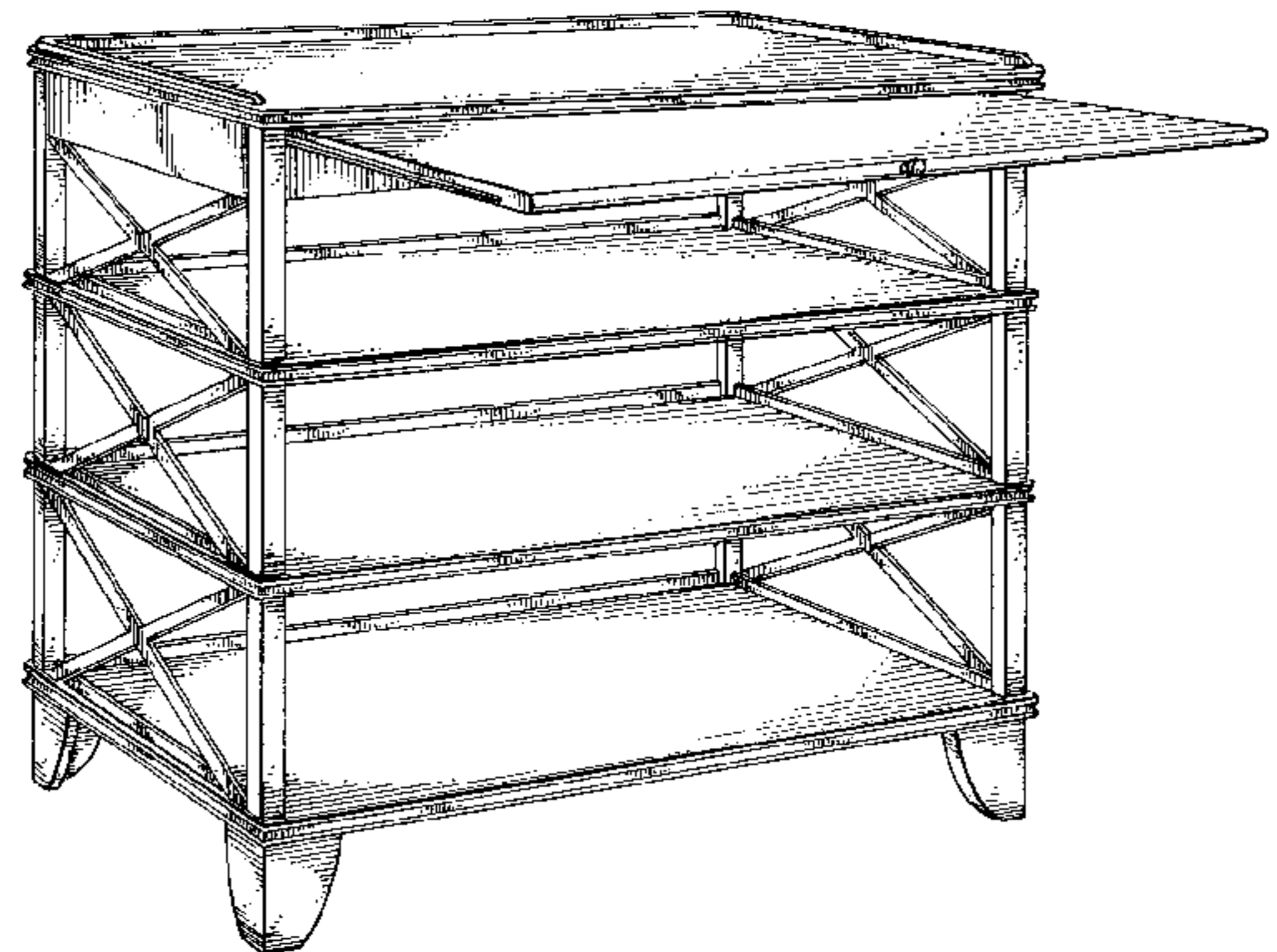
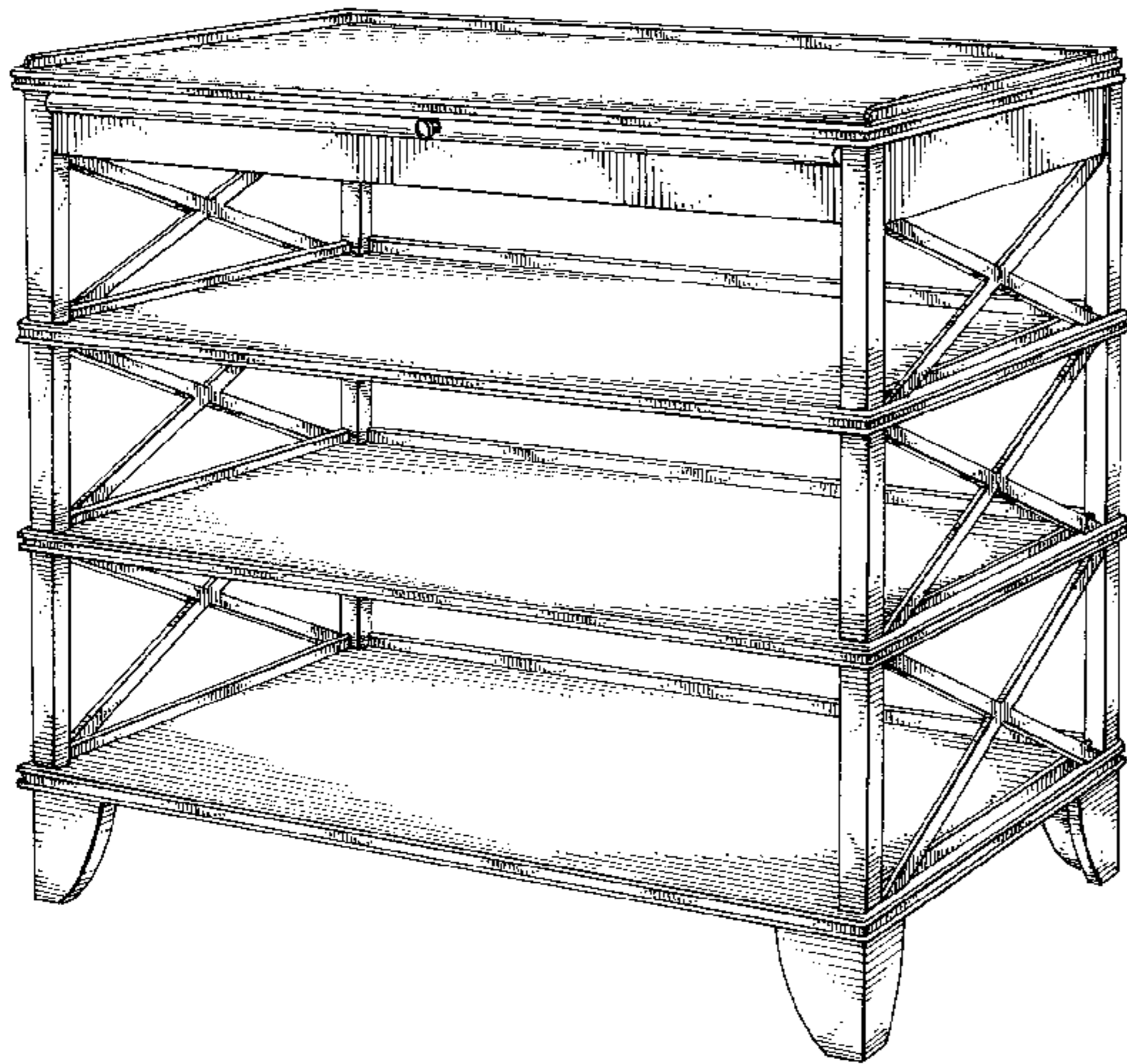
[57] **CLAIM**

The ornamental design for a bookshelf, as shown and described.

DESCRIPTION

FIG. 1 is a front, top and right side perspective view of a bookshelf showing my new design;
FIG. 2 is a top plan;
FIG. 3 is a front elevational view thereof;
FIG. 4 is a rear elevational view thereof;
FIG. 5 is a left side elevational view, the right side being a mirror image thereof; and,
FIG. 6 is a front, top and left side perspective view with a platform shelf shown in an extended position.

1 Claim, 3 Drawing Sheets



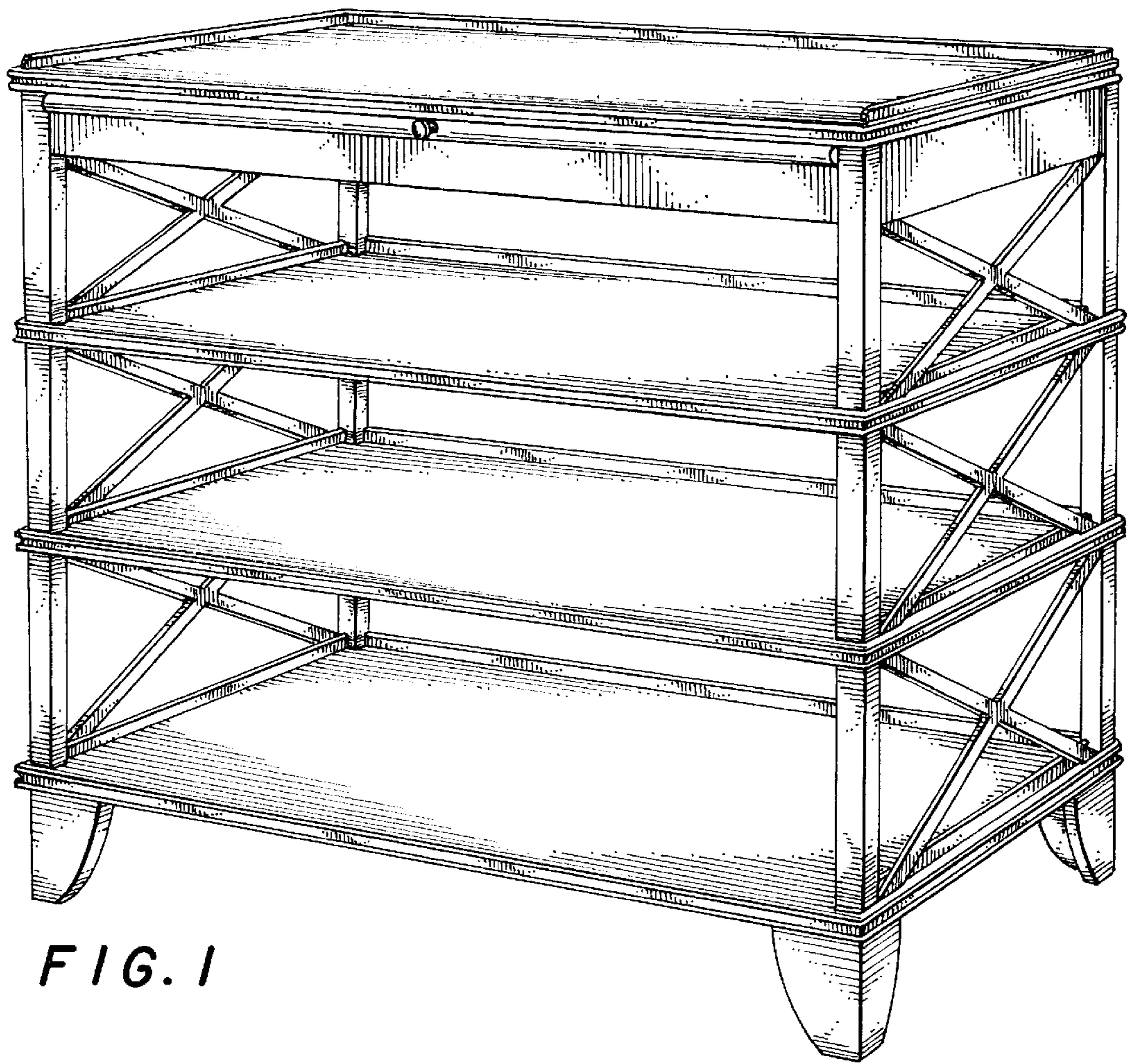
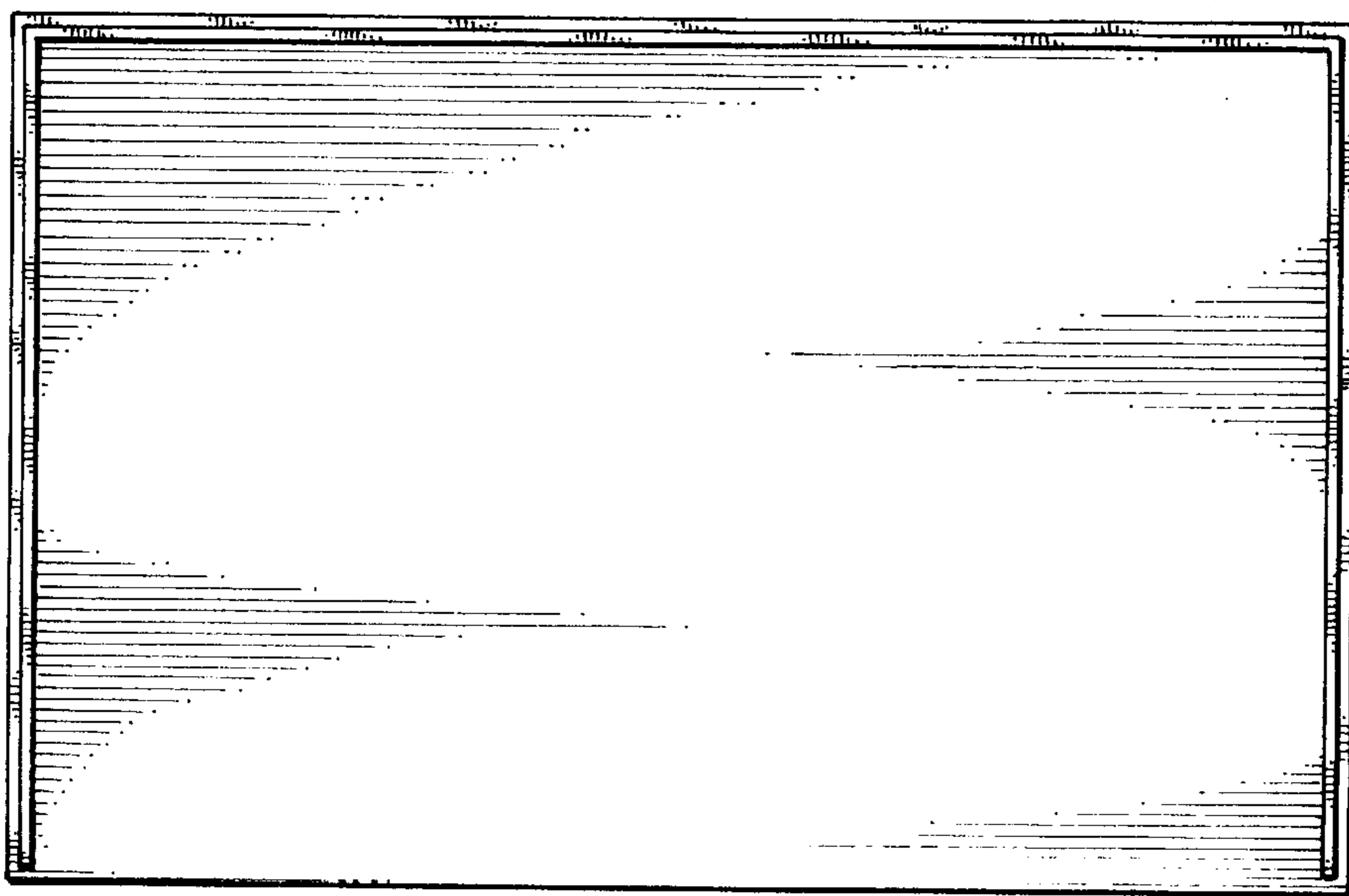


FIG. 1

FIG. 2



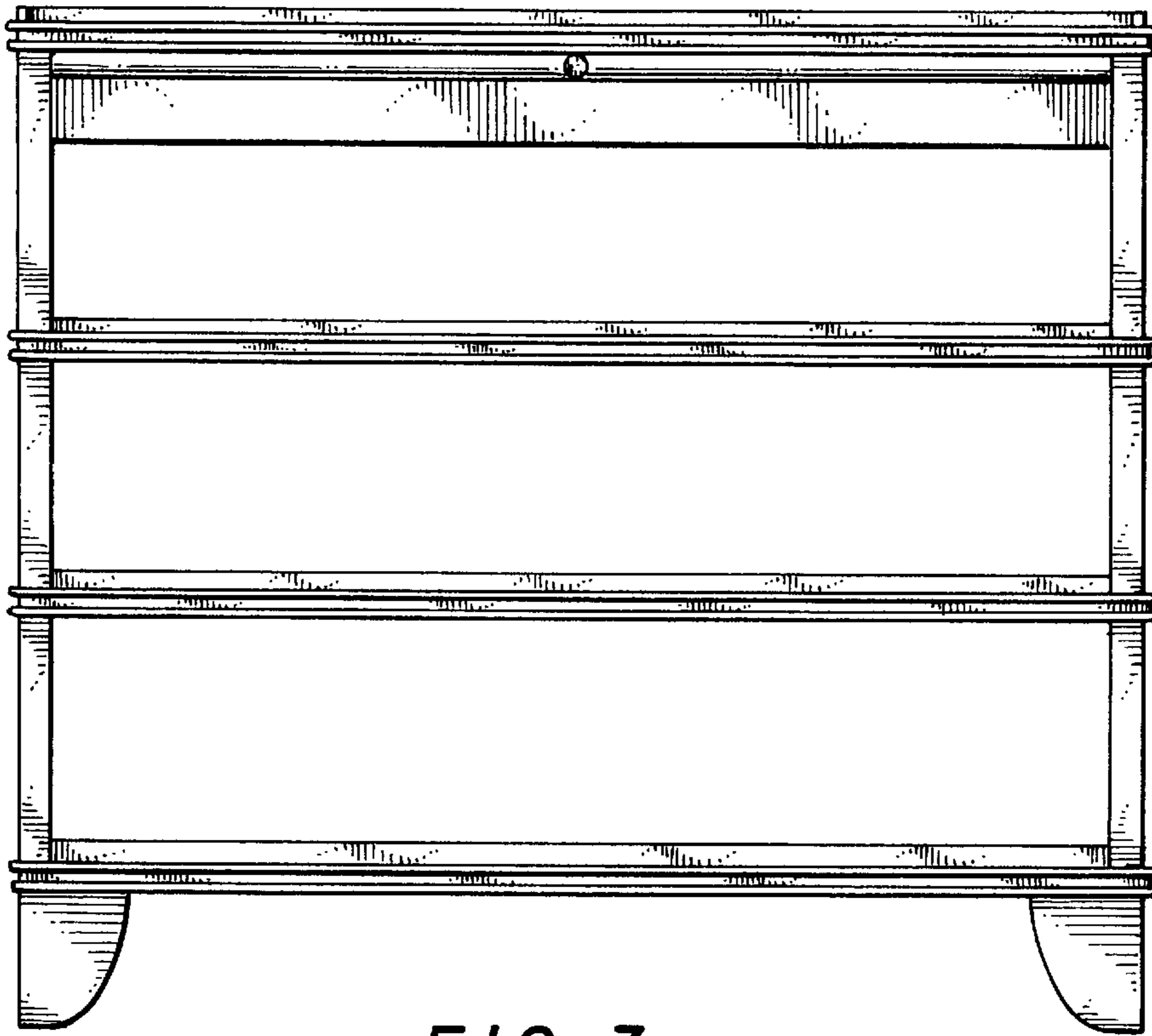


FIG. 3

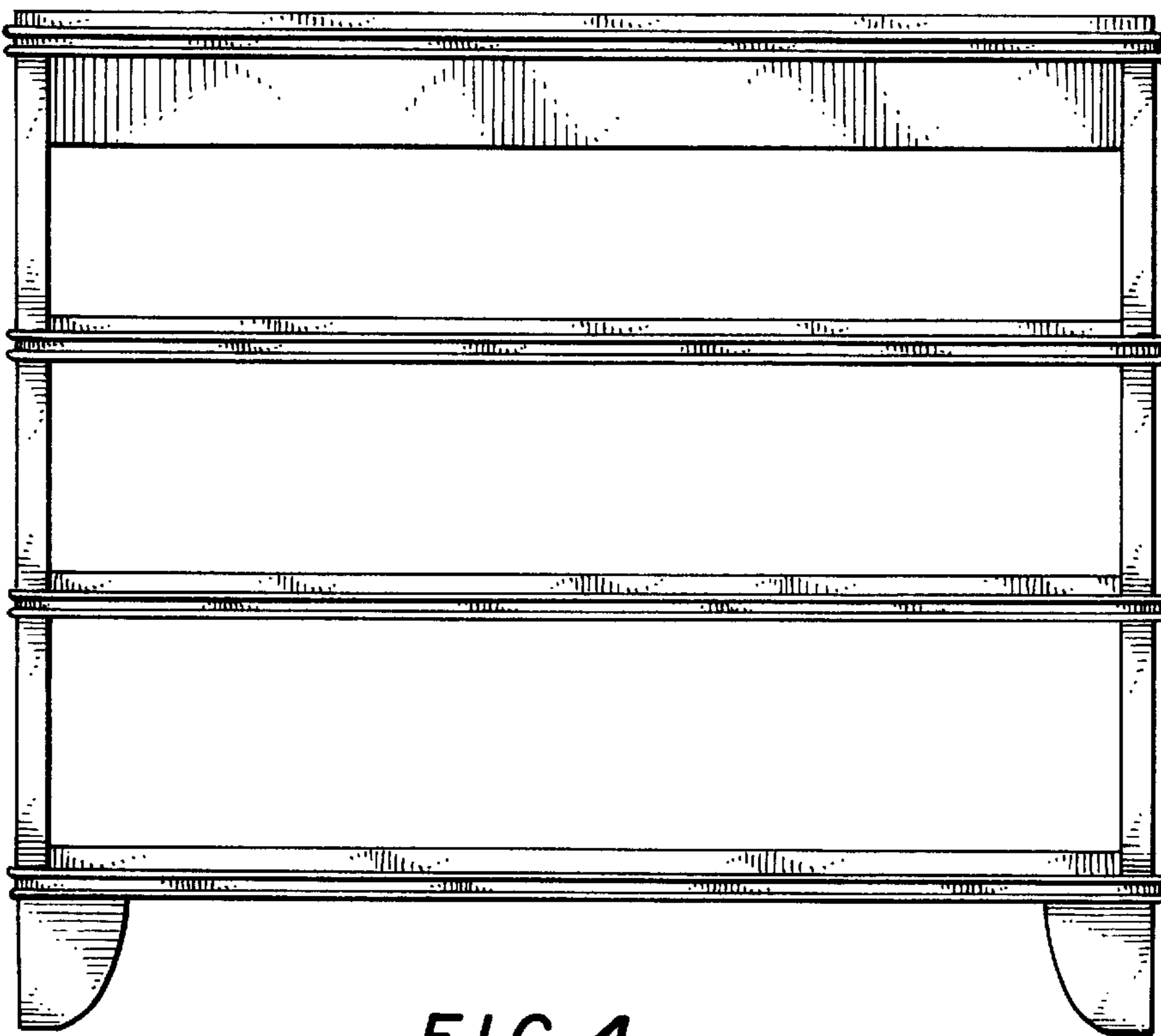


FIG. 4

FIG. 5

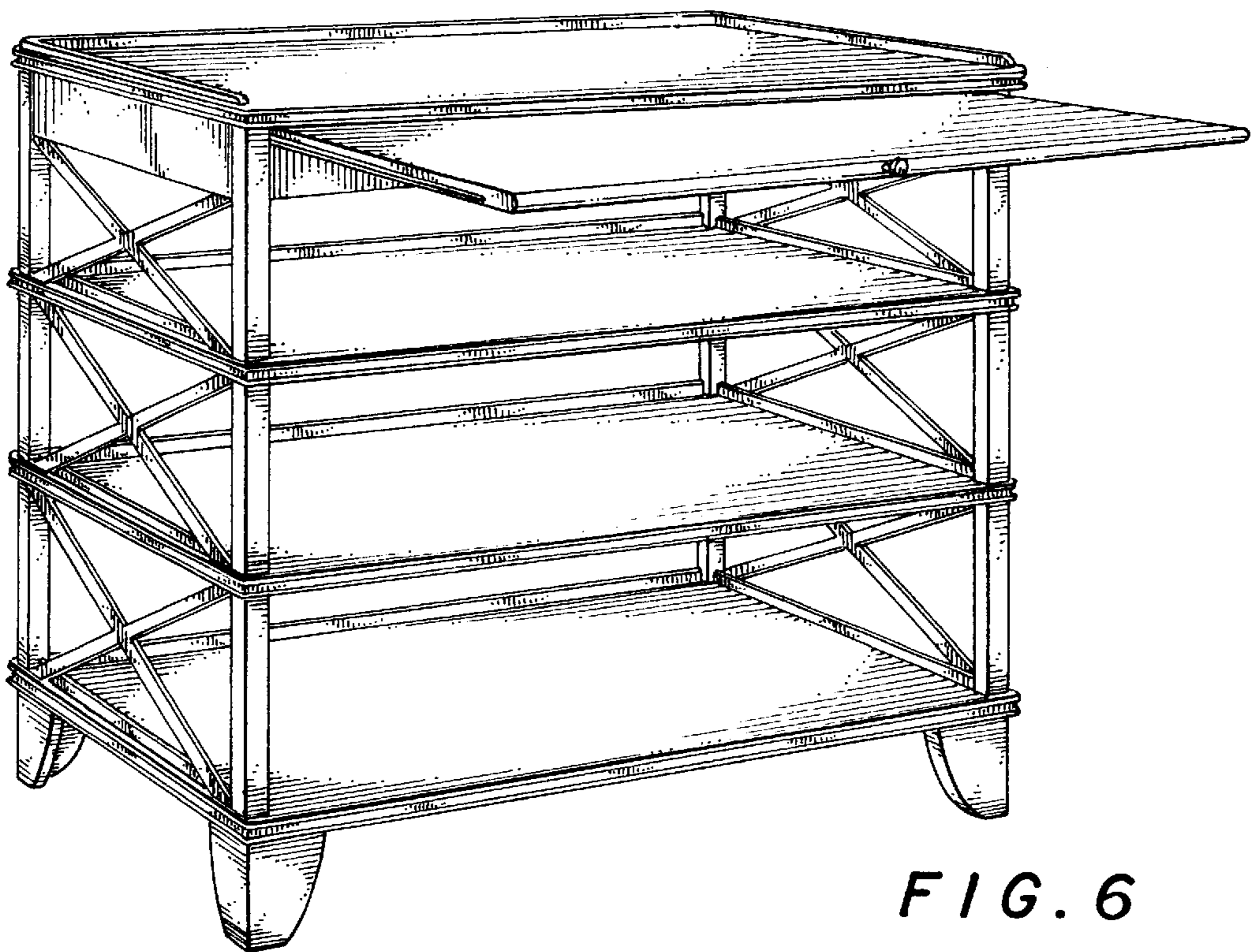
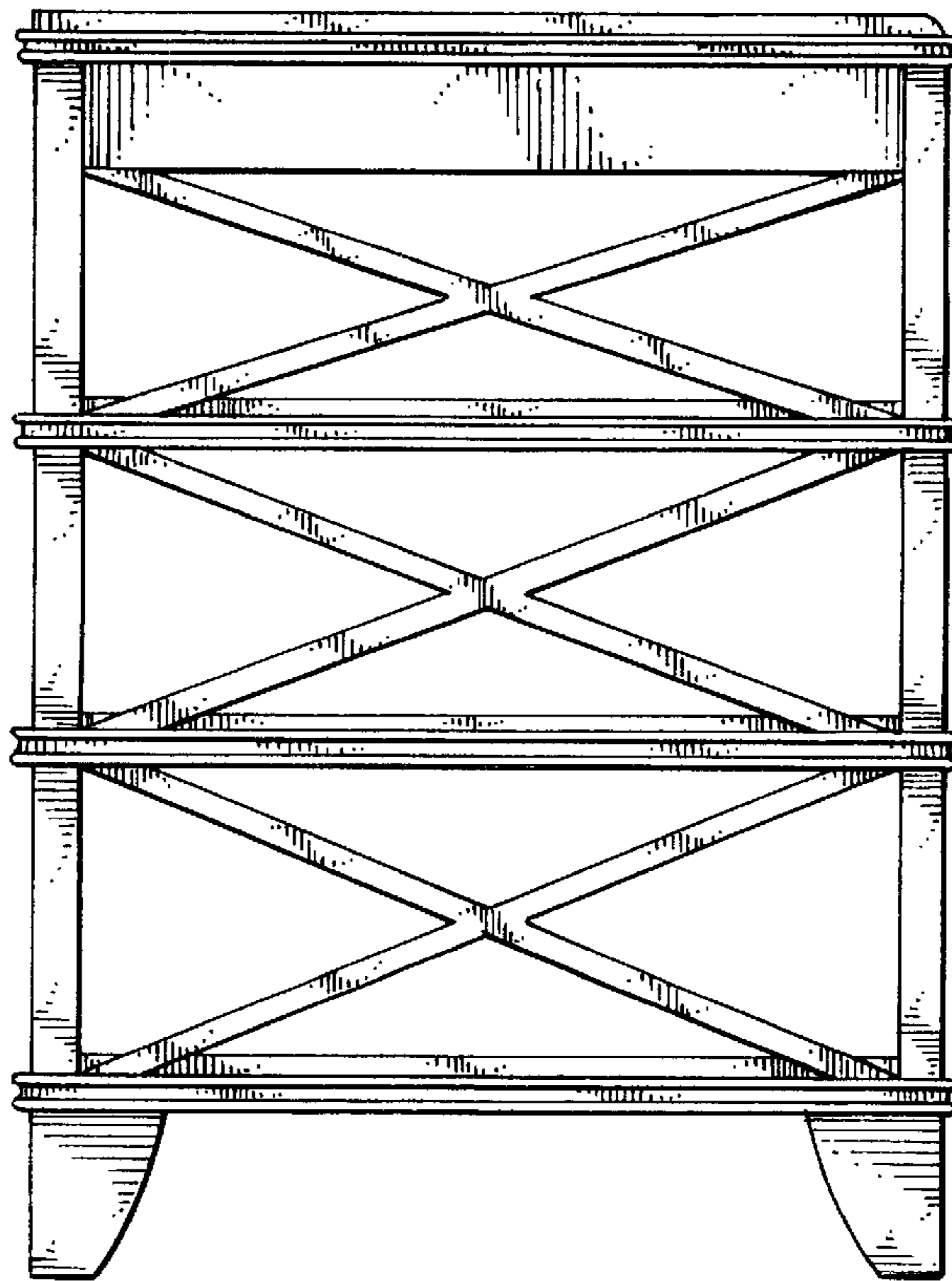


FIG. 6