

US00D404933S

United States Patent [19]

Travers

[11] **Patent Number: Des. 404,933**

[45] **Date of Patent: **Feb. 2, 1999**

[54] **BOOK STAND**

[76] **Inventor: Eunice F Travers, 8176 Stone Trace Cir., Westerville, Ohio 43081**

[**] **Term: 14 Years**

[21] **Appl. No.: 73,302**

[22] **Filed: Jul. 21, 1997**

[51] **LOC (6) Cl. 06-04**

[52] **U.S. Cl. D6/419**

[58] **Field of Search D6/419, 420, 300-314, D6/406.1-406.6; D19/88, 90, 91; 248/441.1, 447, 448, 449, 451, 452, 454, 455, 457, 460-465**

[56] **References Cited**

U.S. PATENT DOCUMENTS

- D. 278,496 4/1985 Hausman D6/310
- 297,284 4/1884 Mudgett D19/91 X
- D. 321,610 11/1991 Rienecker D6/419
- D. 323,752 2/1992 Montagner D6/420

- 340,596 4/1886 Mowat D19/91 X
- 1,270,767 7/1918 Armstrong 248/454
- 1,455,603 5/1923 Dandridge 248/452
- 3,195,849 7/1965 Maddox 248/452
- 3,934,806 1/1976 Rady 248/460 X
- 4,116,414 9/1978 Robertson 248/451
- 5,375,806 12/1994 Debus et al. 248/452

Primary Examiner—Carmen H Vales-Lado

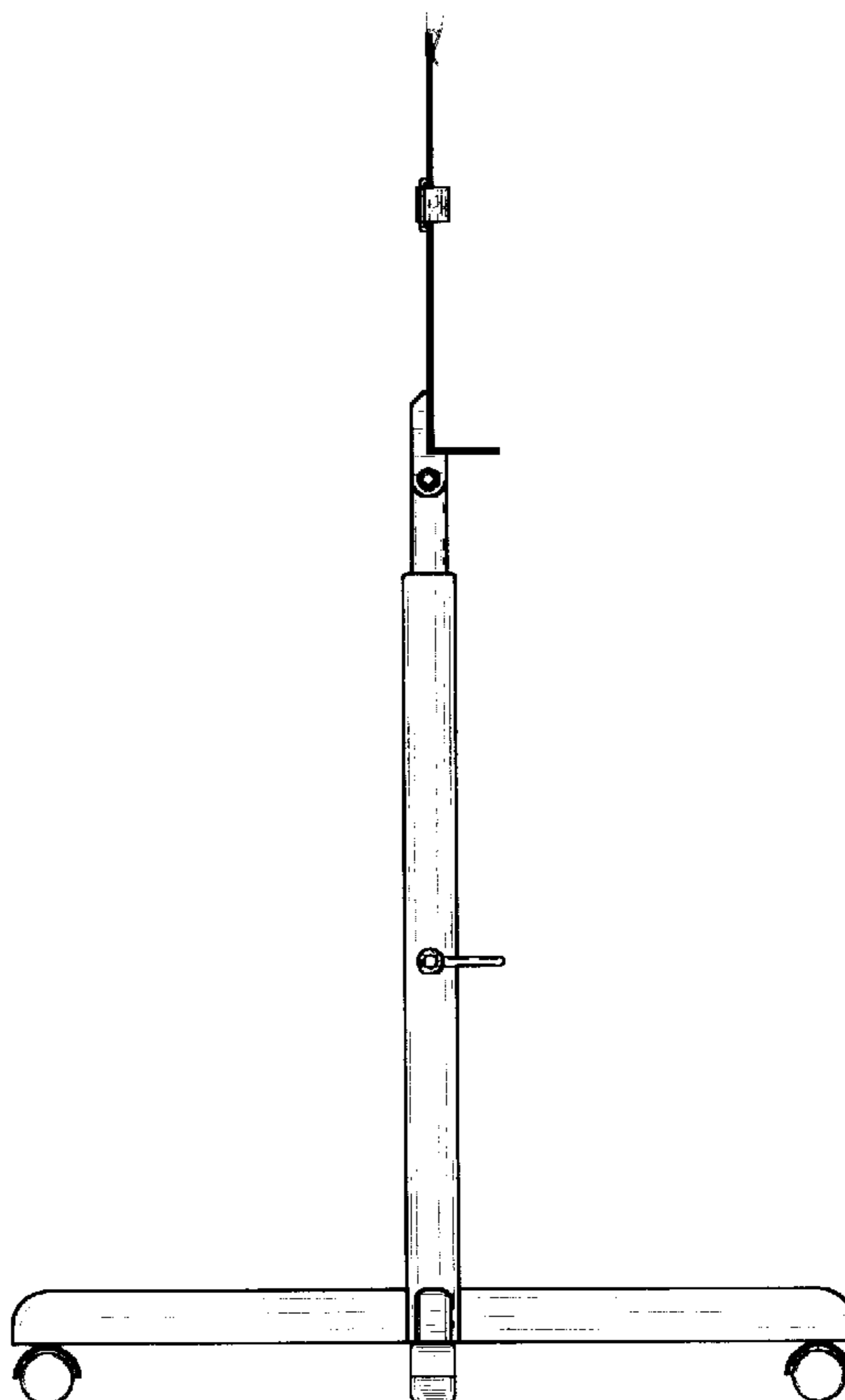
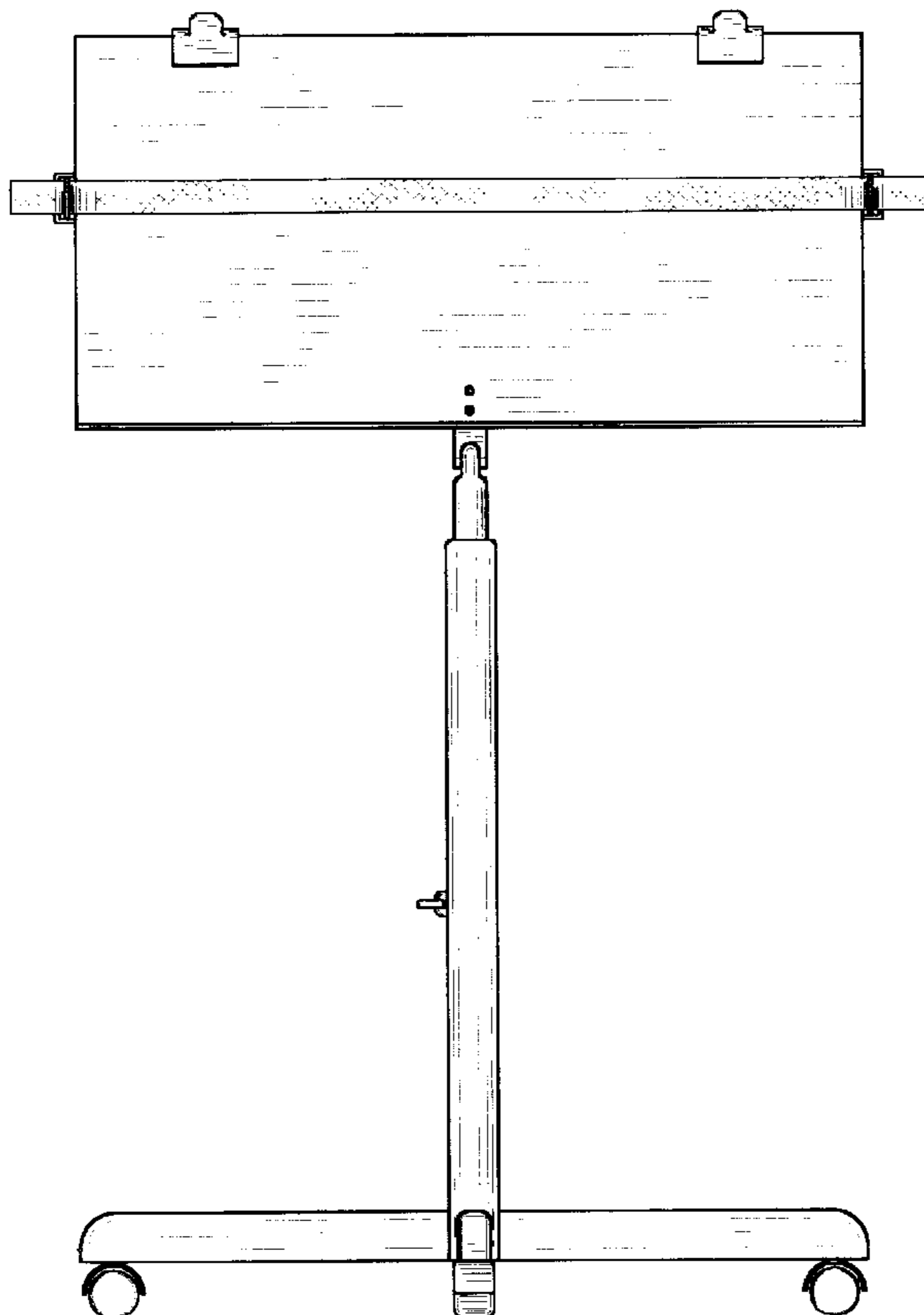
[57] **CLAIM**

The ornamental design for a book stand, as shown.

DESCRIPTION

FIG. 1 is a front elevational view of a book stand showing my new design;
 FIG. 2 is a rear elevational view thereof;
 FIG. 3 is a left side elevational view thereof;
 FIG. 4 is a right side elevational view thereof;
 FIG. 5 is a top plan view thereof; and,
 FIG. 6 is a bottom plan view thereof.

1 Claim, 3 Drawing Sheets



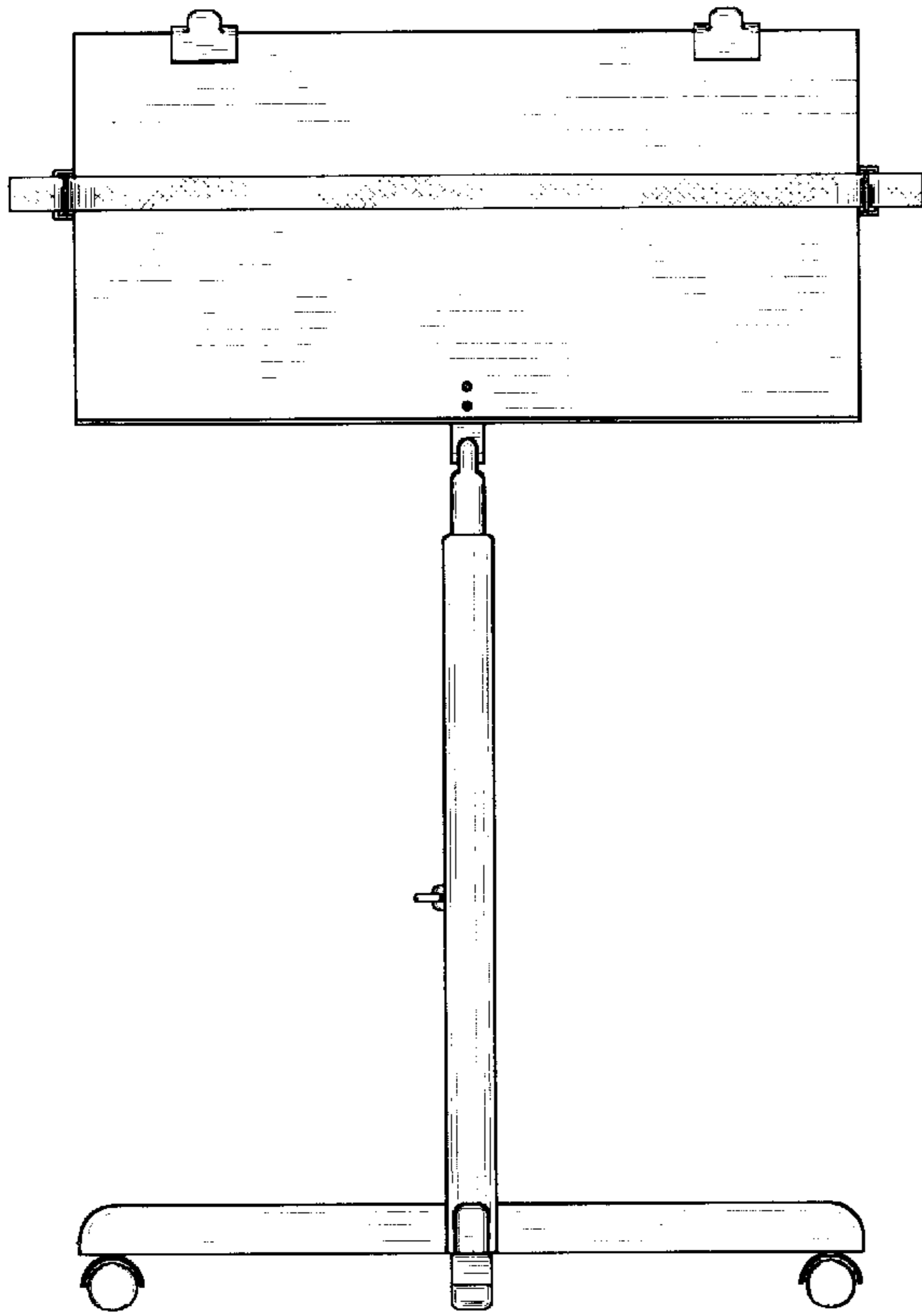


Fig. 1

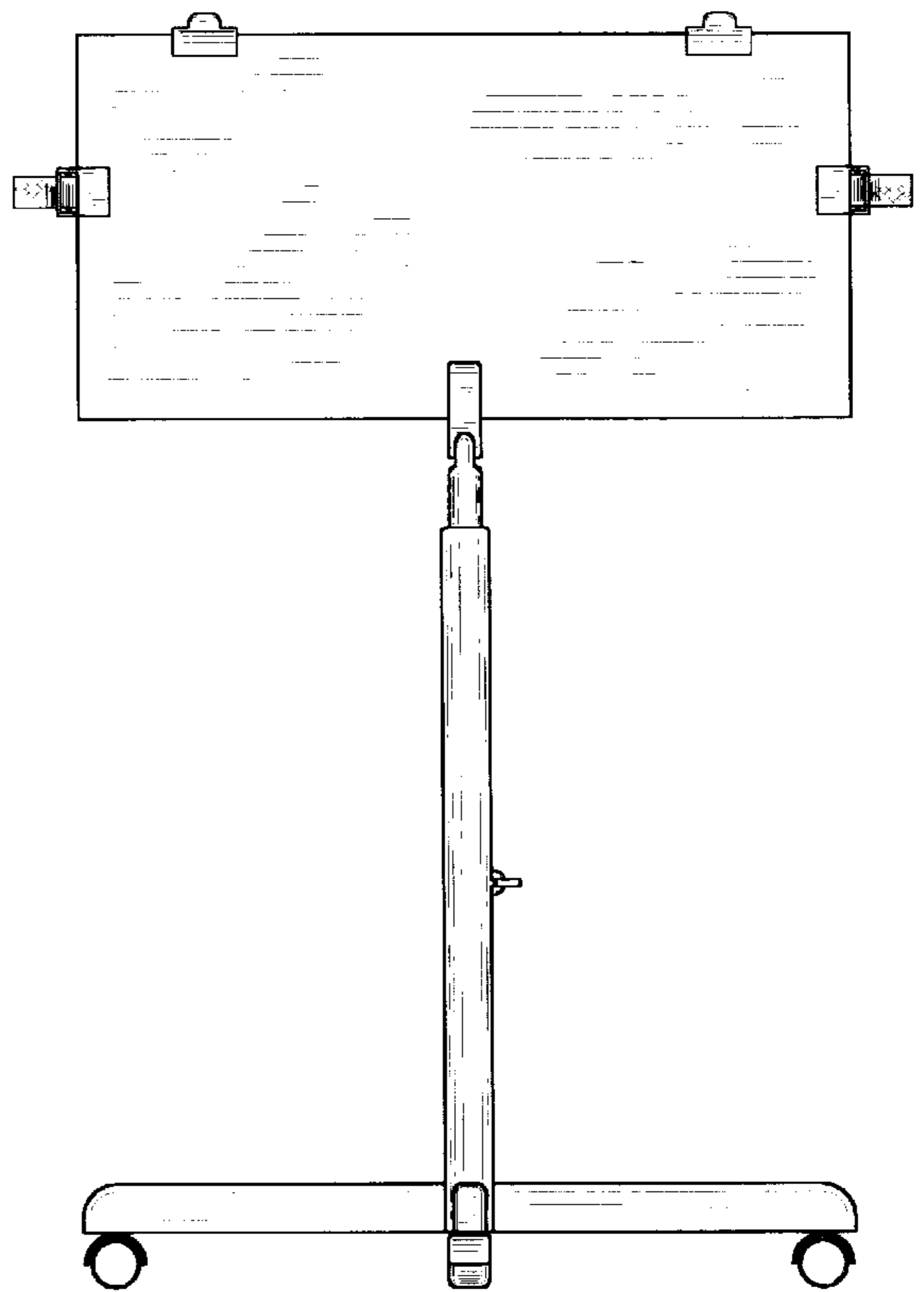


Fig. 2

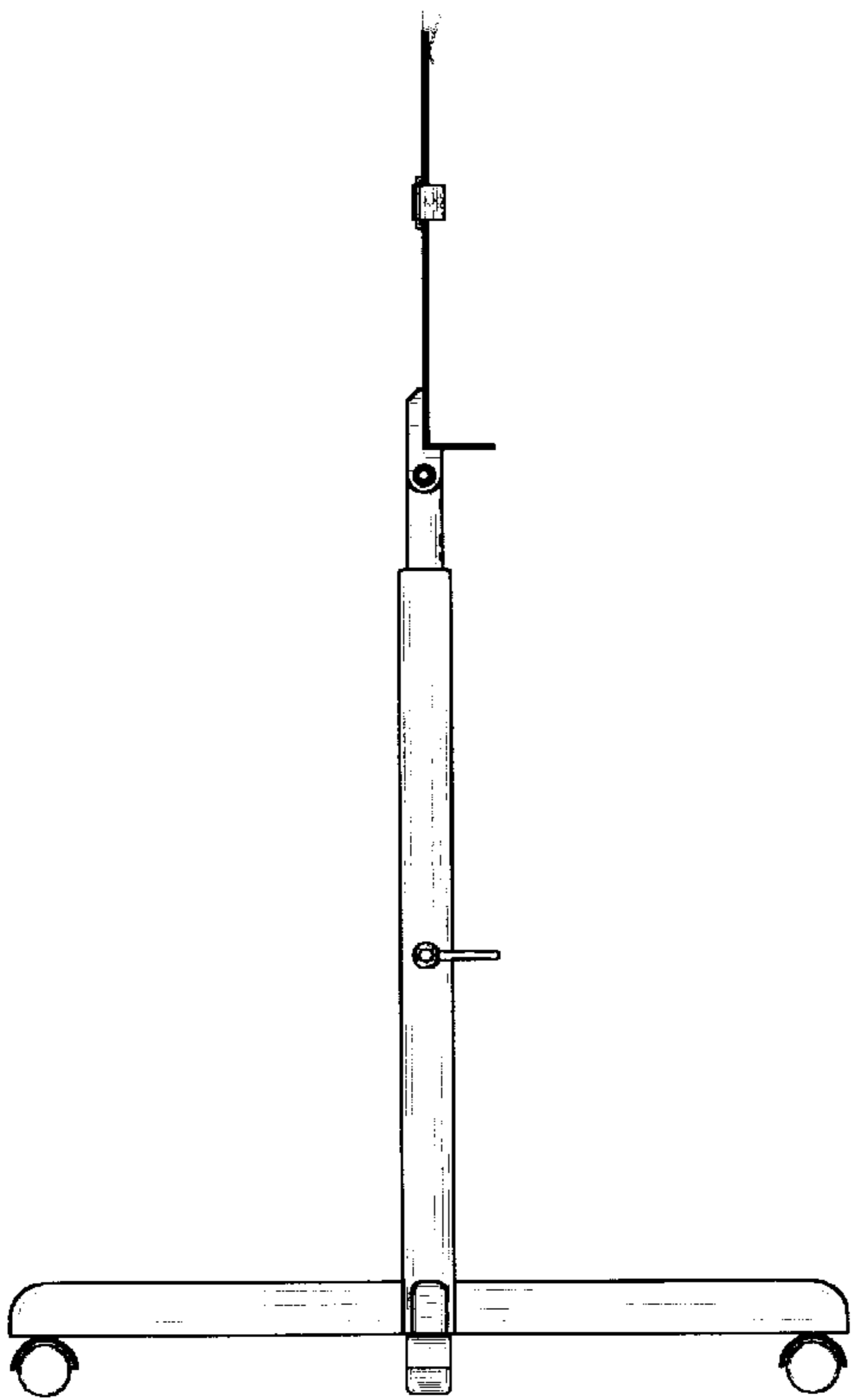


Fig. 3

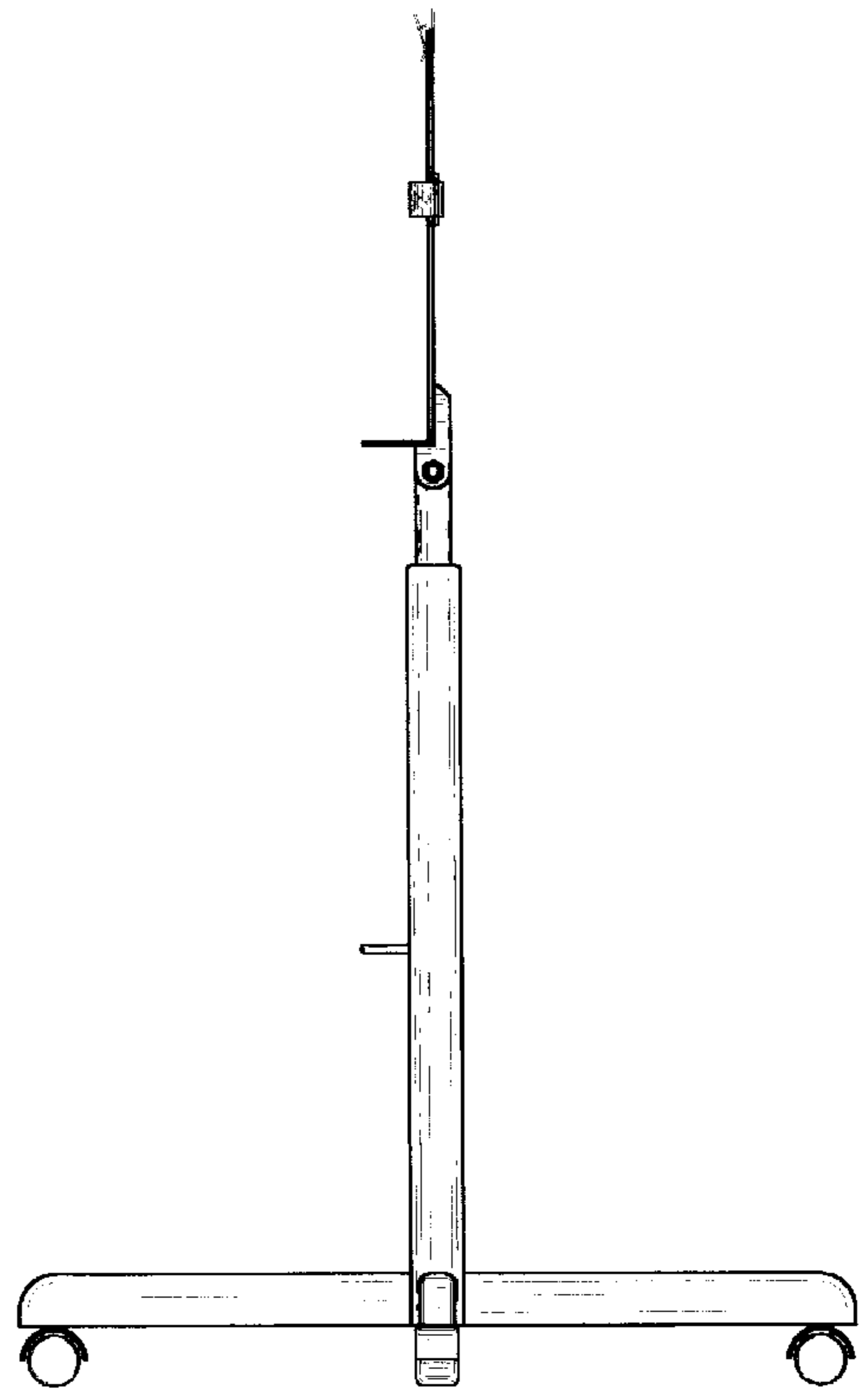


Fig. 4

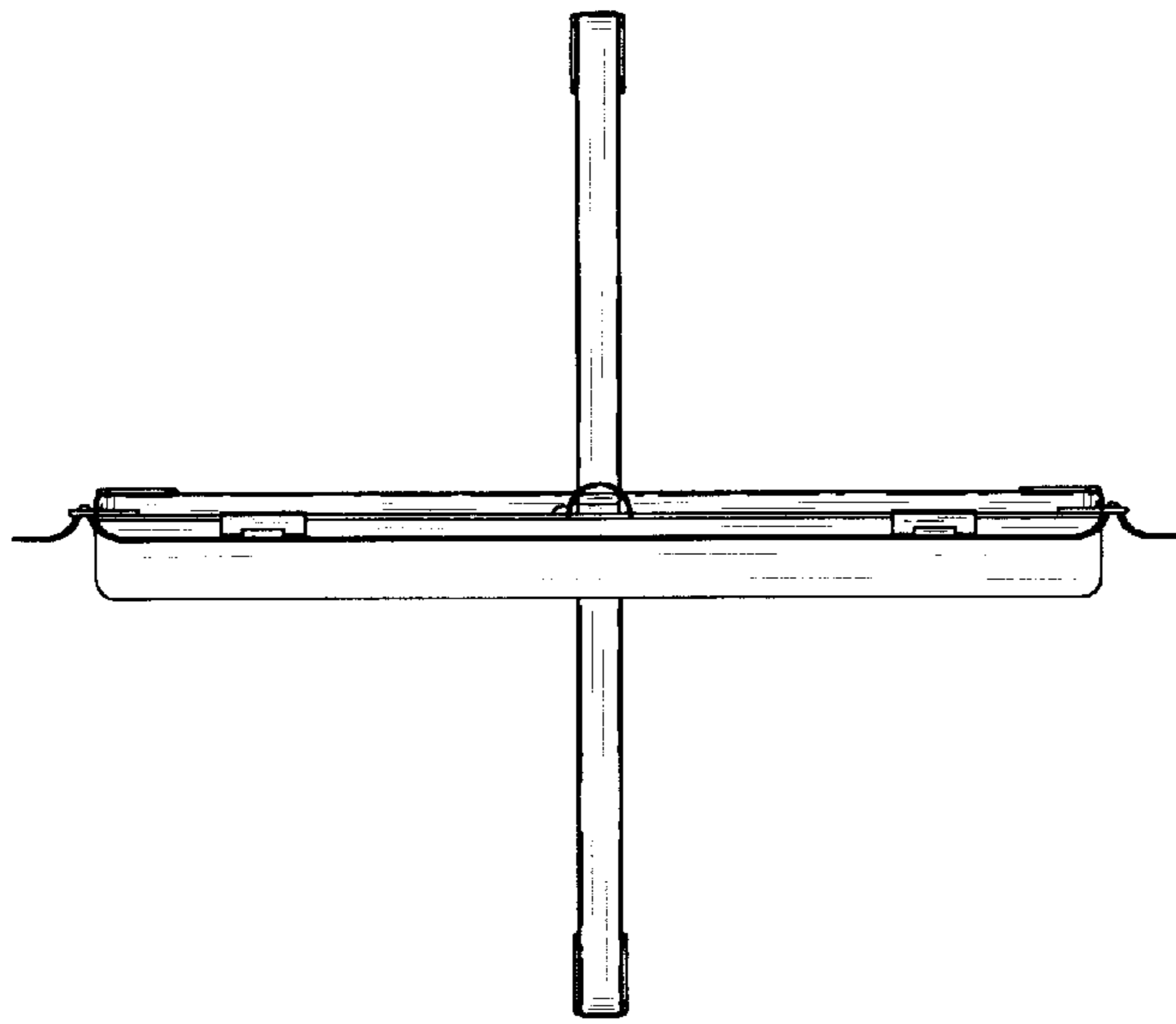


Fig. 5

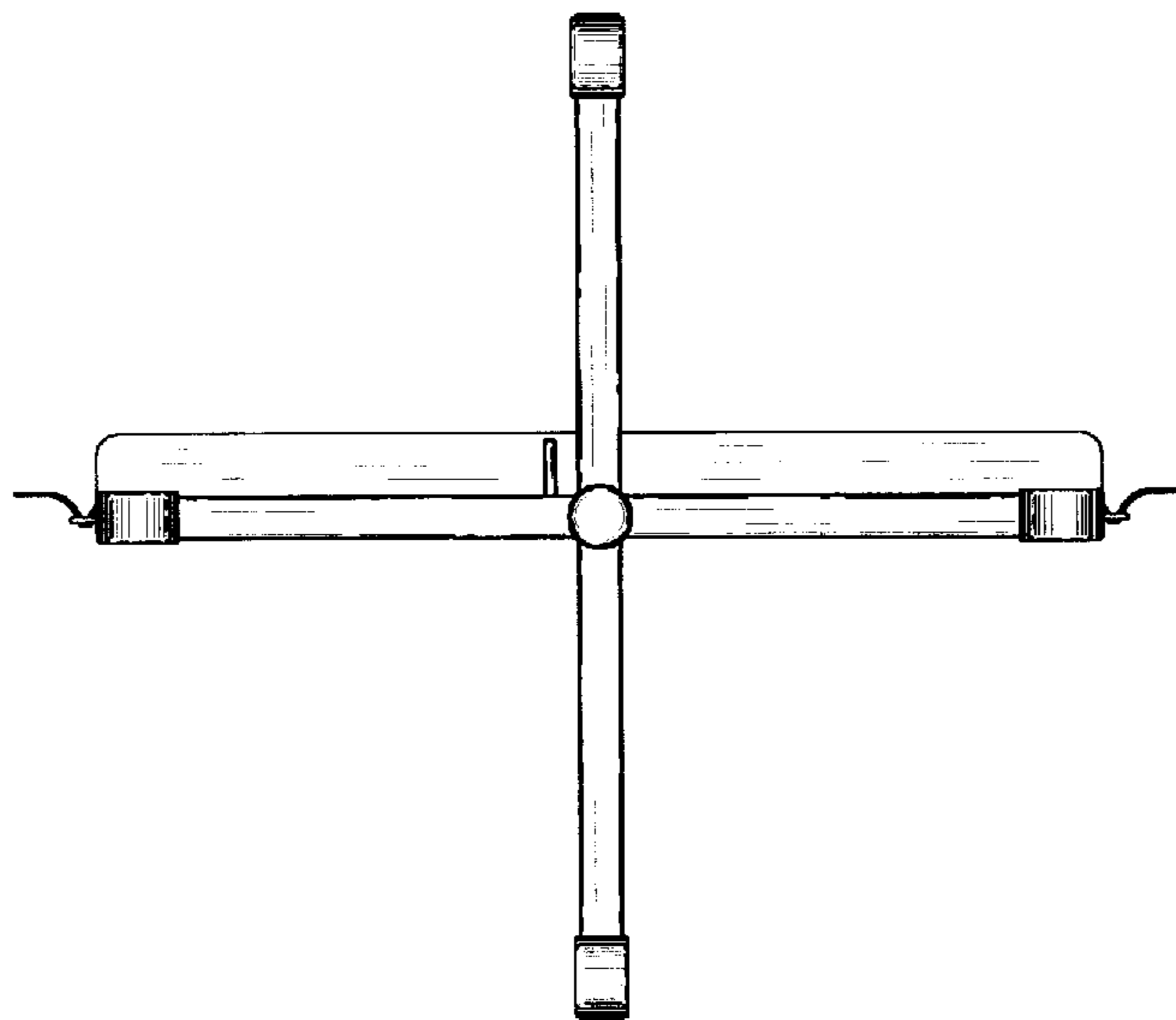


Fig. 6