



US00D404932S

United States Patent [19] Duggan

[11] **Patent Number: Des. 404,932**

[45] **Date of Patent: **Feb. 2, 1999**

[54] **FOLDABLE BOOK STAND**

[76] Inventor: **J Edmund Duggan**, 1987 Dellwood Dr., Atlanta, Ga. 30309

[**] Term: **14 Years**

[21] Appl. No.: **70,539**

[22] Filed: **May 9, 1997**

[51] **LOC (6) Cl.** **06-04**

[52] **U.S. Cl.** **D6/419; D6/429**

[58] **Field of Search** D6/419, 420, 300-314, D6/406.1-406.6; D19/88, 90, 91; 248/441.1, 448, 449, 451, 452, 454, 455, 457, 460-465

[56] **References Cited**

U.S. PATENT DOCUMENTS

D. 358,271 5/1995 Leveen et al. D6/419

D. 358,611 5/1995 Dainoff et al. D19/88
D. 367,377 2/1996 Langton et al. D6/419
5,651,525 7/1997 Yang 248/447 X

Primary Examiner—Carmen H. Vales-Lado

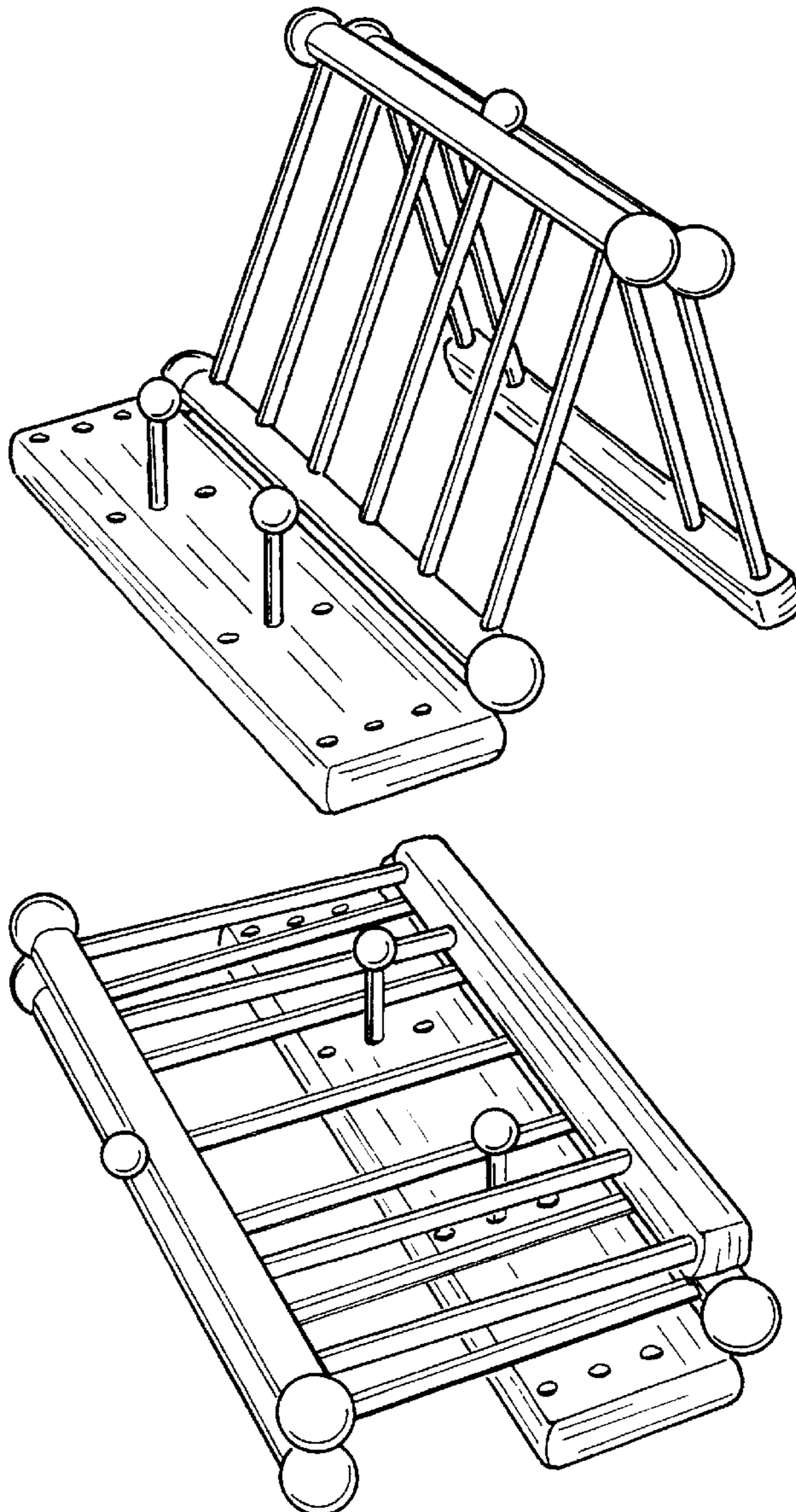
[57] **CLAIM**

The ornamental design for a foldable book stand, as shown.

DESCRIPTION

FIG. 1 is a front, left perspective view of a foldable book stand showing my new design;
FIG. 2 is a front, right perspective view in folded position;
FIG. 3 is a front elevational view of FIG. 1;
FIG. 4 is a rear elevational view;
FIG. 5 is a right side elevational view; and,
FIG. 6 is a left side elevational view.

1 Claim, 3 Drawing Sheets



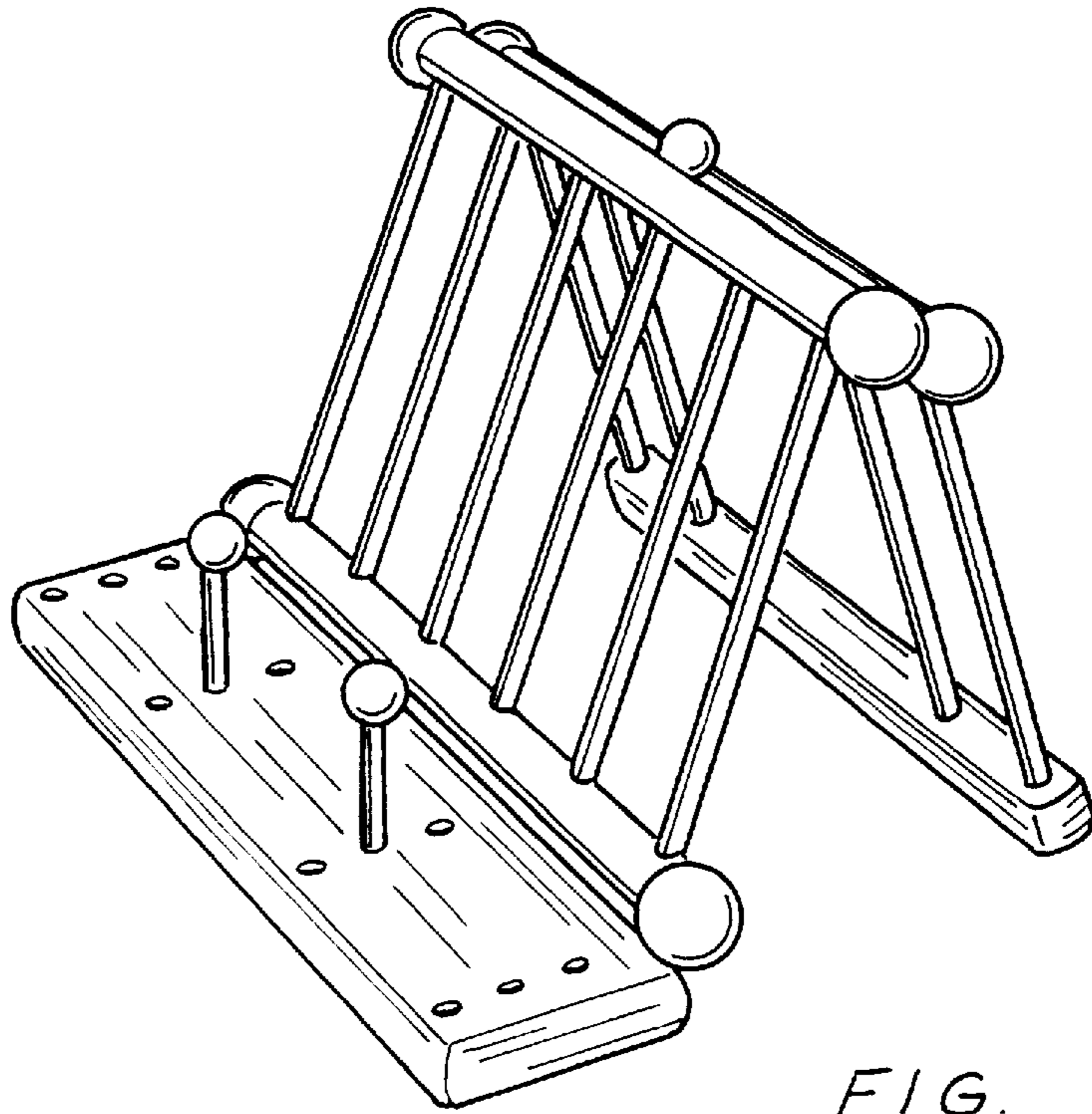


FIG. 1

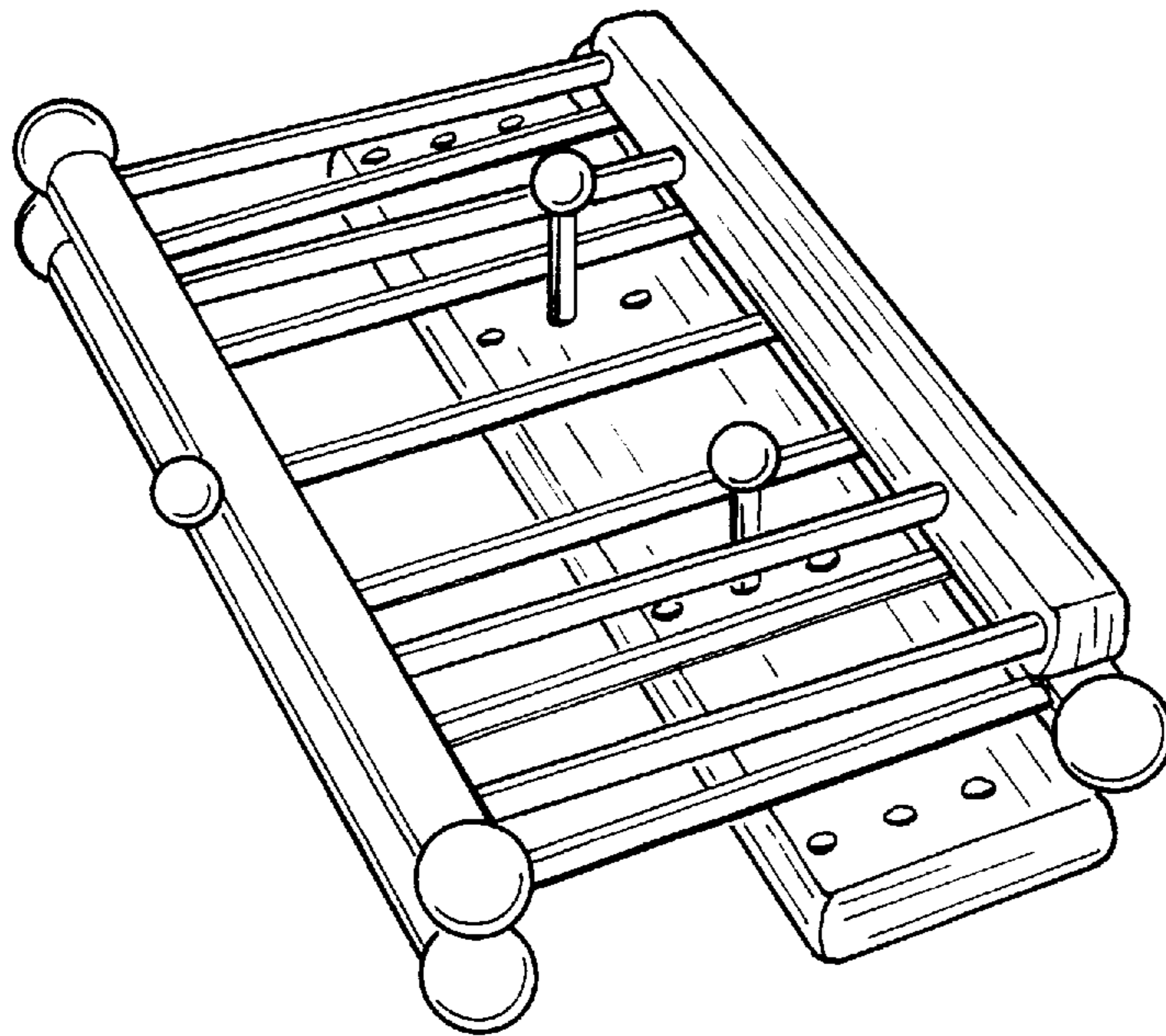


FIG. 2

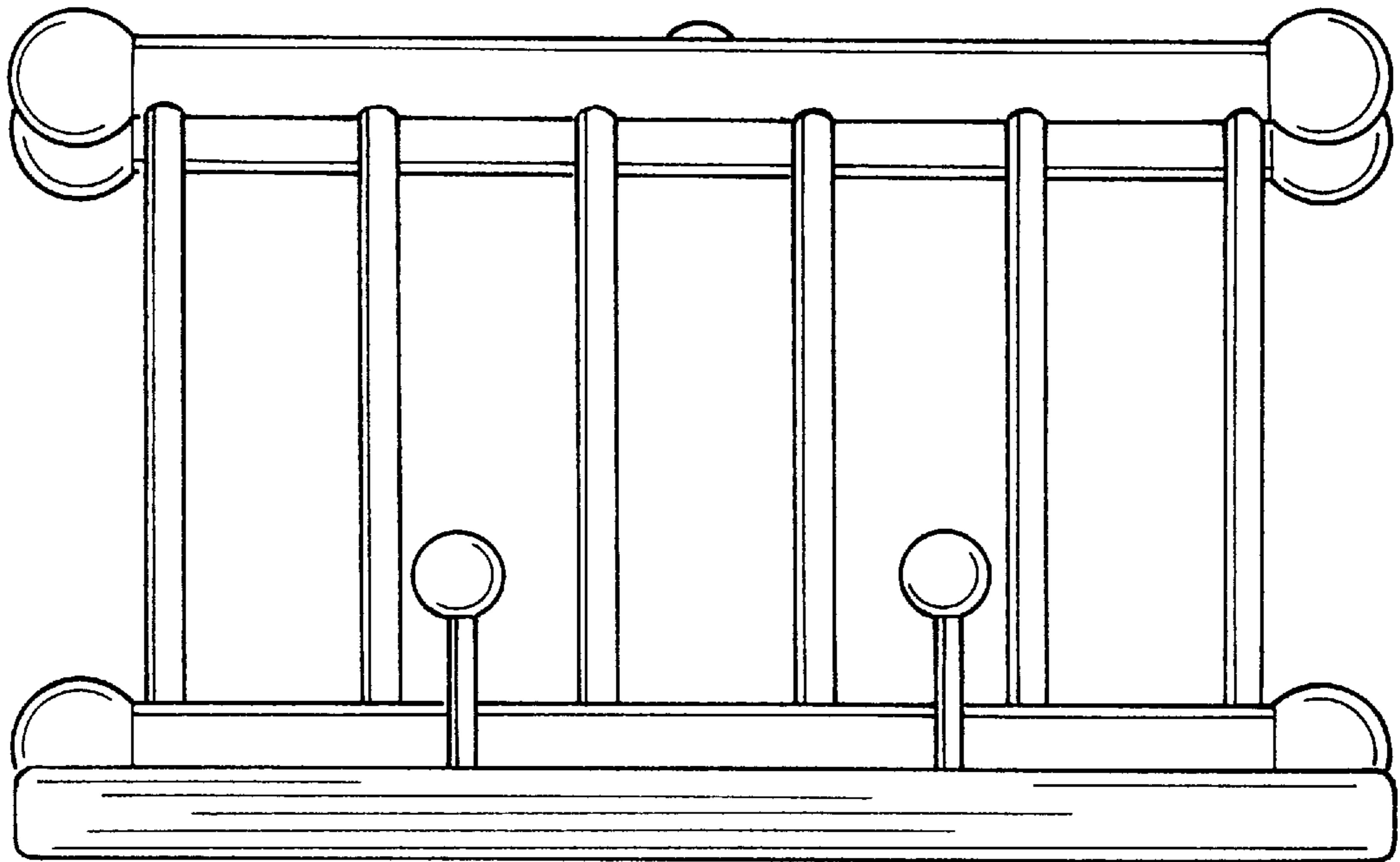


FIG. 3

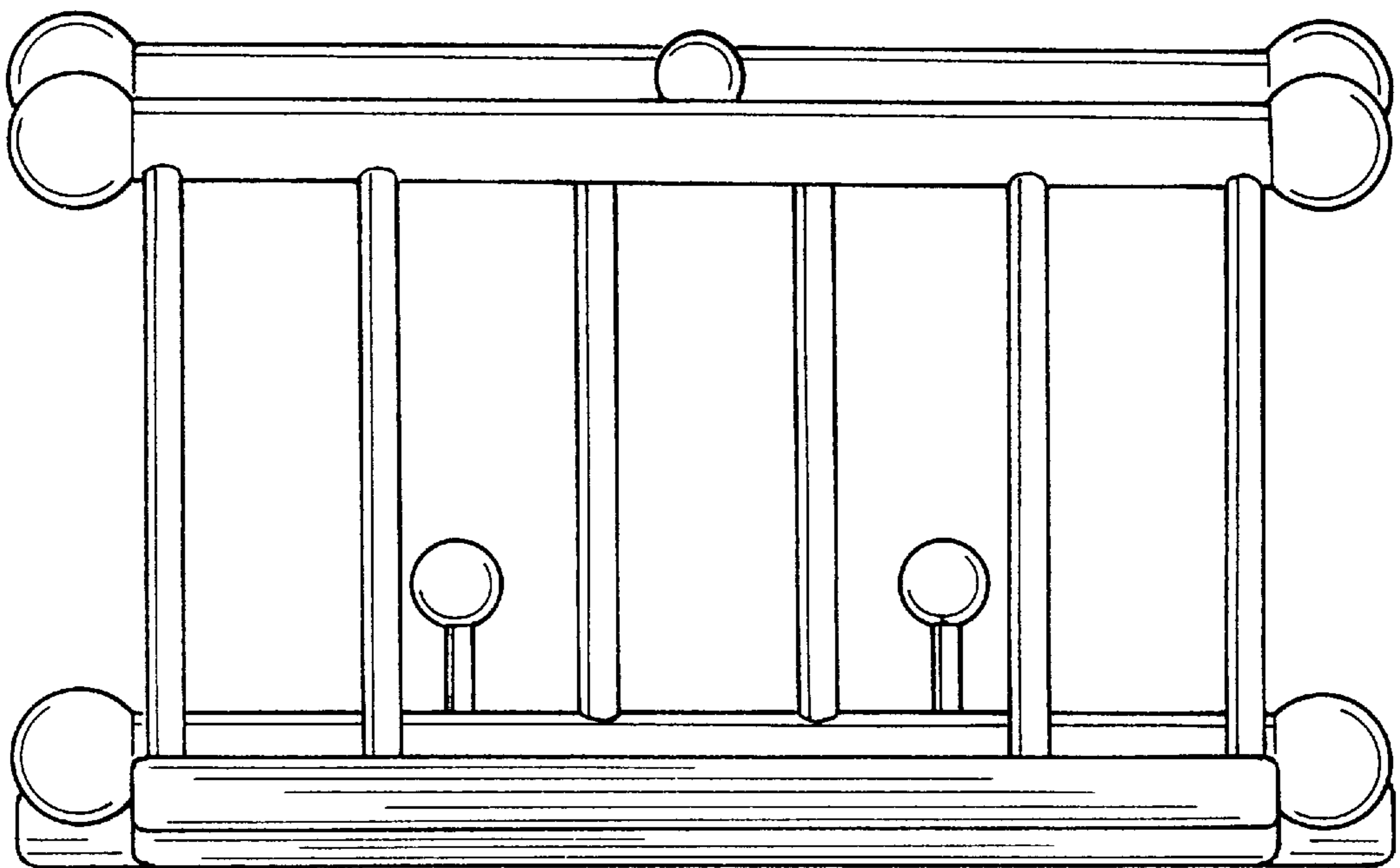


FIG. 4

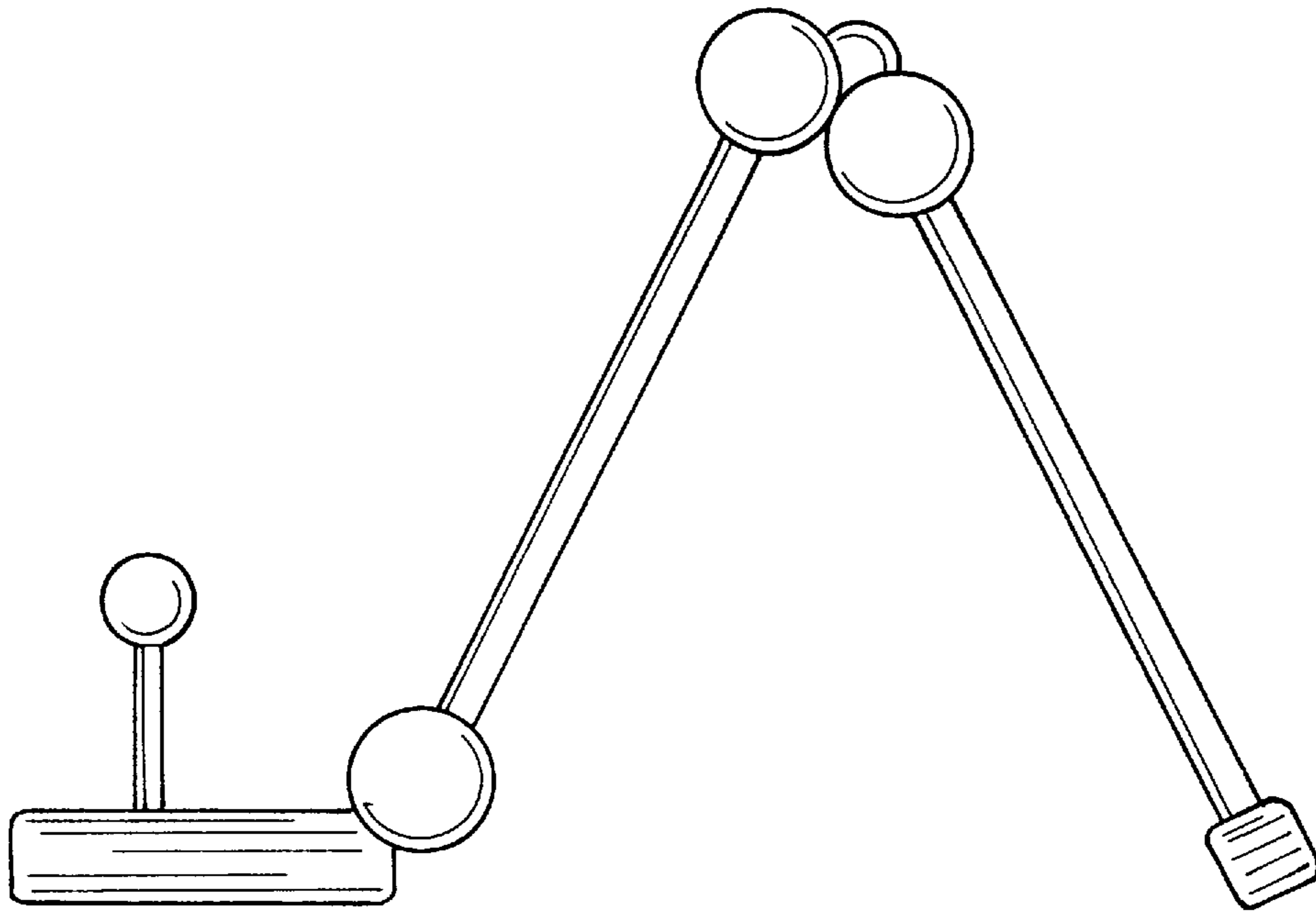


FIG. 5

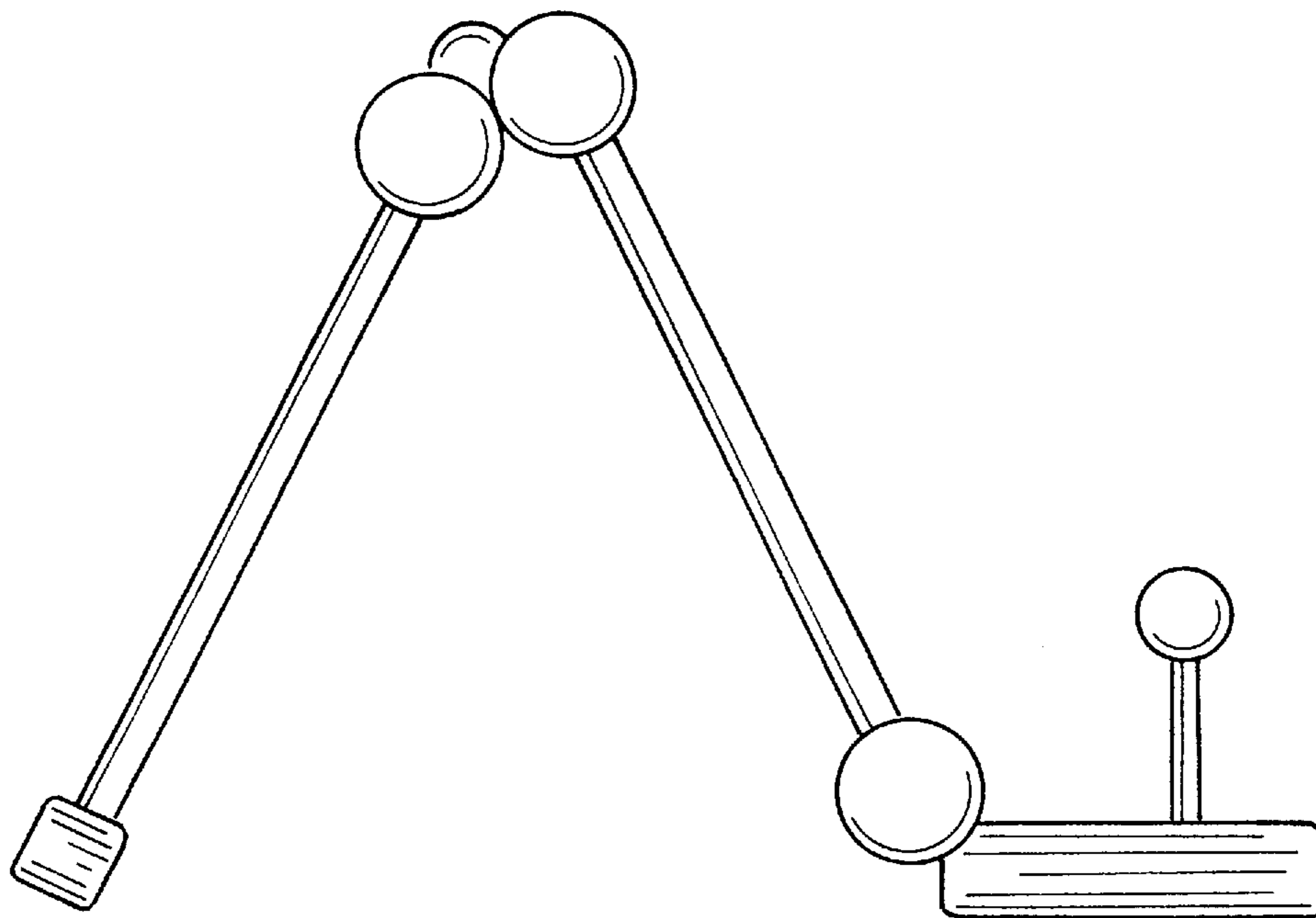


FIG. 6