



US00D404931S

United States Patent [19] Duggan

[11] Patent Number: **Des. 404,931**

[45] Date of Patent: ****Feb. 2, 1999**

[54] **FOLDABLE BOOK STAND**

[76] Inventor: **J. Edmund Duggan**, 1987 Dellwood Dr., Atlanta, Ga. 30309

[**] Term: **14 Years**

[21] Appl. No.: **70,512**

[22] Filed: **May 9, 1997**

[51] **LOC (6) Cl.** **06-04**

[52] **U.S. Cl.** **D6/419; D6/314; D6/429**

[58] **Field of Search** D6/300-314, 406.1-406.6, D6/419, 420; D19/88, 90, 91; 248/441.1, 451, 452, 454, 455, 457, 460-465, 448, 449

[56] **References Cited**

U.S. PATENT DOCUMENTS

D. 167,948	10/1952	McKenna	D6/419	X
D. 220,911	6/1971	McGrady	D6/314	
D. 271,501	11/1983	Manning et al.	D6/314	
D. 320,319	10/1991	Brothers et al.	D6/419	

D. 329,762	9/1992	Weeks	D6/419	
D. 354,520	1/1995	Pong	D19/88	
D. 358,271	5/1995	Leveen et al.	D6/419	
D. 358,611	5/1995	Dainoff et al.	D19/88	
D. 367,377	2/1996	Langton et al.	D6/419	
3,809,352	5/1974	Mathias	248/451	
5,651,525	7/1997	Yang	248/456	

Primary Examiner—Carmen H. Vales-Lado

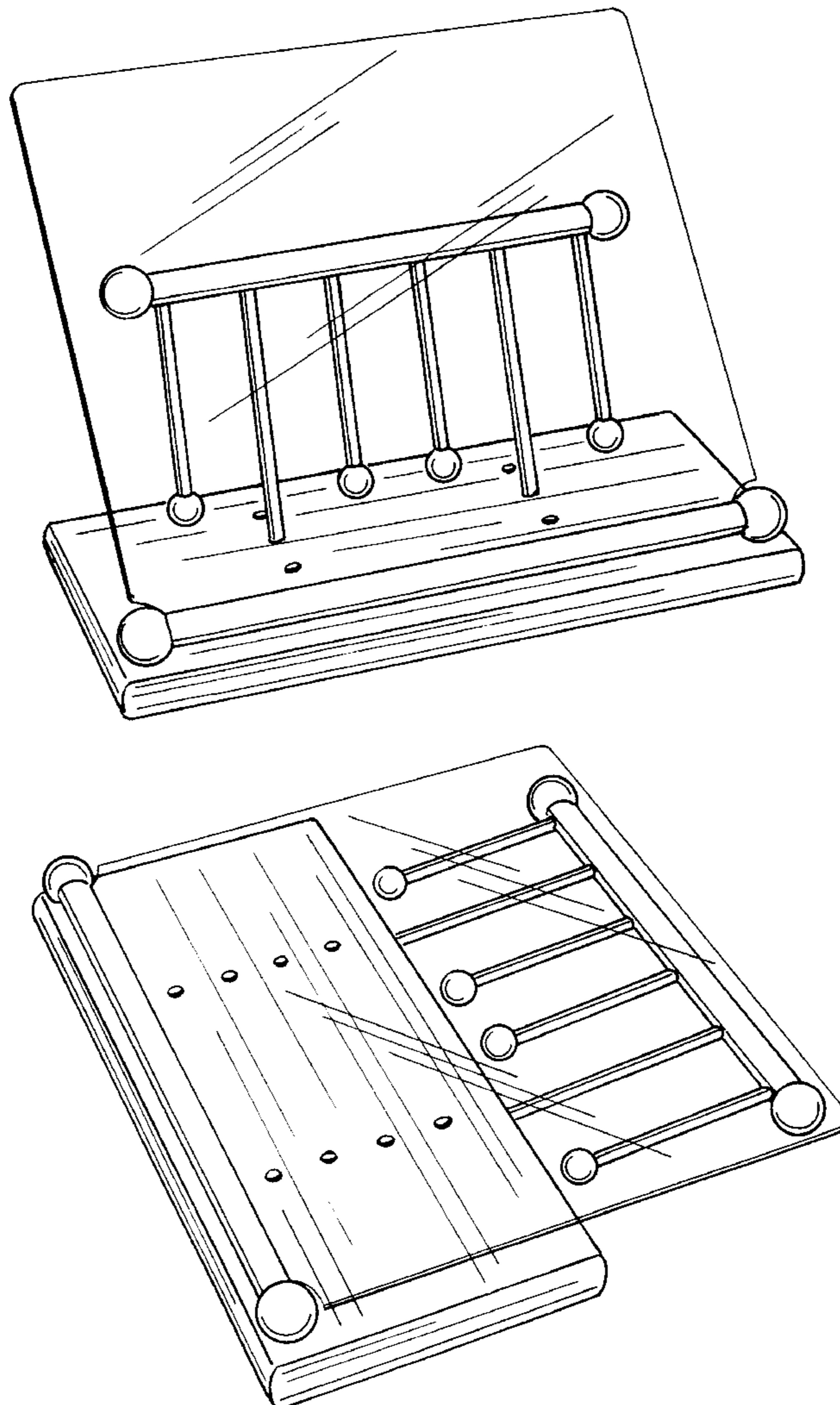
[57] **CLAIM**

The ornamental design for a foldable book stand, as shown.

DESCRIPTION

FIG. 1 is a front, left perspective view of a foldable book stand showing my new design;
 FIG. 2 is a front, right perspective view in folded position;
 FIG. 3 is a front elevational view of FIG. 1;
 FIG. 4 is a rear elevational view;
 FIG. 5 is a right side elevational view; and,
 FIG. 6 is a left side elevational view.

1 Claim, 3 Drawing Sheets



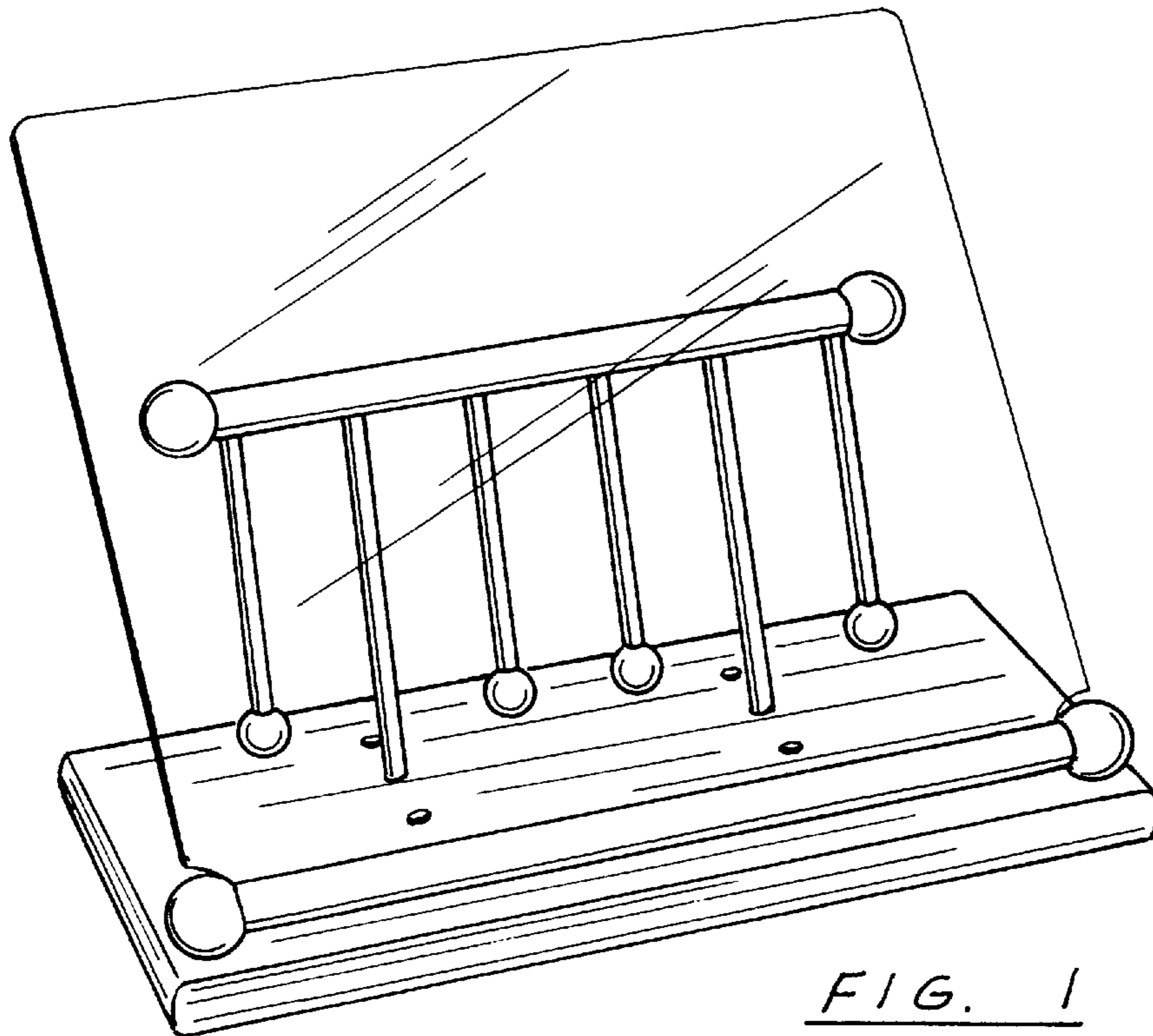


FIG. 1

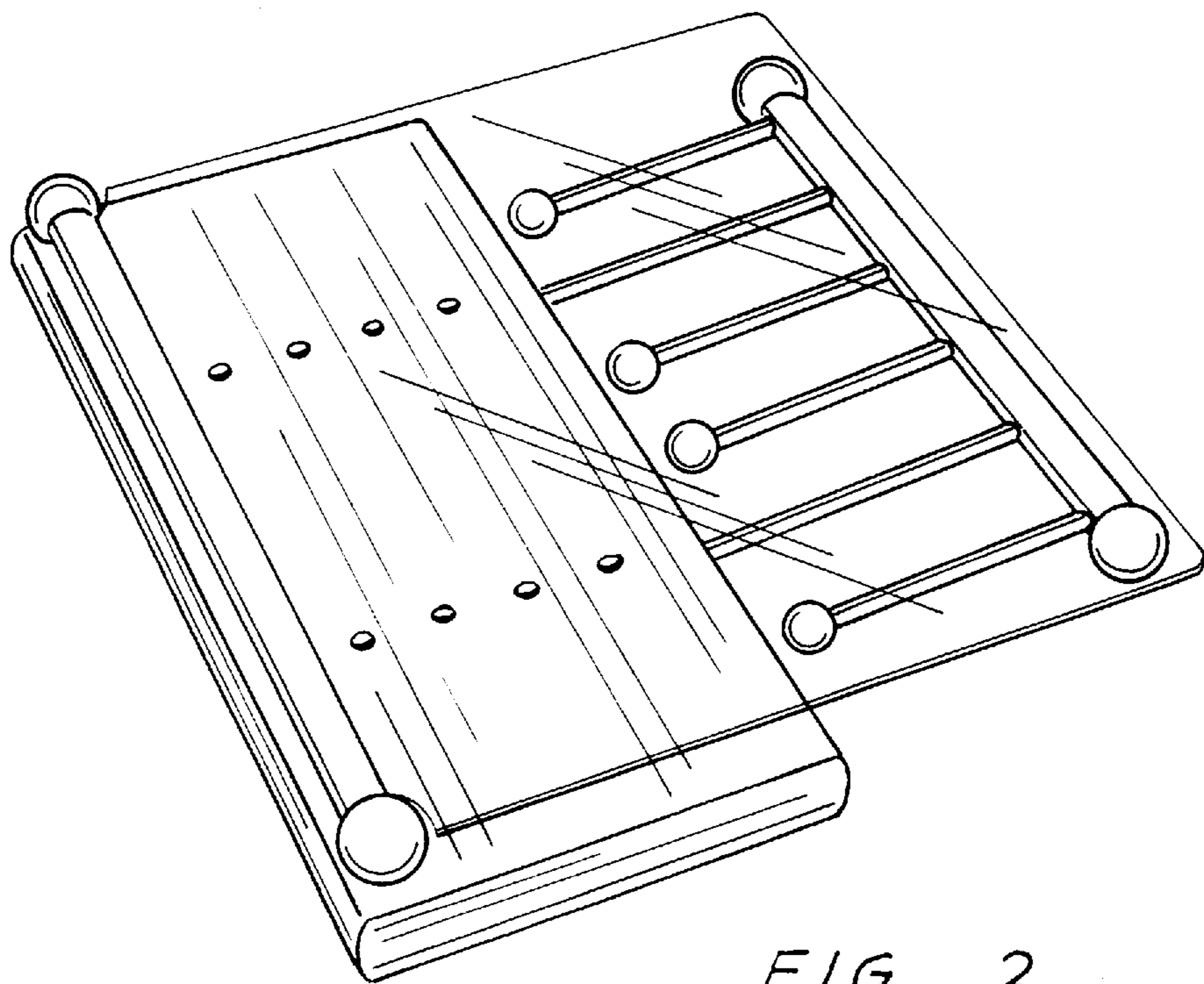


FIG. 2

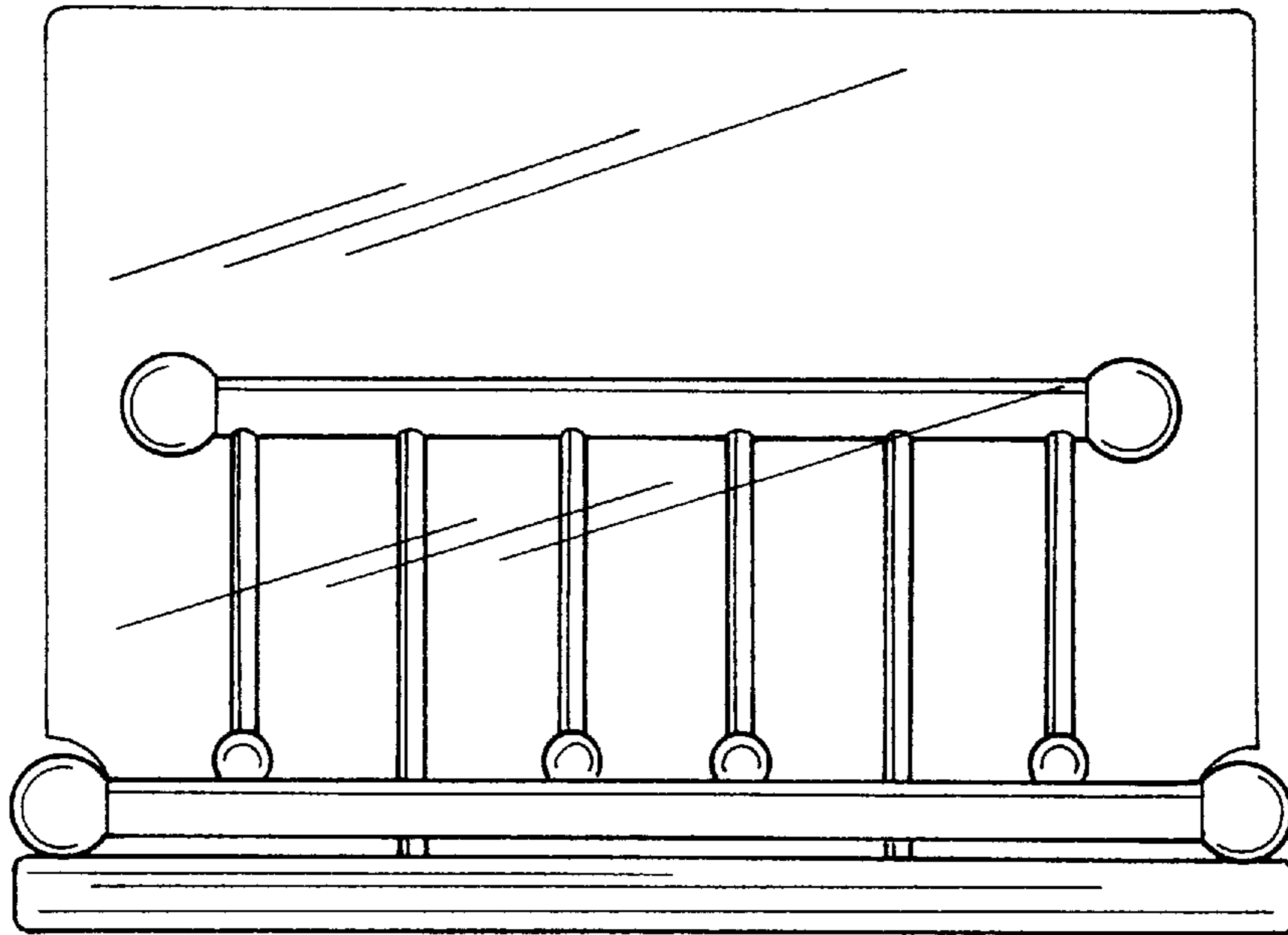


FIG. 3

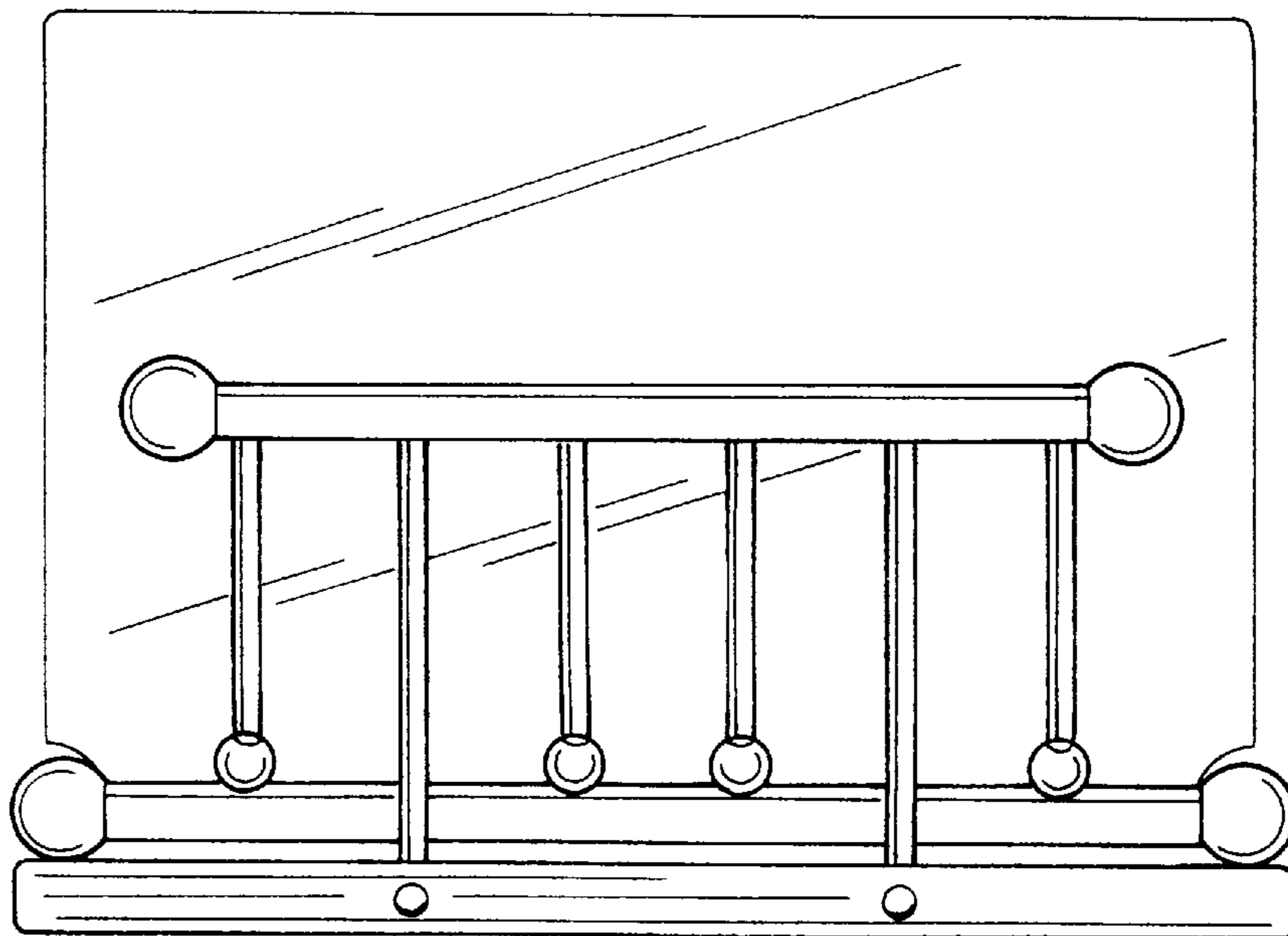


FIG. 4

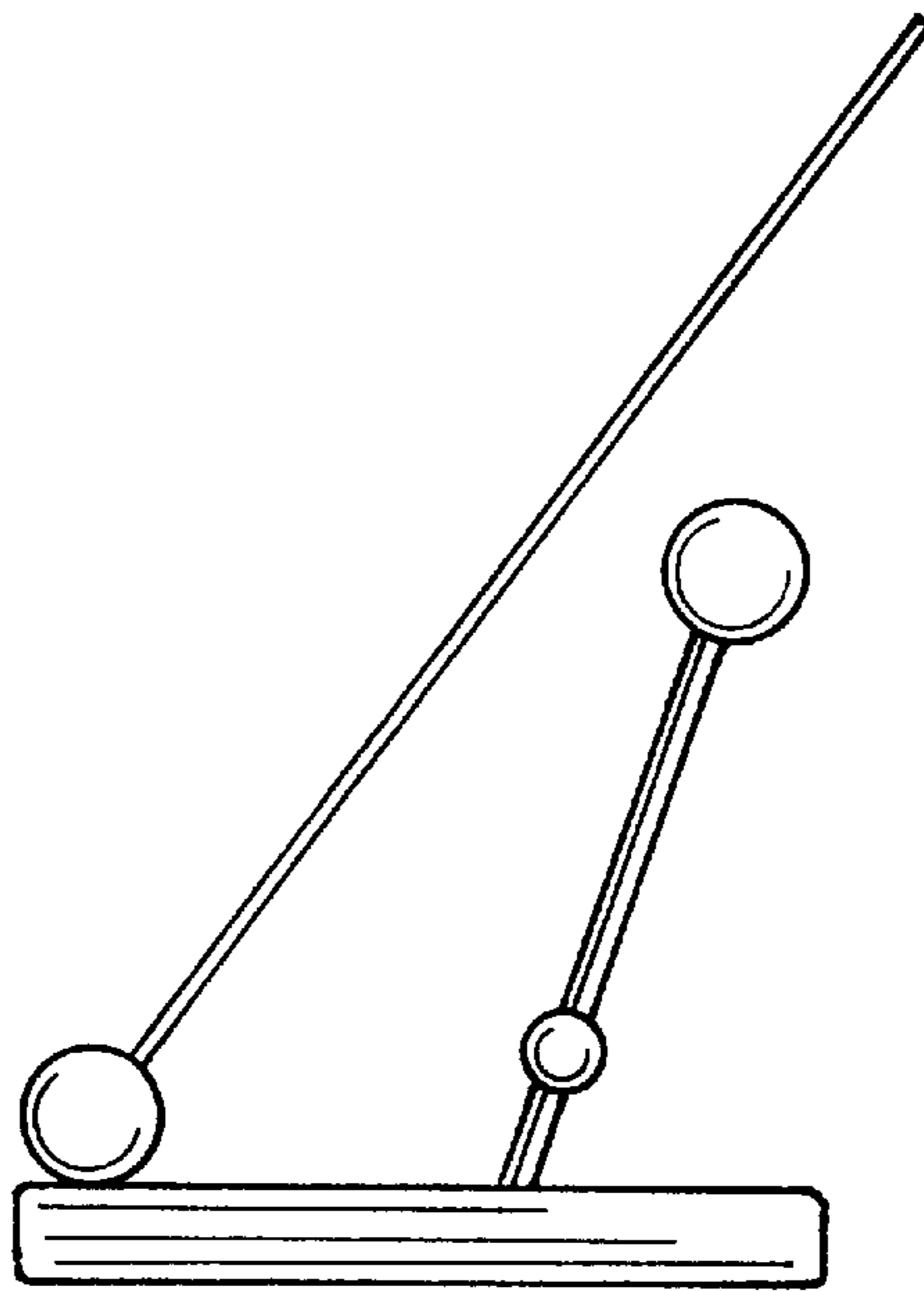


FIG. 5

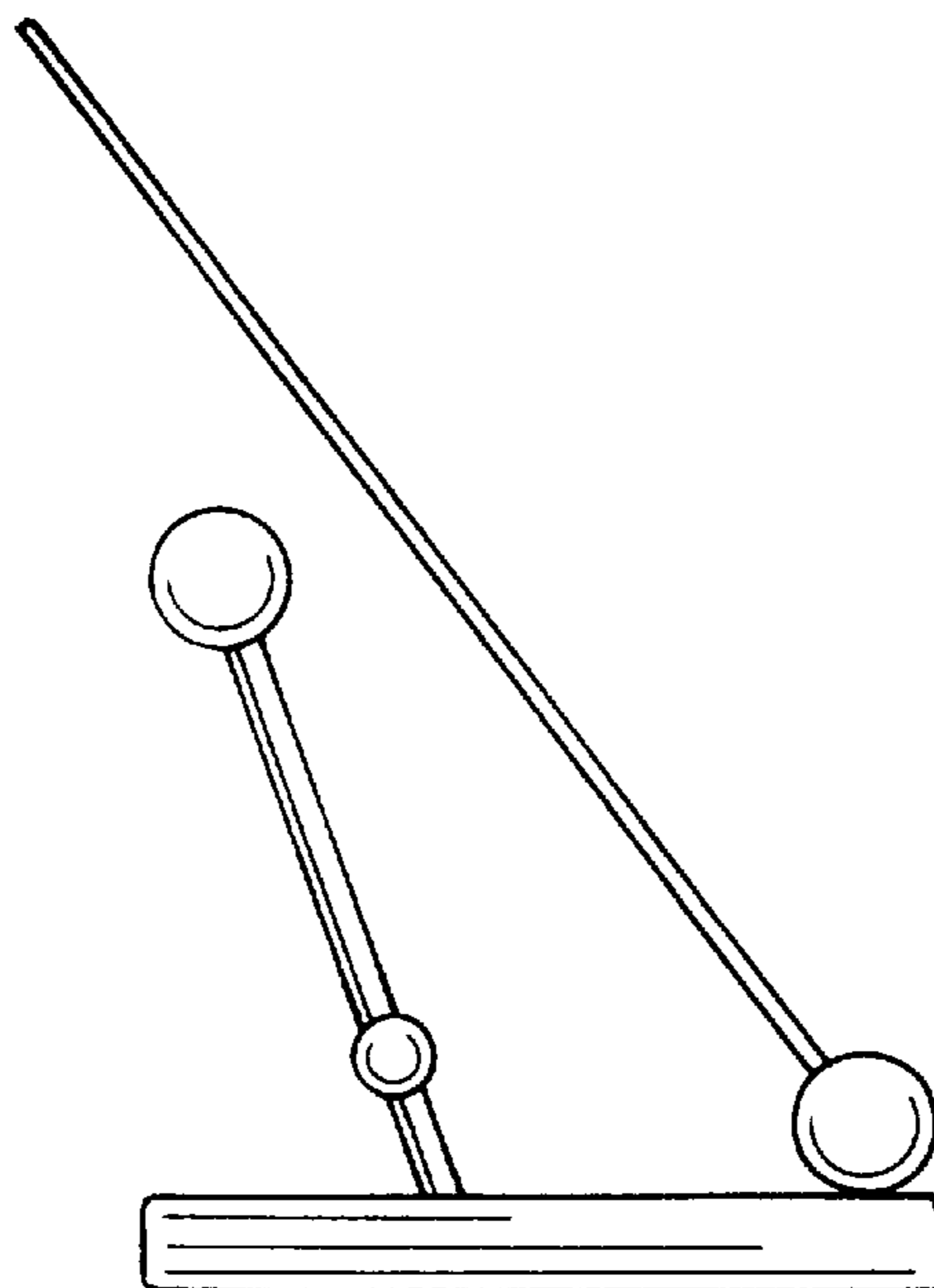


FIG. 6