



US00D404924S

United States Patent [19] Schmidt

[11] **Patent Number: Des. 404,924**

[45] **Date of Patent: **Feb. 2, 1999**

[54] **DRIPLESS TOILET BRUSH**

[76] Inventor: **Arnold Schmidt**, Rte. 4, Box 675,
Angleton, Tex. 77515

[**] Term: **14 Years**

[21] Appl. No.: **78,581**

[22] Filed: **Oct. 16, 1997**

[51] **LOC (6) Cl. 04-01**

[52] **U.S. Cl. D4/121; D4/128; D32/51**

[58] **Field of Search D4/121, 127, 128,
D4/130, 132, 135, 137, 138; D32/40, 50,
51; 15/143.1, 144.1, 159.1, 160, 119.1,
119.2, 120.2, 164, 165, 211**

[56] **References Cited**

U.S. PATENT DOCUMENTS

265,319	10/1882	Howell, Jr.	15/188 X
D. 334,095	3/1993	Beets et al.	D32/40 X
1,709,622	4/1929	Justis	15/120.2

4,700,423	10/1987	Zuliani	15/160
5,440,775	8/1995	Banks	15/164 X
5,537,777	7/1996	Geeting	15/119.1 X

Primary Examiner—Alan P. Douglas
Assistant Examiner—Lavone D. Tabor
Attorney, Agent, or Firm—Mark B. Jones

[57] CLAIM

The ornamental design for a dripless toilet brush, as shown and described.

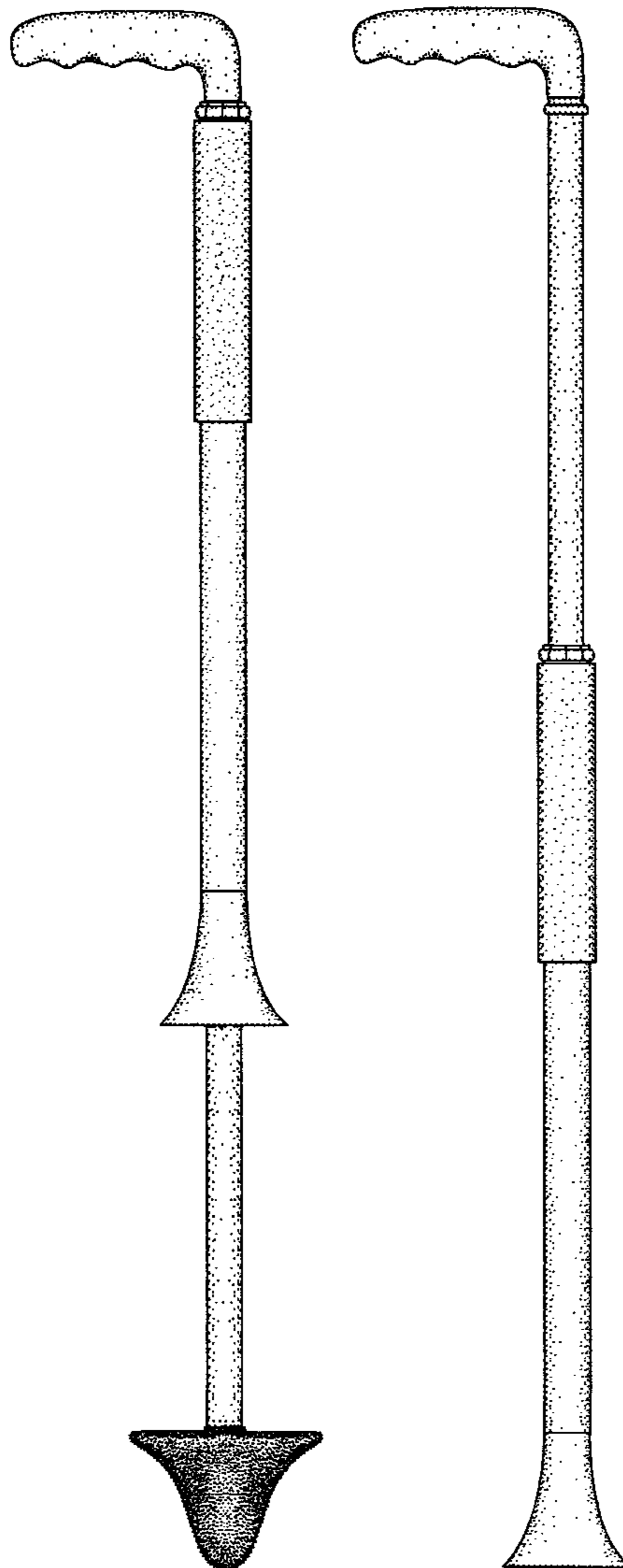
DESCRIPTION

FIG. 1 is a side elevational view of a dripless toilet brush showing my new design, the opposite side being a mirror image; and,

FIG. 2 is a side elevational view thereof with the handle shown in the position of housing the brush.

The front, rear, top and bottom of the toilet brush form no part of the claimed design.

1 Claim, 1 Drawing Sheet



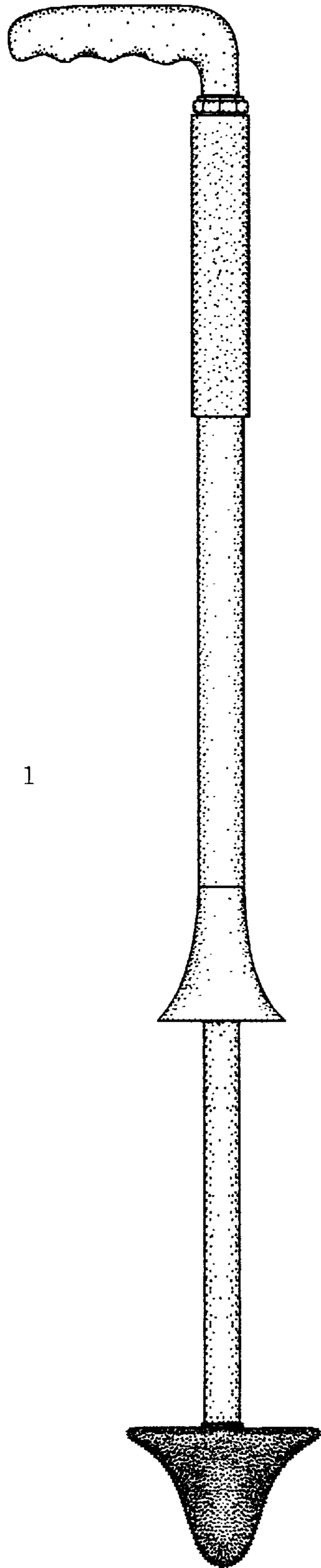


Fig. 1

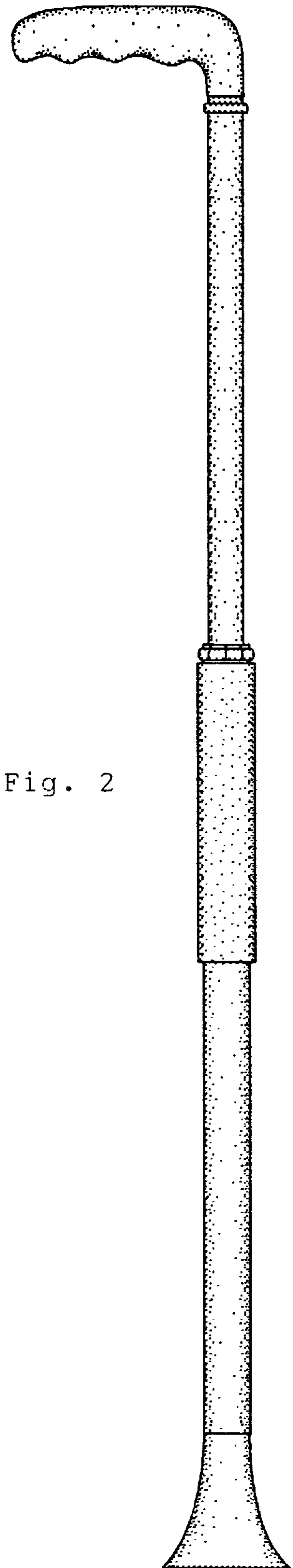


Fig. 2